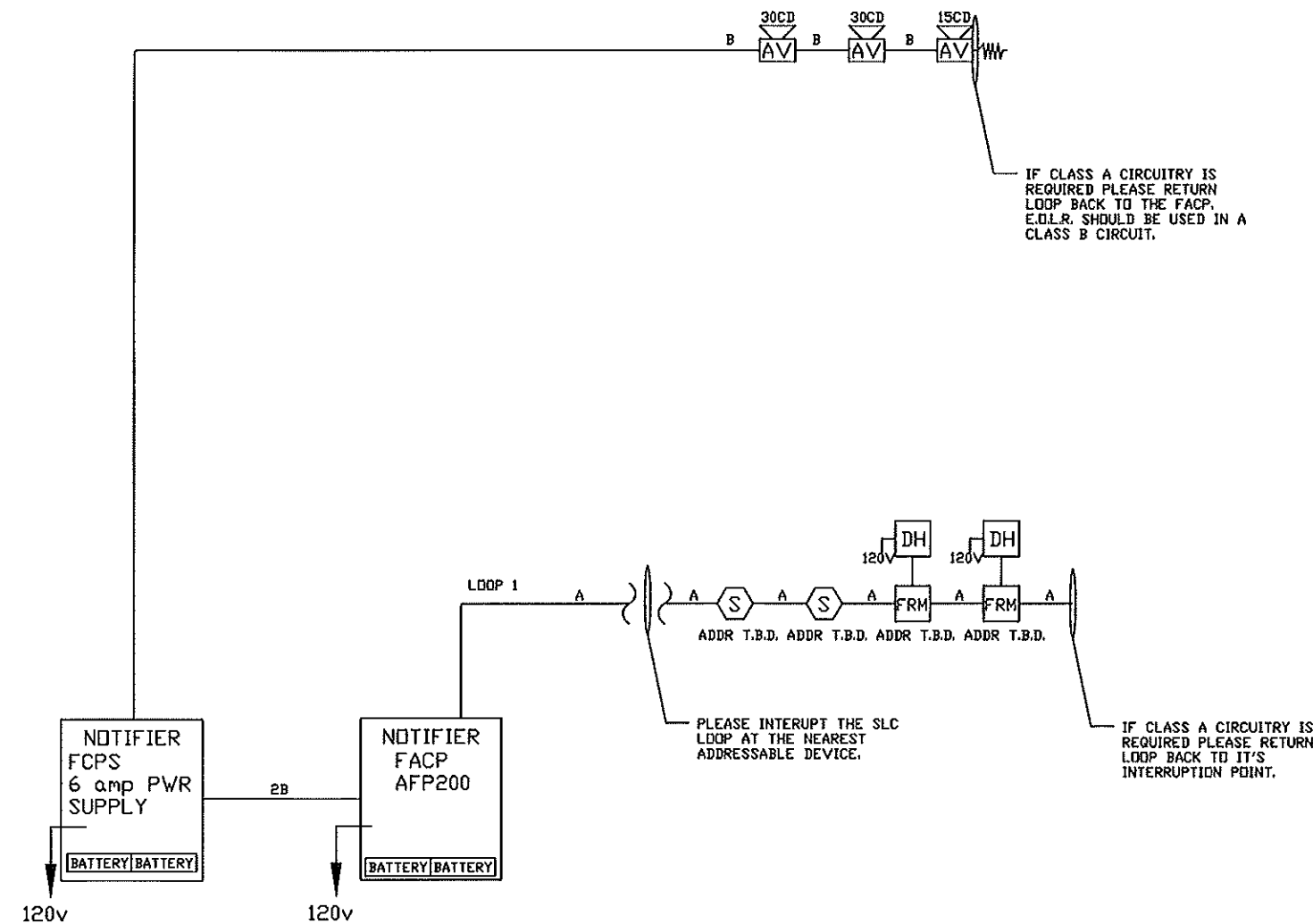


Important! Wiring connections must have correct polarity.



LEGEND

- MOUNTING HEIGHT
- 48 INCHES
 - PS PULL STATION
 - S SMOKE DETECTOR
 - R HEAT DETECTOR RATE OF RISE
 - F HEAT DETECTOR FIXED TEMP
 - RT REMOTE TEST/INDICATOR
 - DS DUCT SMOKE DETECTOR Note: Remove J1 Jumper
 - 80 INCHES
 - VD VISUAL ONLY
 - AV AUDID / VISUAL
 - 80 INCHES
 - DSM DUAL SYNC MODULE
 - DH DDCR HOLDER 120V AC
 - FMM MONITOR MODULE
 - FRM RELAY MODULE
 - STS SPRINKLER TAMPER
 - SFS SPRINKLER FLOW

This drawing is a typical device layout, wiring is shown diagrammatically only. Riser does not necessary indicate all devices and appliances. See floor plans and specification for location and quantities. The purchaser needs to accurately layout the initiating and notification devices in their proper zones/circuit. Note: Signal circuit No.1 has a 2.5 amp load limitation and signal circuits 2-4 have a combined load limitation of 2.5 amps. All REMOTE power supply have 8.0 amps limitation equally divided 4 in circuits. (see chart below for current vs. candela rating)

Room Size	Candela Rating	Load (amps)
20' x 20'	15 cd	0.08 amps
30' x 30'	30 cd	0.10 amps
40' x 40'	75 cd	0.15 amps
50' x 50'	110 cd	0.20 amps

- 4.7k END OF LINE RESISTOR (Panel Circuits)
- A 1 PR #14 TWISTED PAIR (under 4800 total feet)
 - A 1 PR #12 TWISTED PAIR (over 4800 total feet)
 - B 1 PR #12 AWG FPL CABLE
 - D 1 PR #16 AWG FPL CABLE
 - E 1 PR #14 AWG TWISTED SHIELDED CABLE
 - F 2c #12 AWG CABLE
 - G 2c #14 AWG CABLE
 - H 2c #16 AWG CABLE
 - I 2c #18 AWG CABLE
 - S 4c #18 AWG CABLE

REVISION 2	DATE:
REVISION 1 ADDED POWER SUPPLY	DATE: 1/7/13
REVISION 0 SUBMITTAL	DATE: 12/3/12

SYSTEM WIRING RISER	
PROJECT NAME	SCALE NTS
Luther Bonney Adds GORHAM, MAINE	BY: CJC
NORRIS INC. P.O BOX 2551, SOUTH PORTLAND, MAINE 04116 2257 BROADWAY, So PORTLAND, MAINE	CK BY:
	SAVED AS:

Important! All electronic devices MUST be place in a heated room with temperature above 32 deg F.(ex. FMM, FRM, addressable smoke, addressable heat detectors.