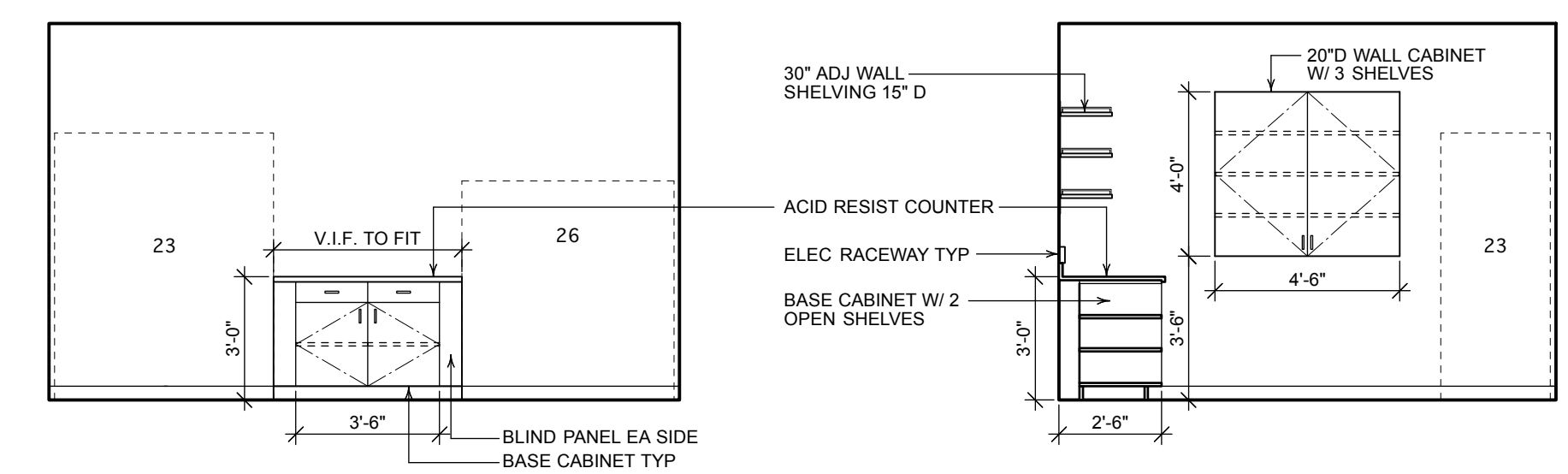


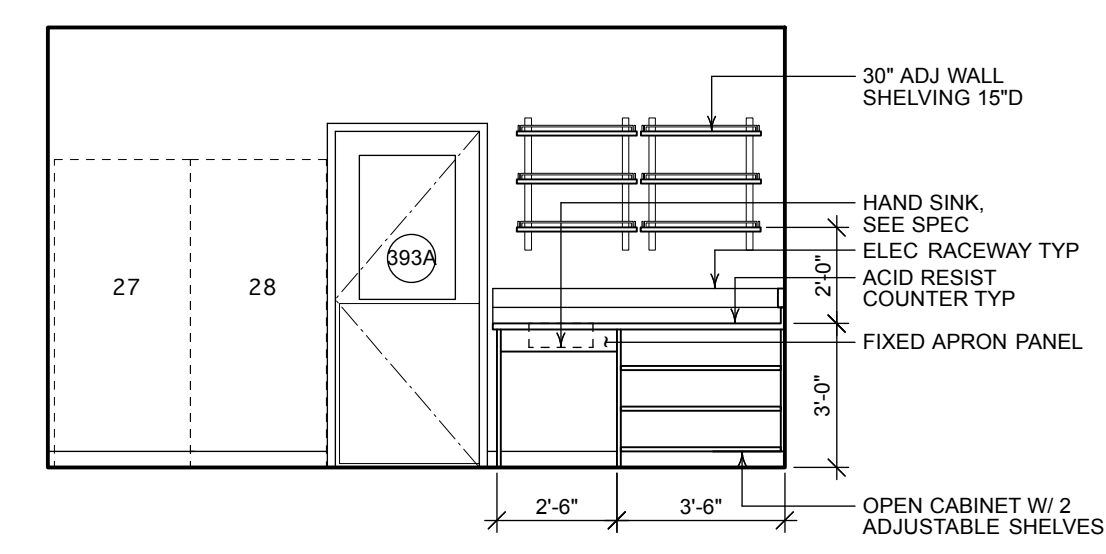
REVISIONS	DESCRIPTION	DATE	BY

Date:	3/28/2014
Drawn By:	WGC
Checked By:	REH
Project Mgr:	IAM
Project No.:	14003
Cad File:	HKTA 2014001
Graphic Scale:	1" = 1'-0"

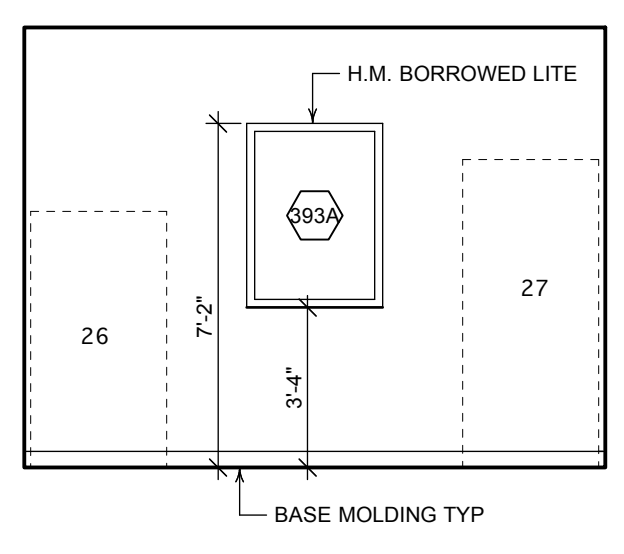
INTERIOR ELEVATIONS  
THIRD FLOOR  
UNIVERSITY OF SOUTHERN MAINE BIO-SCIENCE  
-THIRD FLOOR LAB RENOVATION - BIOLOGY  
PORTLAND, MAINE



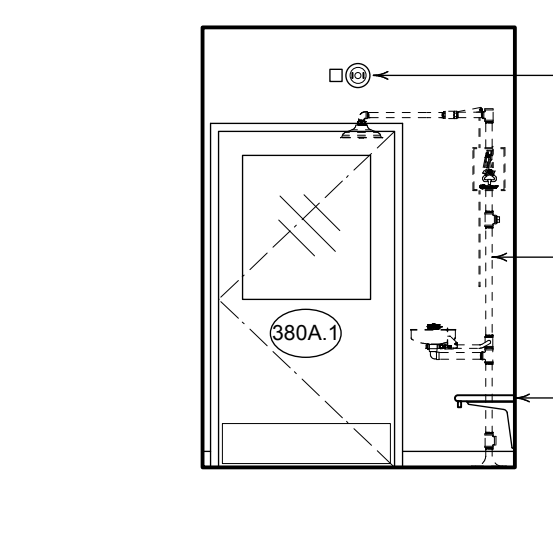
13 WEST ELEV C393A  
Scale: 1/4" = 1'-0"



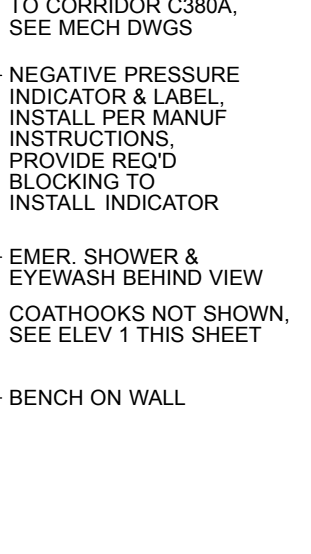
12 SOUTH ELEV C393A  
Scale: 1/4" = 1'-0"



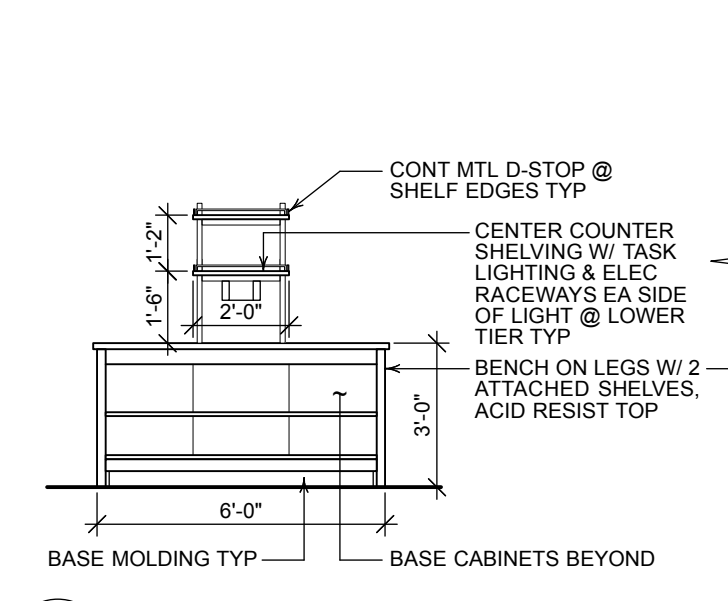
11 EAST ELEV C393A  
Scale: 1/4" = 1'-0"



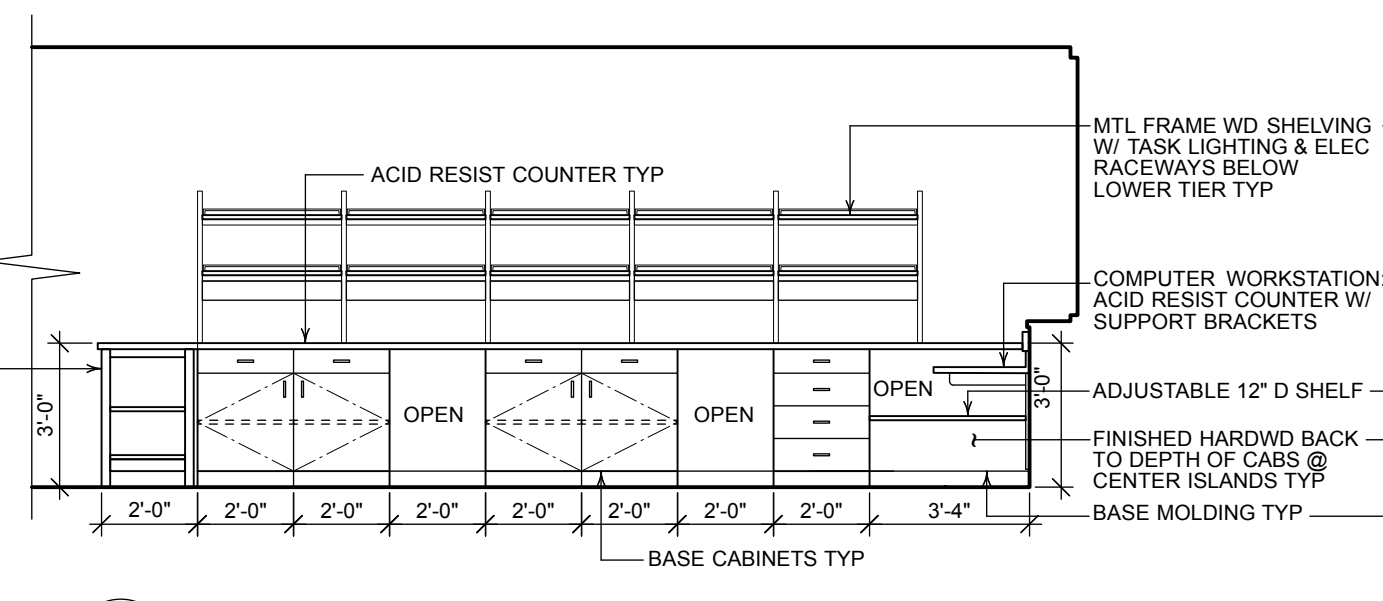
10 NORTH ELEV C393A  
Scale: 1/4" = 1'-0"



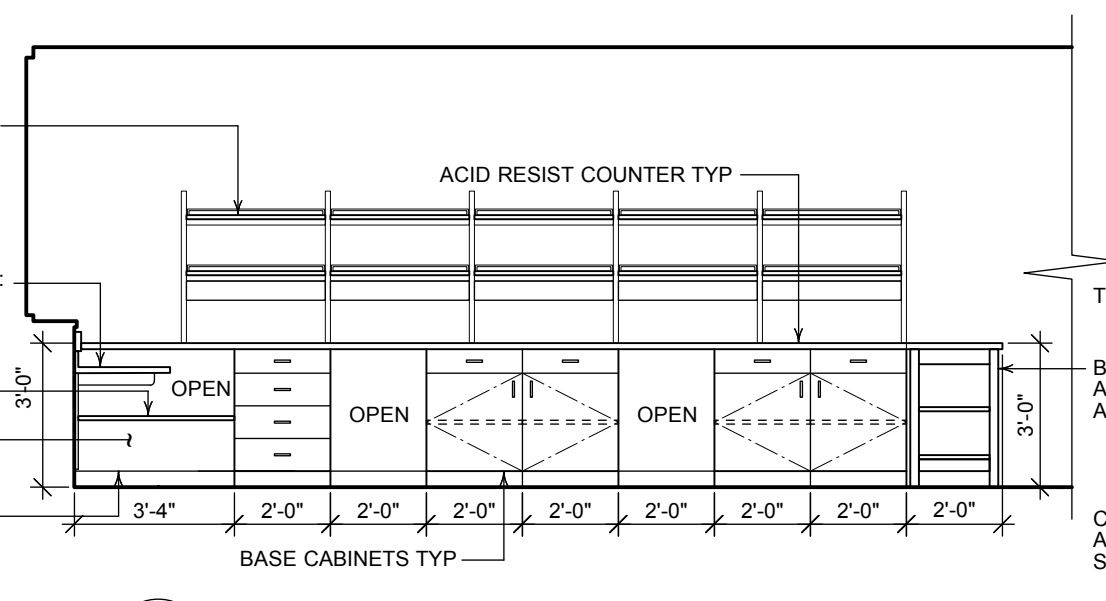
9 AIRFLOW @ DOOR 380A.1  
Scale: 1/4" = 1'-0"



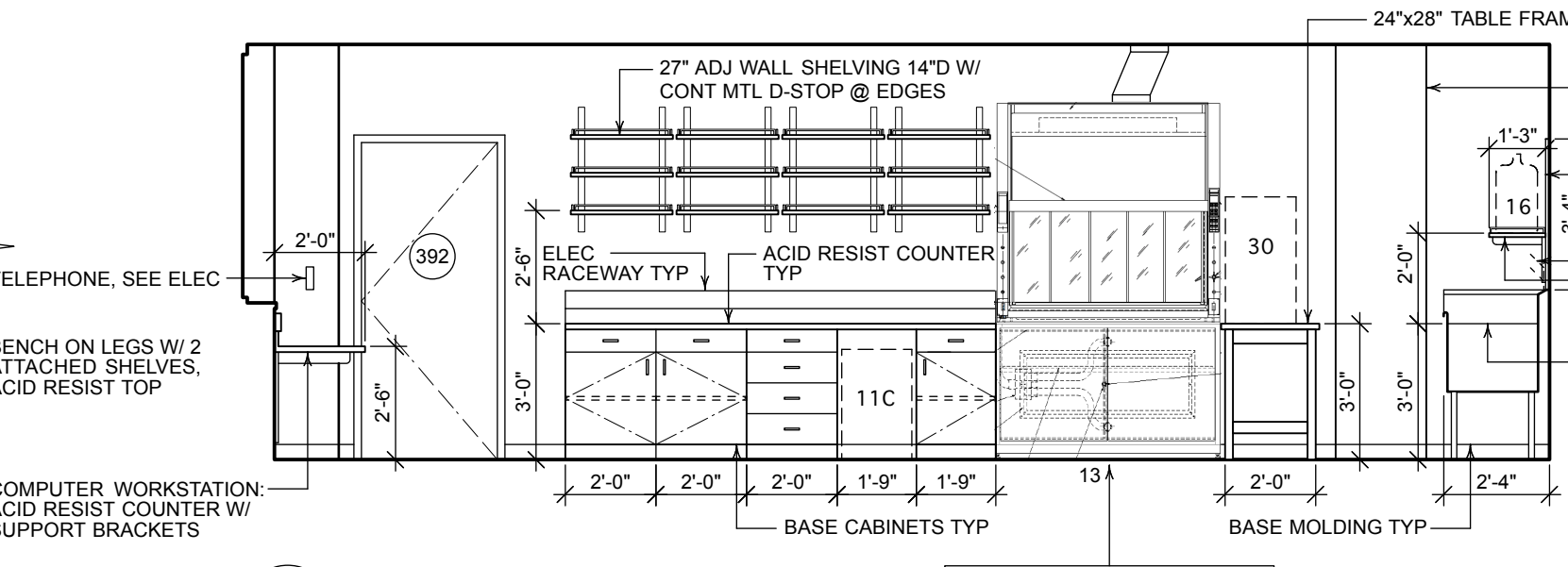
8 END OF CENTER ISLAND BENCH  
Scale: 1/4" = 1'-0"



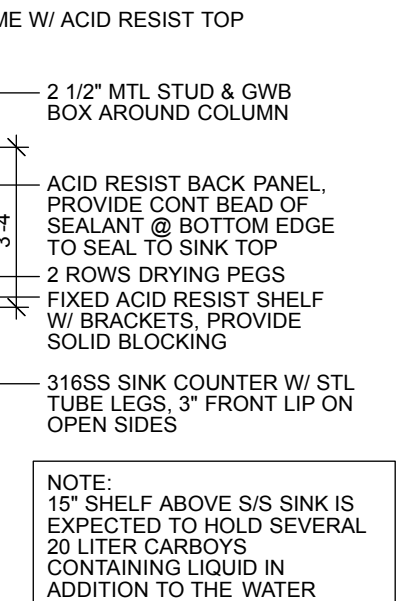
7 CENTER ISLAND SOUTH SIDE C393  
Scale: 1/4" = 1'-0"



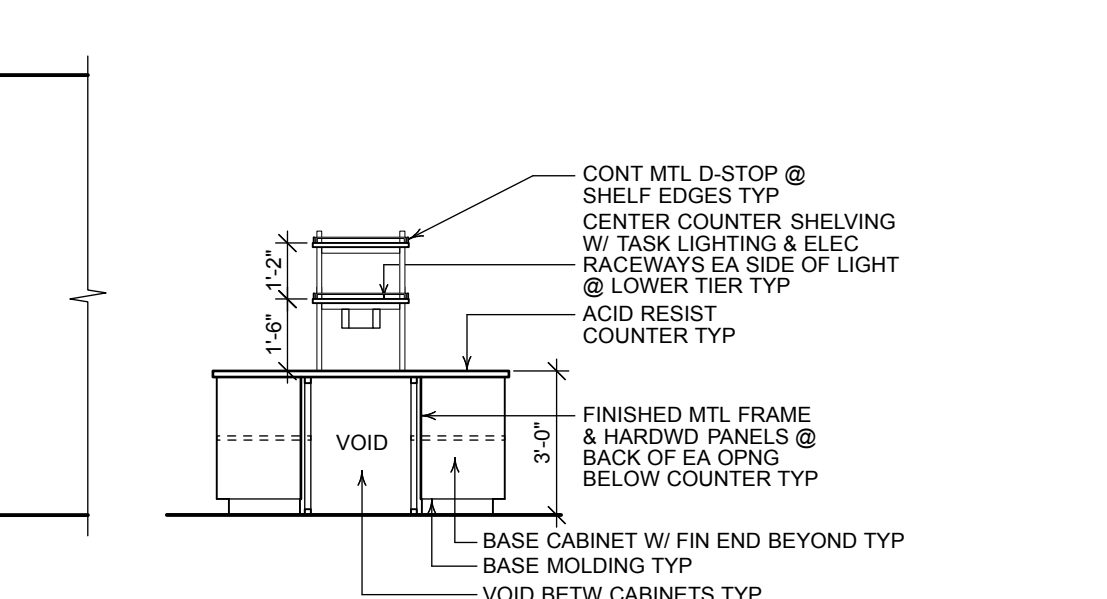
6 CENTER ISLAND NORTH SIDE C393  
Scale: 1/4" = 1'-0"



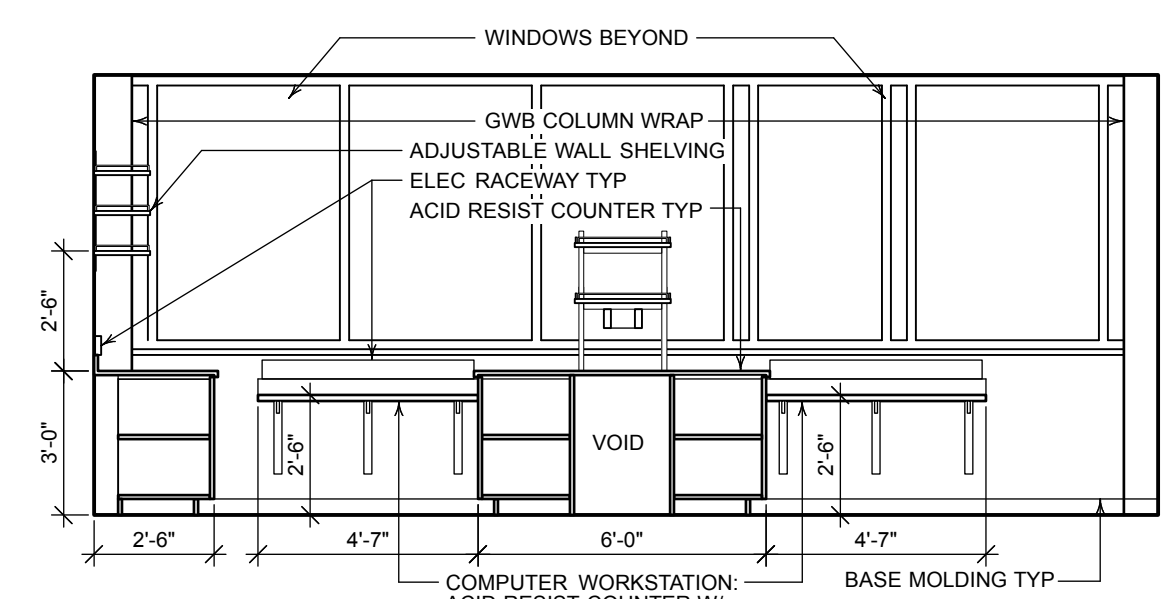
5 SOUTH ELEV C393  
Scale: 1/4" = 1'-0"



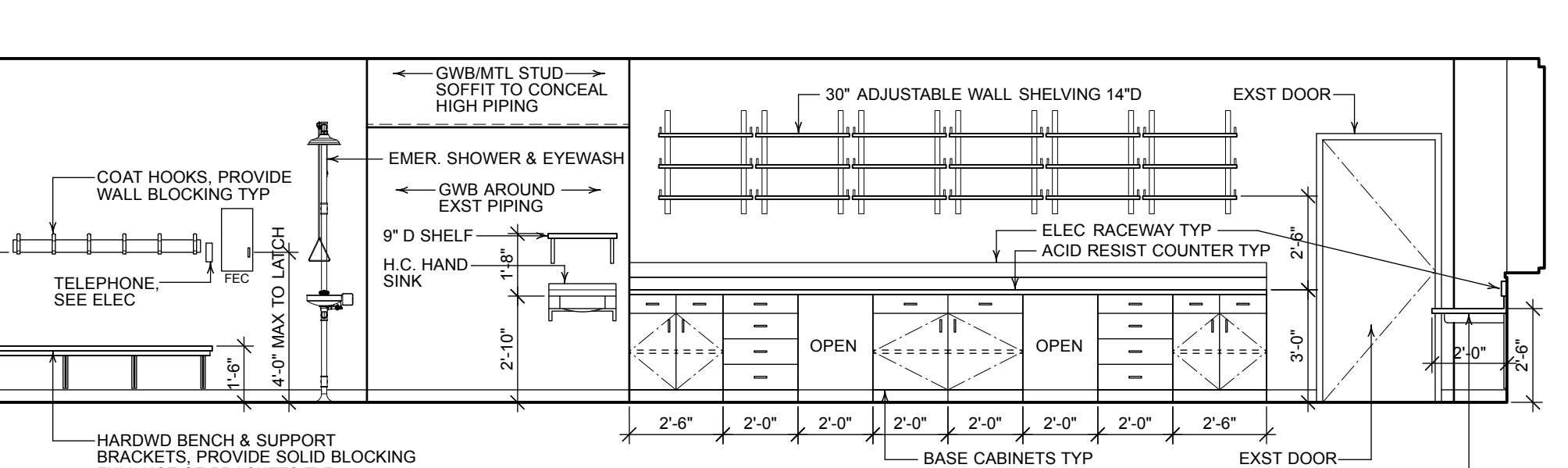
4 WEST ELEV C393  
Scale: 1/4" = 1'-0"



3 SECTION THRU ISLAND COUNTER @ KNEE SPACE  
Scale: 1/4" = 1'-0"



2 EAST ELEV C393  
Scale: 1/4" = 1'-0"



1 NORTH ELEV C393  
Scale: 1/4" = 1'-0"

