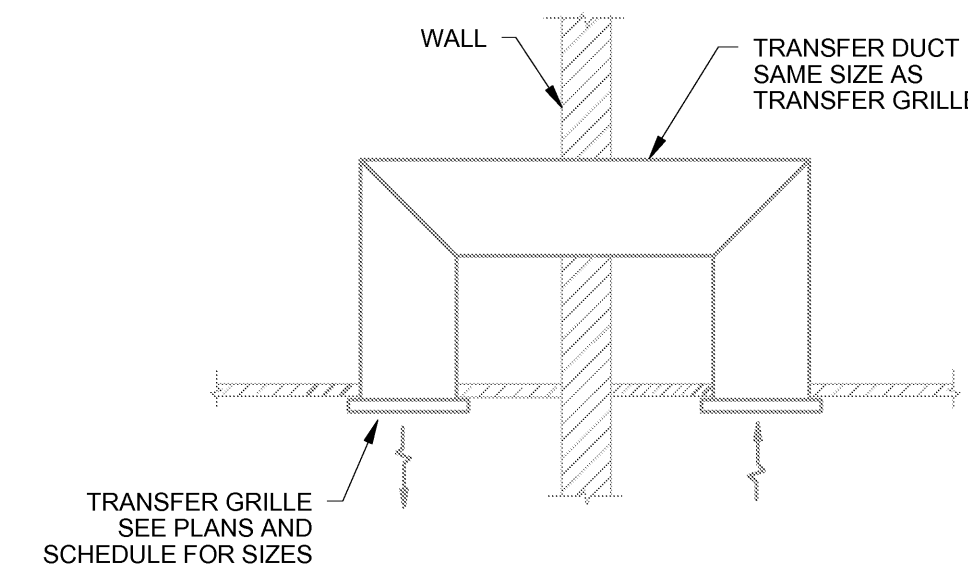
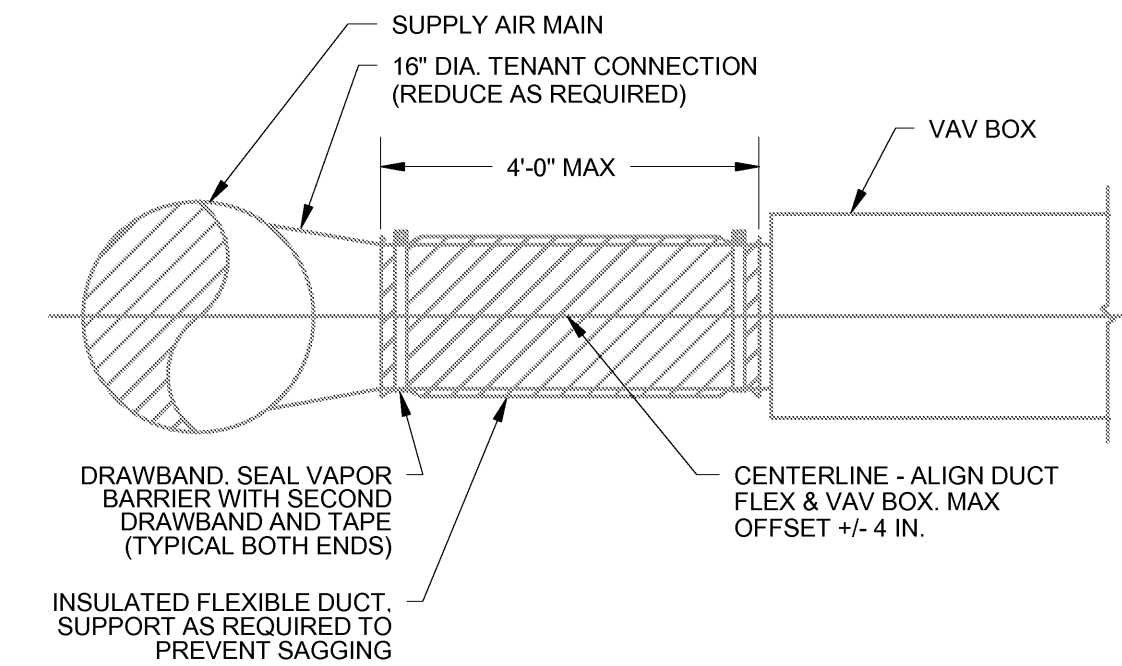


1 FLEXIBLE CONNECTION
NO SCALE



2 TRANSFER DUCT
NO SCALE



3 TYPICAL VAV BOX CONNECTION
NO SCALE

REGISTERS, GRILLES, AND DIFFUSERS

TAG	MANUFACTURER	MODEL	TYPE	NECK SIZE (IN.)	DIRECTION OF BLOW	NC	SP (IN. WG)	THROW (FT)	TYPE	DAMPER	FINISH	BORDER	NOTES
S-1	TITUS	TDC	CEILING DIFFUSER	6x6	SEE PLANS	23	0.15	7 - 11		NONE	BAKED ENAMEL WHITE	TYPE 3 (24"x 24" LAY-IN)	
TRANSFER GRILLE	TITUS	50F	TRANSFER GRILLE	6x6	---	20	0.08	---	GRID CORE	NONE	BAKED ENAMEL WHITE	TYPE 1 (SURFACE MOUNT)	1/2"x1/2"x1/2" GRID
R-1	TITUS	50F	RETURN GRILLE	14x14	---	20	0.08	---	GRID CORE	NONE	BAKED ENAMEL WHITE	TYPE 1 (SURFACE MOUNT)	1/2"x1/2"x1/2" GRID

VAV BOXES

TAG	MANUFACTURER	MODEL	SERVICE	INLET (IN.)	COOLING AIRFLOW (CFM)	MINIMUM AIRFLOW (CFM)	APD (IN. WG)	DISCHARGE NC	RADIATED NC
VAV00-01	METALAIRE	TH-500	242 SUITE	10	920	275	0.08	27	25

GENERAL NOTES

- VISIT THE BUILDING SITE PRIOR TO BIDDING TO BECOME FAMILIAR WITH EXISTING CONDITIONS, AND TO TAKE MEASUREMENTS AS NECESSARY FOR COMPLETION OF THE WORK ASSOCIATED WITH THE DESIGN INTENT OF THESE CONTRACT DOCUMENTS.
- COORDINATE WORK OF MECHANICAL SUBCONTRACTOR WITH WORK OF OTHER TRADES.
- EQUIPMENT AND DUCTWORK ARE DIAGRAMATIC. FIELD VERIFY LOCATIONS.
- DDC BUILDING CONTROLS SHALL BE DELTA PROVIDED AND INSTALLED BY IB CONTROLS, 3 POPE ROAD, WINDHAM, ME. NO OTHER SUBSTITUTIONS WILL BE PERMITTED.
- IB CONTROLS SHALL PROVIDE A MINIMUM OF CAT 6 FOR ALL DATA CABLE.
- IB CONTROLS SHALL INCLUDE ALL PROGRAMMING AND CHANGES TO THE EXISTING GRAPHIC INTERFACE AS NECESSARY TO ACCOMMODATE THE CHANGES AS NOTED ON THE DRAWINGS.
- CONTROL SEQUENCE FOR THE NEW TERMINAL UNIT SHALL BE THE SAME AS THE EXISTING TERMINAL UNITS.
- MOUNT TEMPERATURE SENSORS 48" AFF TO CENTERLINE OF ITEM.

HARRIMAN
Architects + Engineers

16 Harriman Drive
Auburn, ME 04210
207.784.5100 tel

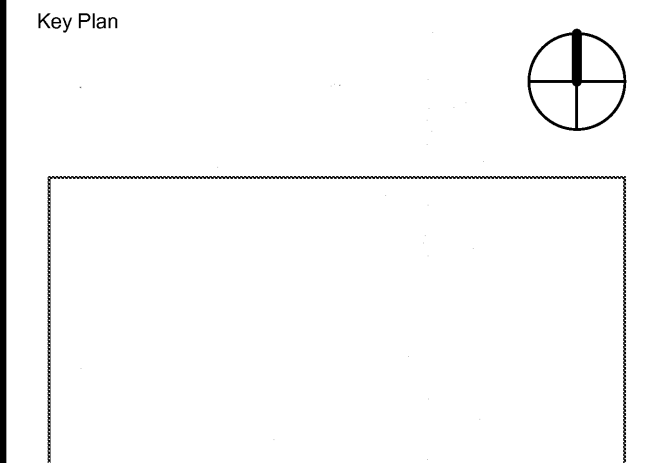
123 Middle Street
Portland, ME 04101
207.775.0053 tel

One Perimeter Road
Manchester, NH 03103
603.626.1242 tel

www.harriman.com
© 2012

Project Title
USM LUTHER BONNEY HALL 2ND FLOOR RENOVATION
Portland, Maine

Harriman Project No. 12677



Drawing Scales	
1/8" = 1'-0"	---
---	---
---	---

Mark	Date	Description
-	10-15-12	ISSUED FOR BID

Issue Dates

Drawing Status

Drawing Title
DETAILS, SCHEDULES AND NOTES

PA / PE: CG Drawn By: JSL

Drawing Number

M30.1