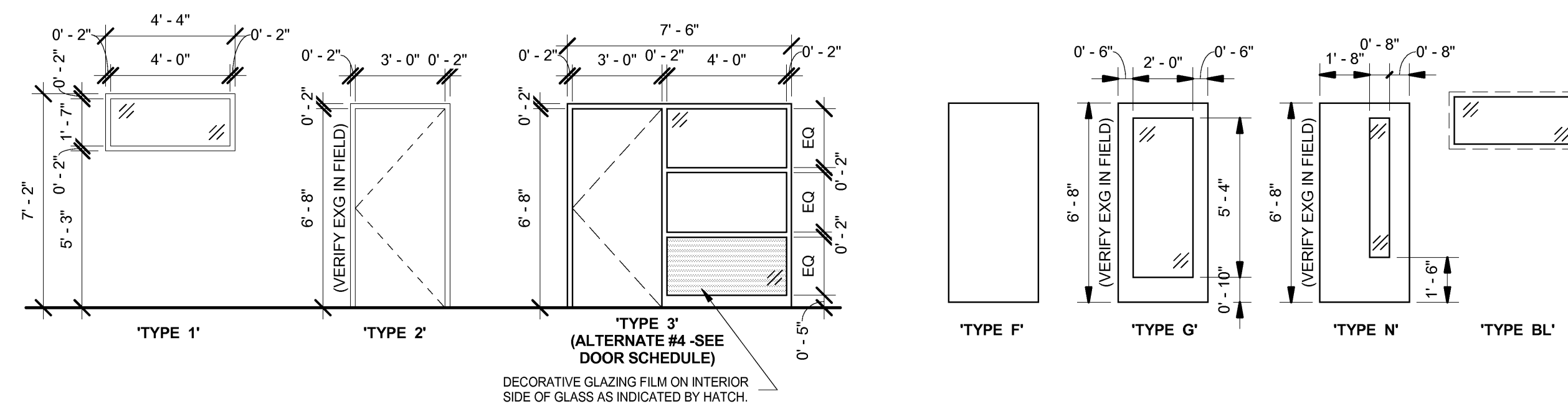


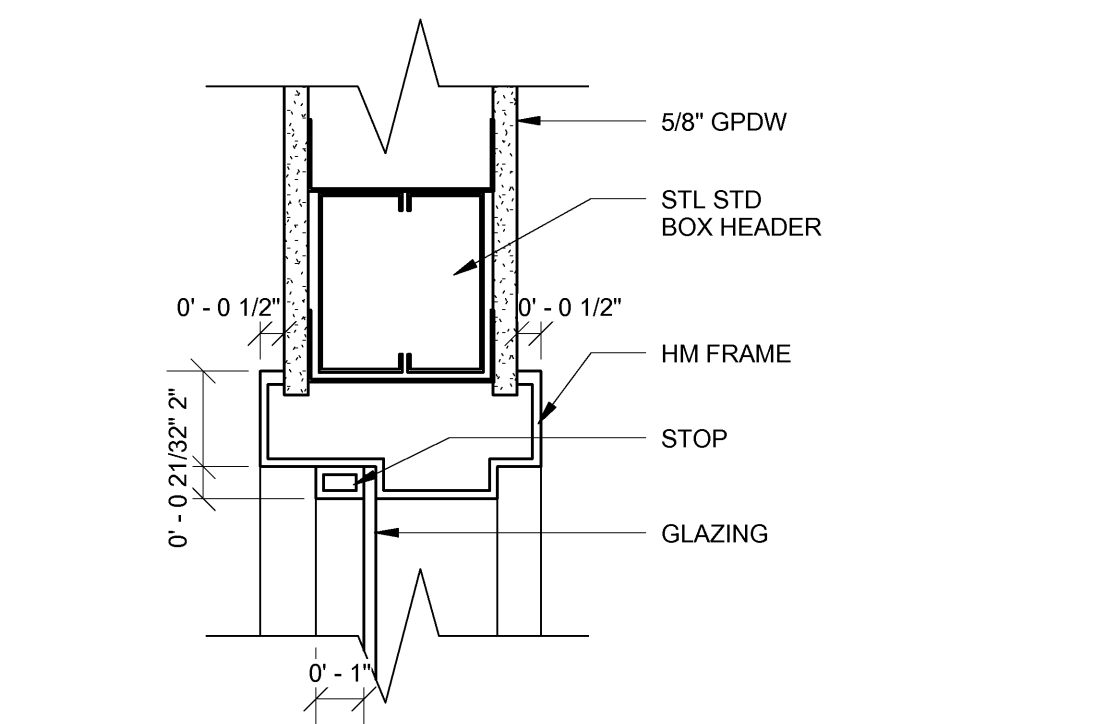
DOOR SCHEDULE											
DOOR	DOOR			FRAME				Fire Rating	Comments		
	WIDTH	HEIGHT	MAT'L	Glass	TYPE	MAT'L	TYPE			HEAD	JAMB
237	3'-0"	6'-8"	WD	FR	G	HM	2	A1/A50.1	A2/A50.1	20 Min	
242B	3'-0"	6'-8"	WD	-	N	HM	2	A1/A50.1	A2/A50.1	-	RELOCATED EXISTING DOOR AND FRAME
242D	3'-0"	6'-8"	WD	-	F	HM	2	A1/A50.1	A2/A50.1	-	EXISTING DOOR - NO WORK
242E	3'-0"	6'-8"	WD	-	F	EXG	2	A1/A50.1	A2/A50.1	-	RELOCATED EXISTING DOOR AND FRAME
246	3'-0"	6'-8"	WD	-	F	EXG	2	A1/A50.1	A2/A50.1	-	EXISTING DOOR - NO WORK
247	3'-0"	6'-8"	WD	TEMP	G	AL	3	A1/A50.1	A2/A50.1	-	EXISTING DOOR IN NEW FRAME(ALT #4), NEW LIGHT IN EXG DOOR (BASE BID)
248	3'-0"	6'-8"	WD	TEMP	G	AL	3	A1/A50.1	A2/A50.1	-	EXISTING DOOR IN NEW FRAME(ALT #4), NEW LIGHT IN EXG DOOR (BASE BID)
249	3'-0"	6'-8"	WD	TEMP	G	AL	3	A1/A50.1	A2/A50.1	-	EXISTING DOOR IN NEW FRAME(ALT #4), NEW LIGHT IN EXG DOOR (BASE BID)
250	3'-0"	6'-8"	WD	TEMP	F	EXG	2	A1/A50.1	A2/A50.1	-	NEW LIGHT IN EXG DOOR
251	3'-0"	6'-8"	WD	TEMP	F	EXG	2	A1/A50.1	A2/A50.1	-	NEW LIGHT IN EXG DOOR
252	3'-0"	6'-8"	WD	TEMP	F	EXG	2	A1/A50.1	A2/A50.1	-	NEW LIGHT IN EXG DOOR
253A	6'-0"	6'-8"	WD	FR	N	HM	2	A1/A50.1	A2/A50.1	20 Min	FIRE RATED GLASS BY DOOR MFG
253B	3'-0"	6'-8"	WD	FR	N	HM	2	A1/A50.1	A2/A50.1	20 Min	FIRE RATED GLASS BY DOOR MFG

BORROWED LIGHT SCHEDULE											
DOOR	BORROWED LIGHT			FRAME				Fire Rating	Comments		
	WIDTH	HEAD HEIGHT	GLASS	TYPE	MAT'L	TYPE	HEAD			JAMB	
BL50	4'-0"	7'-0"	TEMP	BL	HM	1	B1/A50.1	A2/A50.1	-		
BL51	4'-0"	7'-0"	TEMP	BL	HM	1	B1/A50.1	A2/A50.1	-		

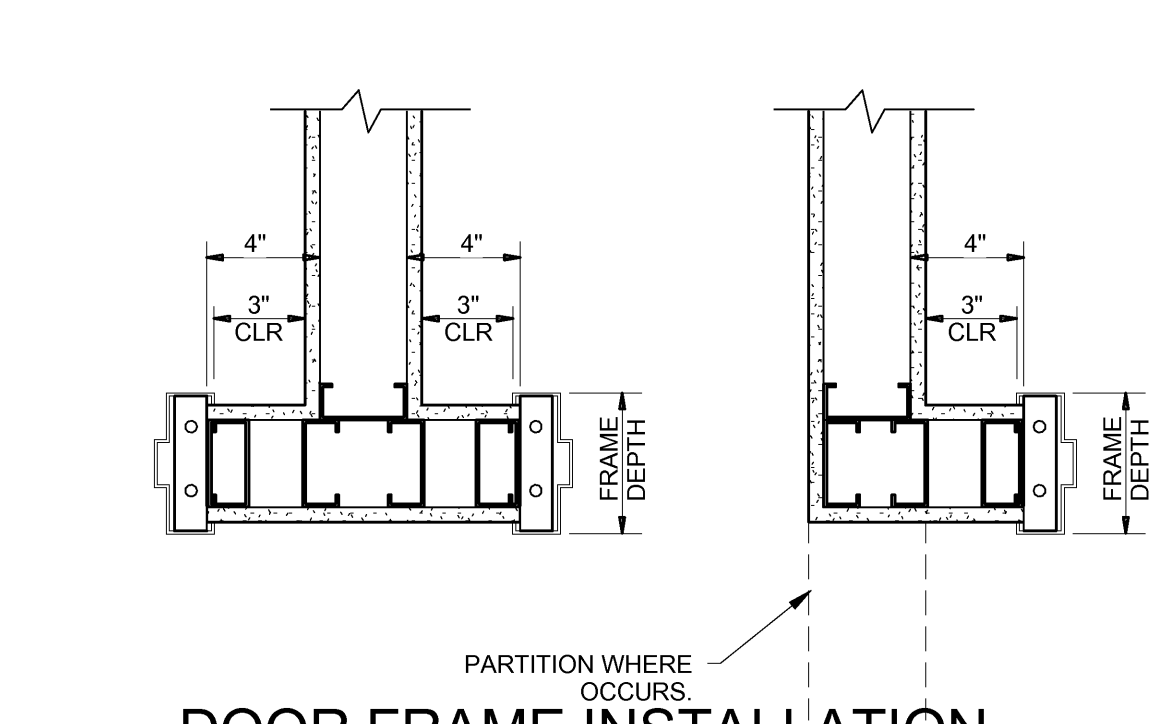


**FRAME LEGEND**  
SCALE: 1/4" = 1'-0"

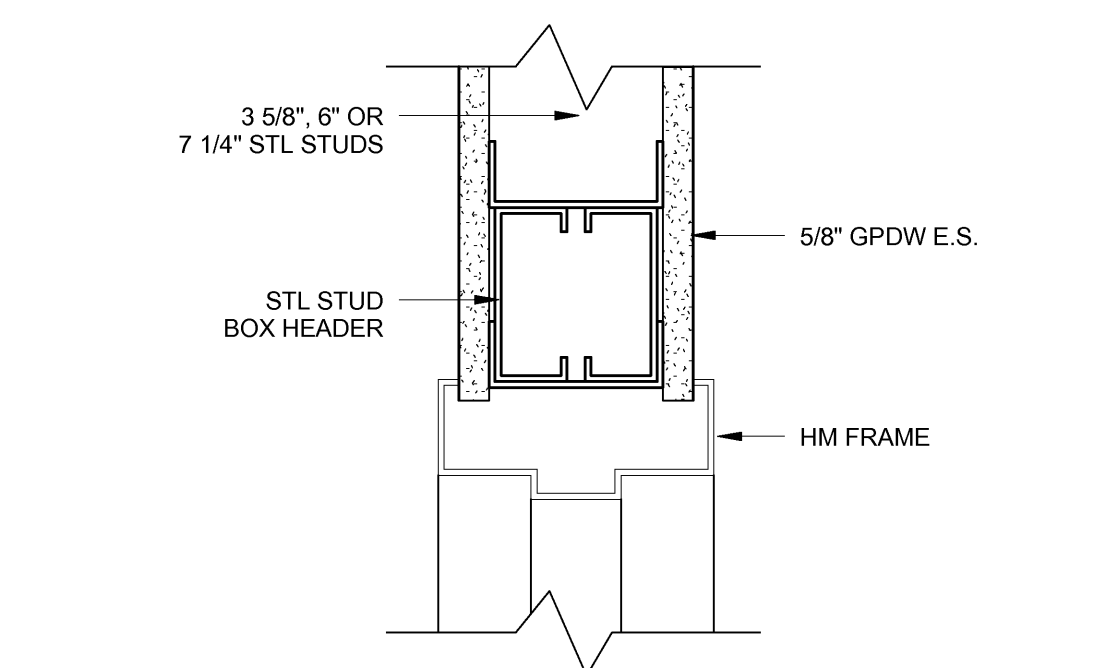
**DOOR TYPES**  
SCALE: 1/4" = 1'-0"



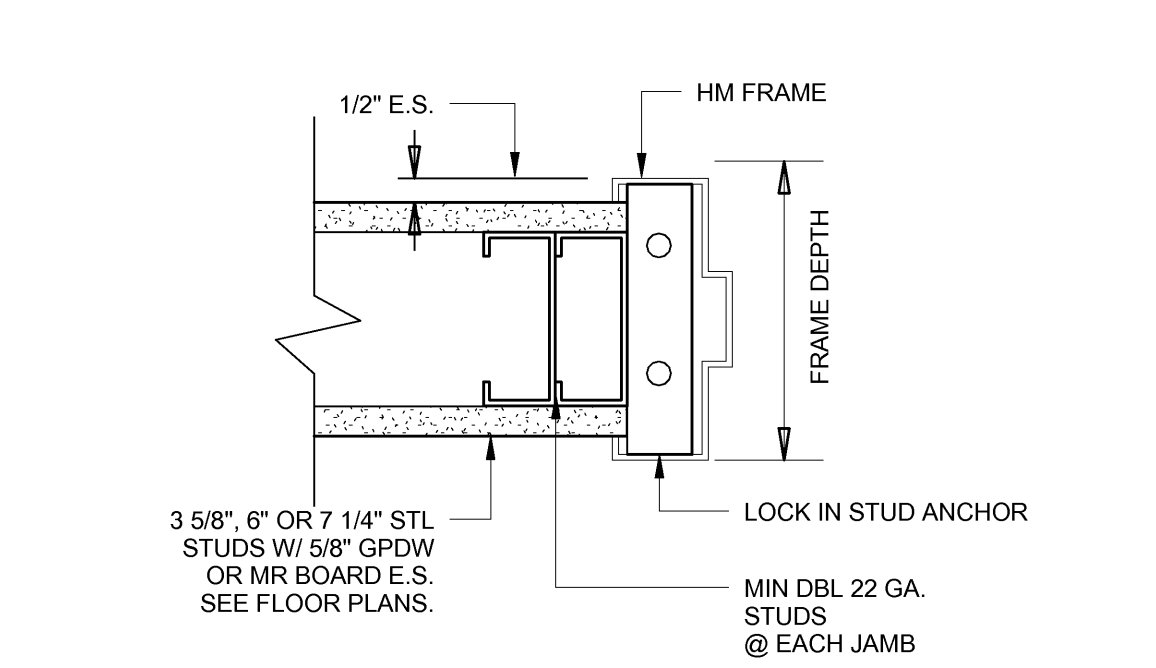
**B1 INTERIOR HOLLOW METAL HEAD**  
SCALE: 3" = 1'-0"



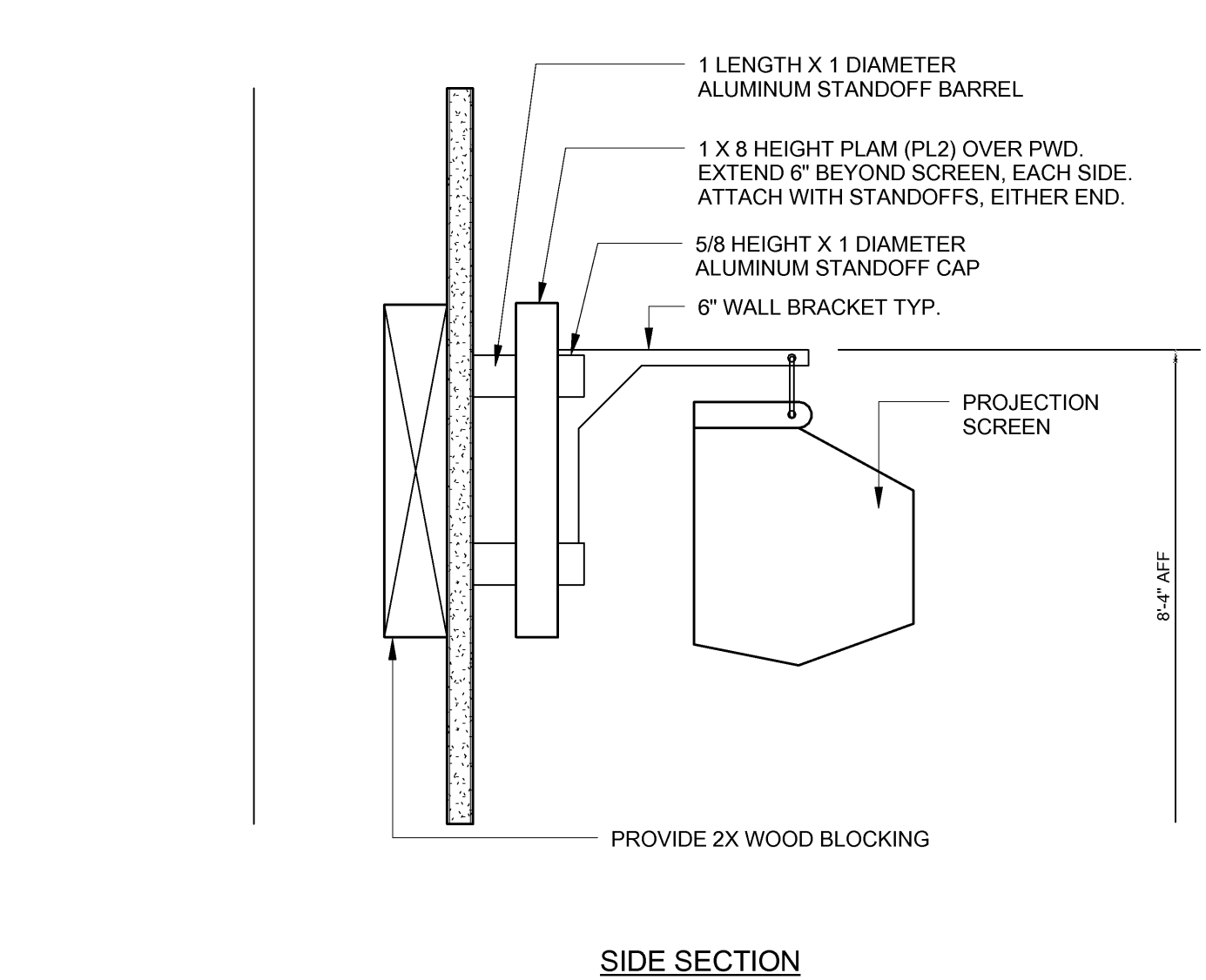
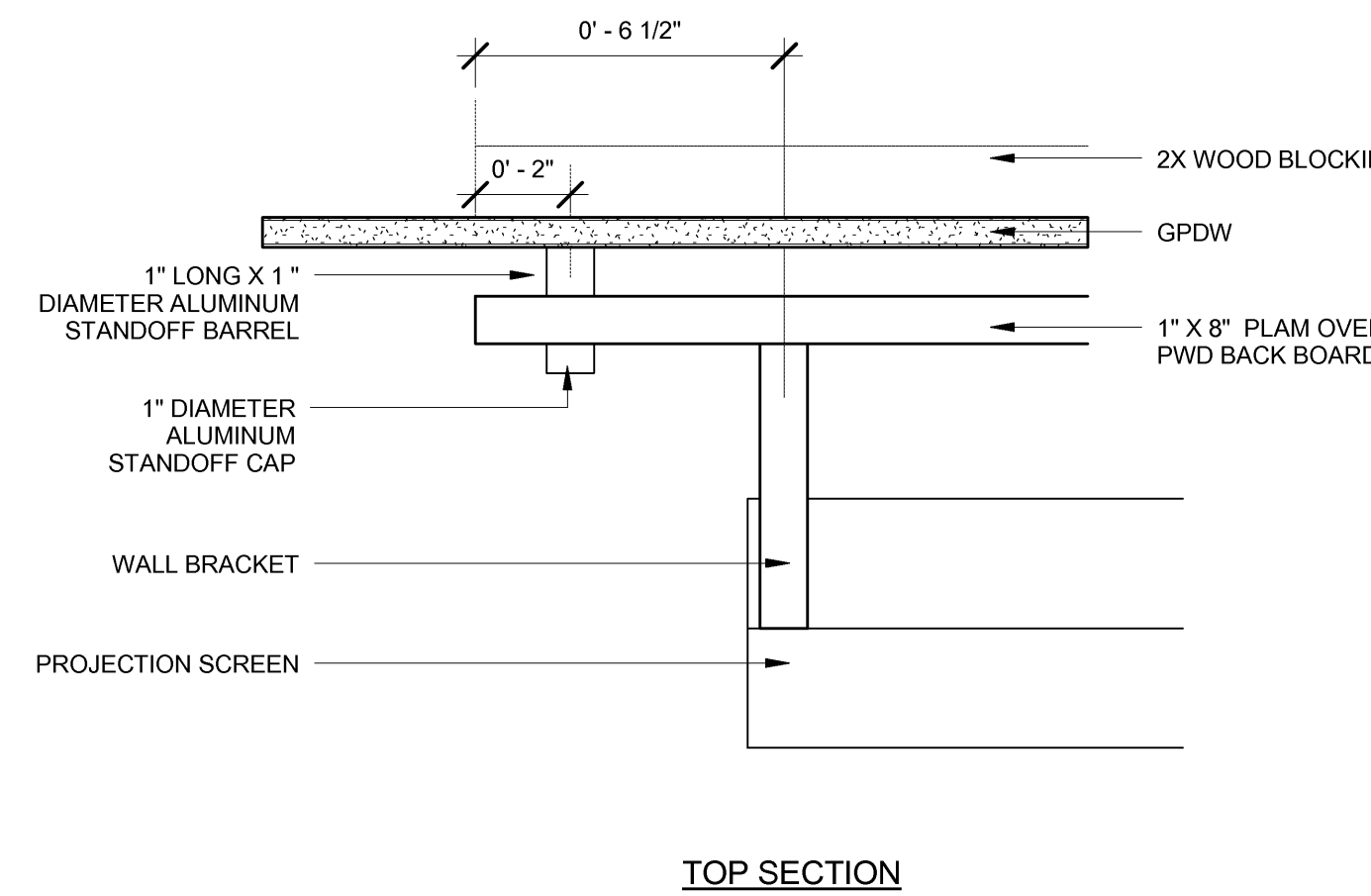
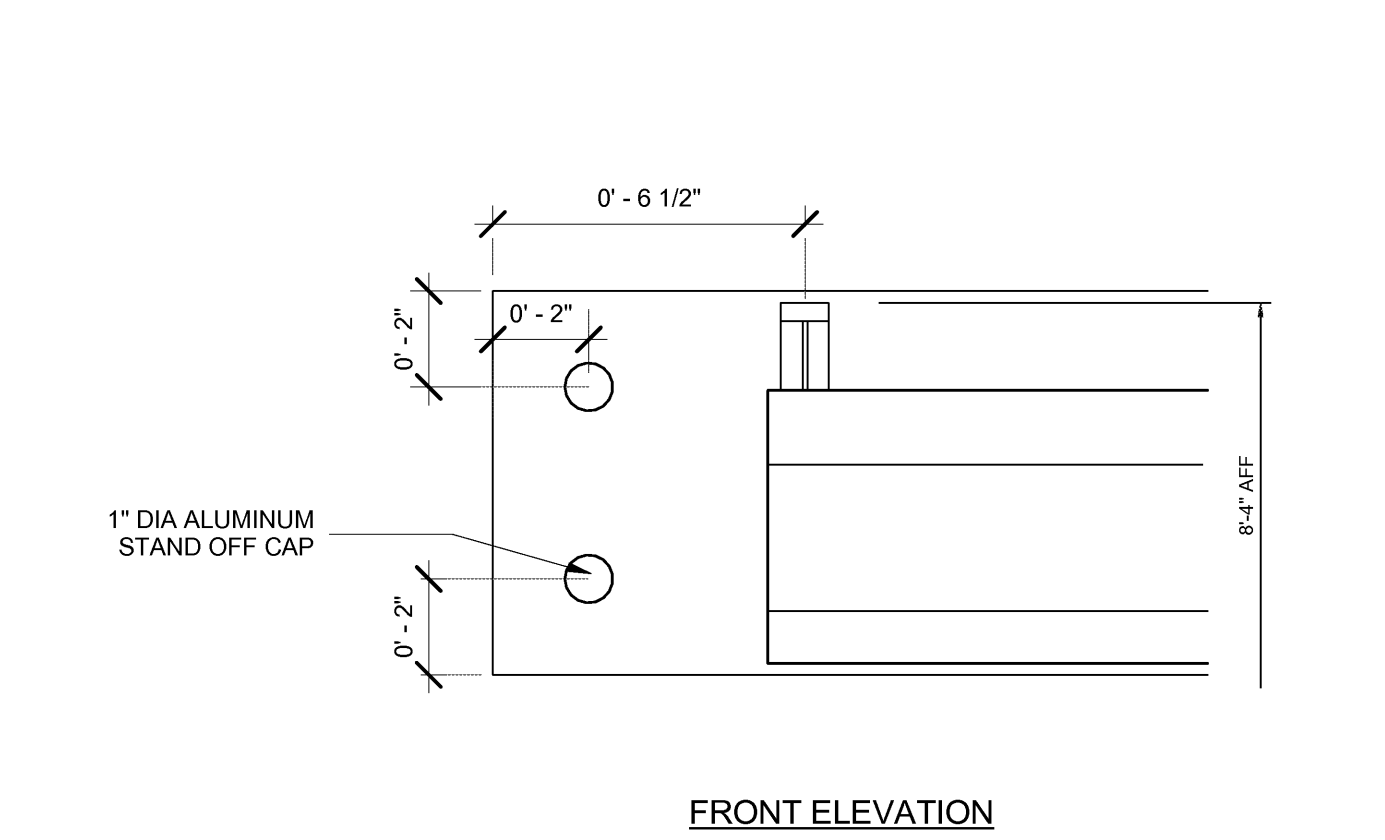
**B2 DOOR FRAME INSTALLATION DETAIL**  
SCALE: 1 1/2" = 1'-0"



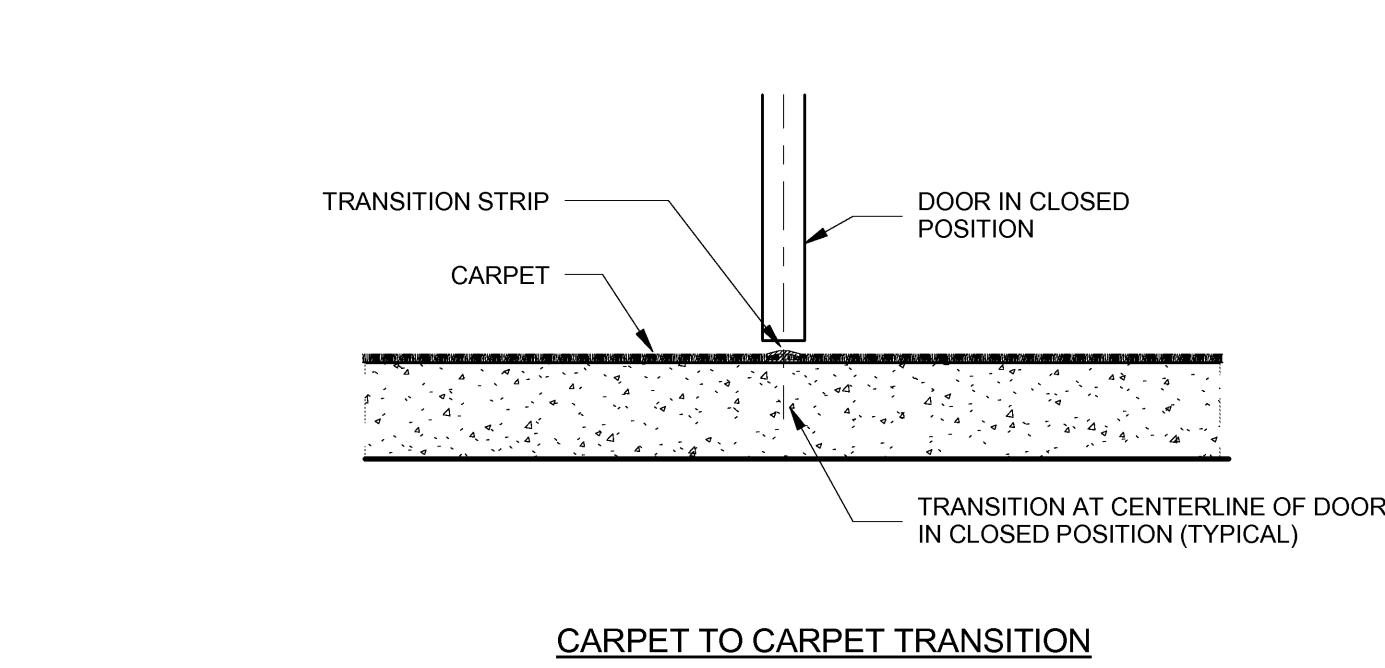
**A1 HEAD DETAIL @ STEEL STUD**  
SCALE: 3" = 1'-0"



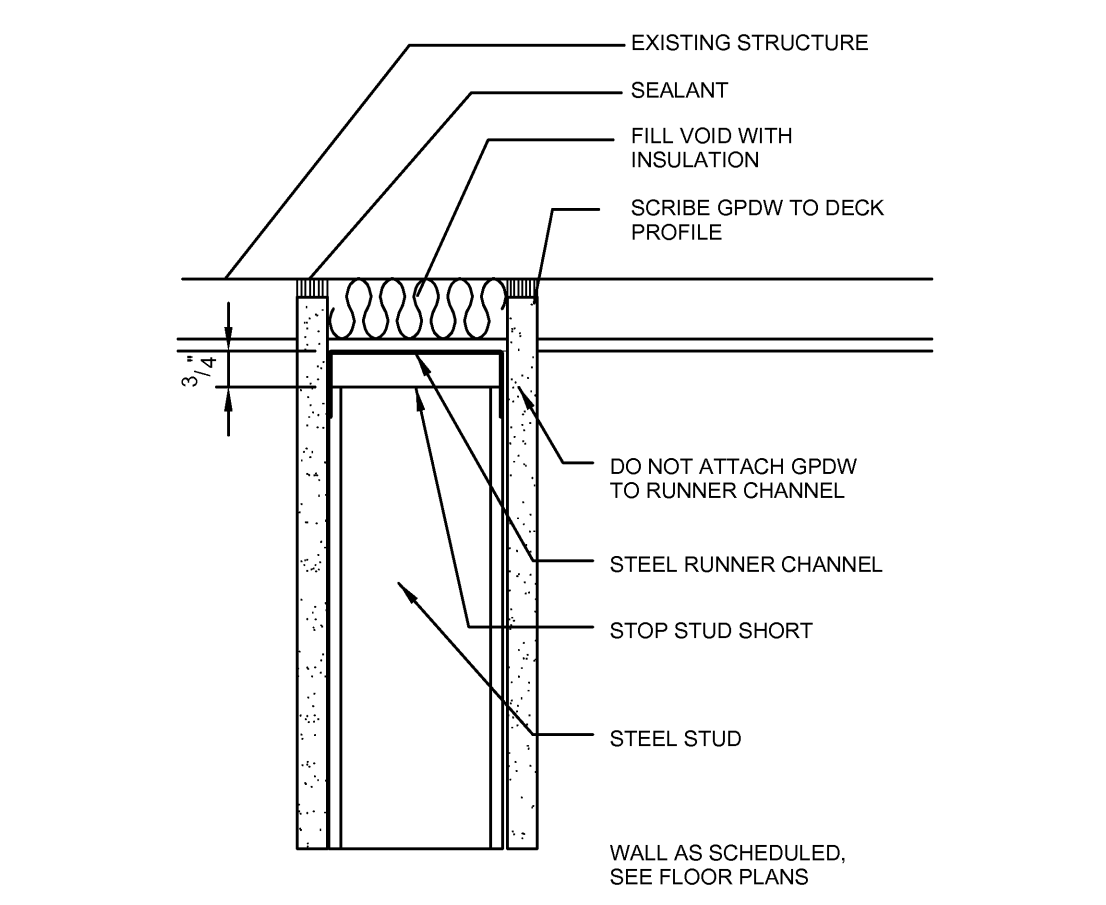
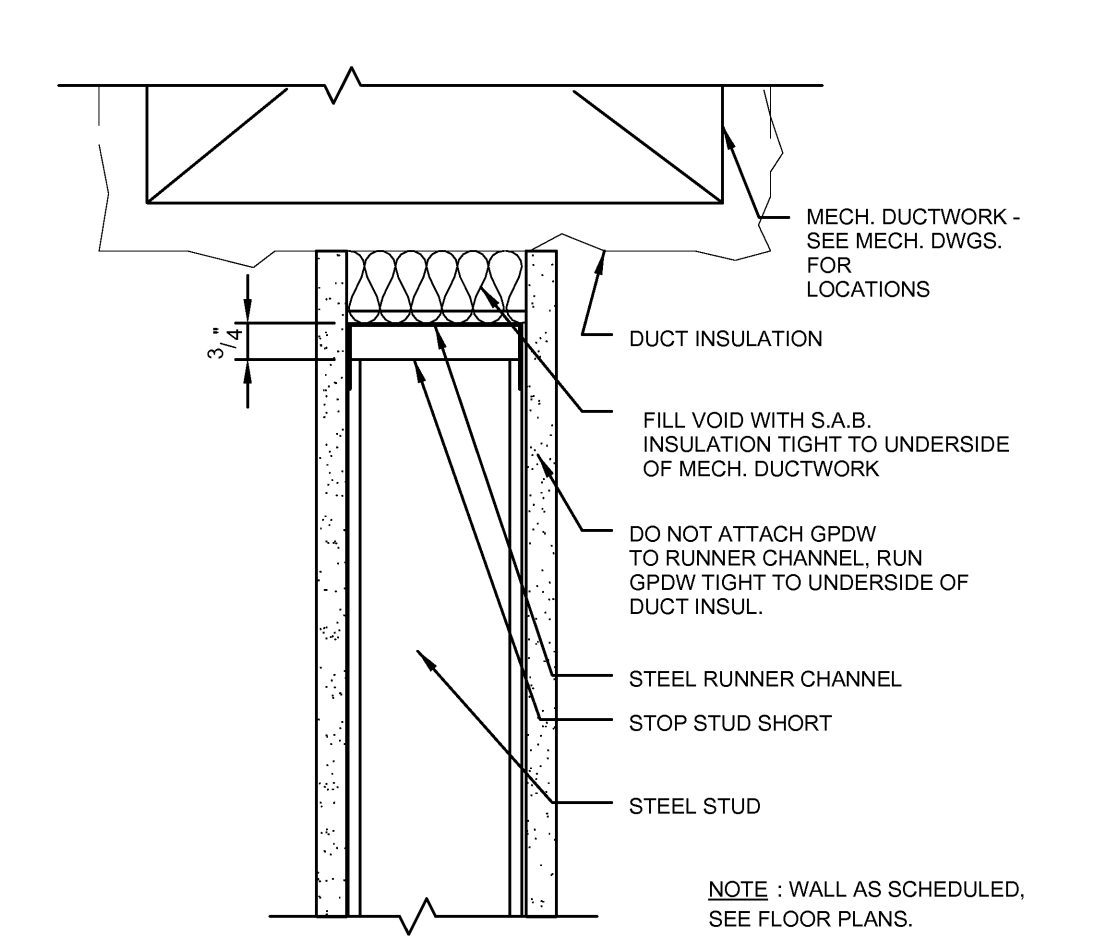
**A2 JAMB DETAIL @ STEEL STUD**  
SCALE: 3" = 1'-0"



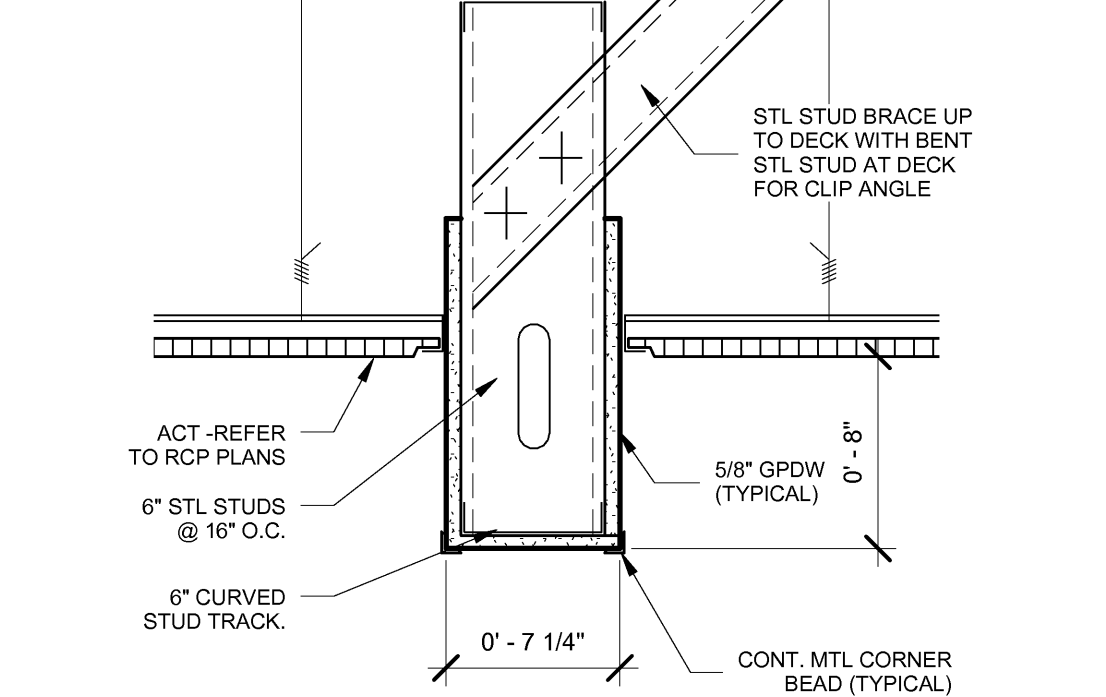
**B3 PROJECTION SCREEN MOUNT**  
SCALE: 3" = 1'-0"



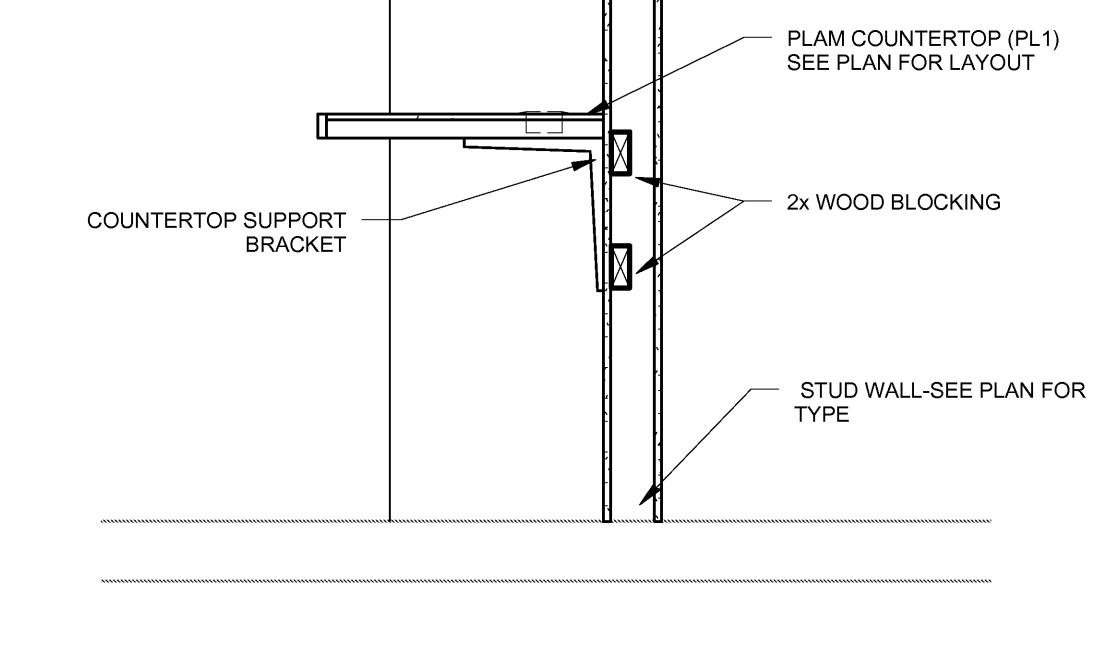
**A3 FLOOR MATERIAL TRANSITIONS**  
SCALE: 1 1/2" = 1'-0"



**C4 CONNECTION TO EXG STRUCTURE**  
SCALE: 1 1/2" = 1'-0"



**B4 DETAIL AT SOFFIT (ALT #2)**  
SCALE: 1 1/2" = 1'-0"



**A4 SECTION AT COUNTER (ALT #3)**  
SCALE: 3/4" = 1'-0"

**HARRIMAN**  
Architects + Engineers

46 Harriman Drive  
Auburn, ME 04210  
207.784.5100 tel

123 Middle Street  
Portland, ME 04101  
207.775.0053 tel

One Perimeter Road  
Manchester, NH 03103  
603.626.1242 tel

www.harriman.com  
© 2012

Project Title  
**USM LUTHER BONNEY HALL 2ND FLOOR RENOVATION**  
Portland, Maine

Harriman Project No. 12677

Key Plan

Drawing Scales	
As indicated	

Mark	Date	Description
...	10-15-12	ISSUED FOR BID
...	10-10-12	90% REVIEW
...	10-02-12	75% REVIEW

Issue Dates

Drawing Title  
**SCHEDULES, DETAILS AND SECTIONS**

PA / PE: MDL Drawn By: ERP

Drawing Number

**A50.1**