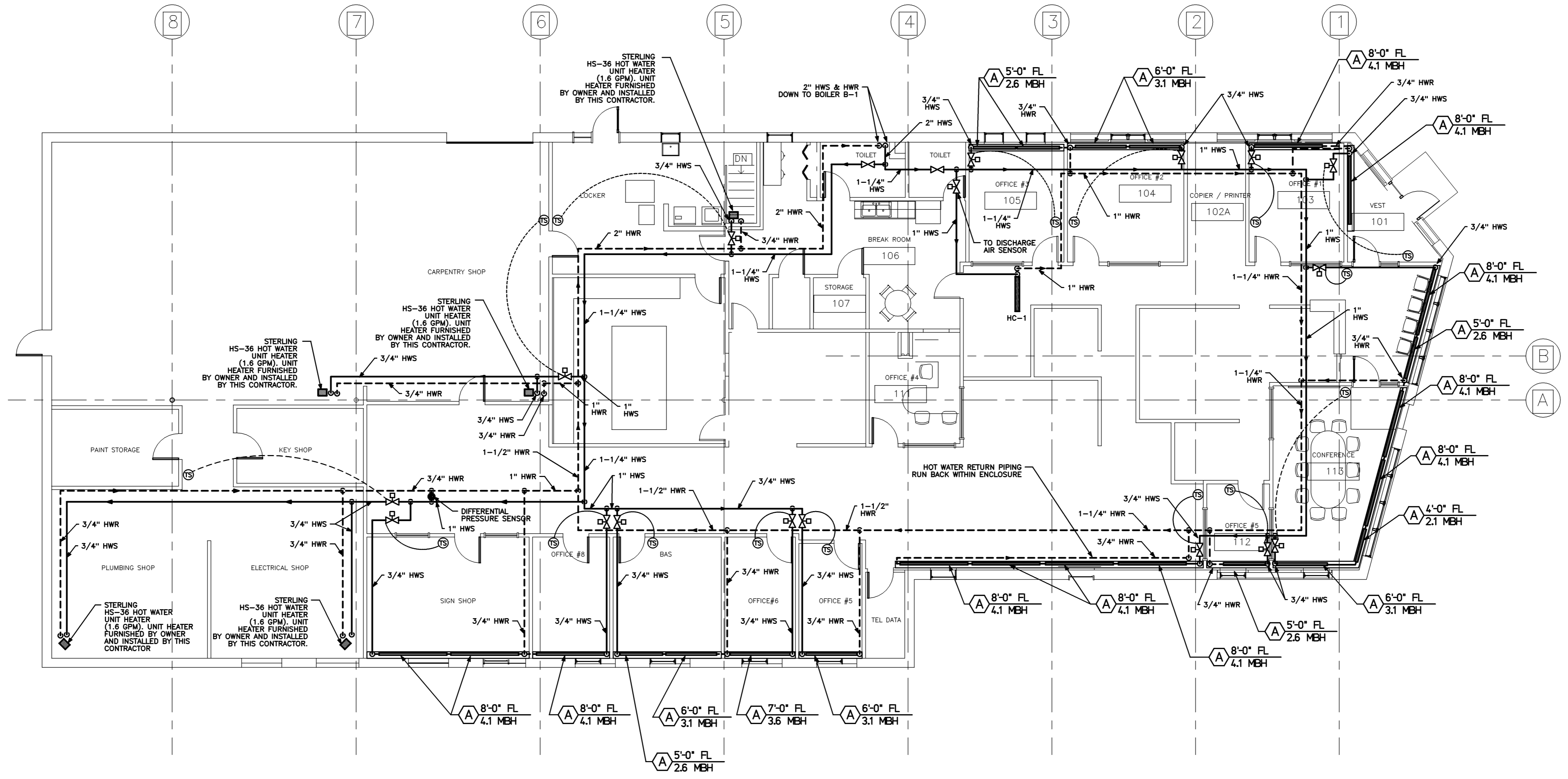


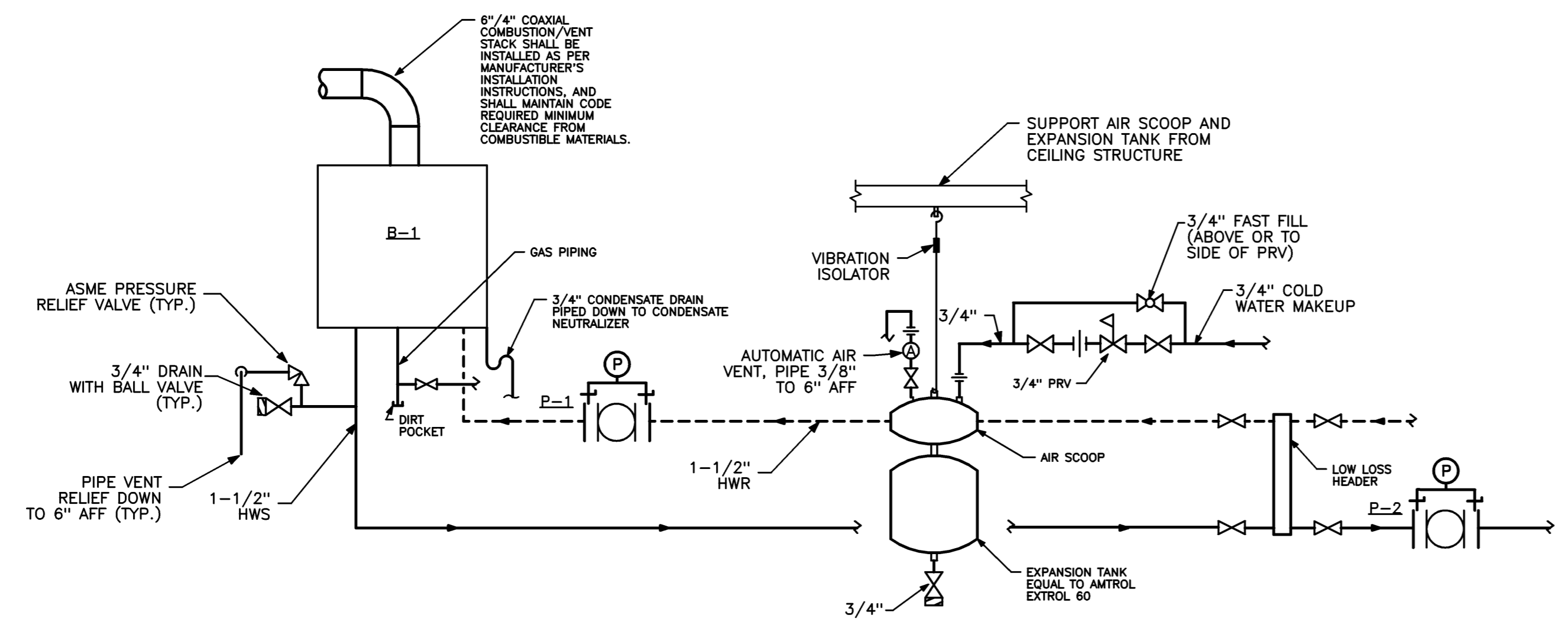
Project Title
**USM
25 BEDFORD
STREET RENOVATION**
PORTLAND, ME

HA Project No. 11711

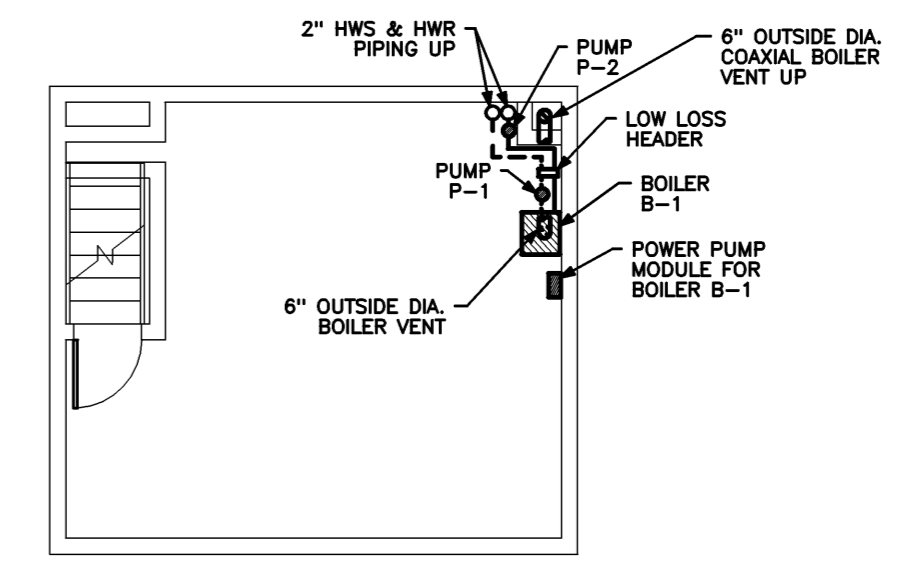
Key Plan



FIRST FLOOR PIPING PLAN
1/8" = 1'-0" REF: NA **M3**



BOILER B-1 PIPING DETAIL
NO SCALE REF: NA **M2**



BASEMENT HVAC PLAN
1/8" = 1'-0" REF: NA **M1**

Mark	Date	Description
-	04-02-12	ISSUED FOR BID
-	03-12-12	95% REVIEW
-	03-02-12	75% REVIEW
-	02-17-12	PROGRESS REVIEW

Issue Dates

Drawing Title
FIRST FLOOR AND BASEMENT HVAC PLAN
PA / PE: CG Drawn By: JSL
Drawing Number

M20.1