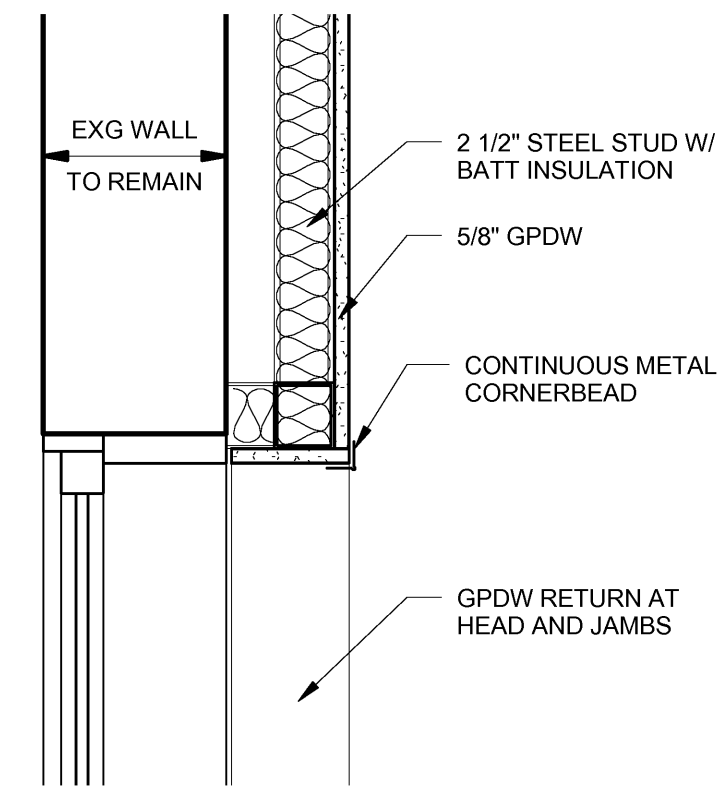
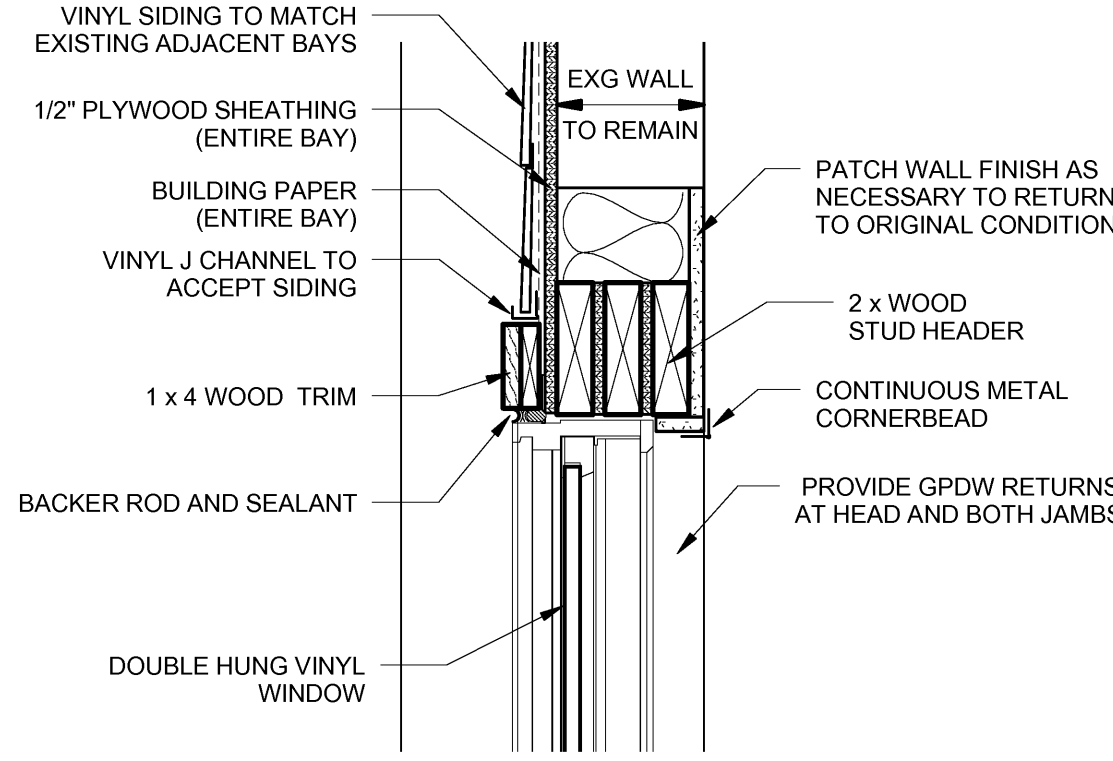


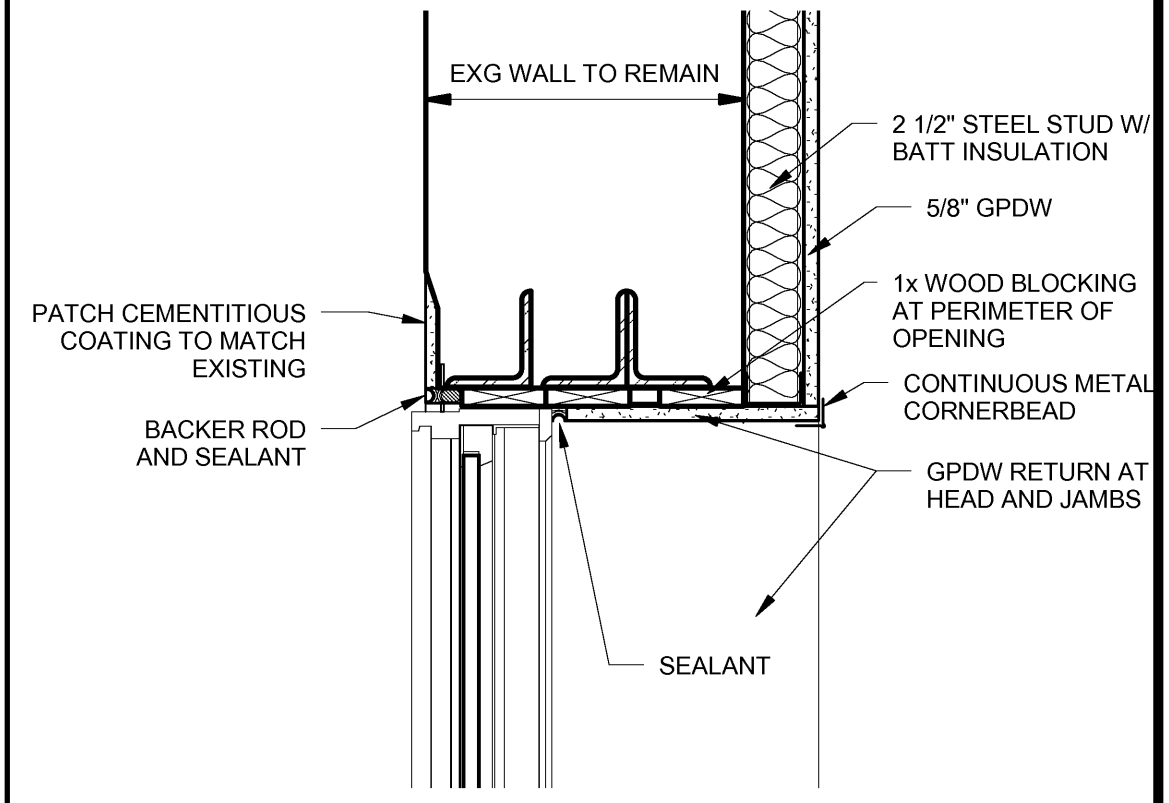
WINDOW TYPES
SCALE: 1/2" = 1'-0"



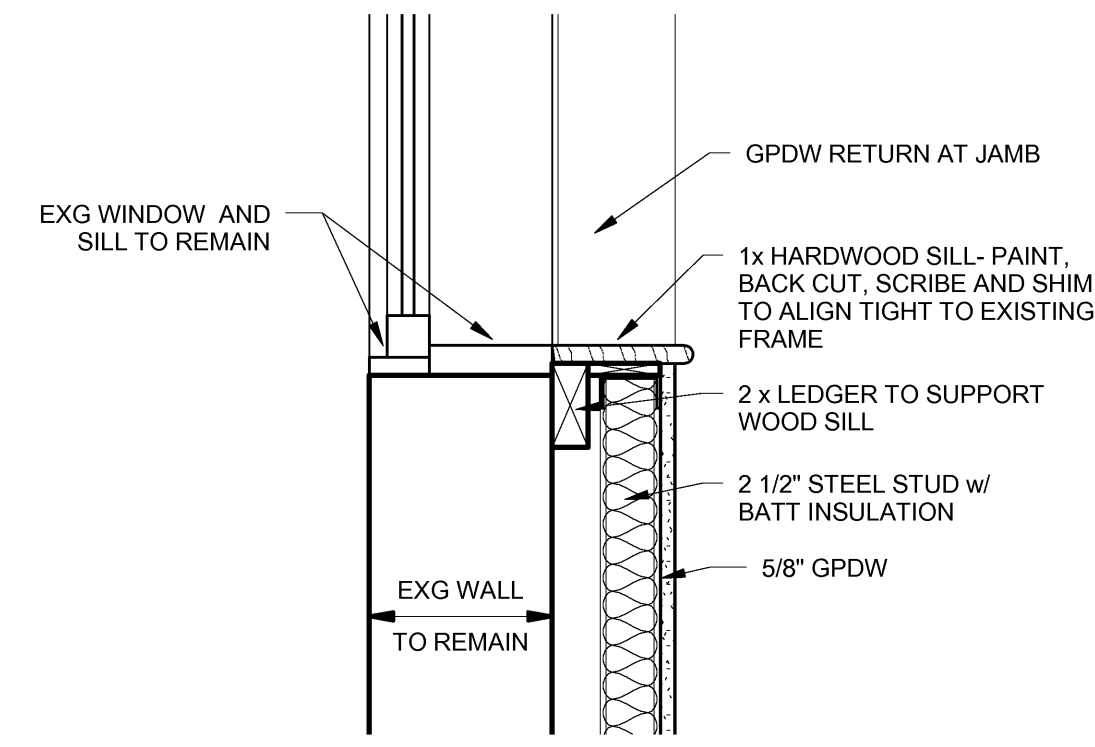
D3 EXISTING WINDOW HEAD DETAIL
SCALE: 1 1/2" = 1'-0"



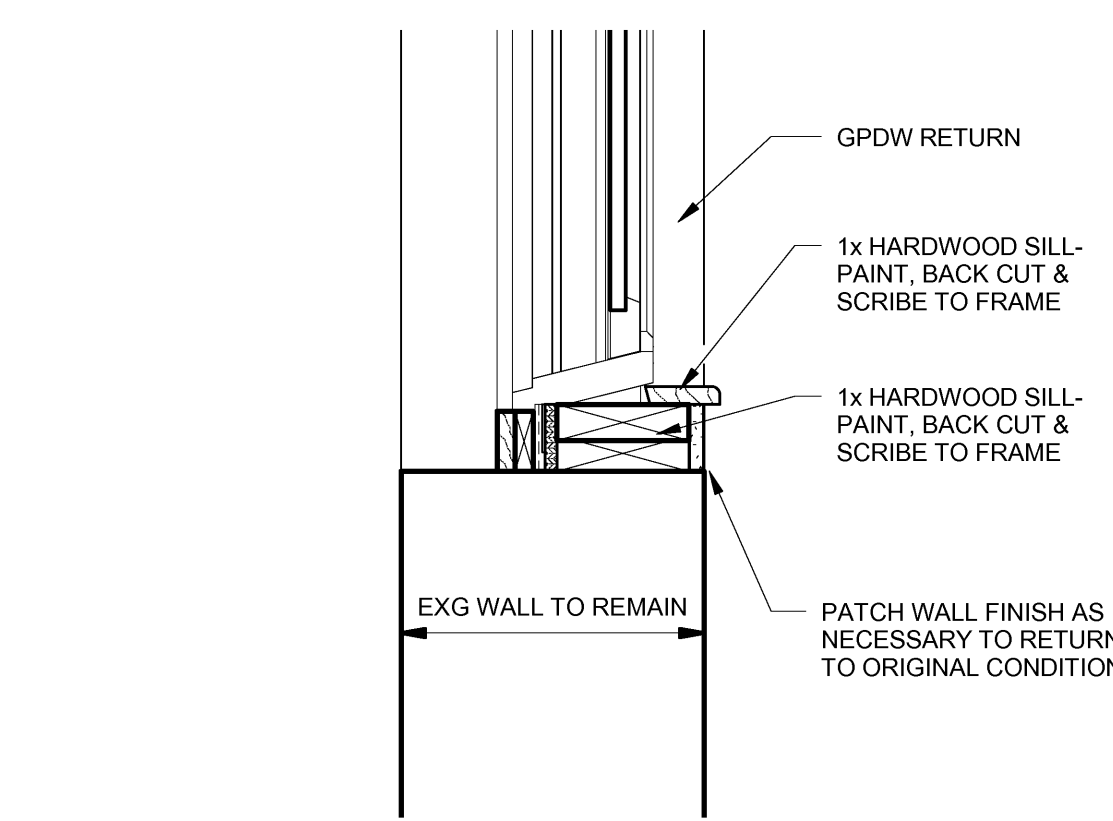
D4 WINDOW HEAD DETAIL 1
SCALE: 1 1/2" = 1'-0"



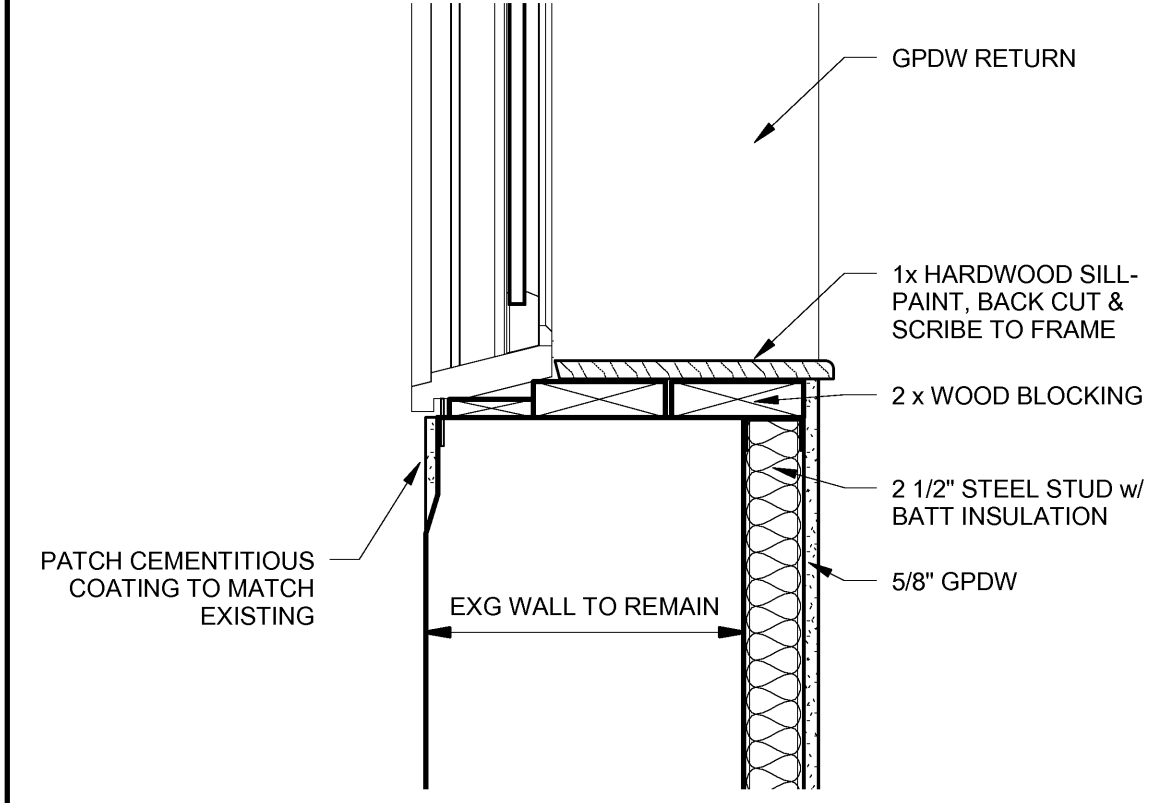
D5 WINDOW HEAD DETAIL 2
SCALE: 1 1/2" = 1'-0"



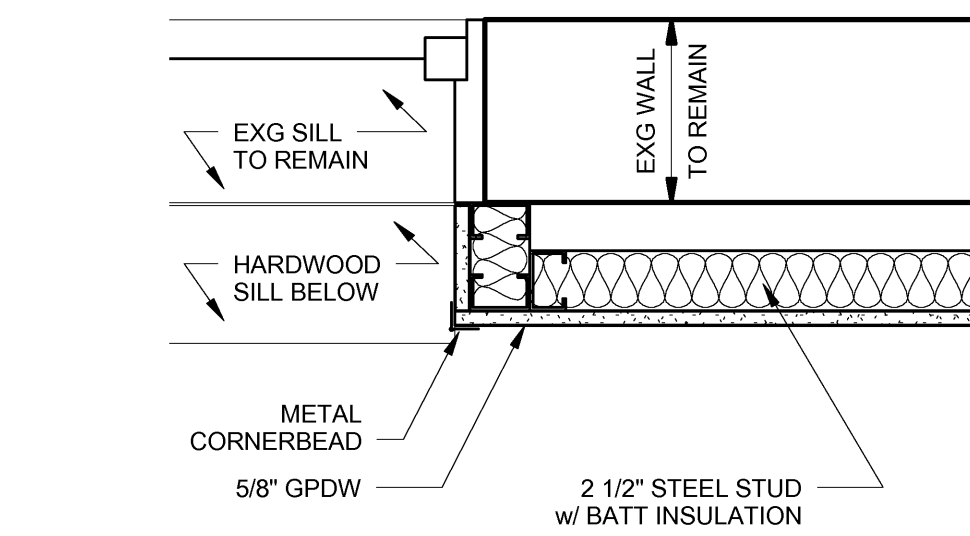
C3 EXISTING WINDOW SILL DETAIL
SCALE: 1 1/2" = 1'-0"



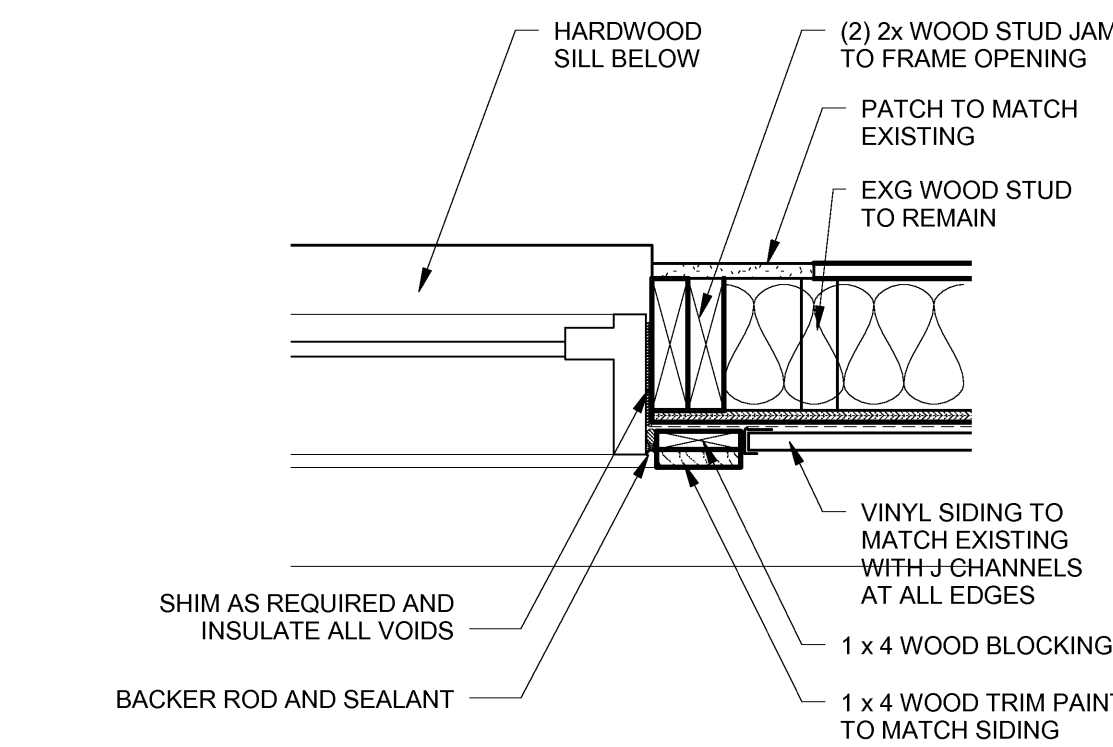
C4 WINDOW SILL DETAIL 1
SCALE: 1 1/2" = 1'-0"



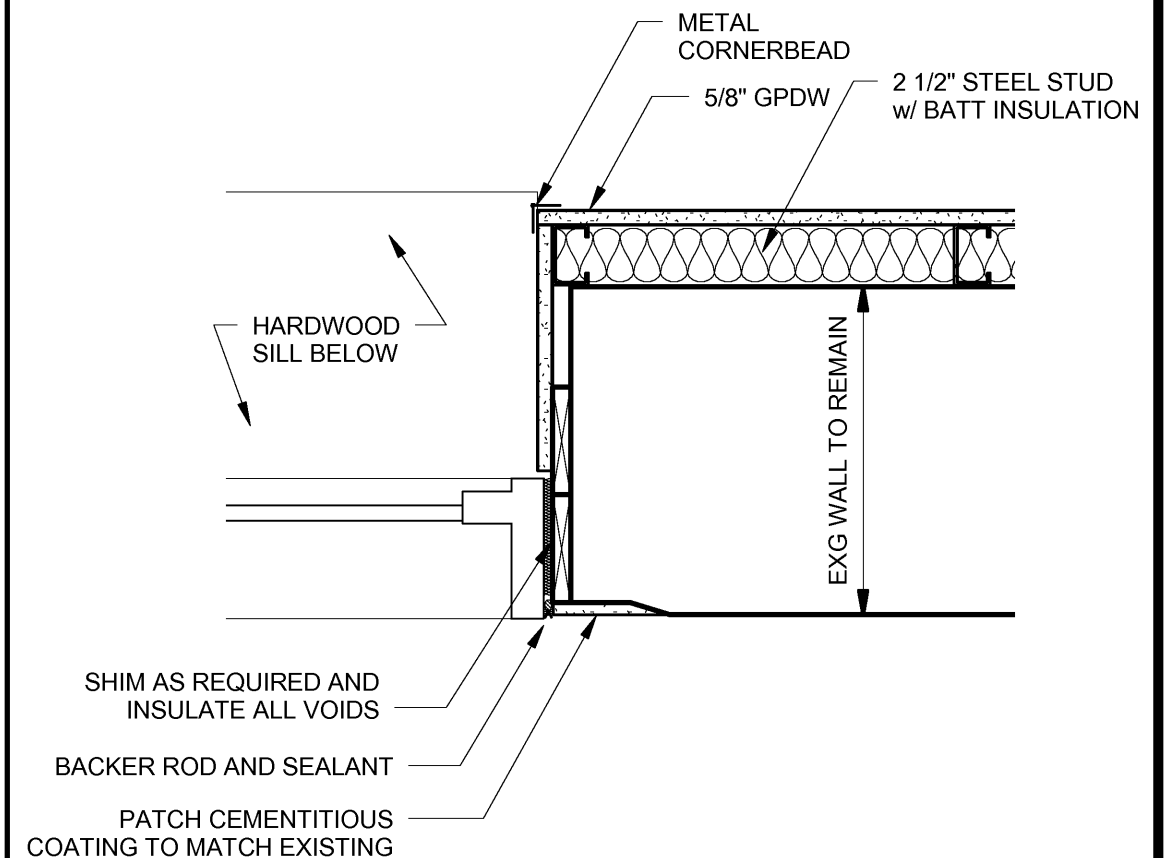
C5 WINDOW SILL DETAIL 2
SCALE: 1 1/2" = 1'-0"



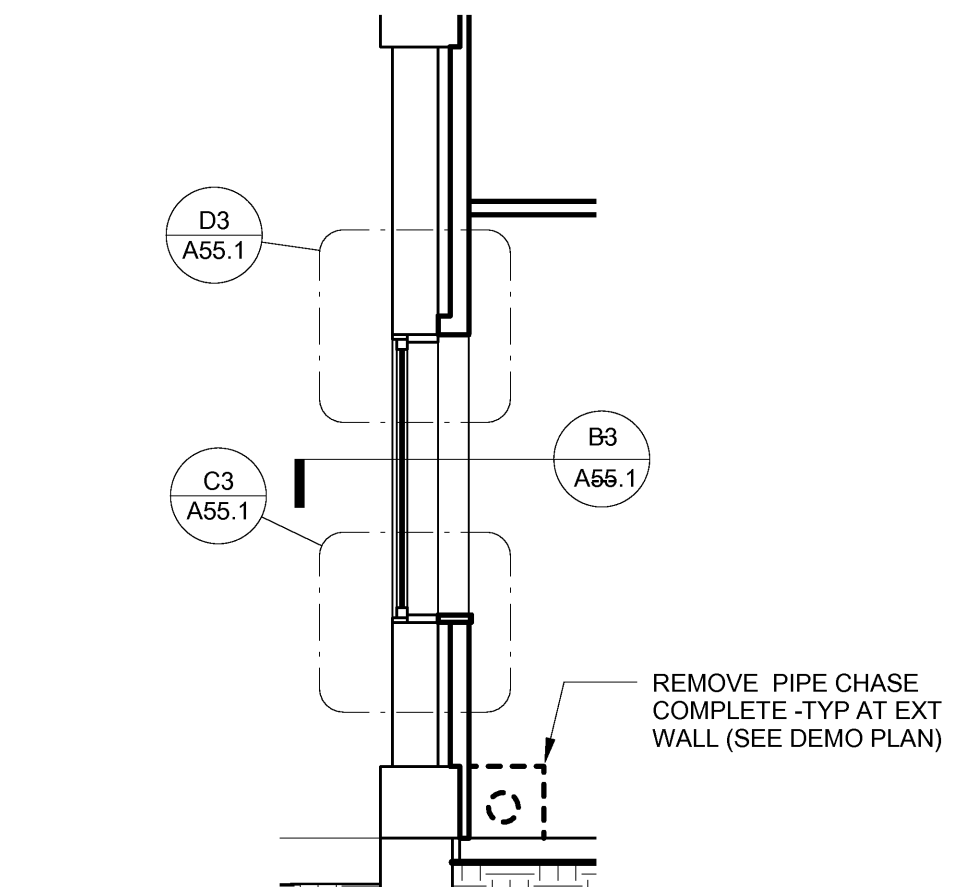
B3 EXISTING WINDOW JAMB DETAIL
SCALE: 1 1/2" = 1'-0"



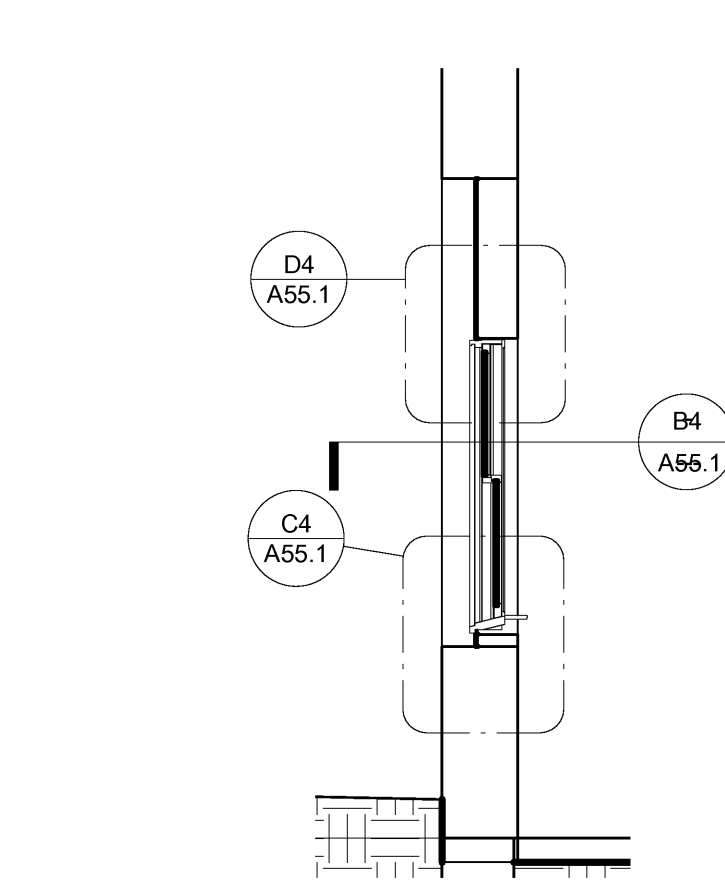
B4 WINDOW JAMB DETAIL 1
SCALE: 1 1/2" = 1'-0"



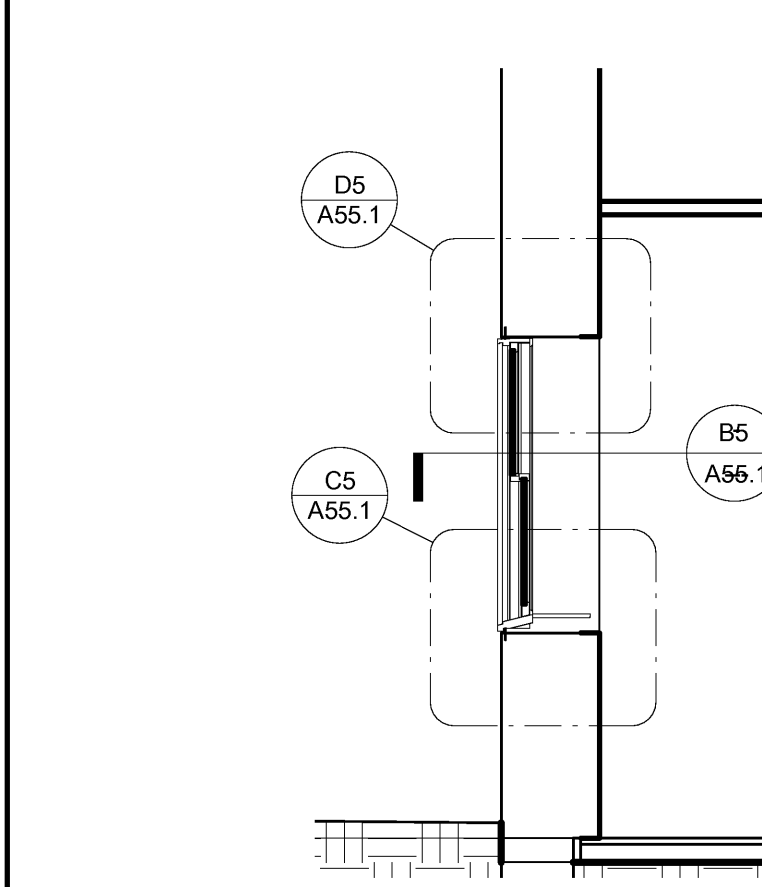
B5 WINDOW JAMB DETAIL 2
SCALE: 1 1/2" = 1'-0"



A3 TYP EXISTING WINDOW SECTION
SCALE: 3/8" = 1'-0"



A4 WINDOW INFILL SECTION 1
SCALE: 3/8" = 1'-0"



A5 WINDOW INFILL SECTION 2
SCALE: 3/8" = 1'-0"

HARRIMAN
Architects + Engineers

46 Harriman Drive
Auburn, ME 04210
207.784.5100 tel

123 Middle Street
Portland, ME 04101
207.775.0053 tel

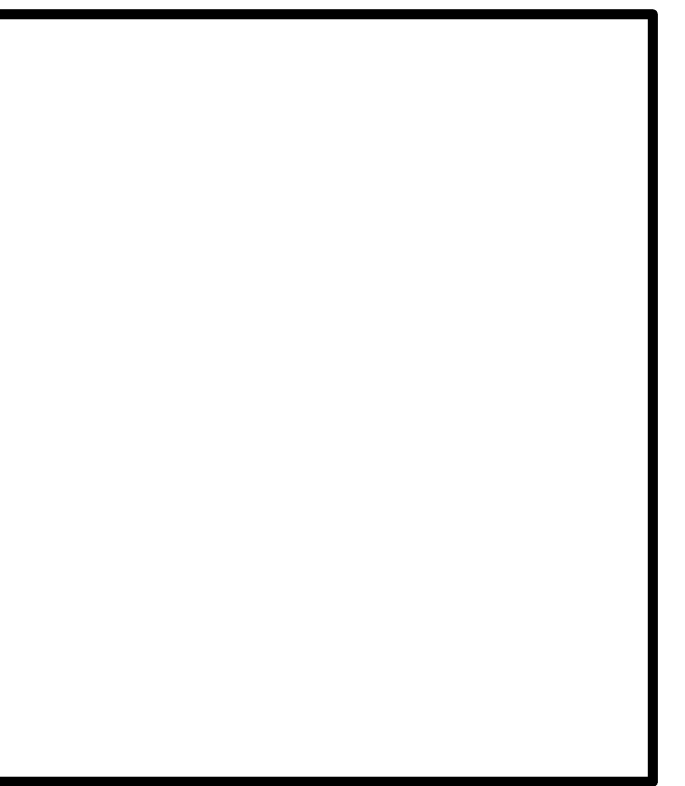
One Perimeter Road
Manchester, NH 03103
603.626.1242 tel

www.harriman.com
© 2012

Project Title
USM 25 BEDFORD STREET RENOVATION
PORTLAND, ME

Harriman Project No. 11711

Key Plan



Drawing Scales	0 1' 2' 4'
As indicated	3/8" = 1'-0"
0 4" 8" 1'	Graphic Scale
1 1/2" = 1'-0"	Graphic Scale

Mark	Date	Description
	04/02/2012	ISSUED FOR BID
Issue Dates		



Drawing Title
WINDOW DETAILS

PA / PE: MDL Drawn By: BSL

Drawing Number

A55.1