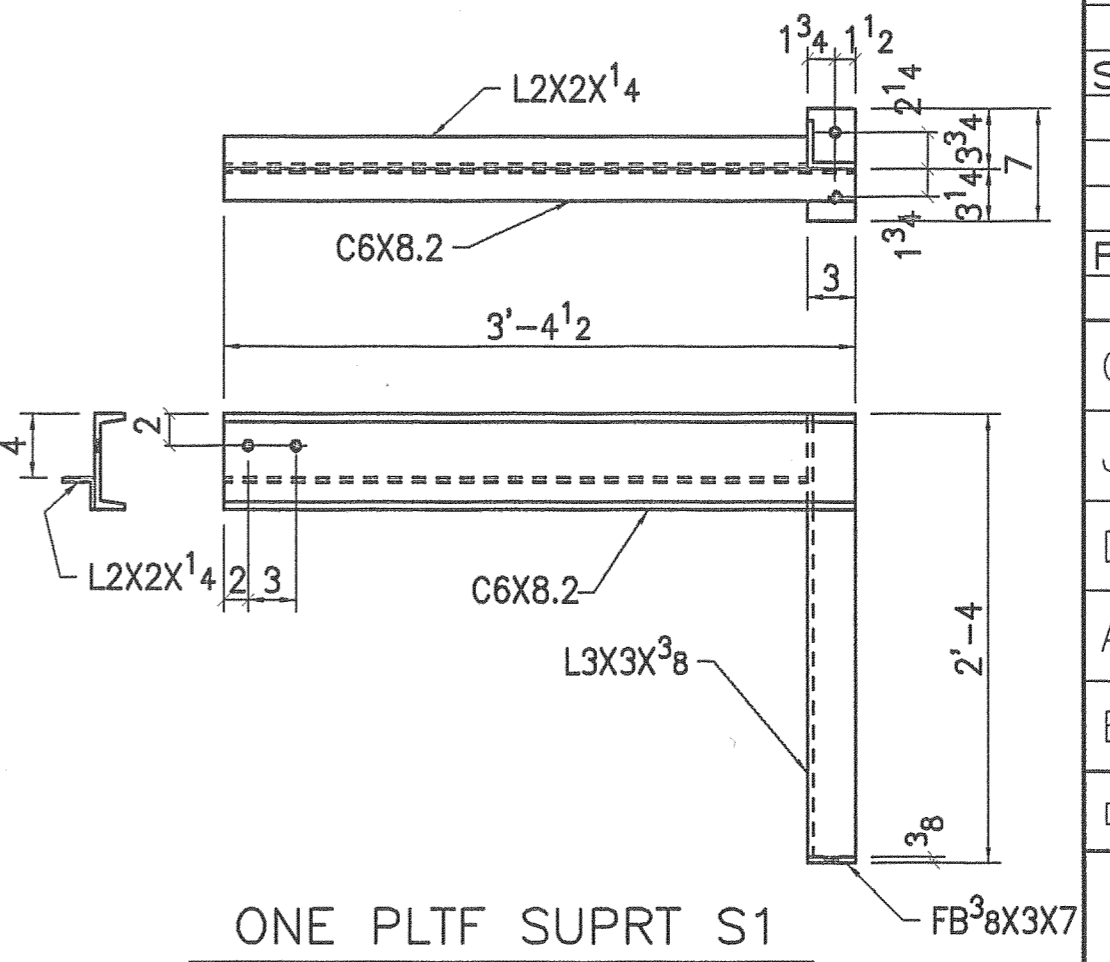
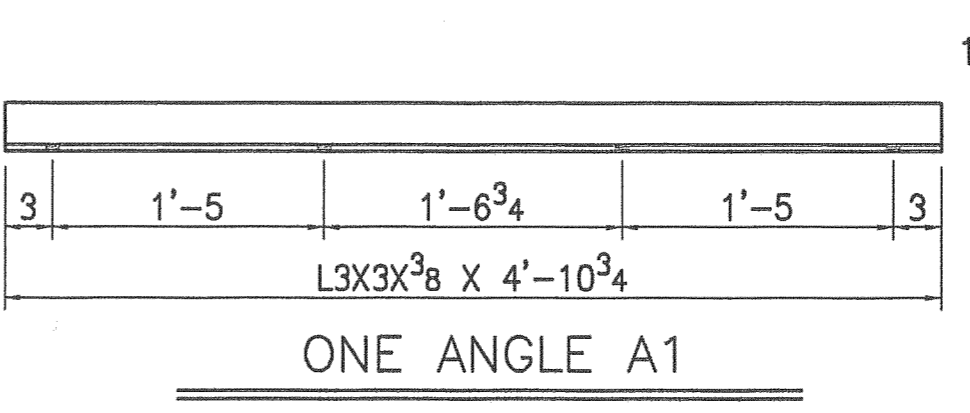
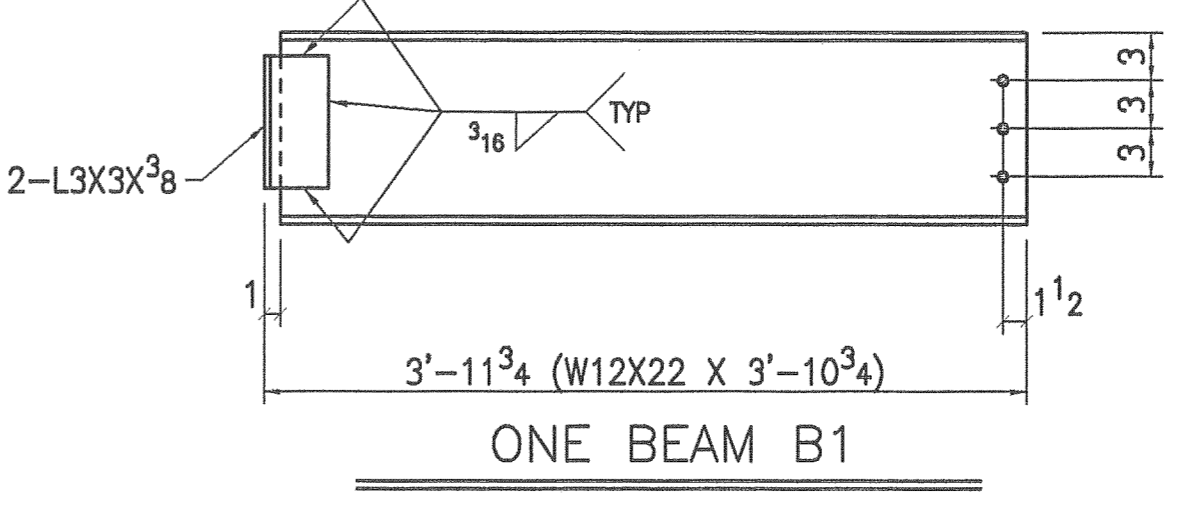
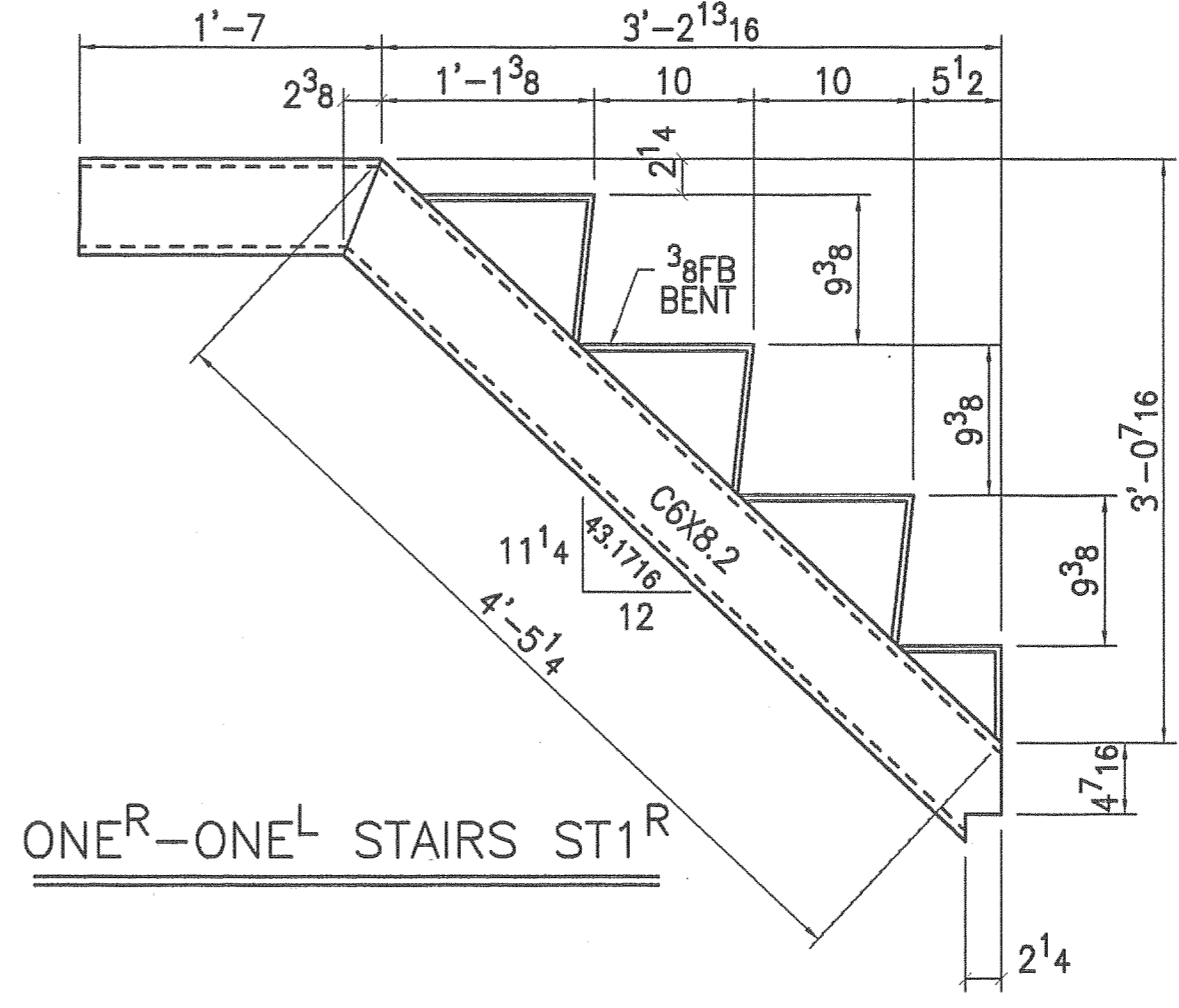
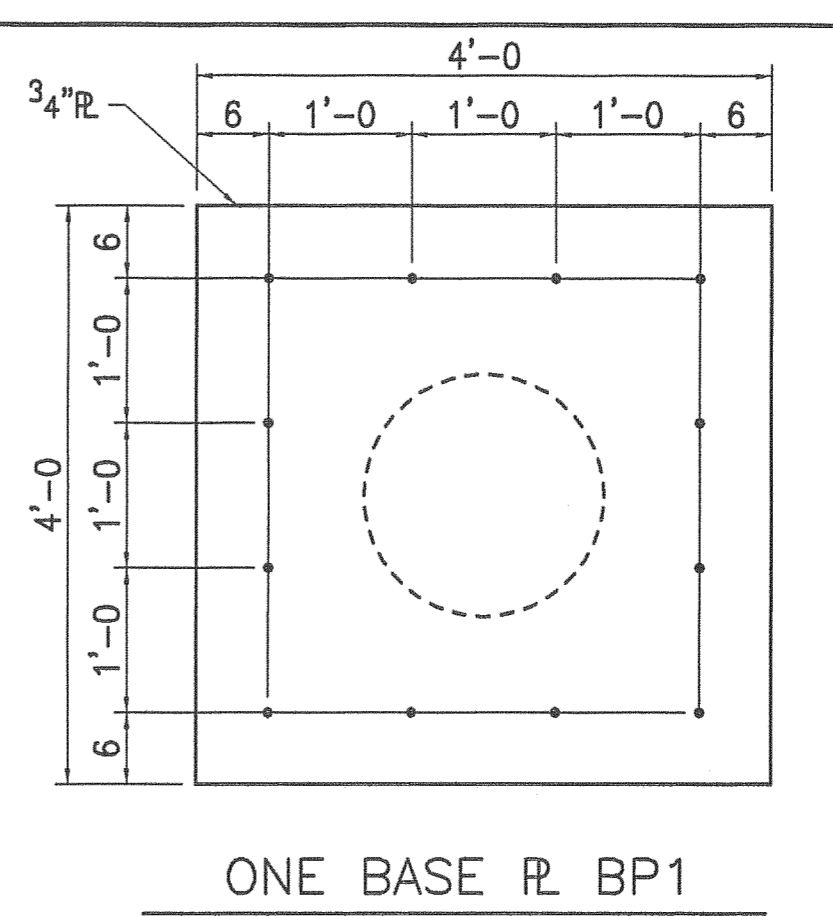
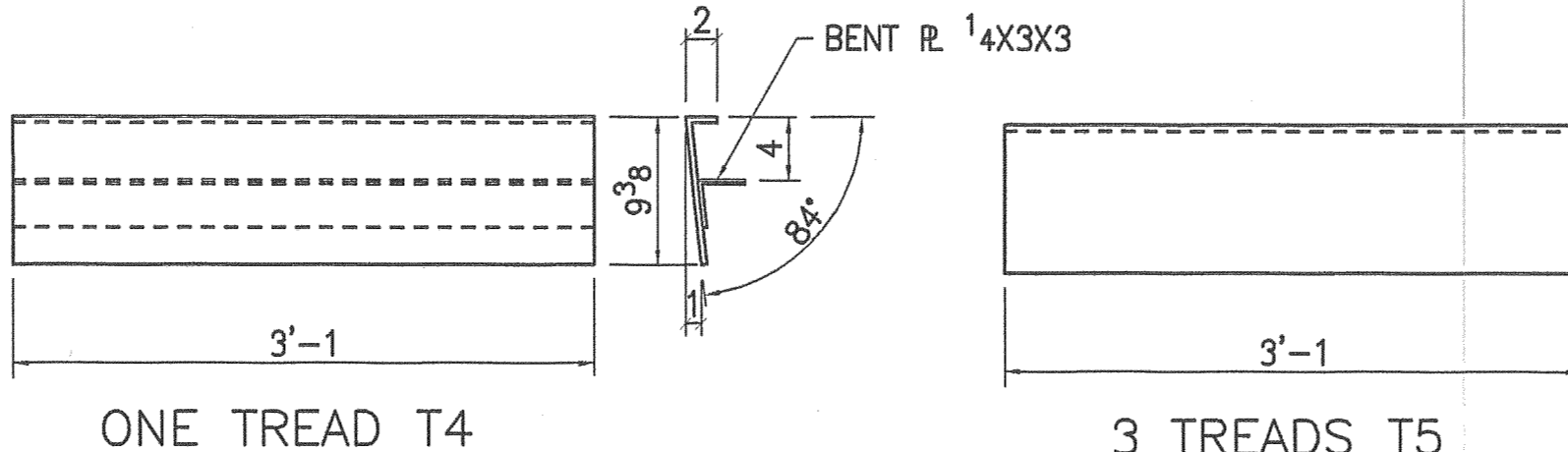
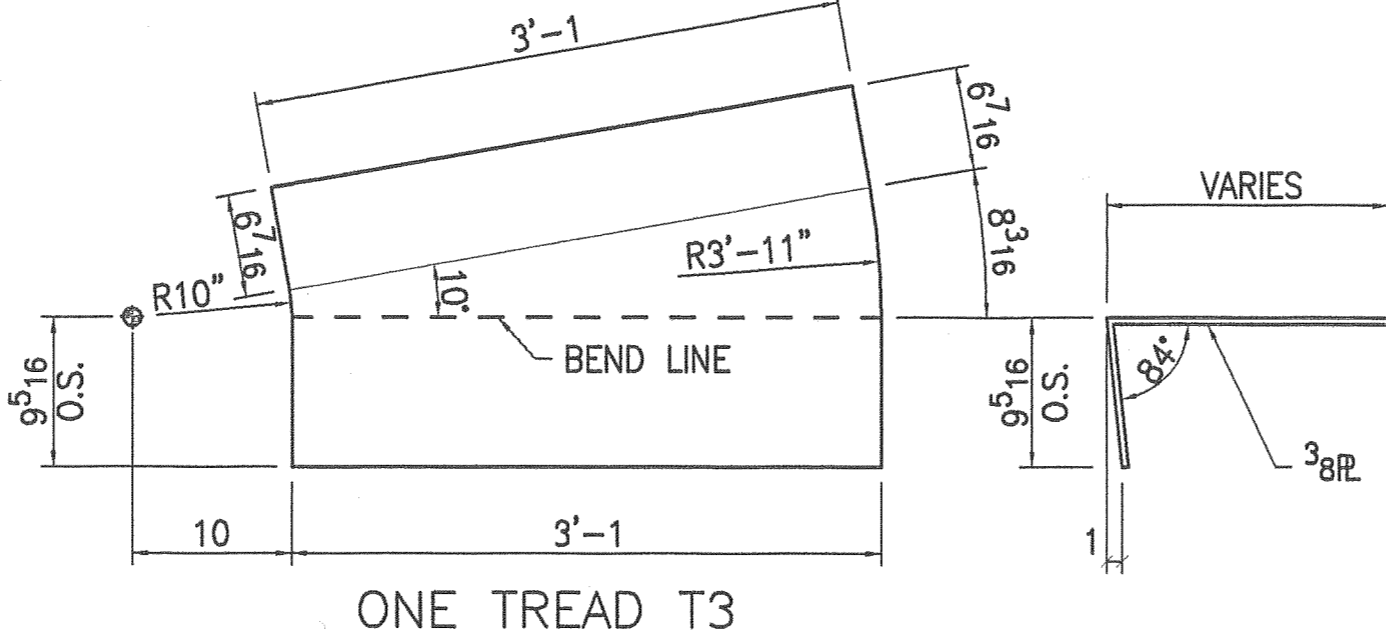
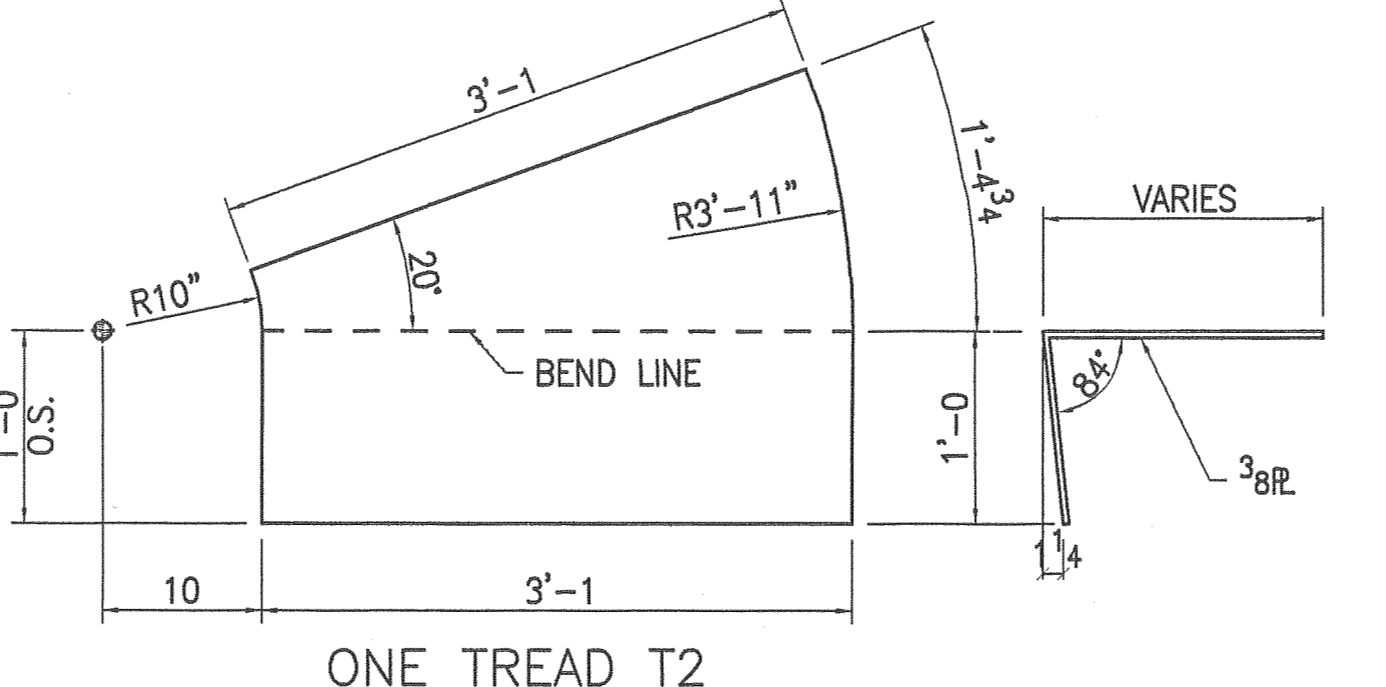
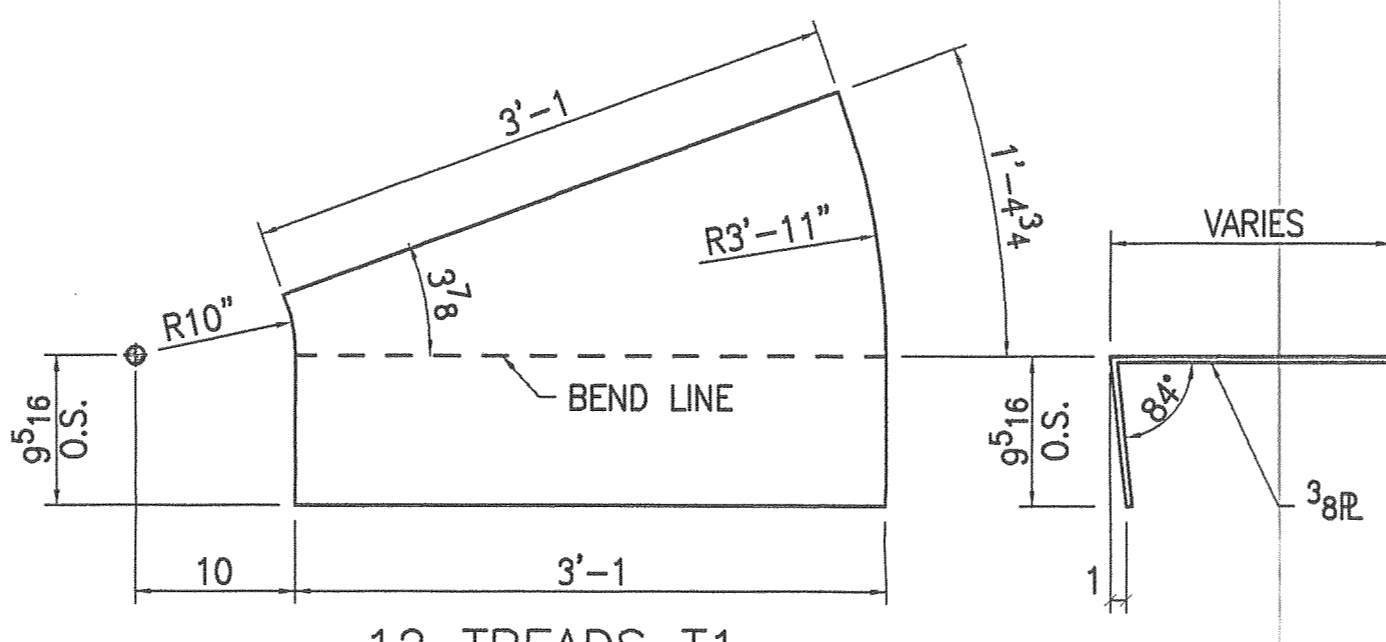
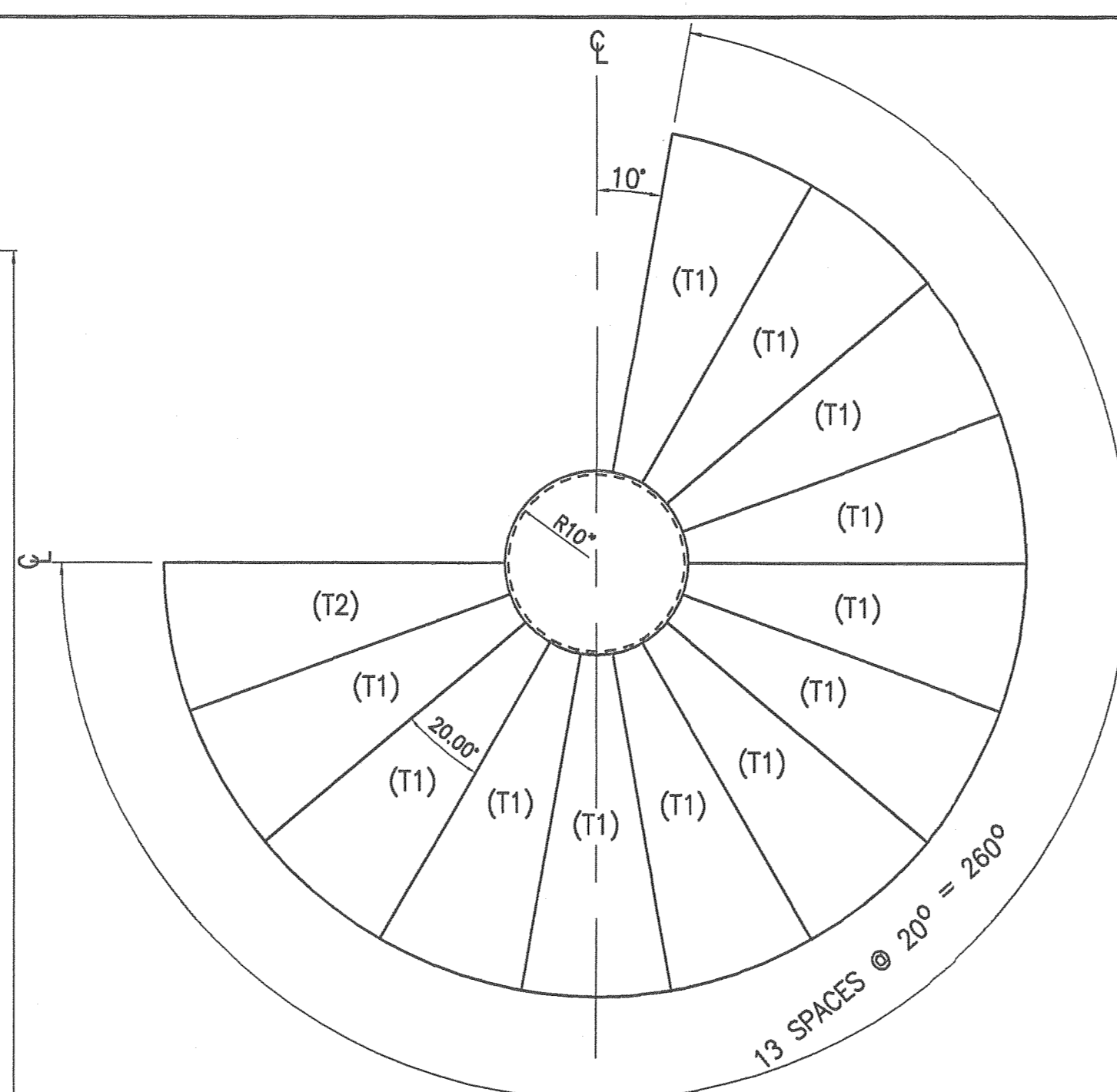
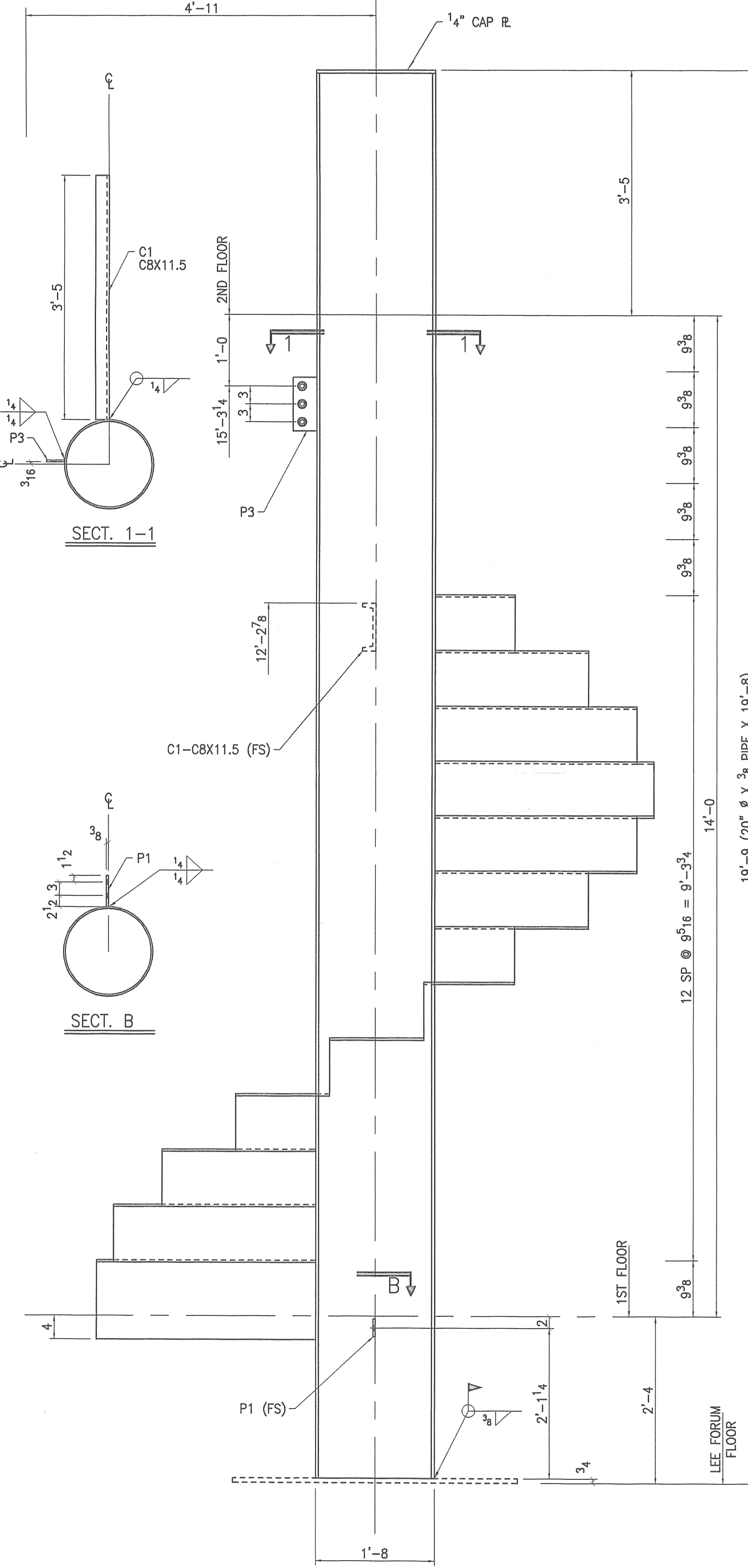


6



LINE	SHIP BILL OF MATERIAL							
	MARK	QUAN	PC MK	DESCRIPTION	FT	INCHES	WT	REMARKS
1								
2								
3	ST1	ONE		SPIRAL STAIR				
4		ONE		20" ϕ X ³ / ₈ PIPE	19	8	1525.20	
5		ONE	C1	C8X11.5	3	5	39.29	
6		ONE	P3	FB ³ / ₈ X4	0	9	3.82	
7		ONE	P1	FB ³ / ₈ X3	0	7	2.23	
8		12	T1	R ³ / ₈ X25 ³ / ₄	3	2	1247.59	
9		ONE	T2	R ³ / ₈ X29 ³ / ₄	3	2	120.12	
10								
11								
12								
13	T3	ONE		R ³ / ₈ X26	3	2	104.97	
14								
15	T4	ONE		R ³ / ₈ X11 ³ / ₈	3	1	44.72	
16								
17	T5	ONE		R ³ / ₈ X20 ³ / ₄	3	1	81.57	
18								
19								
20	BP1	ONE		R ³ / ₈ X48	4	0	489.60	
21								
22								
23	ST1R/L	2		STRINGERS				
24		ONE	ST1	C6X8.2	6	0 1/4	49.37	
25		4		FB ³ / ₈ X2	1	8	17.00	
26		2	C2	L3 ¹ / ₂ X3 ¹ / ₂ X5 ¹ / ₁₆	0	4	4.80	
27								
28								
29								
30	B1	ONE		W12X22	3	10 3/4	85.71	
31		ONE	ST1	L3X3X 3/8	6	0 1/4	43.35	
32								
33	A1	ONE		L3X3X 3/8	4	10 3/4	35.25	
34								
35	S1	ONE		SUPPORT				
36		ONE		C6X8.2	3	4 1/2	27.68	
37		ONE		L2X2X 1/4	3	1 1/2	9.97	
38		ONE		L3X3X 3/8	2	3 3/8	16.58	
39		ONE		FB ³ / ₈ X3	0	7	2.23	
40								
41								
42								TOTAL WEIGHT: 3951.05
43								
44								
45								
46								
47								
48								

PRINT RECORD			MATERIAL: AS NOTED		
USE	QUAN	DATE	HOLES: 13/16" DIA. UON		
OFA	5	11-21-07	ELECTRODES: E70XX		
			FIELD CONN:		
SHOP			SURFACE PREP: SSPC-SP3		
			PAINT: 1-S/C RED OXIDE PRIMER		
FIELD			REF. DWGS:		
CUSTOMER: WRIGHT-RYAN CONSTRUCTION					
JOB: UNIVERSITY COMMONS, U.S.M.					
DESCRIPTION: SPIRAL STAIR DETAIL					
ARCHITECT: KOETTER/KIM & ASSOCIATES INC.					
ENGINEER: WEIDLINGER					
DRAWN BY JRC 7-9-07		CHKD BY	DRAWING NUMBER 5	REVISION NUMBER	
LMC LIGHT IRON, INC.				JOB NUMBER 2700	
E RANGE ROAD - P.O. BOX 521 LIMERICK, MAINE 04048 TEL: (207) 793-9957				FAX: (207) 793-3919	