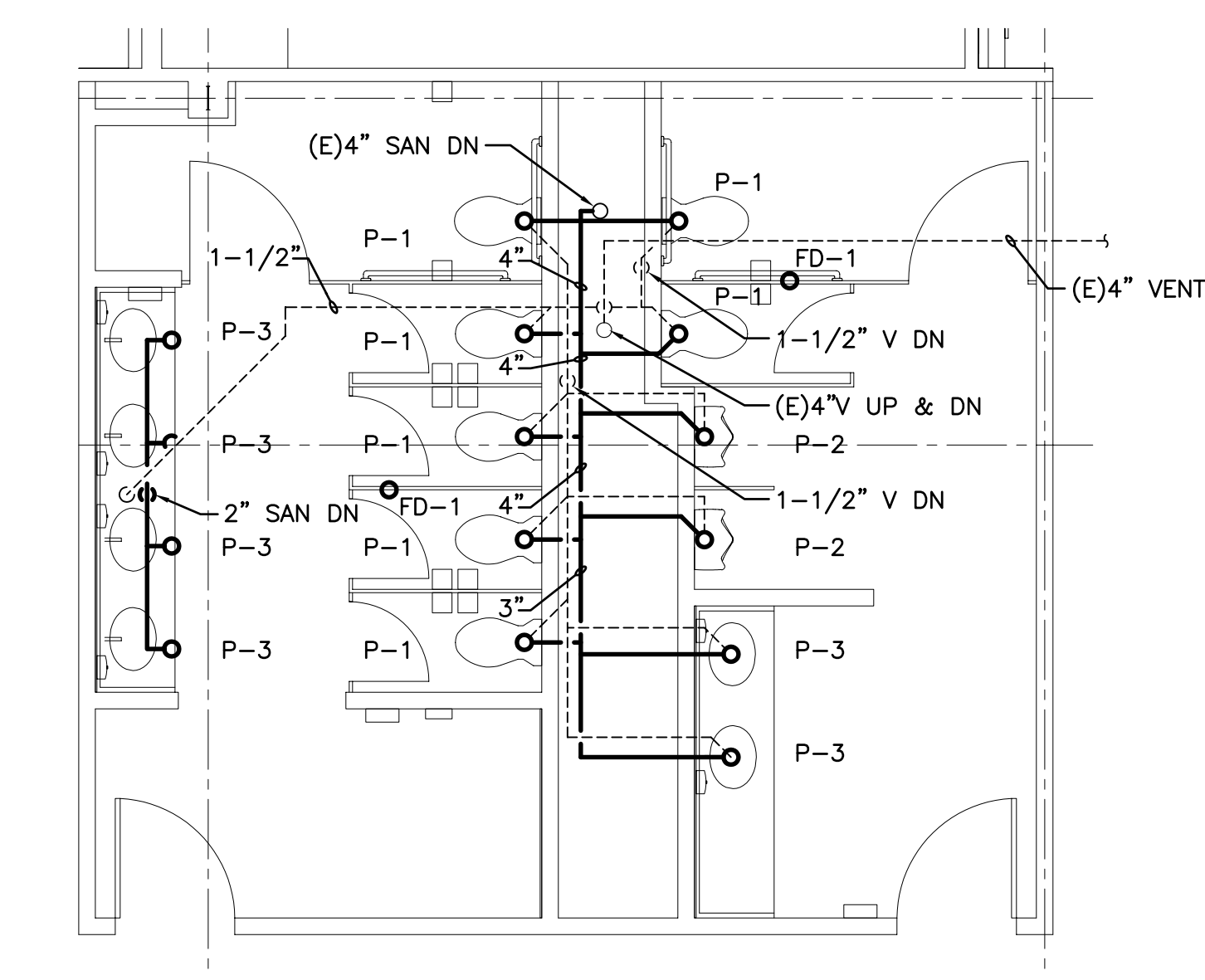
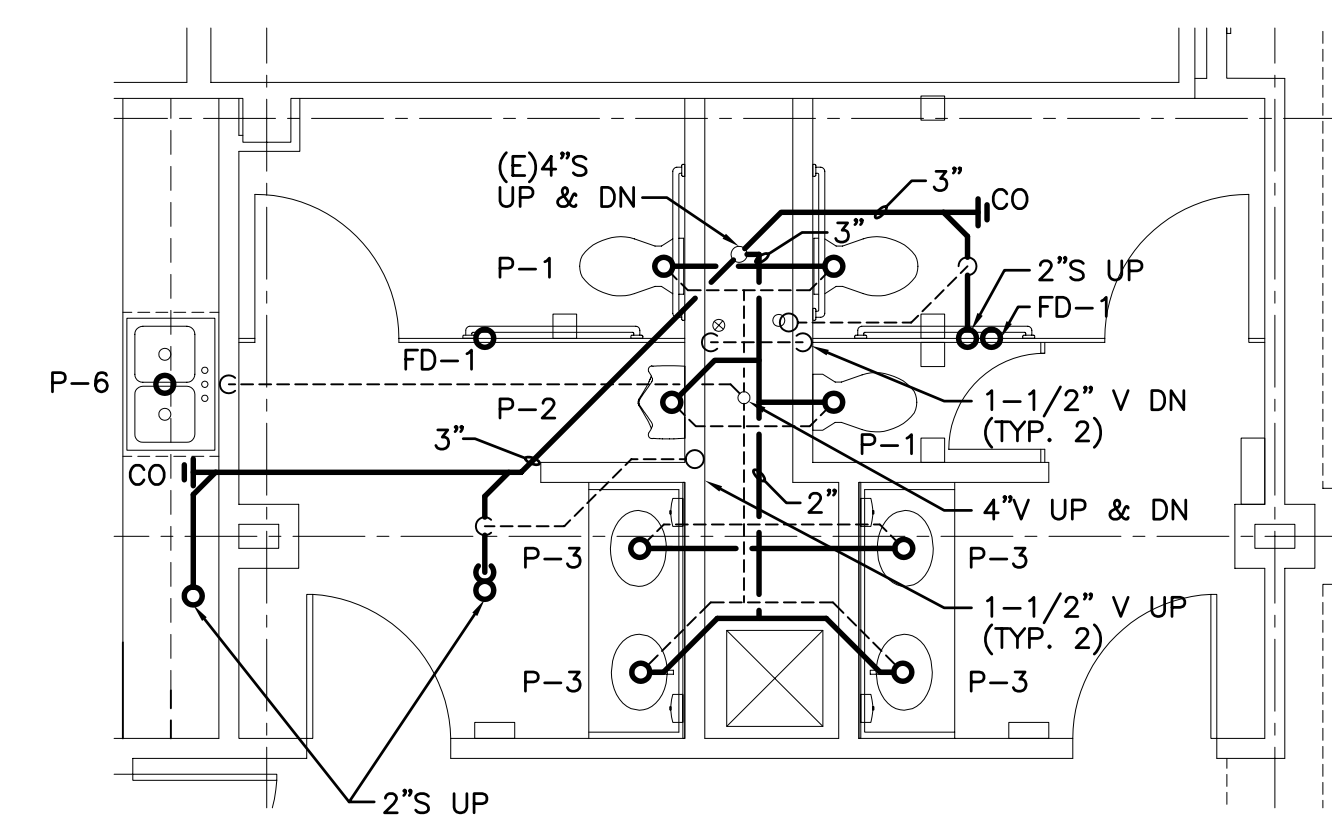
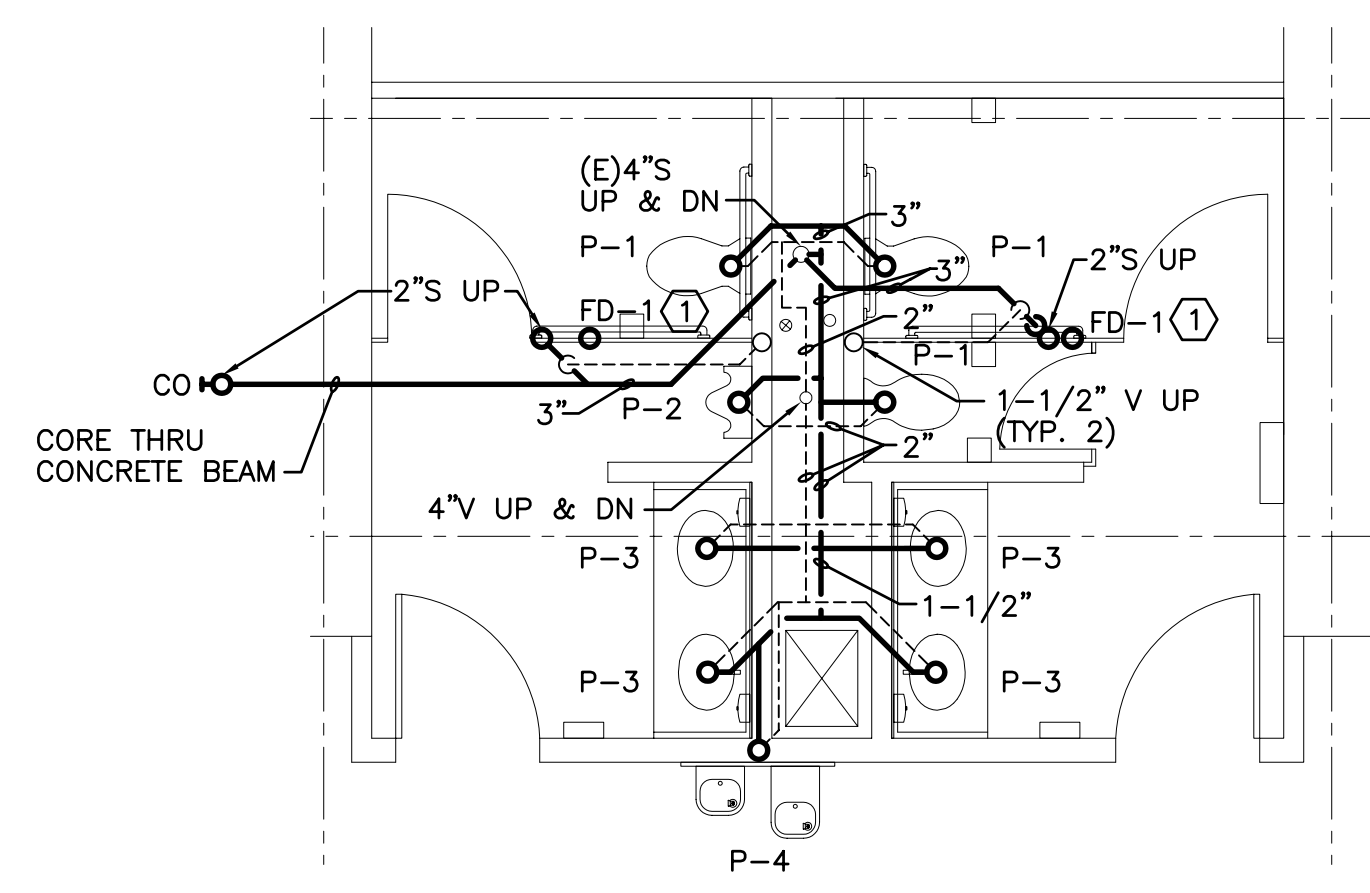


NOTE:
1. SEE M-001 FOR LEGEND AND ABBREVIATIONS.

KEYED NOTE:
① TWO FD-1 2" SANITARY DRAINS WILL CONNECT TO EXISTING 4" SANITARY LINE ABOVE 4TH FLOOR BATHROOM CEILINGS.



H1 FIFTH FLOOR SANITARY & VENT PLAN

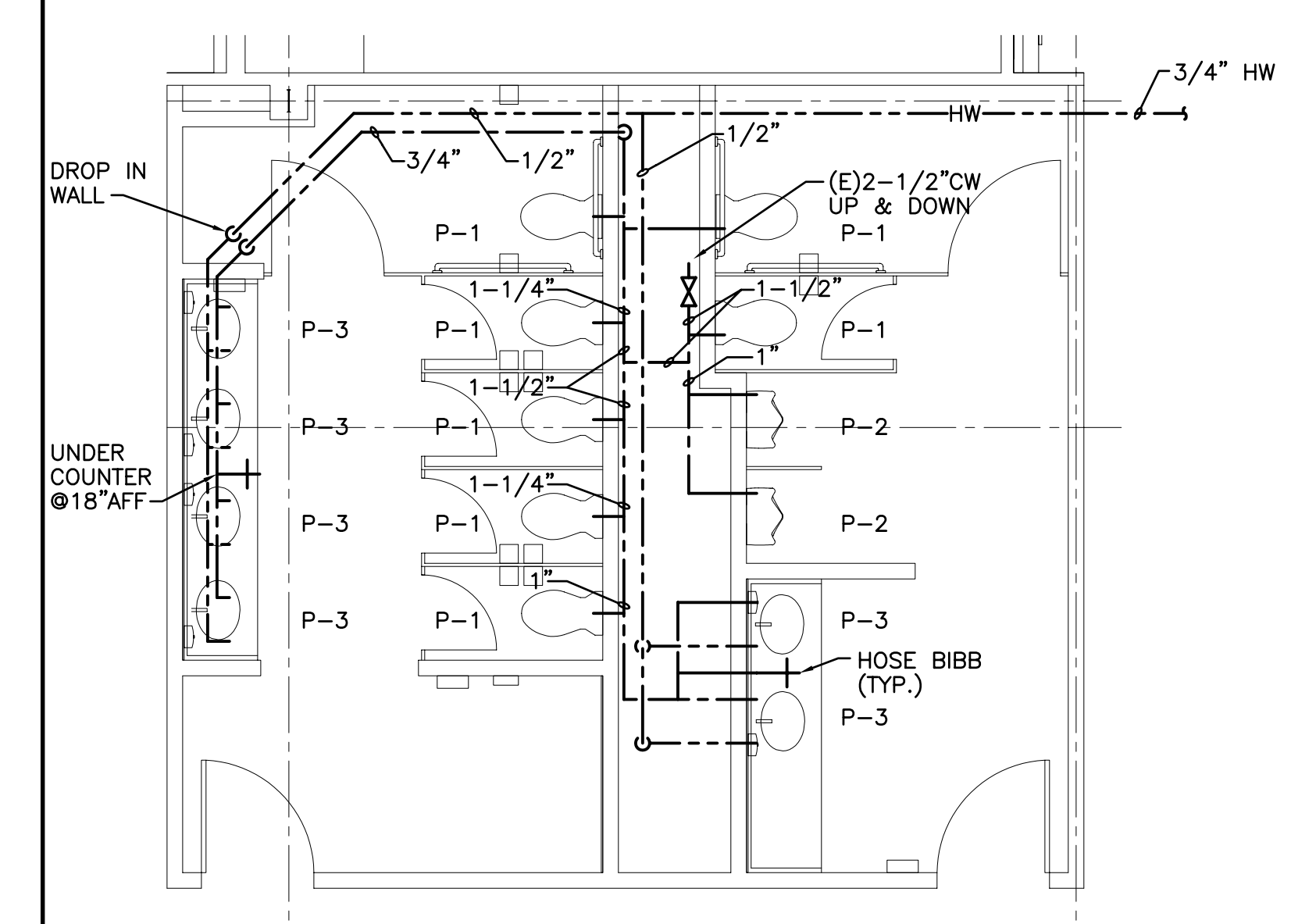
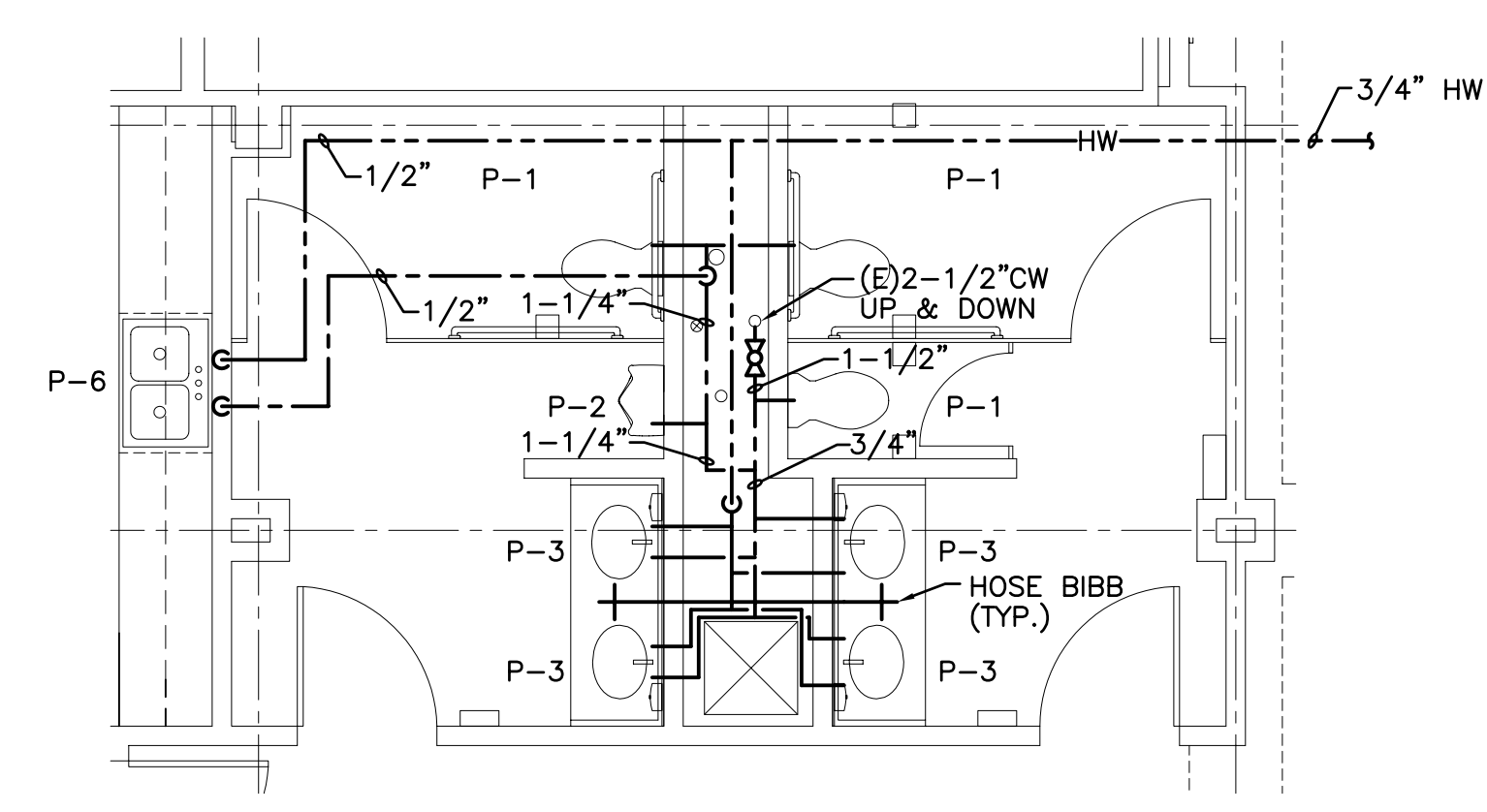
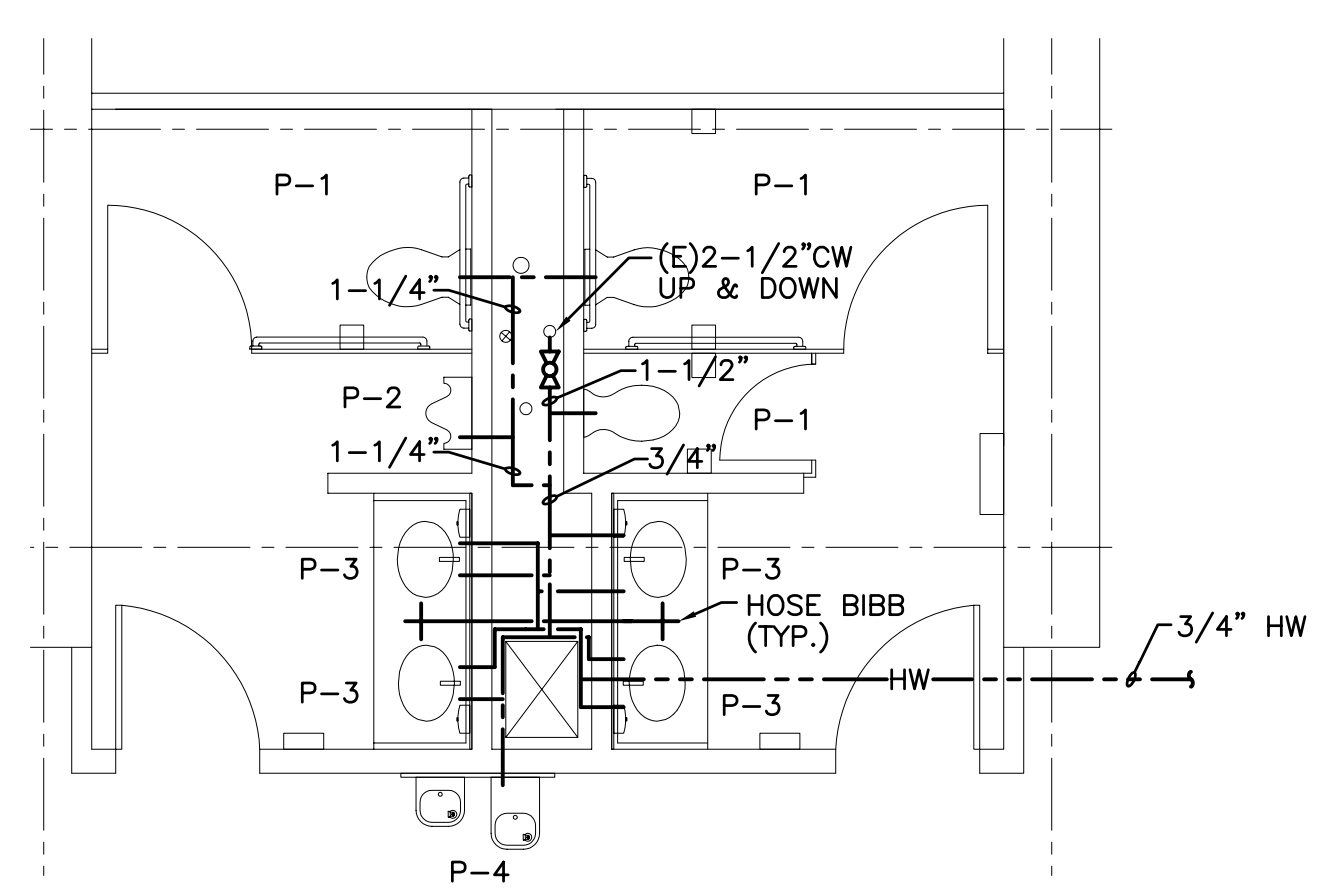
1/4"=1'-0"

H7 SIXTH FLOOR SANITARY & VENT PLAN

1/4"=1'-0"

H13 SEVENTH FLOOR SANITARY & VENT PLAN

1/4"=1'-0"



A1 FIFTH FLOOR DOMESTIC WATER PLAN

1/4"=1'-0"

A7 SIXTH FLOOR DOMESTIC WATER PLAN

1/4"=1'-0"

A13 SEVENTH FLOOR DOMESTIC WATER PLAN

1/4"=1'-0"

0	ISSUED FOR CONSTRUCTION	3-17-03
REV.	DESCRIPTION	DATE

ISSUED FOR CONSTRUCTION
3-17-03

CURRENT ISSUE STATUS:

SM RT ARCHITECTURE ENGINEERING PLANNING
SMRT
144 Fore Street, P.O. Box 618
Portland, Maine 04104
tel. (207) 773-3846
fax. (207) 772-1070

GLICKMAN LIBRARY
UNIVERSITY OF SOUTHERN MAINE
PORTLAND, MAINE

PROJECT: DOMESTIC WATER & SANITARY/VENT PART PLANS

SHEET TITLE:	SCALE: 1/4"=1'-0"	DATE: 3-17-03
PROJECT MANAGER: SLB	GRAPHIC SCALE: 0" 1"	
JOB CAP/DRAWN: CTB/LAC		
A/E OF RECORD: DBR	SHEET No.	
SMRT CAD FILE: PL401-99092		
PROJECT No. 99092		

PL401