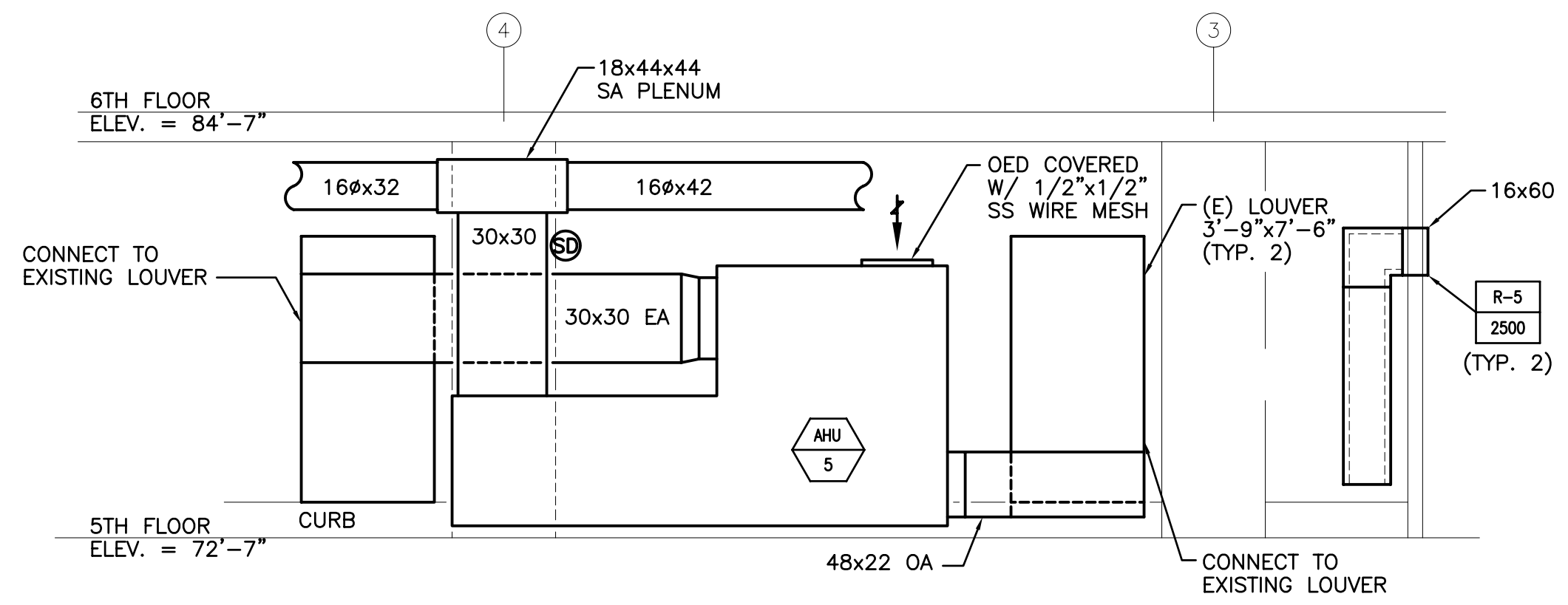


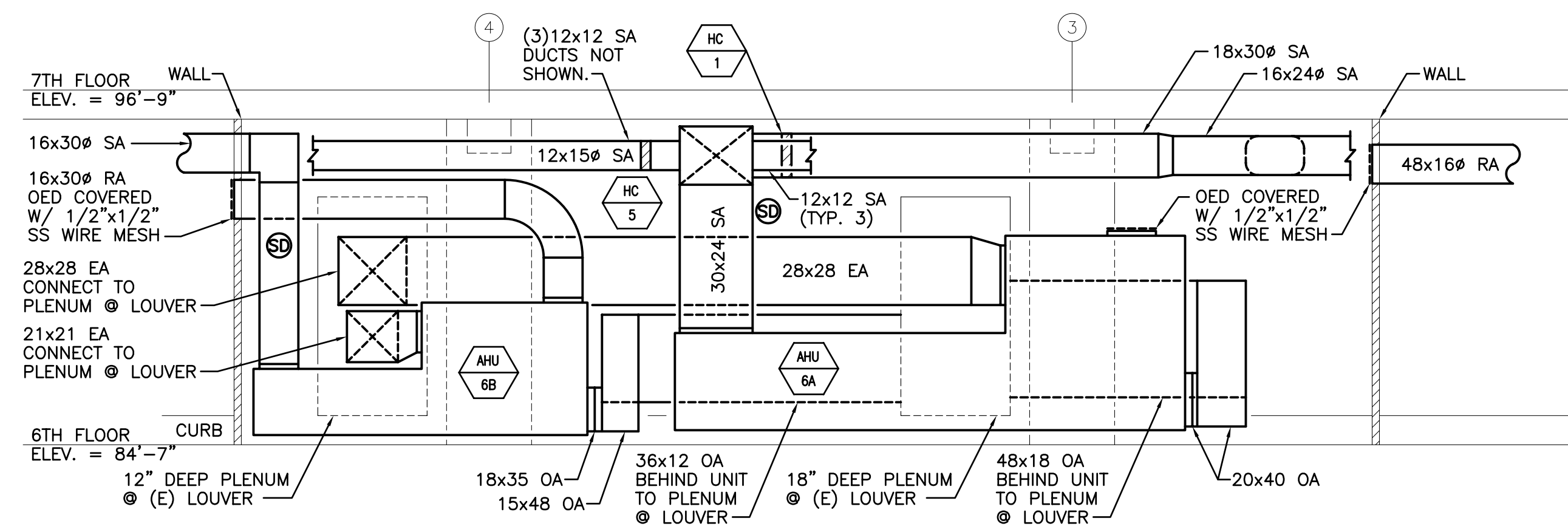
**M4 6TH FLOOR MECHANICAL ROOM SECTION**

1/4"=1'-0" MH106



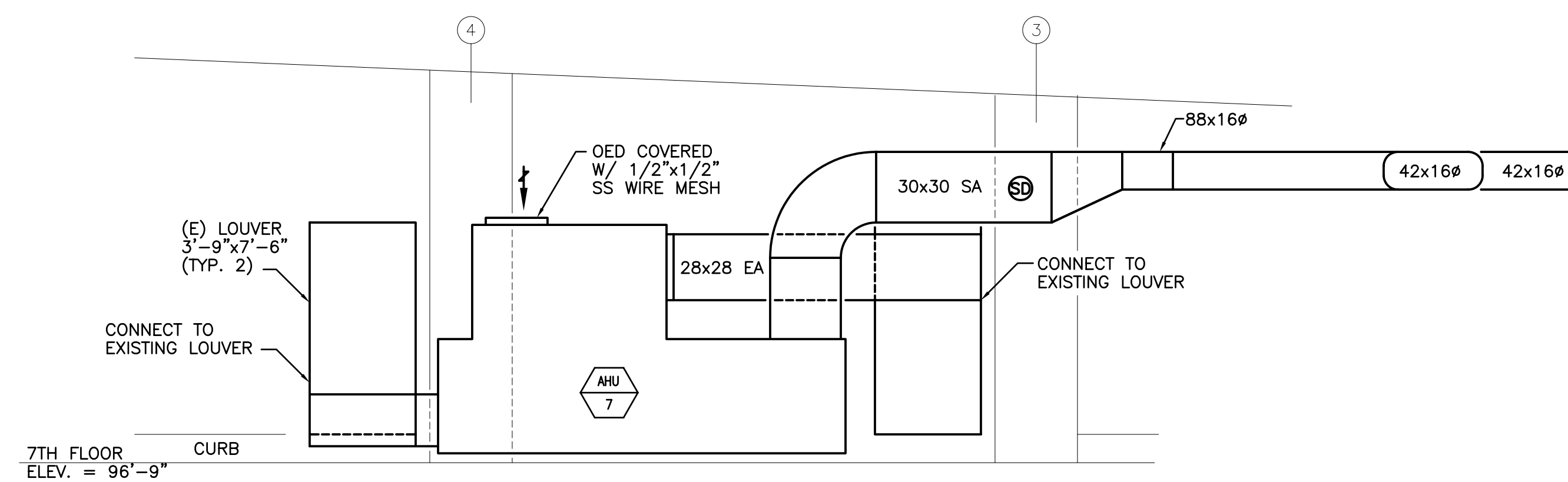
**M12 5TH FLOOR MECHANICAL ROOM SECTION**

1/4"=1'-0" MH105



**F10 6TH FLOOR MECHANICAL ROOM SECTION - ADD ALT. #4**

1/4"=1'-0" MH106



**A10 7TH FLOOR MECHANICAL ROOM SECTION**

1/4"=1'-0" MH107

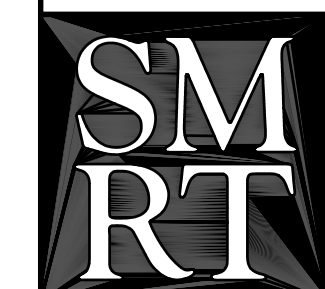
**NOTE:**

1. SEE M-001 FOR LEGEND AND ABBREVIATIONS.

0	ISSUED FOR CONSTRUCTION	3-17-03
REV.	DESCRIPTION	DATE

**ISSUED FOR CONSTRUCTION**  
**3-17-03**

CURRENT ISSUE STATUS:



ARCHITECTURE ENGINEERING PLANNING  
SMRT  
144 Fore Street/P.O. Box 618  
Portland, Maine 04104  
tel. (207) 772-3846  
fax. (207) 772-1070

**GLICKMAN LIBRARY**  
**UNIVERSITY OF SOUTHERN MAINE**  
PORTLAND, MAINE

PROJECT: **SECTIONS**

SHEET TITLE:		DATE: 3-17-03
SCALE: AS NOTED	PROJECT MANAGER: SLB	GRAPHIC SCALE: 0" = 1'
JOB CAP/DRAWN: LAC	A/E OF RECORD: DBR	SHEET No.
SMRT CAD FILE: MH301-99092	PROJECT No. 99092	<b>MH301</b>