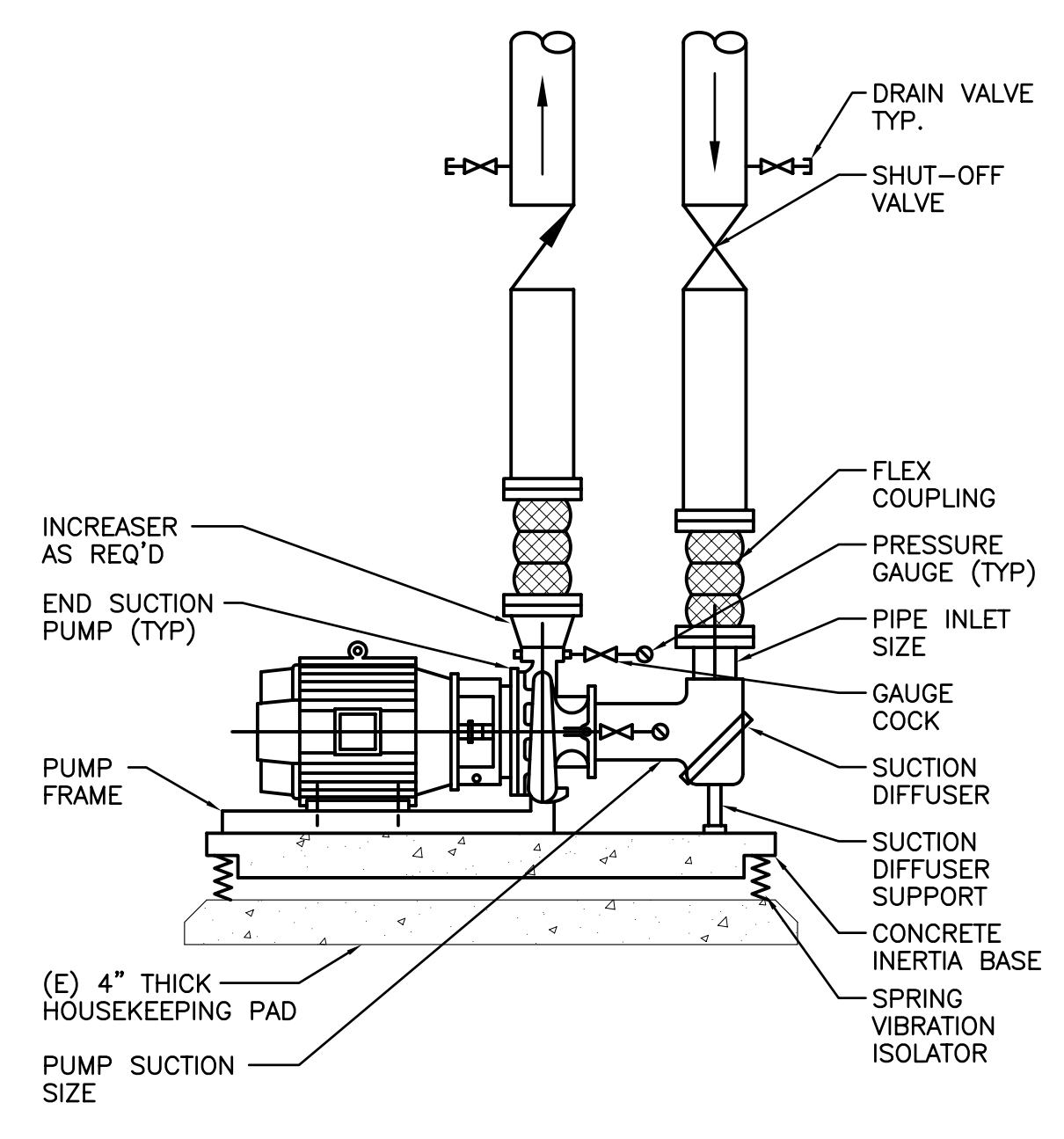
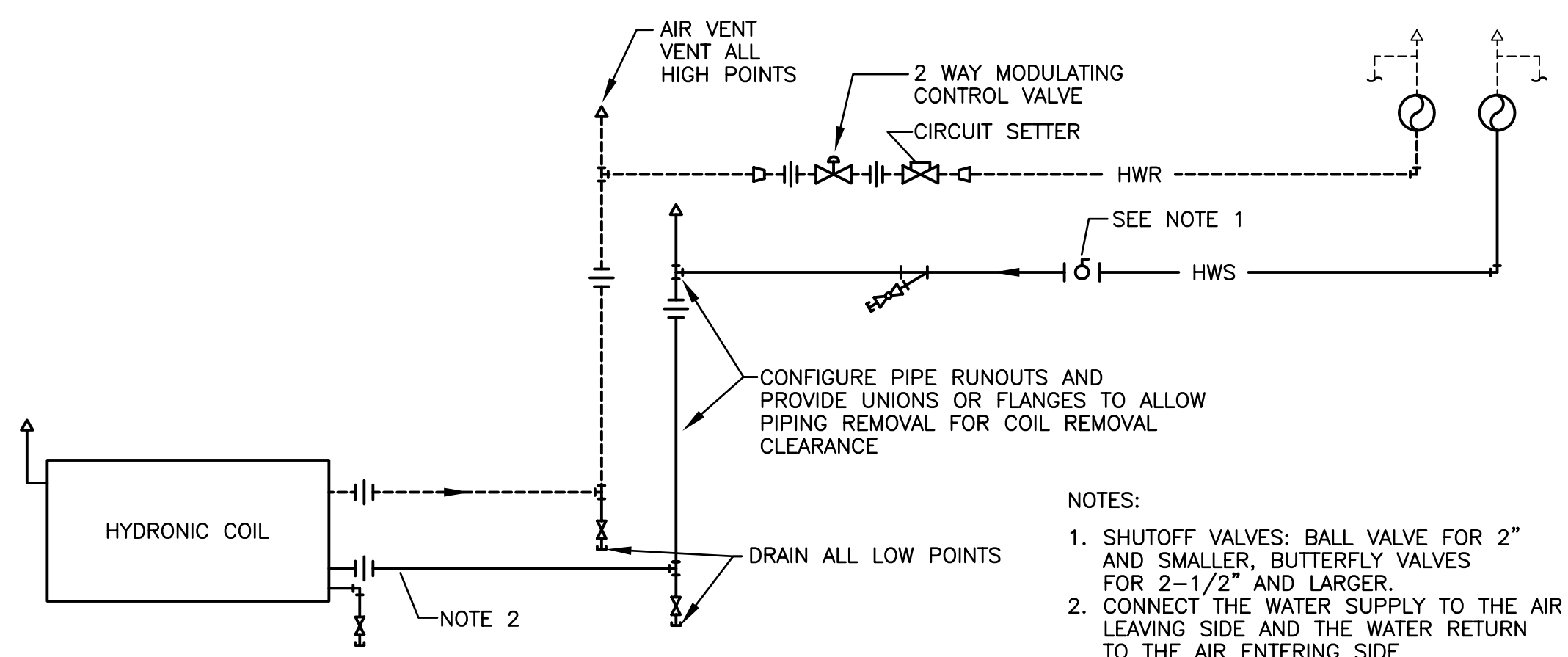


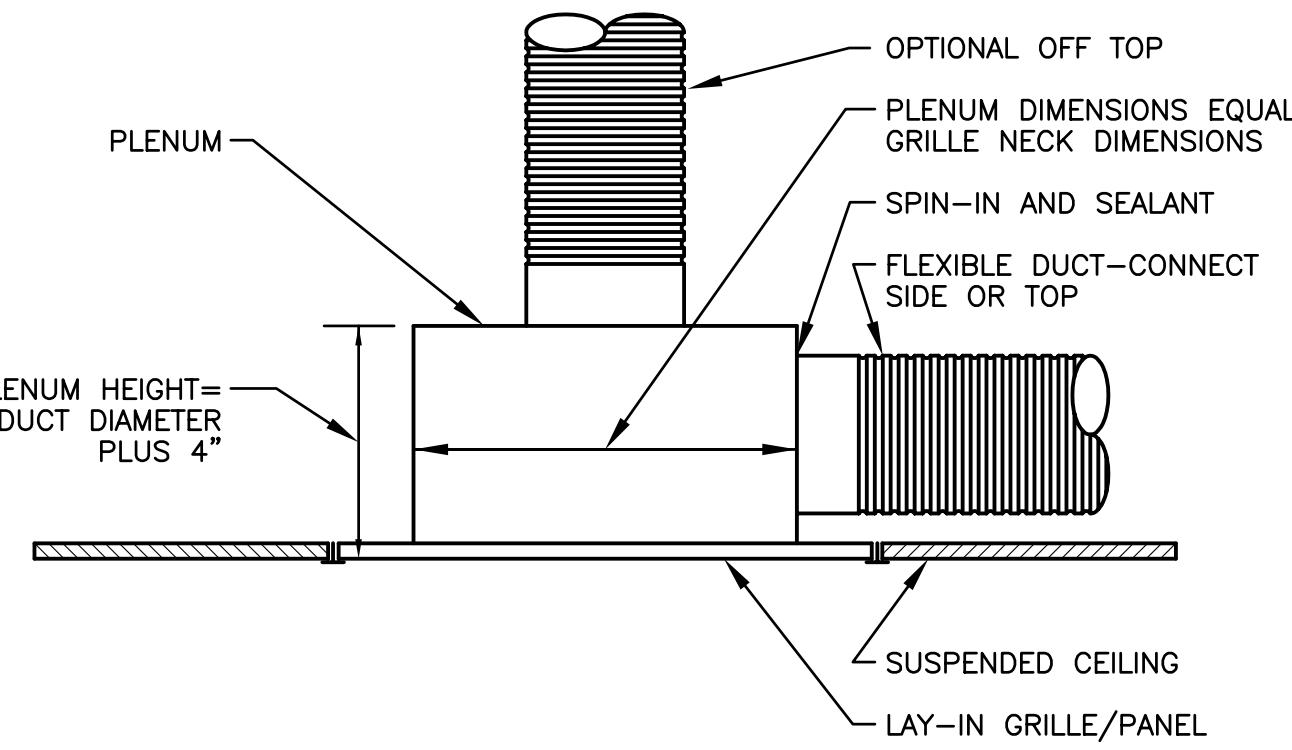
J3 VAV BOX SCHEMATIC
NOT TO SCALE



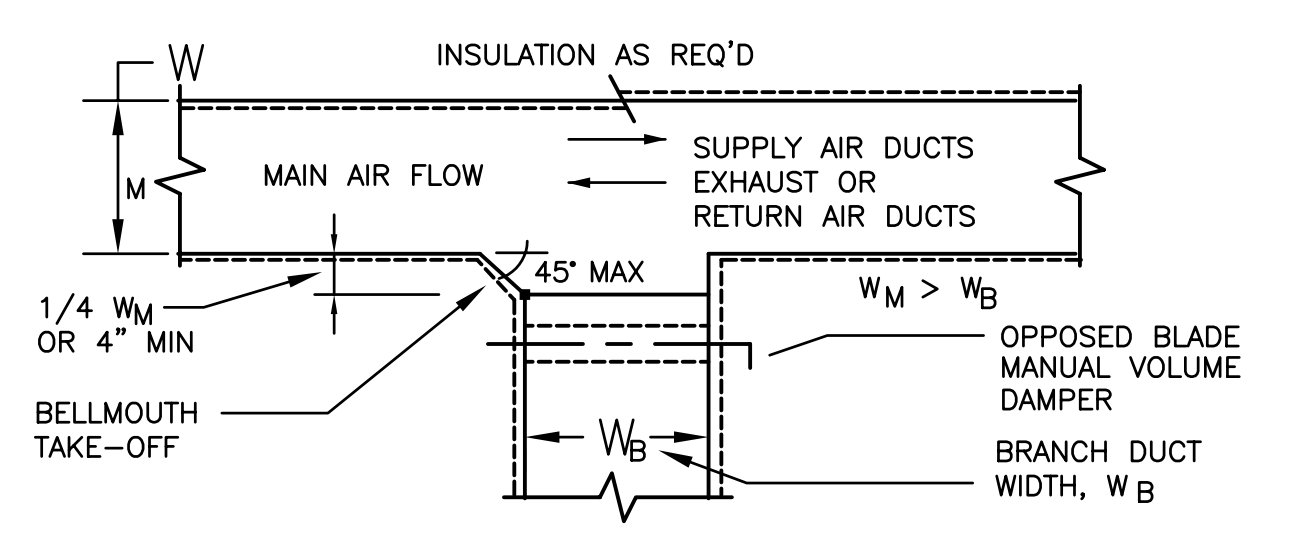
M8 BASE MOUNTED PUMP DETAIL
NOT TO SCALE



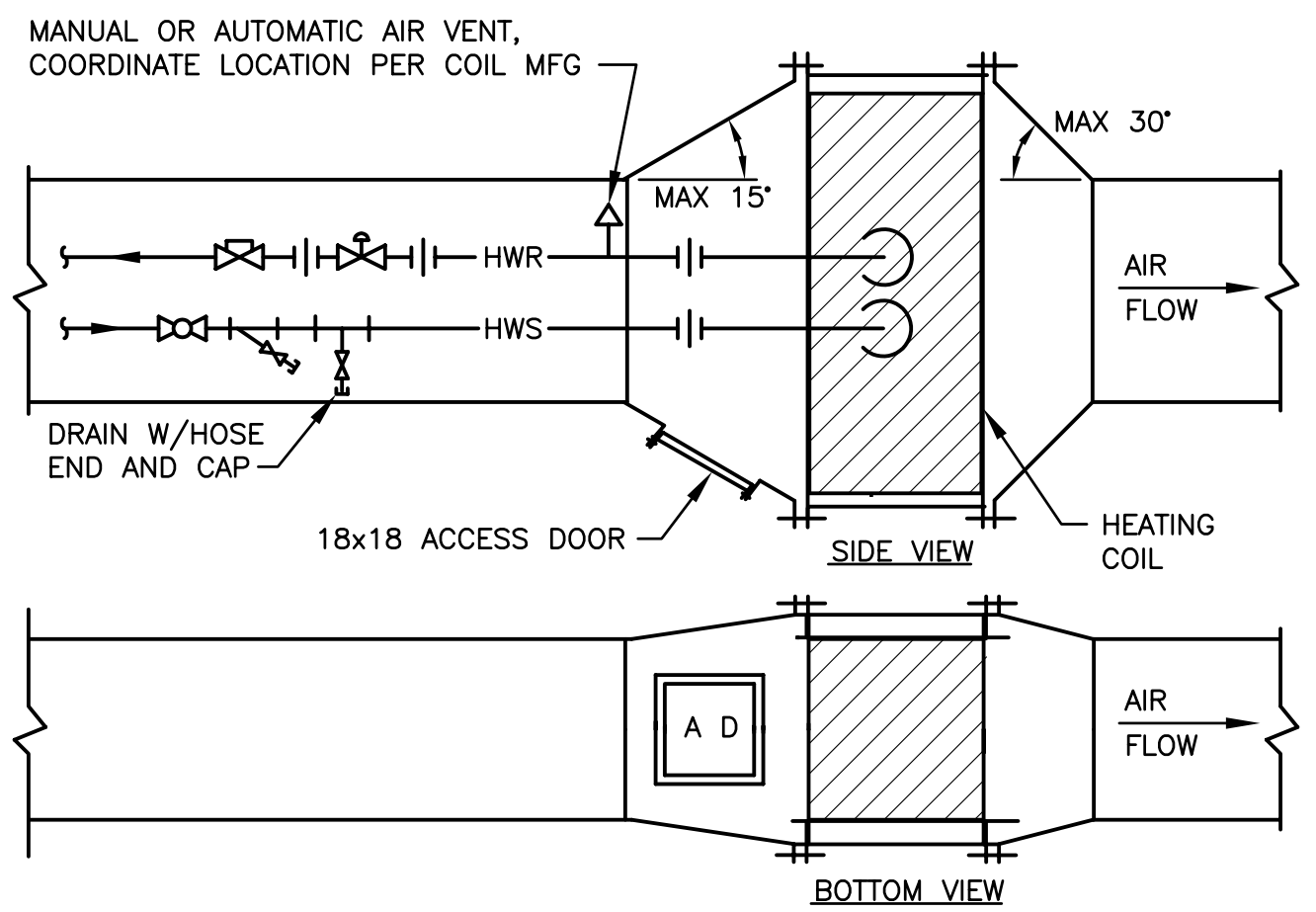
M12 DUCT MOUNTED REHEAT COIL, TWO-WAY VALVE
NOT TO SCALE TYP. FOR AIR HANDLER MOUNTED COILS



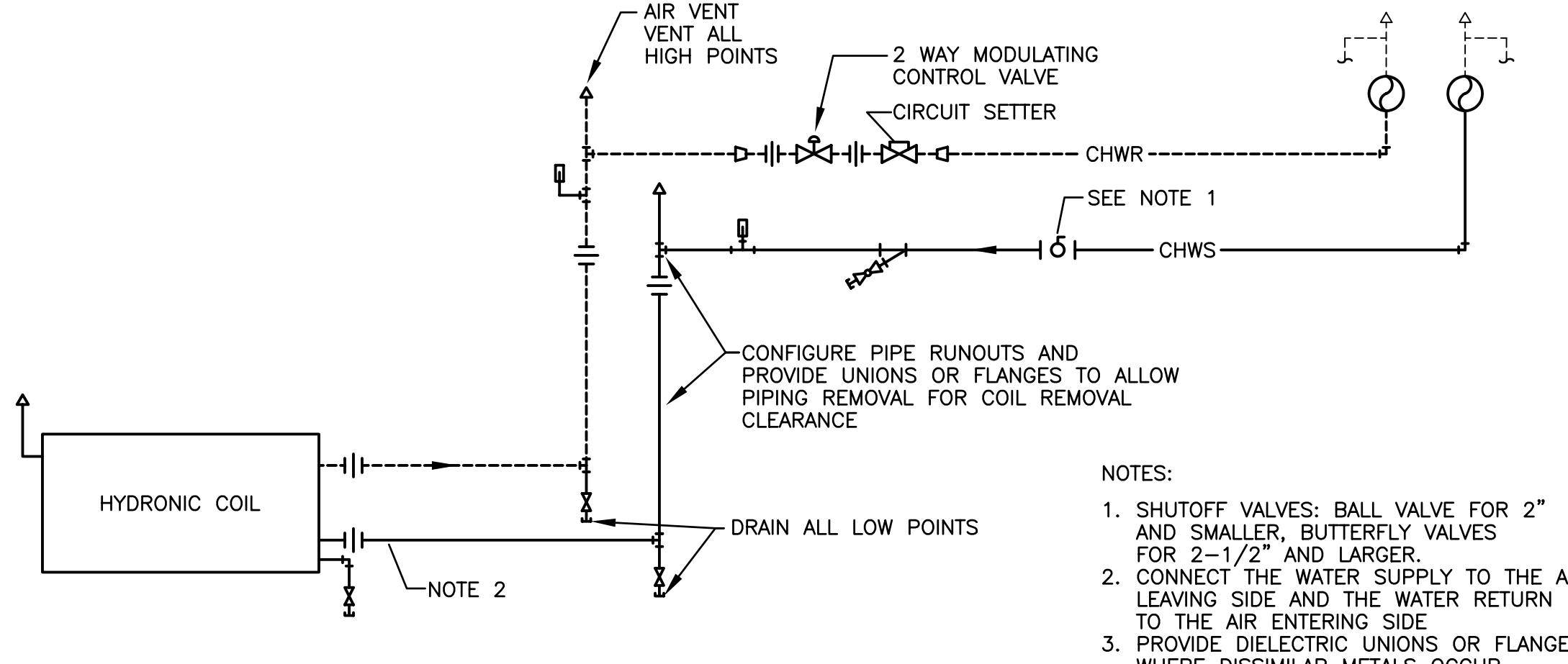
J8 RETURN & TRANSFER GRILLE PLENUM
NOT TO SCALE



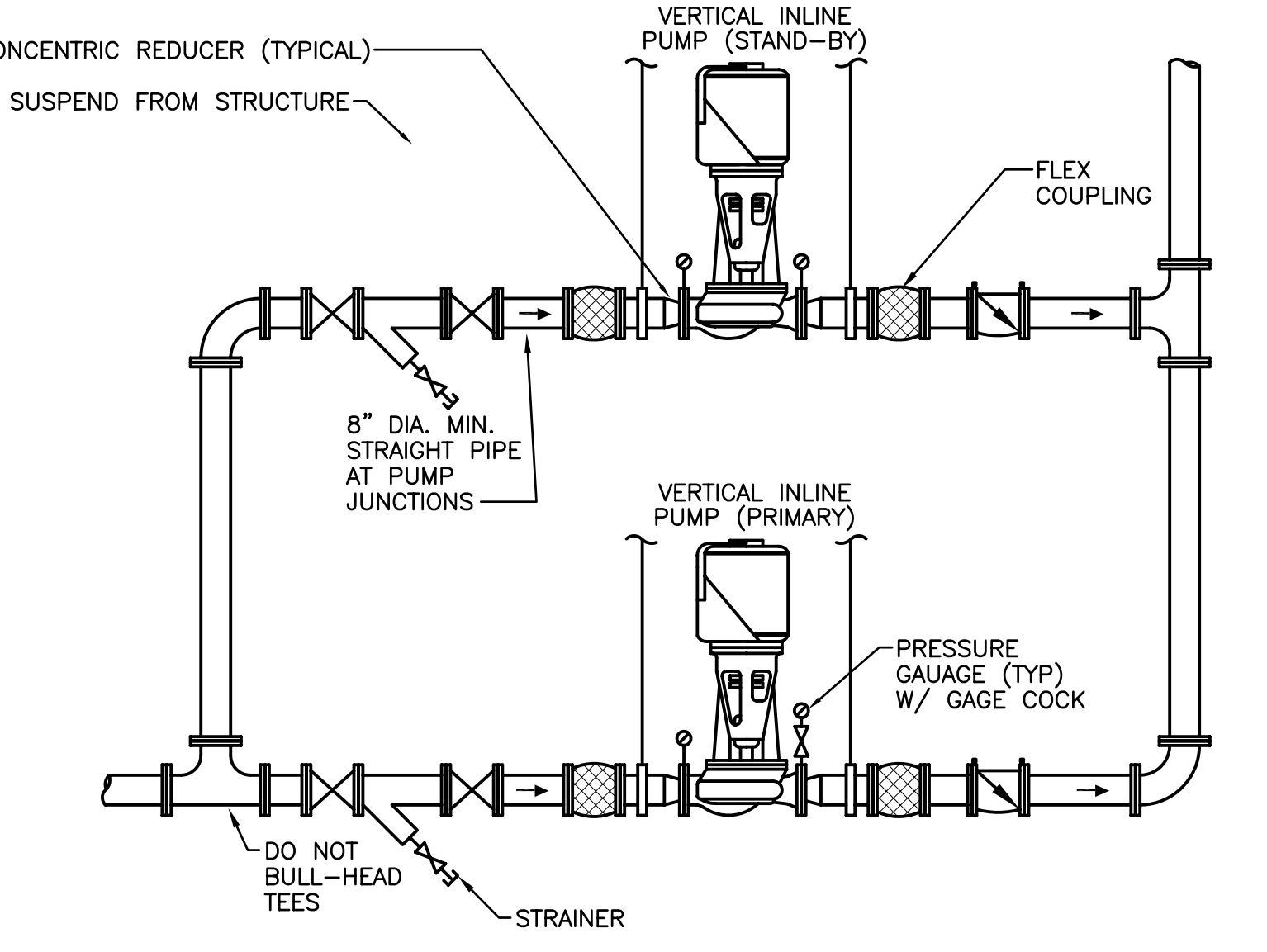
J12 DUCT MAIN AND BRANCH TAKE OFFS
NOT TO SCALE



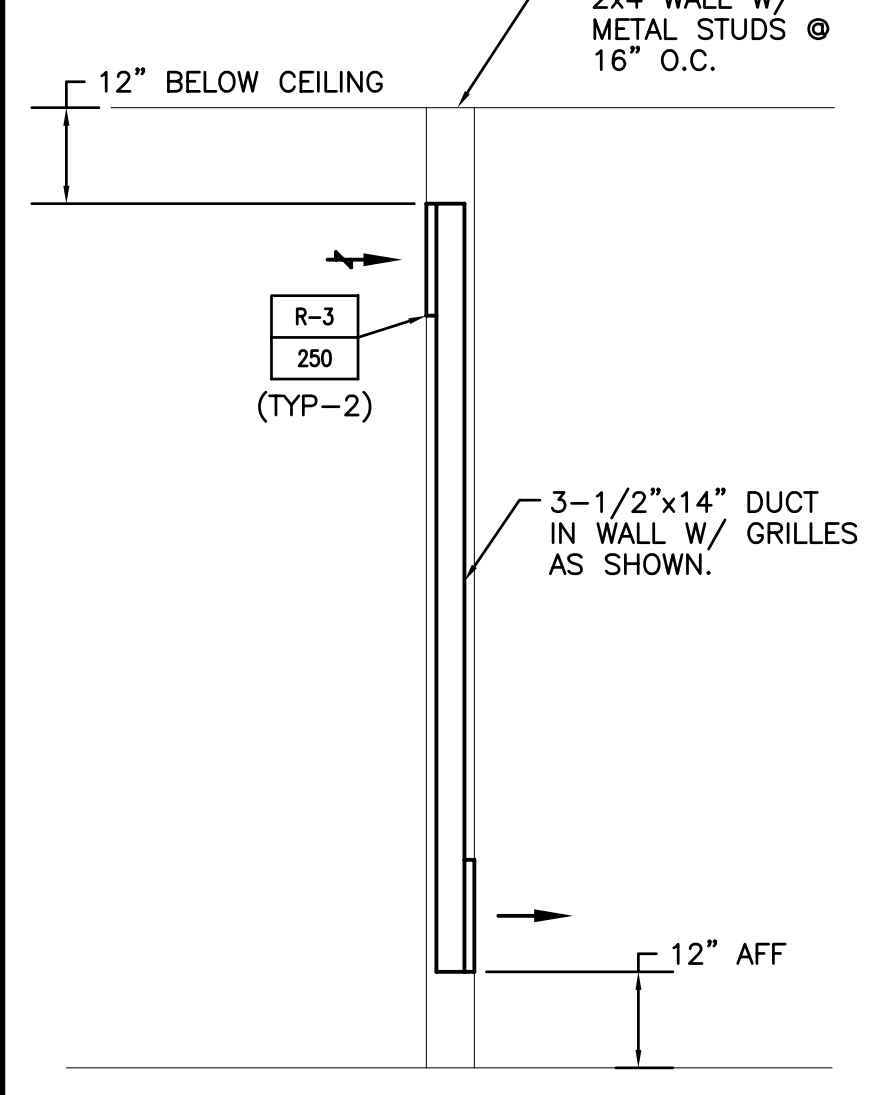
E8 DUCT HEATING COIL PIPING SCHEMATIC
NOT TO SCALE



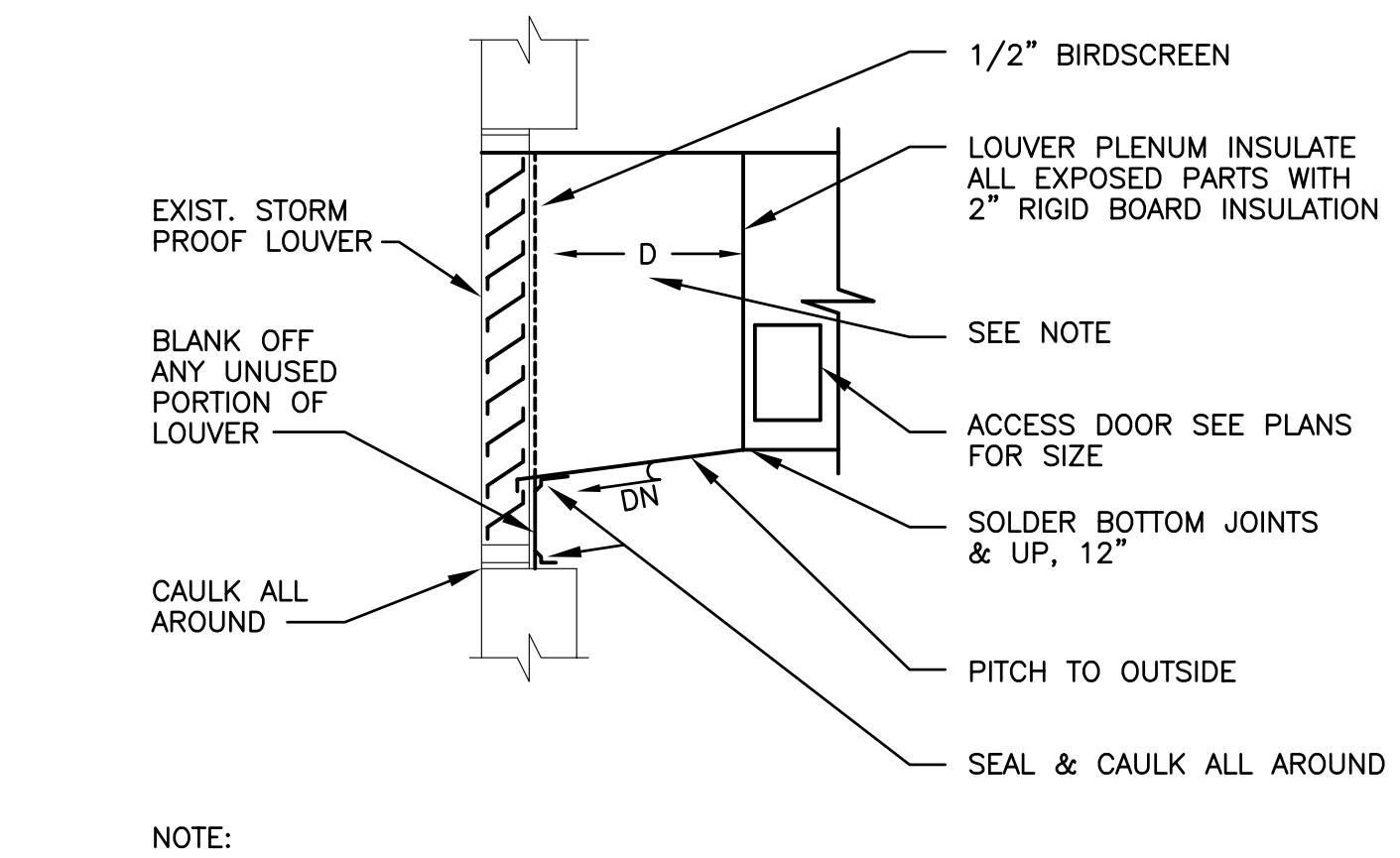
E12 CHILLED WATER PIPING DETAIL, 1 TIER, TWO-WAY VALVE
NOT TO SCALE TYP. FOR AIR HANDLER MOUNTED COILS



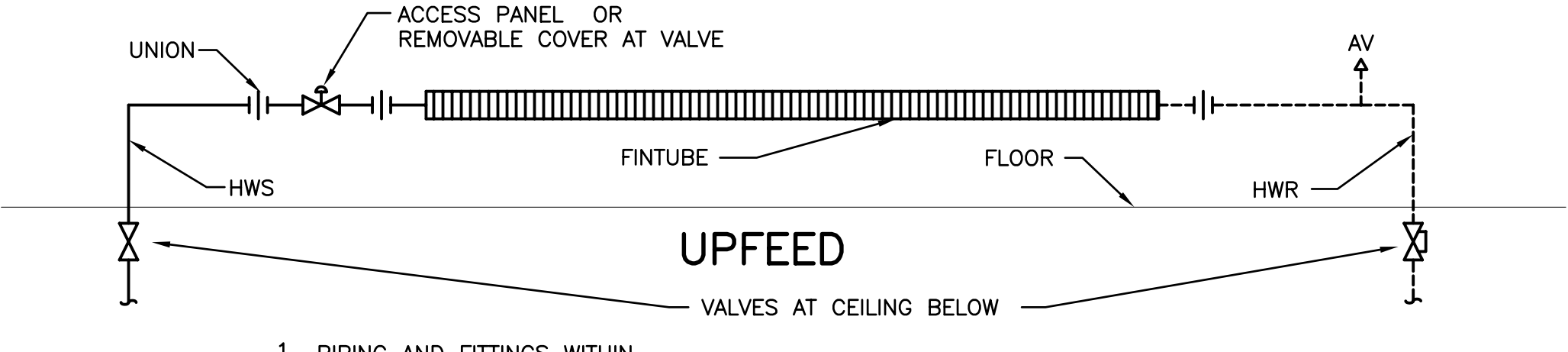
A1 VERTICAL IN-LINE PUMP PIPING DETAIL
NOT TO SCALE



A5 RETURN GRILLE DETAIL
1/2"=1'-0" MH103



A8 LOUVER CONNECTION
NOT TO SCALE



A12 FIN TUBE RADIATION PIPING DETAIL
NOT TO SCALE MP106

NOTE:
1. SEE M-001 FOR LEGEND AND ABBREVIATIONS.

- NOTES:
1. SHUTOFF VALVES: BALL VALVE FOR 2" AND SMALLER, BUTTERFLY VALVES FOR 2-1/2" AND LARGER.
 2. CONNECT THE WATER SUPPLY TO THE AIR LEAVING SIDE AND THE WATER RETURN TO THE AIR ENTERING SIDE.
 3. PROVIDE DIELECTRIC UNIONS OR FLANGES WHERE DISSIMILAR METALS OCCUR.
 4. MINIMUM 5" PIPE DIA. OF STRAIGHT PIPE AT INLET AND OUTLET OF CIRCUIT SETTERS.

0	ISSUED FOR CONSTRUCTION	3-17-03
REV.	DESCRIPTION	DATE

ISSUED FOR CONSTRUCTION 3-17-03

CURRENT ISSUE STATUS:

--	--	--

ARCHITECTURE ENGINEERING PLANNING
SMRT
144 Fore Street/P.O. Box 618
Portland, Maine 04104
tel. (207) 772-3846
fax. (207) 772-1070

GLICKMAN LIBRARY
UNIVERSITY OF SOUTHERN MAINE
PORTLAND, MAINE

DETAILS

SHEET TITLE:

SCALE:	AS NOTED	DATE:	3-17-03
PROJECT MANAGER:	SLB	GRAPHIC SCALE:	0" = 1"
JOB CAP/DRAWN:	CTB/LAC	SHEET No.	
A/E OF RECORD:	DBR	SMRT CAD FILE:	M-501-99092
PROJECT No.	99092		M-501