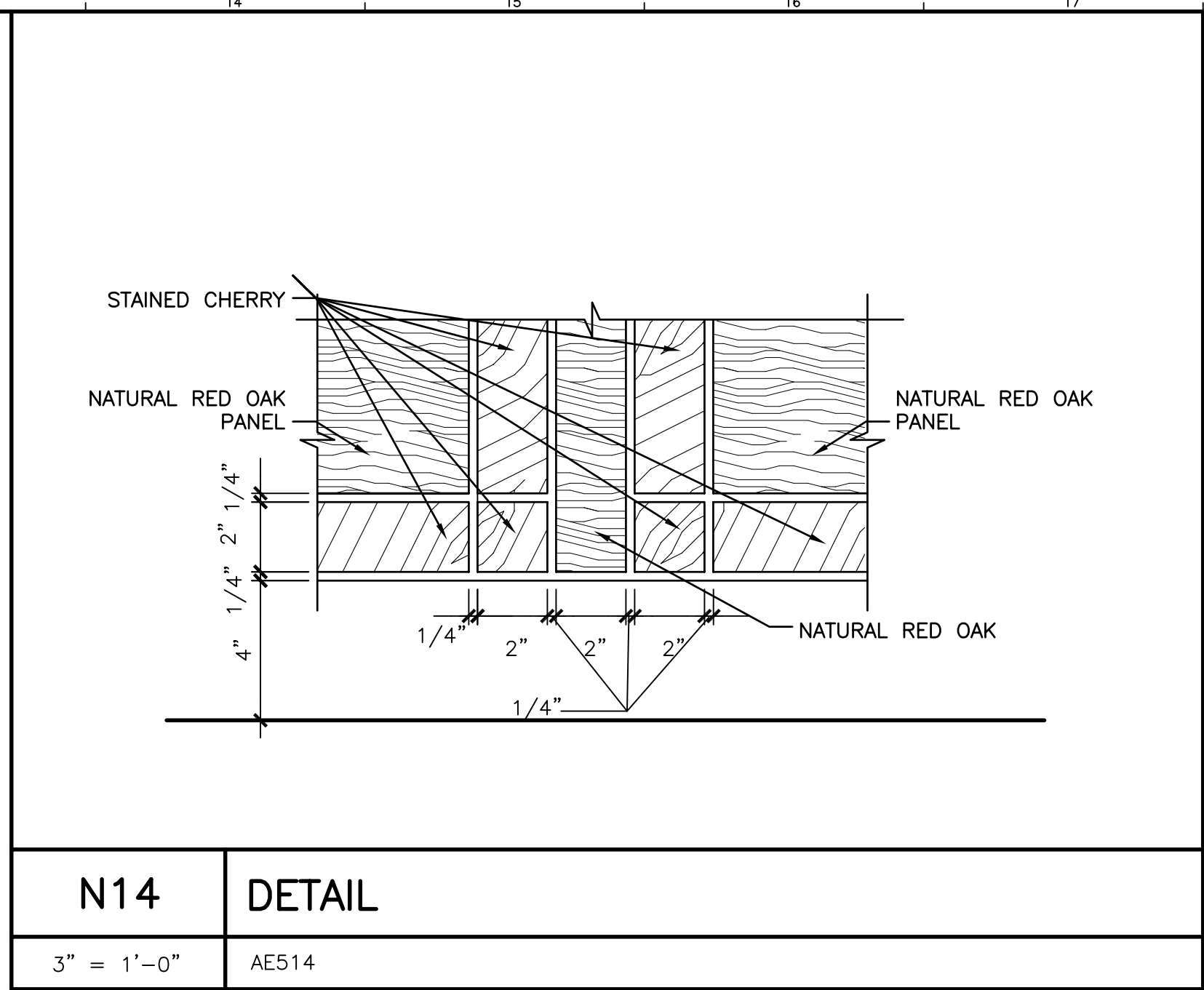


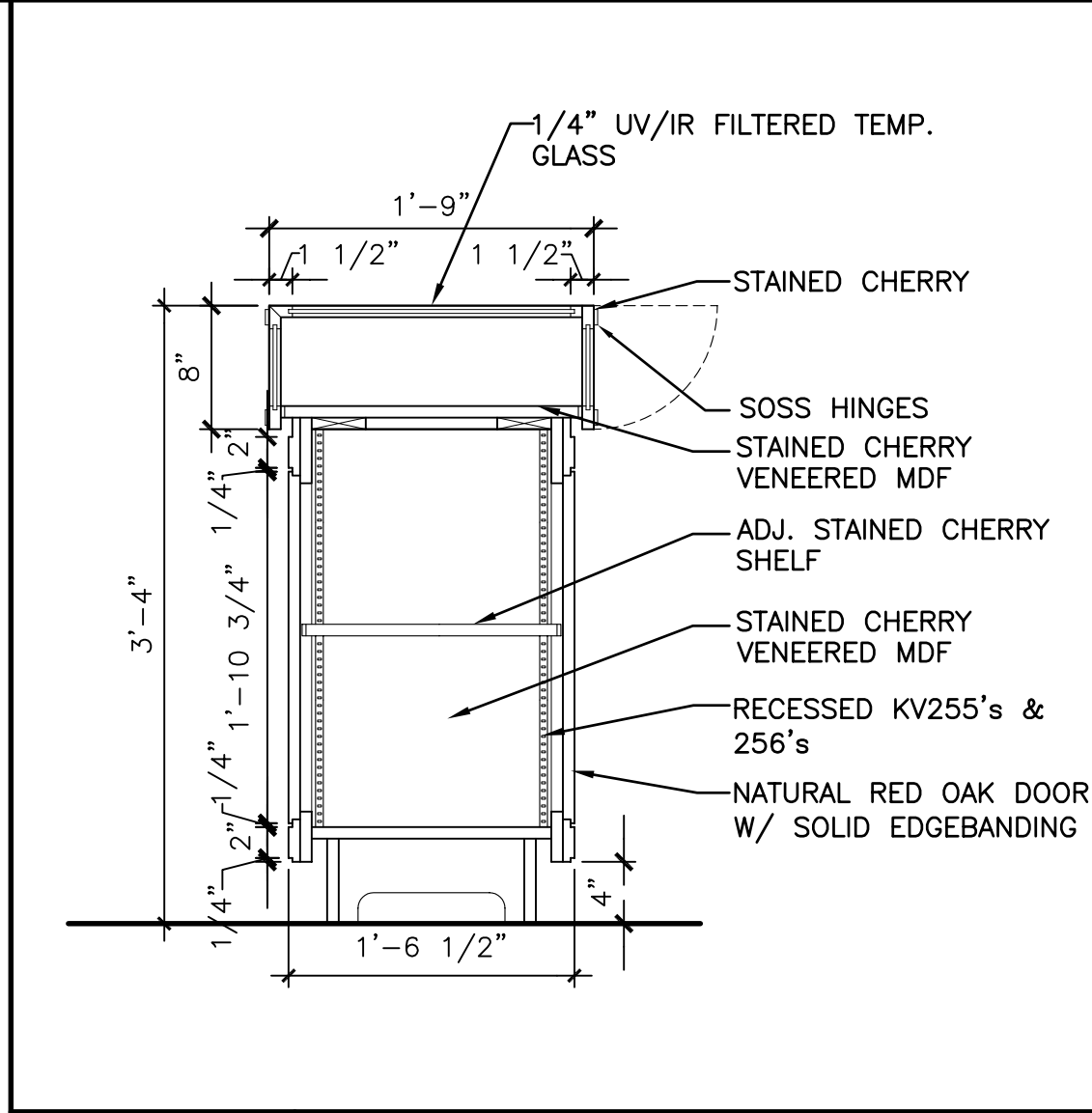
N4 DETAIL
3" = 1'-0" AE210, AE514



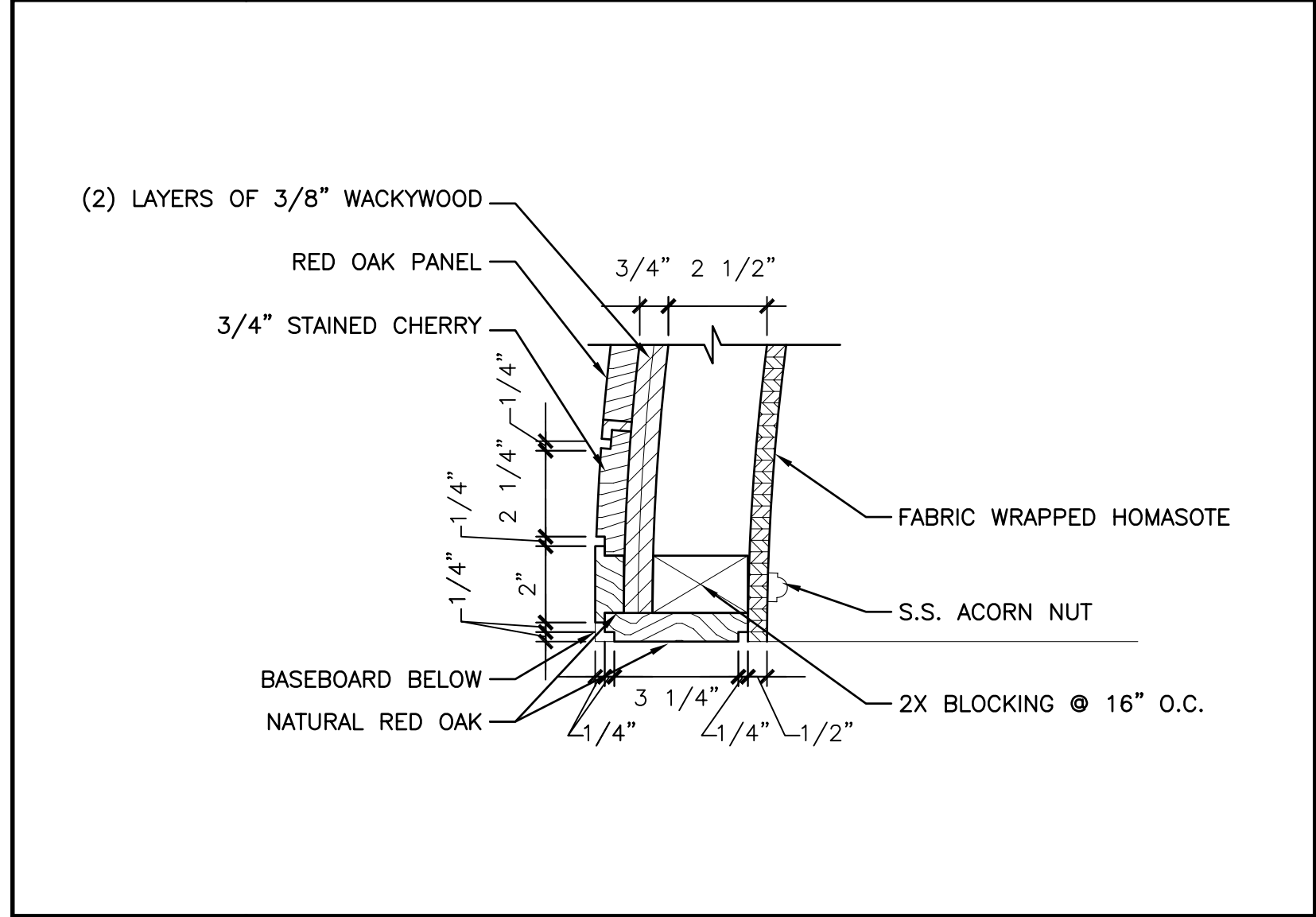
N14 DETAIL
3" = 1'-0" AE514

GENERAL NOTES:
1. RE 61002 FOR GENERAL NOTES.

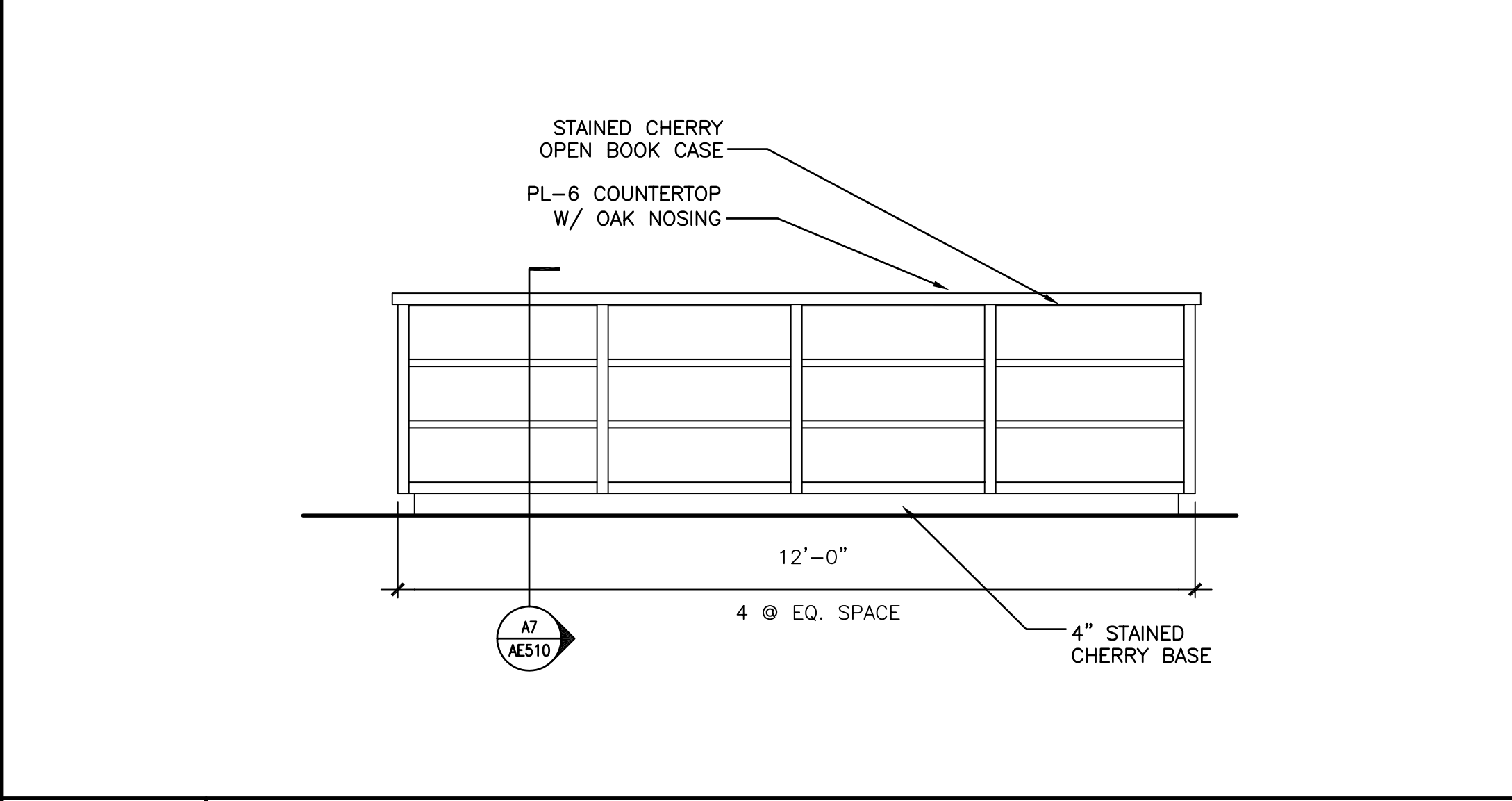
CASEWORK NOTES:
1. PROVIDE UPPER CABINET WHERE SHOWN IN ELEVATION ONLY.
2. PROVIDE CUTOUPS IN ALL CASEWORK AS REQUIRED FOR ELECTRICAL/ DATA WIRING. PROVIDE PLASTIC GROMETS @ ALL VISIBLE CUTOUPS IN CASEWORK.
3. PROVIDE A 1 1/2" WOOD FILLER ON CASEWORK WHERE TWO CABINETS JOIN @ AN INSIDE CORNER U.N.O.
4. ADD 1 1/2" FILLER ON CASEWORK WHERE TWO CABINETS JOIN @ AN INSIDE CORNER U.N.O.
5. ALL EXPOSED CABINET END PANELS TO BE FINISHED TO MATCH CABINETS AS SPECIFIED, U.N.O.
6. CUSTOM MILLWORK IS TO BE BUILT AS DRAW AND ALL DIMENSIONS ARE TO BE FIELD VERIFIED BEFORE CONSTRUCTION BEGINS. NOTIFY THE ARCHITECT OF ANY DISCREPANCIES IN WRITING PRIOR TO PROCEEDING WITH THE WORK.
7. RE: F11/AE501 FOR STAINED CHERRY BASE PROFILES, TYP.
8. RE: SPECS FOR FINISH MATERIAL SELECTIONS.



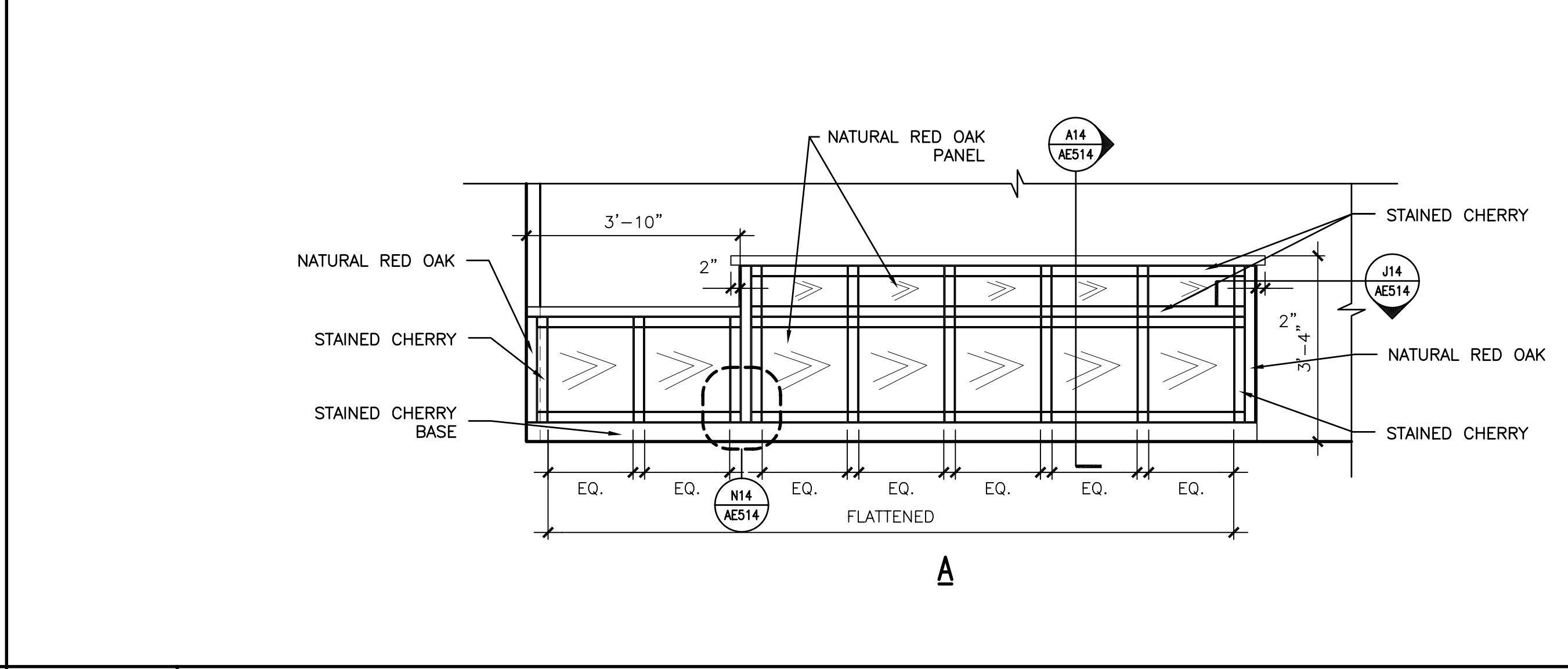
J6 CASEWORK SECTION
1" = 1'-0" AE513



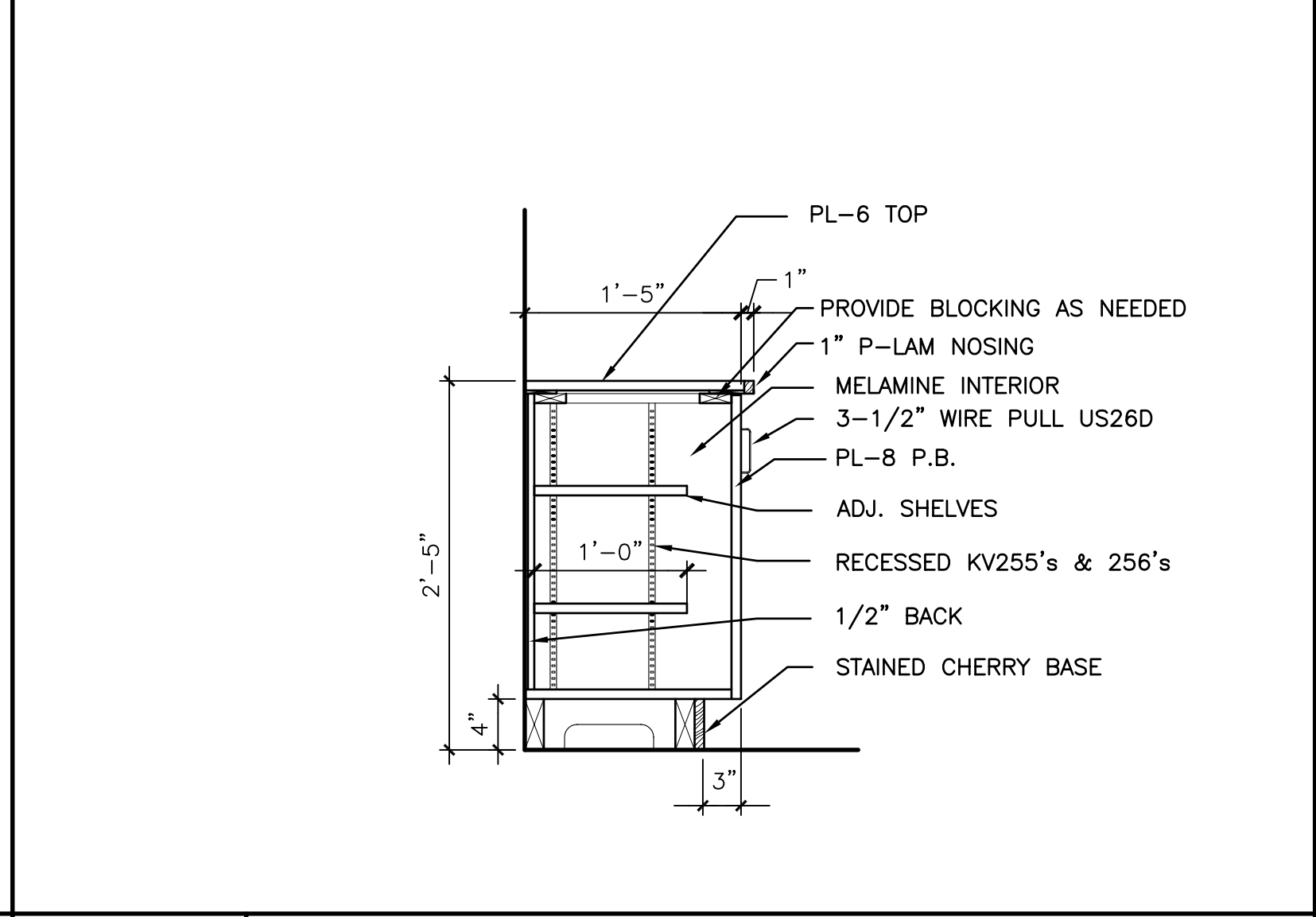
J14 SECTION @ RECEPTION DESK
3" = 1'-0" AE514



E1 ELEVATION @ CASEWORK IN GREAT READING RM. #726
1/2" = 1'-0" AE120



E6 ELEVATION @ RECEPTION DESK IN READING ROOM 614
1/2" = 1'-0" AE120

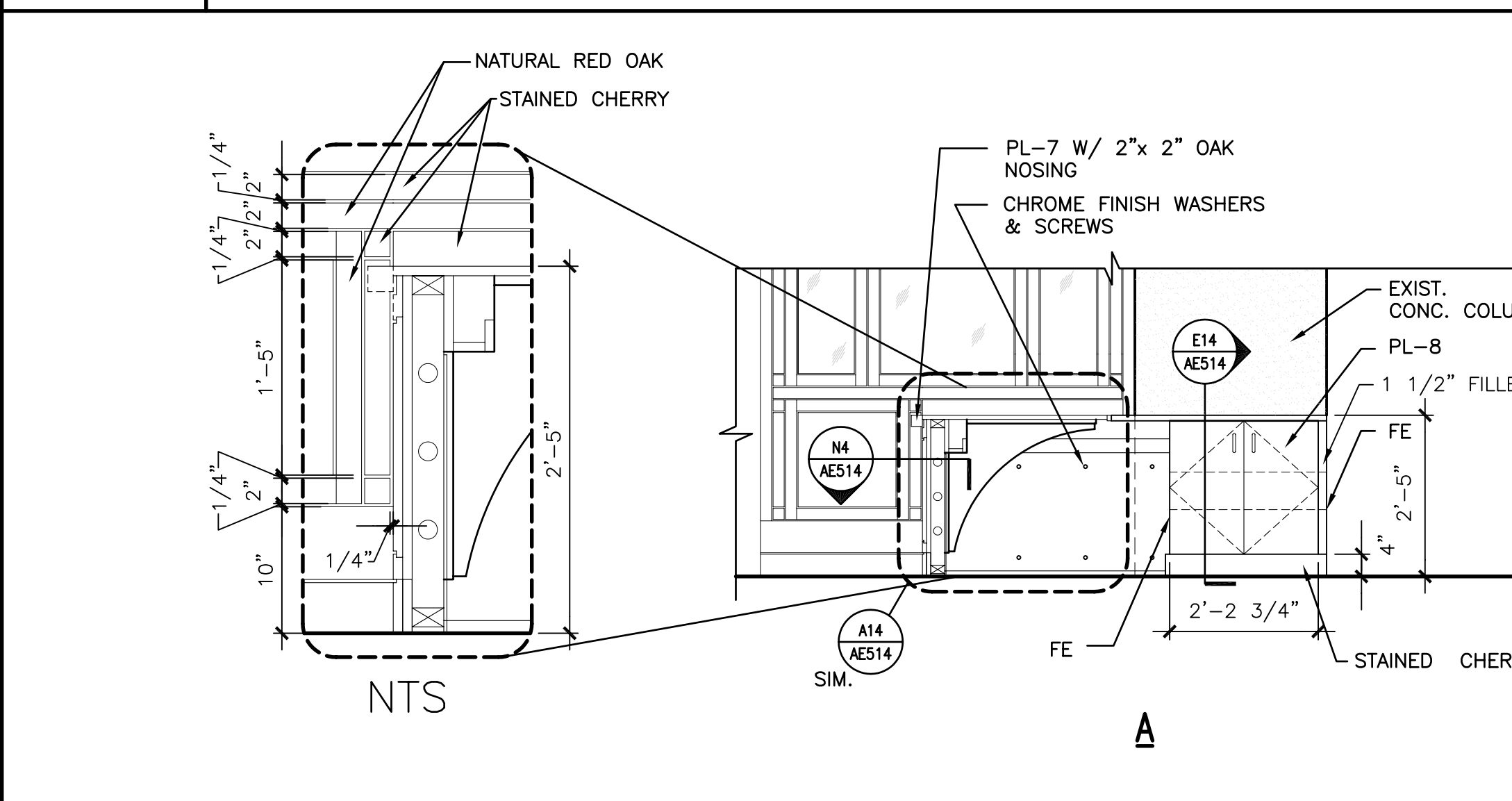


E14 SECTION @ RECEPTION DESK
1" = 1'-0" AE120, AE514

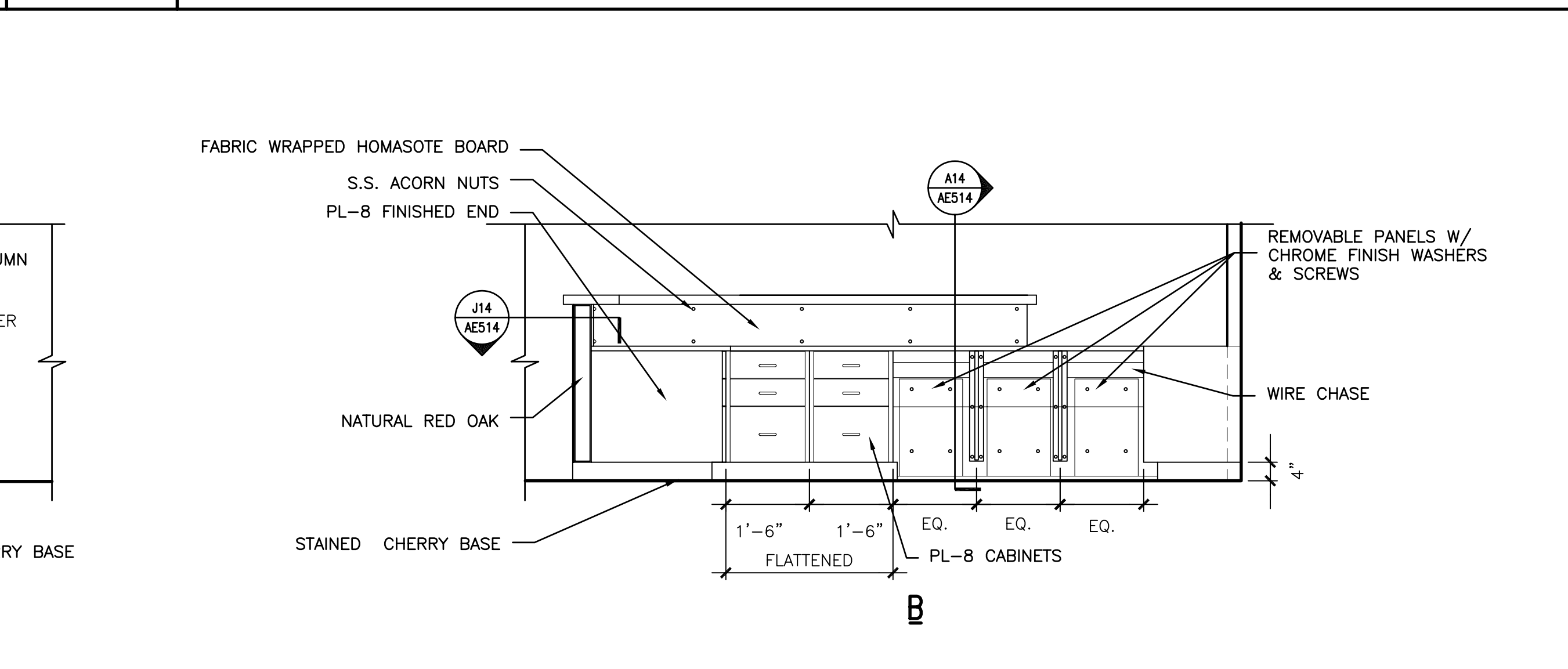
0	ISSUED FOR CONSTRUCTION	3-17-03
REV.	DESCRIPTION	DATE

ISSUED FOR CONSTRUCTION 3-17-03

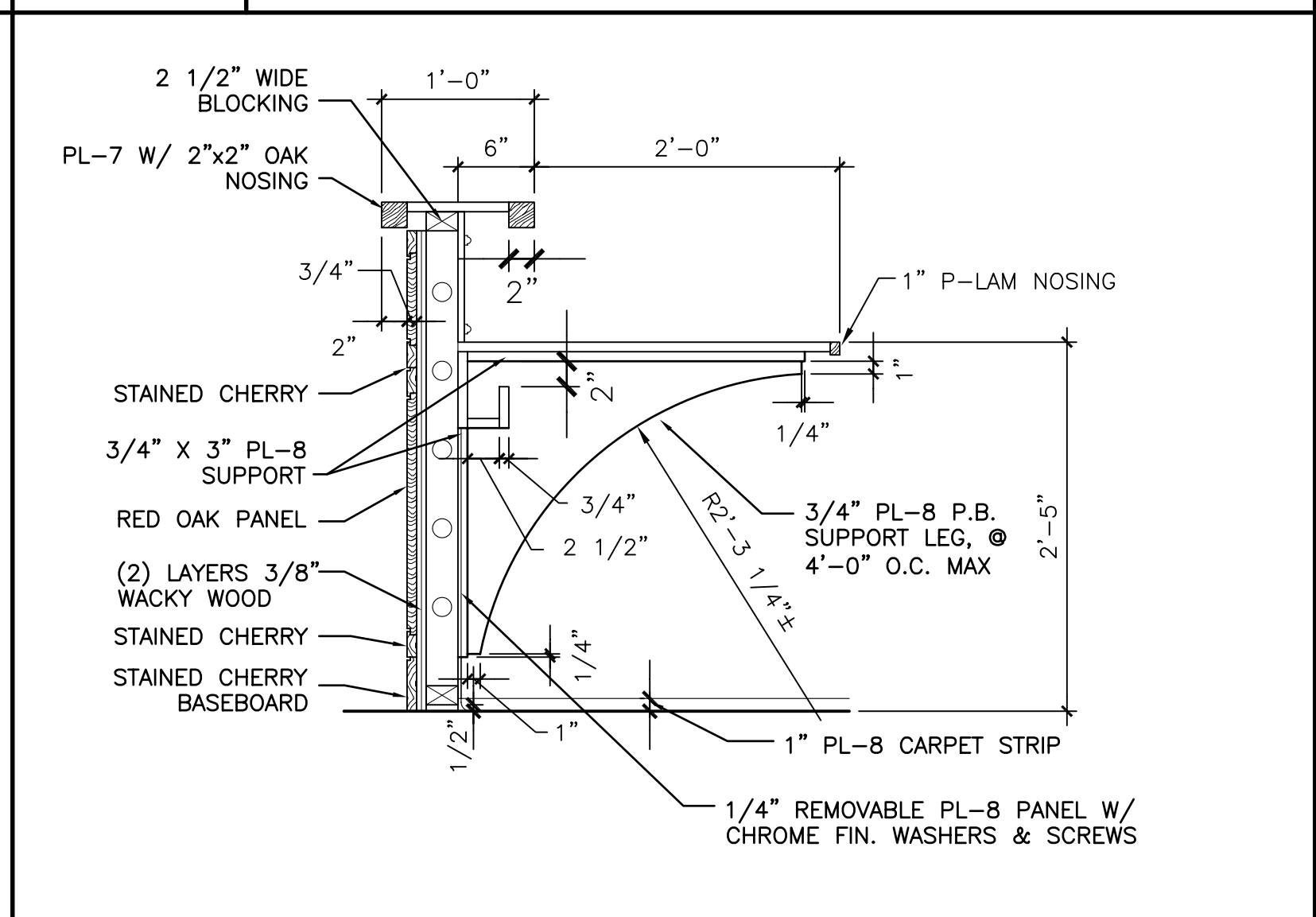
CURRENT ISSUE STATUS:



A1 ELEVATION @ RECEPTION DESK IN READING ROOM 614
1/2" = 1'-0" AE120, AE514



A14 SECTION @ RECEPTION DESK
1" = 1'-0" AE120, AE514



A14 SECTION @ RECEPTION DESK
1" = 1'-0" AE120, AE514

SMRT ARCHITECTURE ENGINEERING PLANNING
144 Fore Street, P.O. Box 618
Portland, Maine 04104
tel. (207) 772-3846
fax. (207) 772-1070

GLICKMAN LIBRARY
UNIVERSITY OF SOUTHERN MAINE
PORTLAND, MAINE

ALT MILLWORK & CASEWORK DETAILS

SHEET TITLE: AS NOTED DATE: 3-17-03
PROJECT MANAGER: SLB GRAPHIC SCALE: 0" = 1"
JOB CAP/DRAWN: CTB
A/E OF RECORD: JLH SHEET No.
SMRT CAD FILE: AE514-99092
PROJECT No. 99092 **AE514**