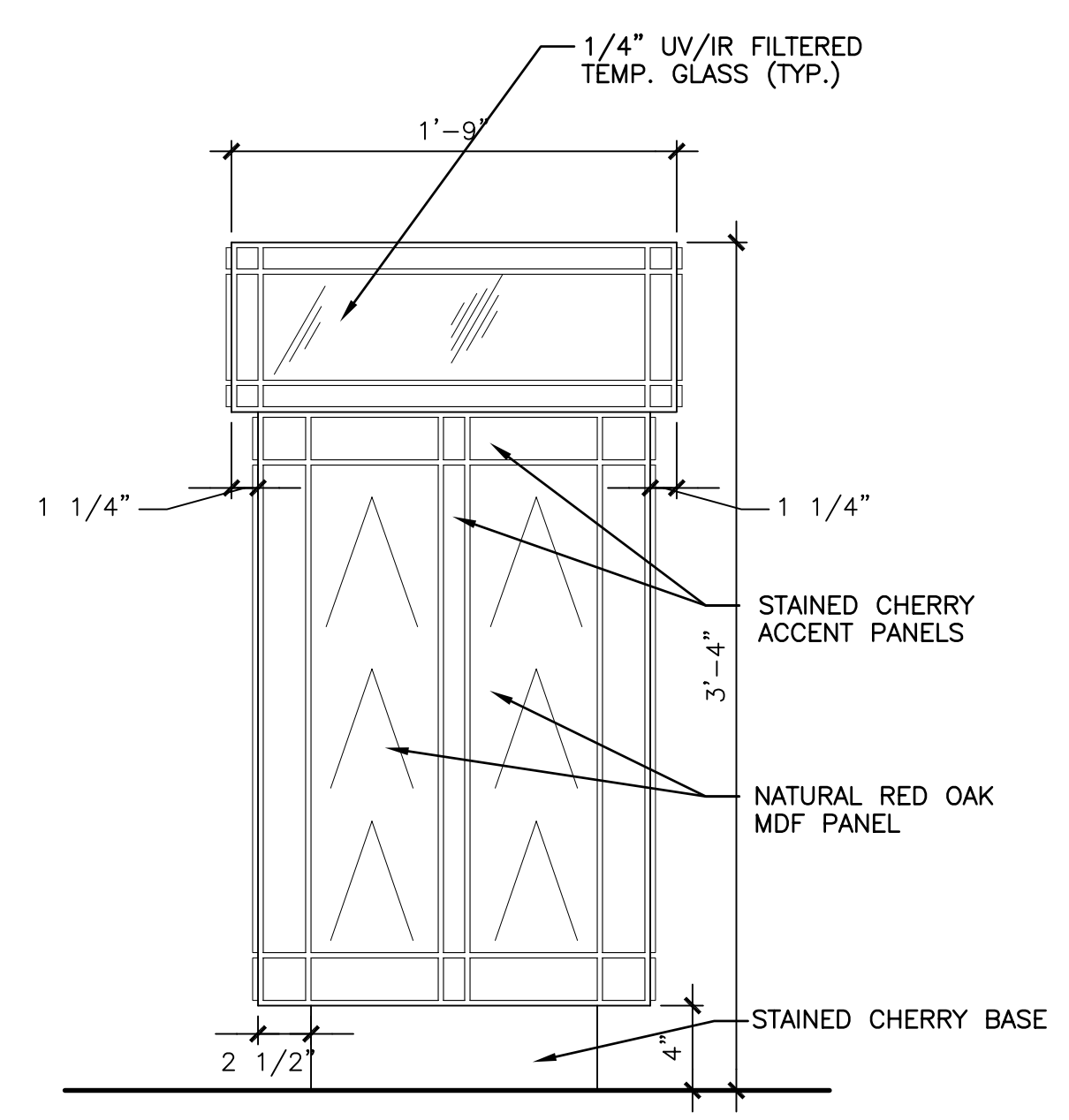


K9 ELEVATION OF CASEWORK @ ROOM #614

1 1/2"=1'-0" AE120



E9 ELEVATION OF CASEWORK @ ROOM #614

1 1/2"=1'-0" AE120

E1 LARGE SCALE ELEV. @ DISPLAY CASES (TYP.)

1 1/2"=1'-0" AE210

GENERAL NOTES:

1. RE: G1002 FOR GENERAL NOTES.

CASEWORK NOTES:

1. PROVIDE UPPER CABINET WHERE SHOWN IN ELEVATION ONLY.
2. PROVIDE CUTOUTS IN ALL CASEWORK AS REQUIRED FOR ELECTRICAL/ DATA WIRING. PROVIDE PLASTIC GROMETS @ ALL VISIBLE CUTOUTS IN CASEWORK.
3. PROVIDE A 1 1/2" WOOD FILLER ON CASEWORK THAT IS ADJACENT TO OR BETWEEN WALLS U.N.O.
4. ADD 1 1/2" FILLER ON CASEWORK WHERE TWO CABINETS JOIN @ AN INSIDE CORNER U.N.O.
5. ALL EXPOSED CABINET END PANELS TO BE FINISHED TO MATCH CABINETS AS SPECIFIED, U.N.O.
6. CUSTOM MILLWORK IS TO BE BUILT AS DRAW AND ALL DIMENSIONS ARE TO BE FIELD VERIFIED BEFORE CONSTRUCTION BEGINS. NOTIFY THE ARCHITECT OF ANY DISCREPANCIES IN WRITING PRIOR TO PROCEEDING WITH THE WORK.
7. RE: F11/AE501 FOR STAINED CHERRY BASE PROFILES, TYP.
8. RE: SPECS FOR FINISH MATERIAL SELECTIONS.

0	ISSUED FOR CONSTRUCTION	3-17-03
REV.	DESCRIPTION	DATE

ISSUED FOR CONSTRUCTION
3-17-03

CURRENT ISSUE STATUS:

SM RT ARCHITECTURE ENGINEERING PLANNING

SMRT
144 Fore Street/P.O. Box 618
Portland, Maine 04104
tel. (207) 772-3846
fax. (207) 772-1070

GLICKMAN LIBRARY
UNIVERSITY OF SOUTHERN MAINE
PORTLAND, MAINE

PROJECT: **ALT MILLWORK ELEVATIONS & DETAILS**

SHEET TITLE:	1/4"=1'-0"	DATE:	3-17-03
SCALE:	1/4"=1'-0"	DATE:	3-17-03
PROJECT MANAGER:	SLB	GRAPHIC SCALE:	0" 1"
JOB CAP/DRAWN:	CTB		
A/E OF RECORD:	JLH	SHEET No.	
SMRT CAD FILE:	AE513-99092		
PROJECT No.	99092		

AE513