

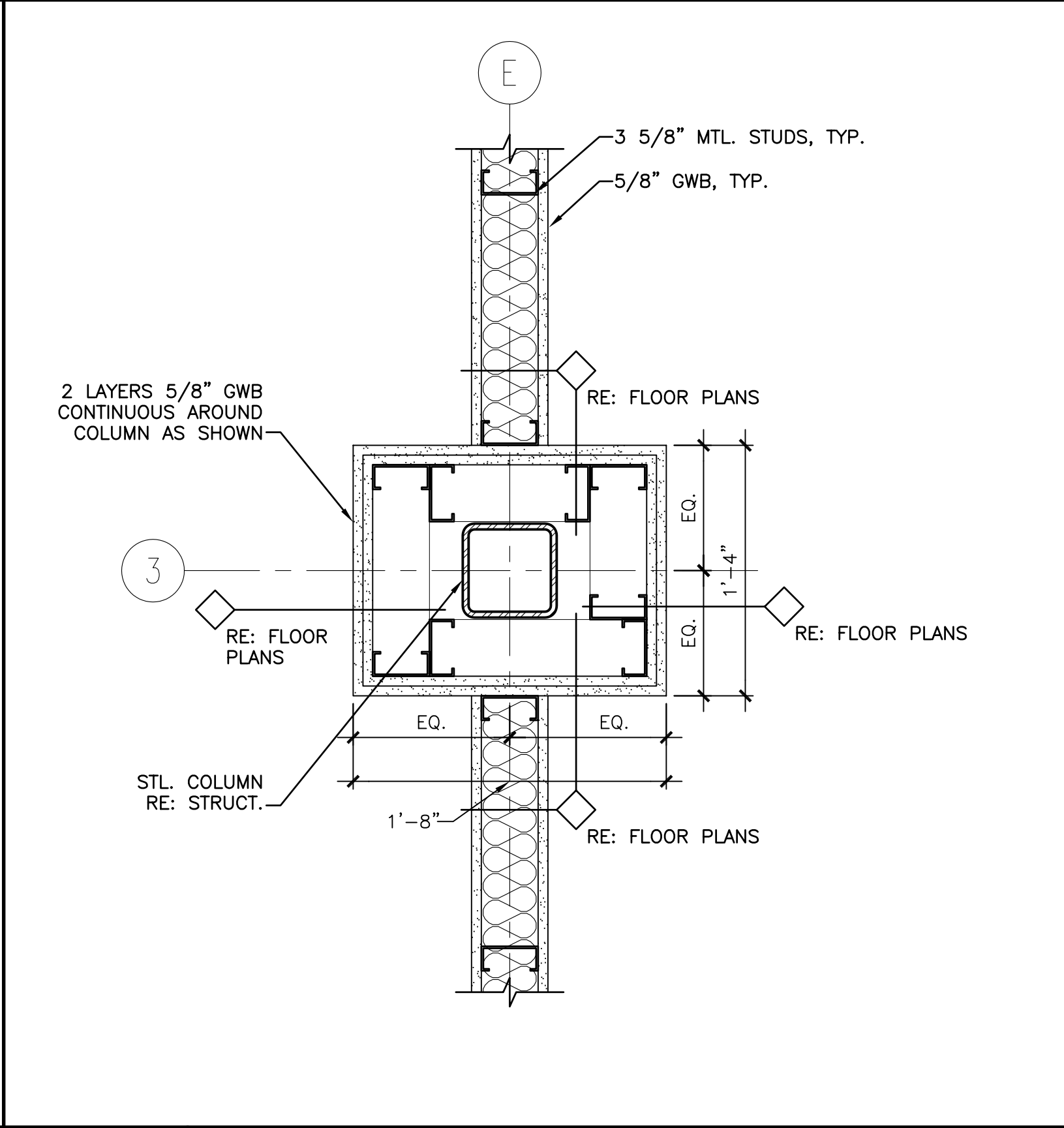
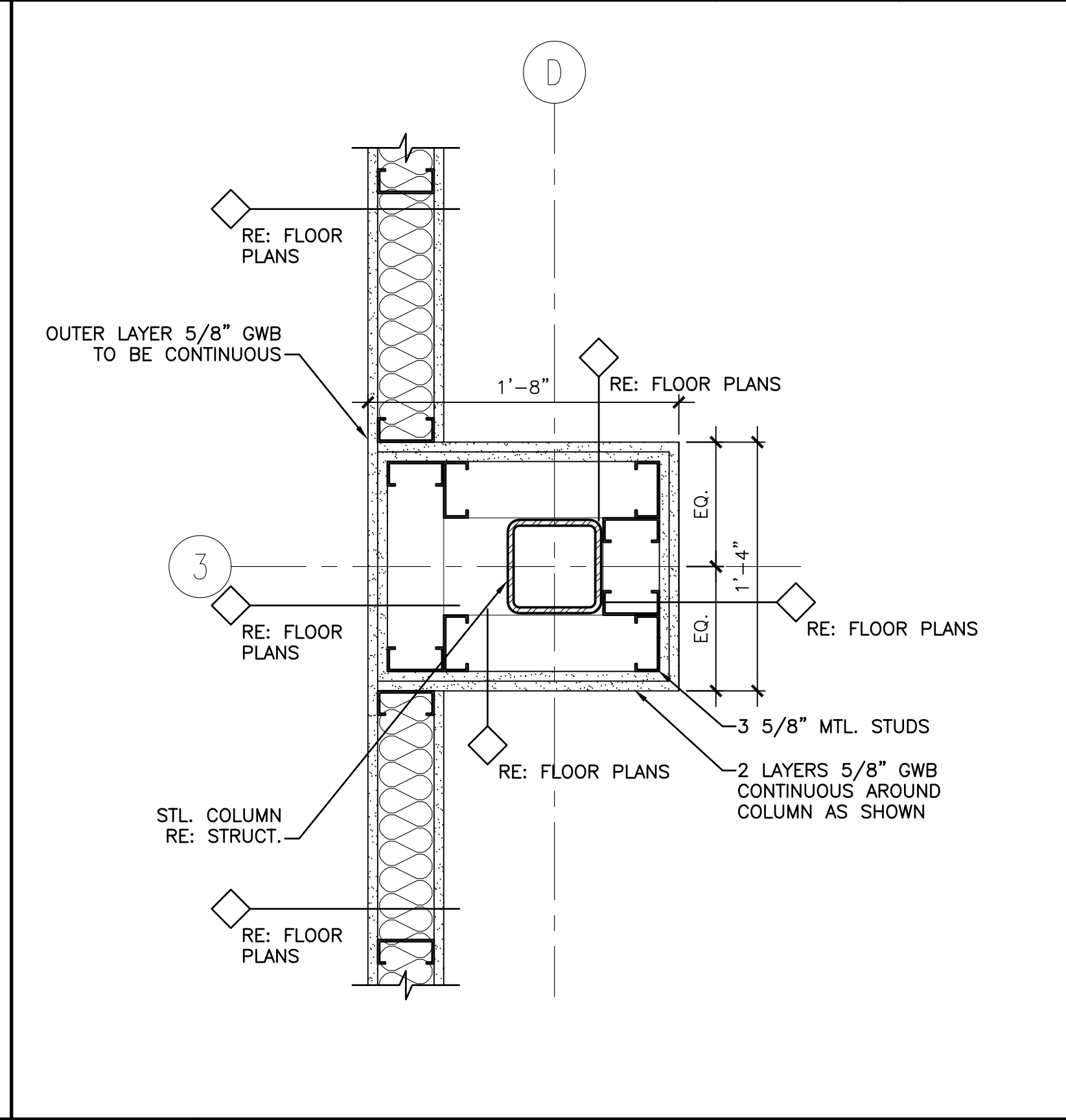
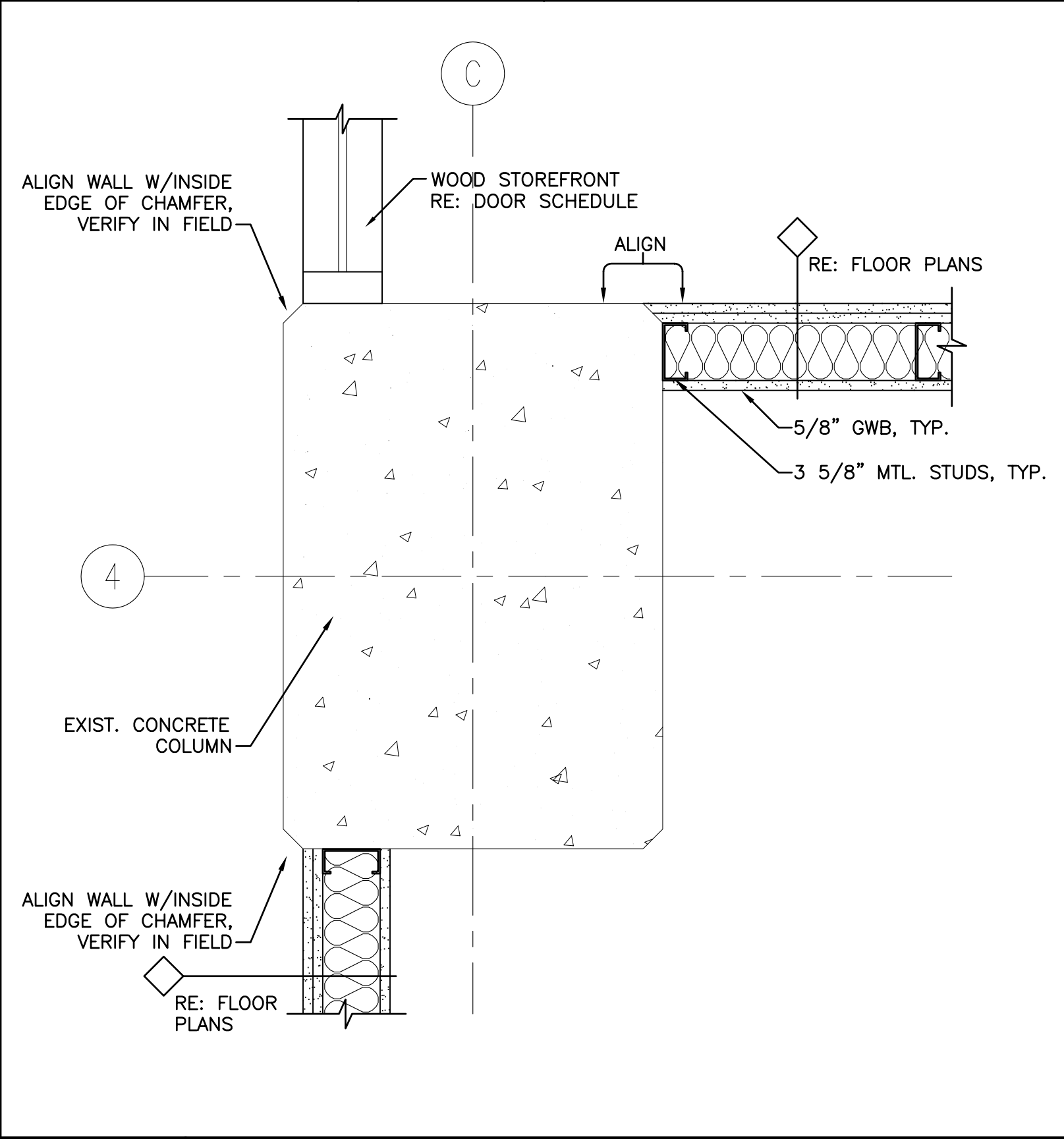
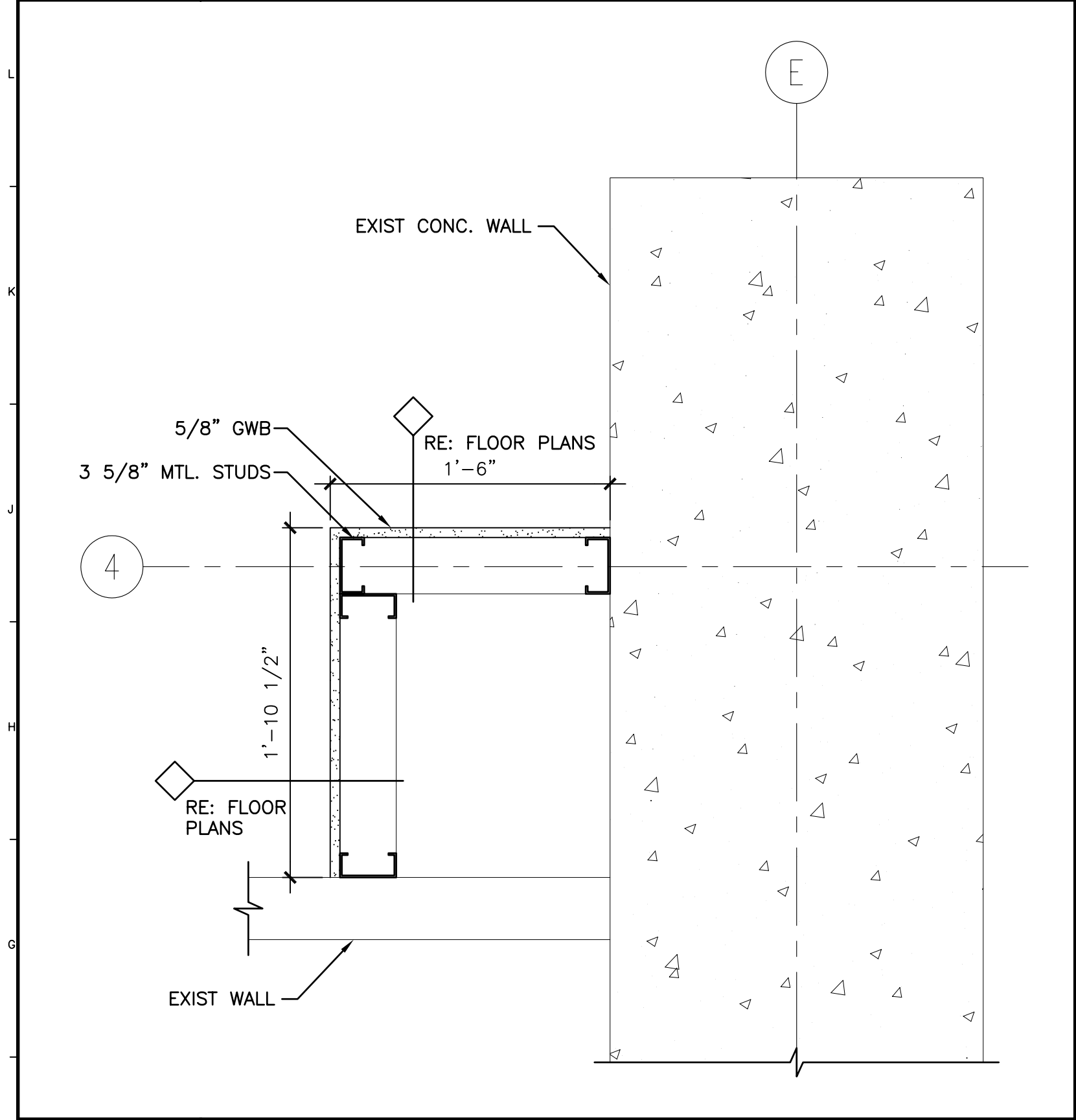
L1 PLAN DETAIL
1 1/2"=1'-0" AE105, AE107

L6 PLAN DETAIL
1 1/2"=1'-0" AE107

L12 PLAN DETAIL
1 1/2"=1'-0" AE105, AE106

GENERAL NOTES:
1. RE G1002 FOR GENERAL NOTES.

DETAIL NOTES:
1. COORDINATE ALL STEEL SHAPES AND CONNECTIONS WITH STRUCTURAL.

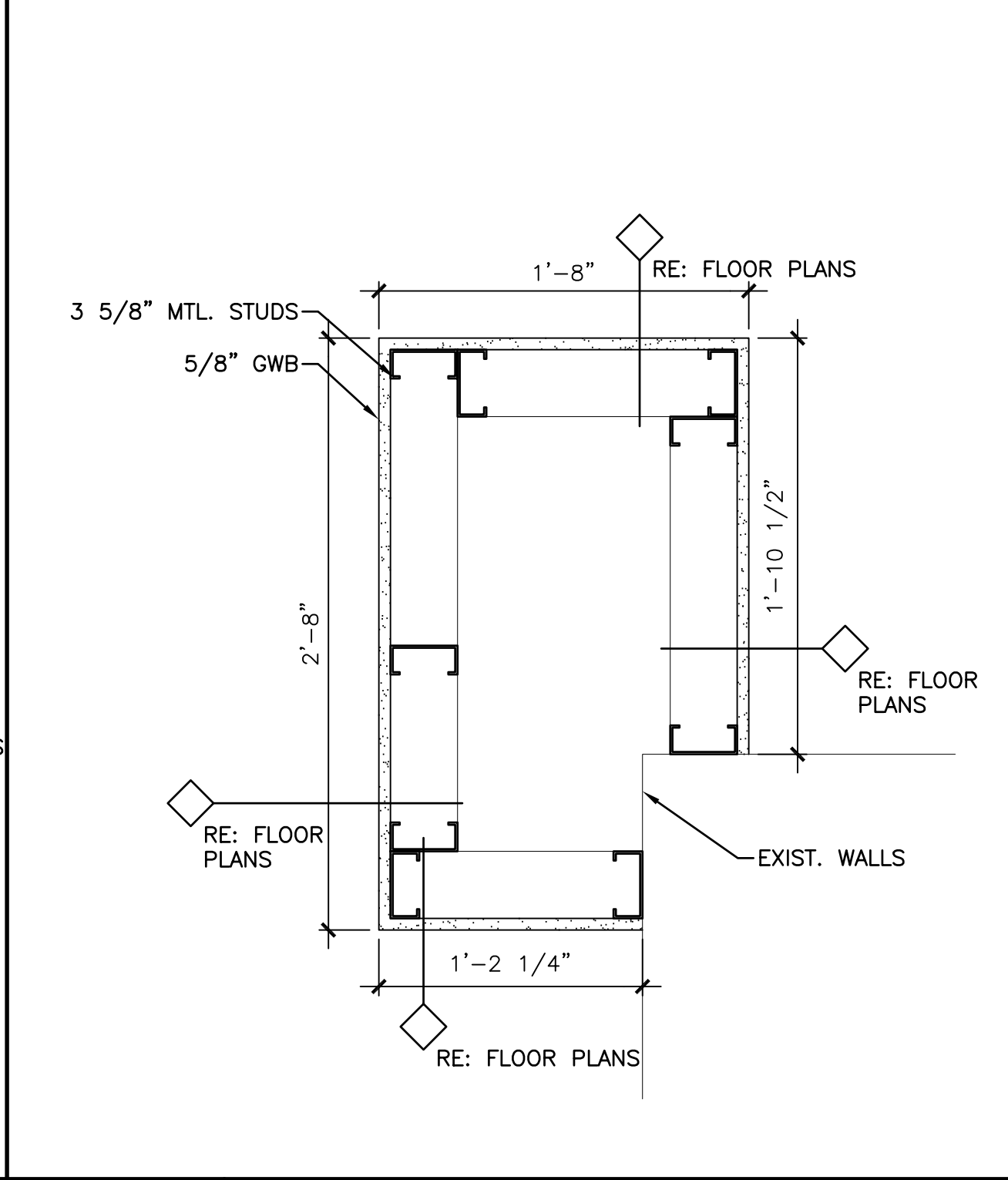
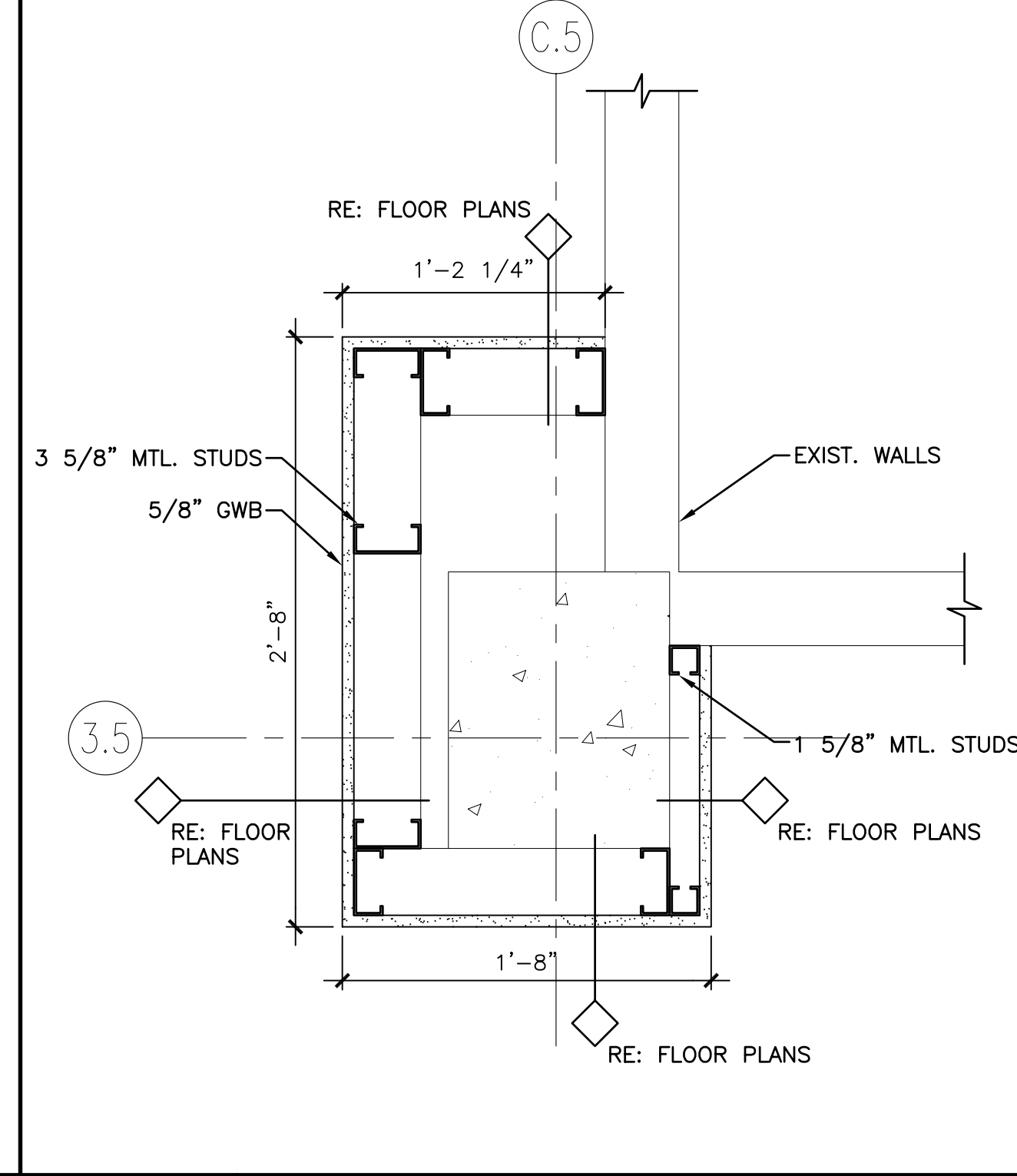
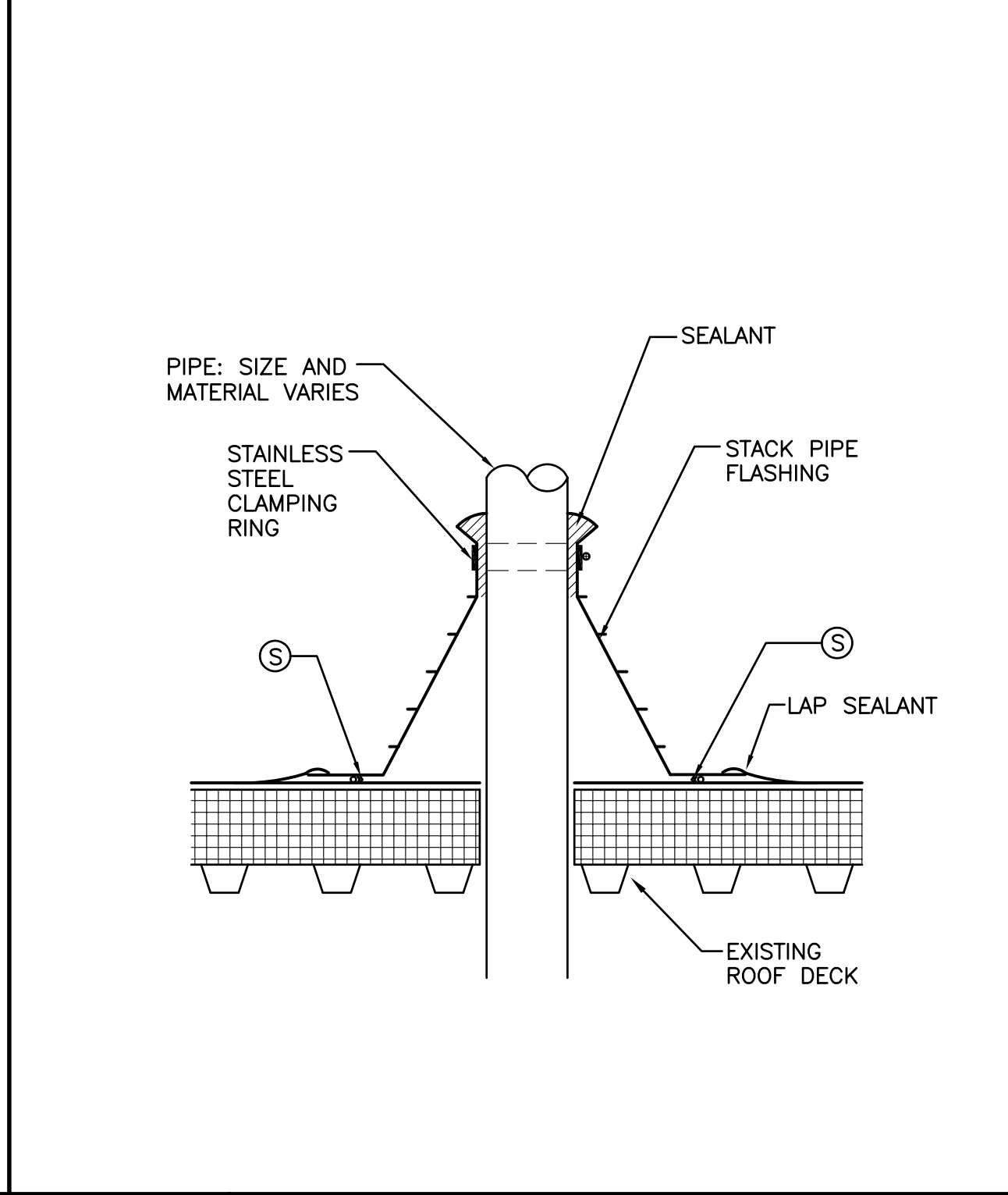
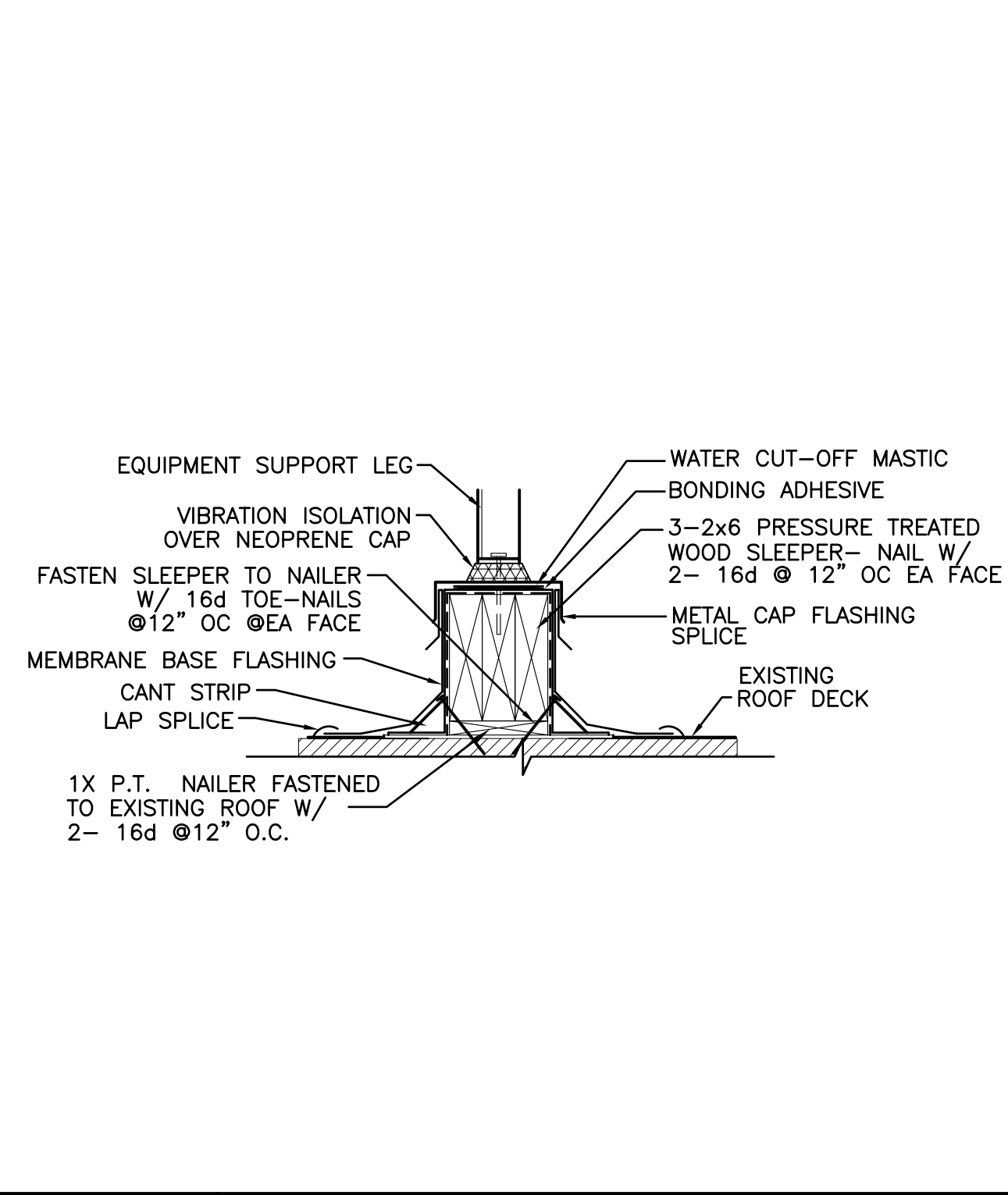
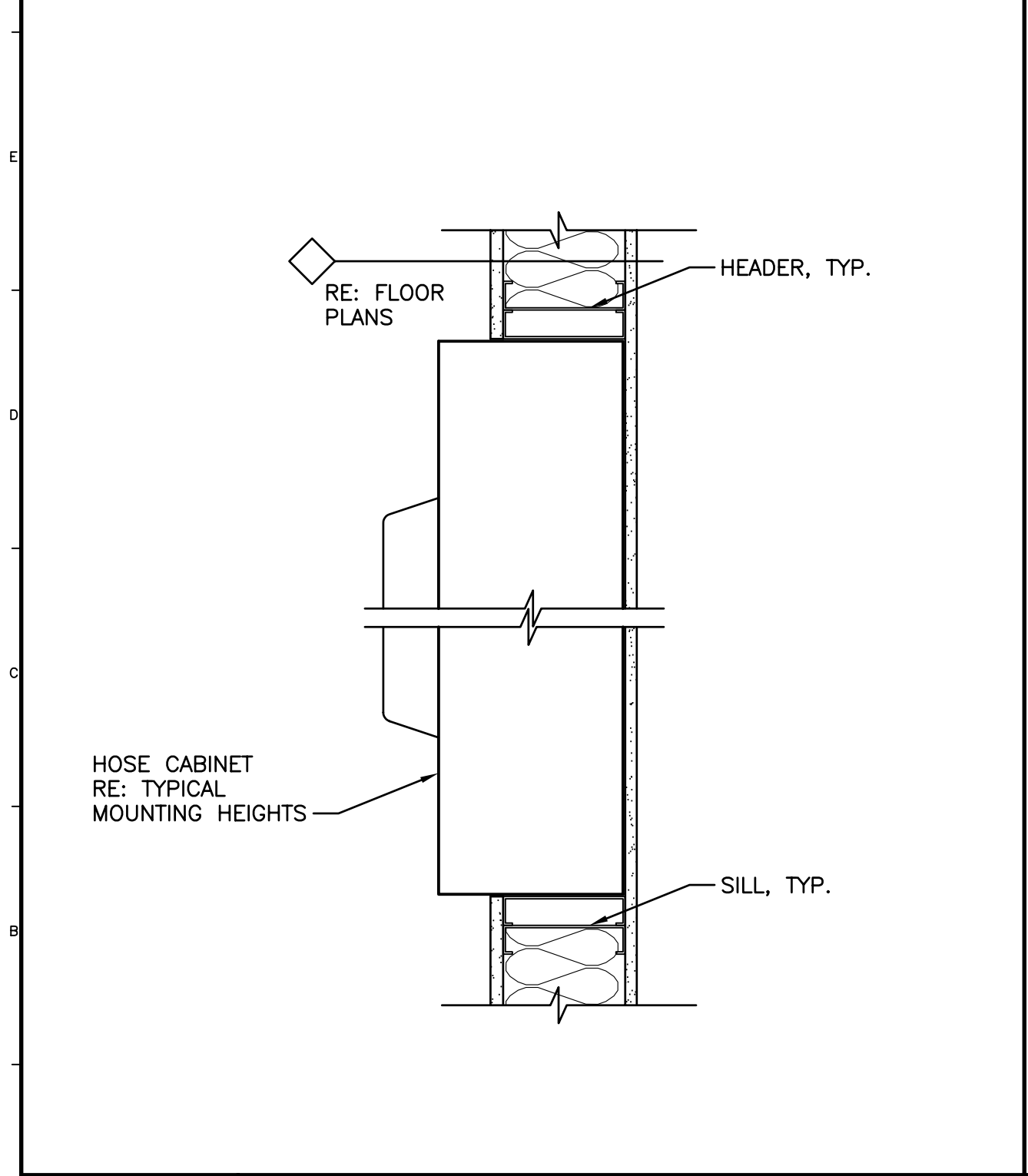


E1 PLAN DETAIL
1 1/2"=1'-0" AE105

E5 PLAN DETAIL
1 1/2"=1'-0" AE106

E9 PLAN DETAIL
1 1/2"=1'-0" AE401

E13 PLAN DETAIL
1 1/2"=1'-0" AE401



A1 HOSE CABINET SECTION
1 1/2"=1'-0" AE105, AE106, AE107

A4 TYP. ROOF CURB
1 1/2"=1'-0" AE115

A7 PIPING PENETRATION
1 1/2"=1'-0" AE115

A11 PLAN DETAIL
1 1/2"=1'-0" AE105, AE107

A14 PLAN DETAIL
1 1/2"=1'-0" AE105, AE107

0	ISSUED FOR CONSTRUCTION	3-17-03
REV.	DESCRIPTION	DATE
ISSUED FOR CONSTRUCTION 3-17-03		
CURRENT ISSUE STATUS:		
ARCHITECTURE ENGINEERING PLANNING SMRT 144 Fore Street/P.O. Box 618 Portland, Maine 04104 tel. (207) 773-3846 fax. (207) 772-1070		
GLICKMAN LIBRARY UNIVERSITY OF SOUTHERN MAINE PORTLAND, MAINE		
PLAN DETAILS & SECTIONS		
SHEET TITLE:		
SCALE: AS NOTED	DATE: 3-17-03	
PROJECT MANAGER: SLB	GRAPHIC SCALE: 0" = 1'	
JOB CAP/DRAWN: CTB		
A/E OF RECORD: JLH	SHEET No.	
SMRT CAD FILE: AE504-99092		
PROJECT No. 99092		AE504