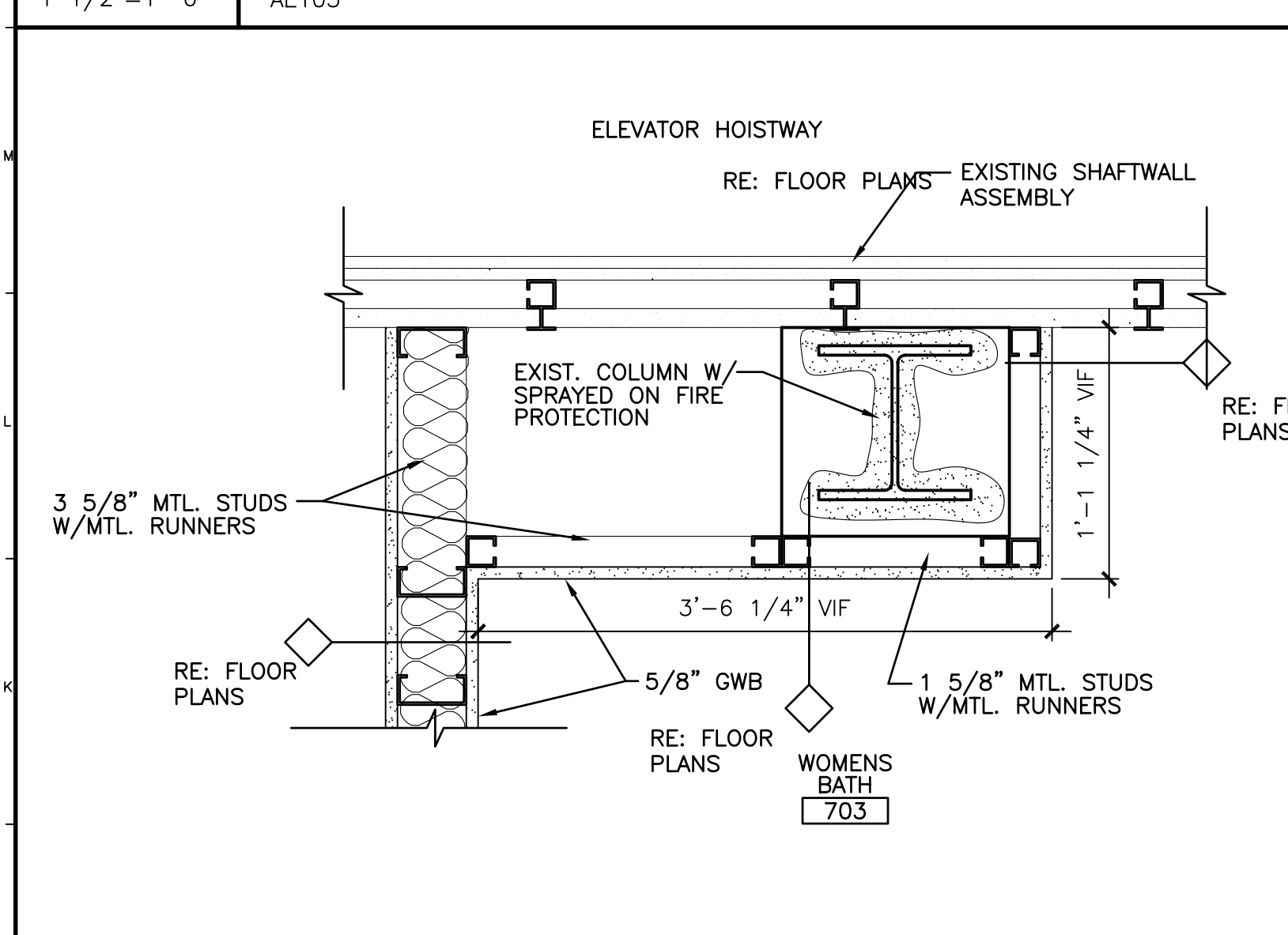
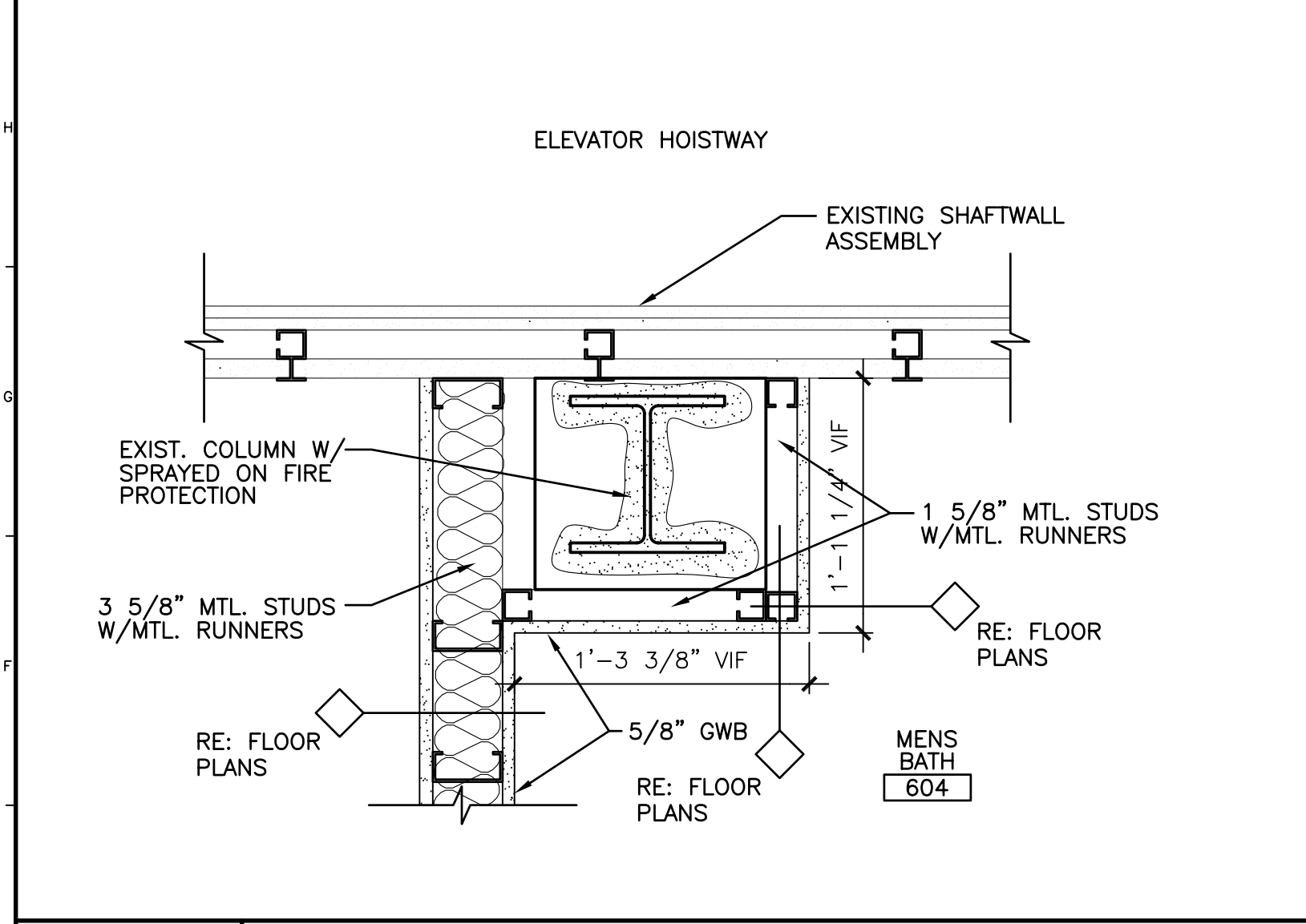


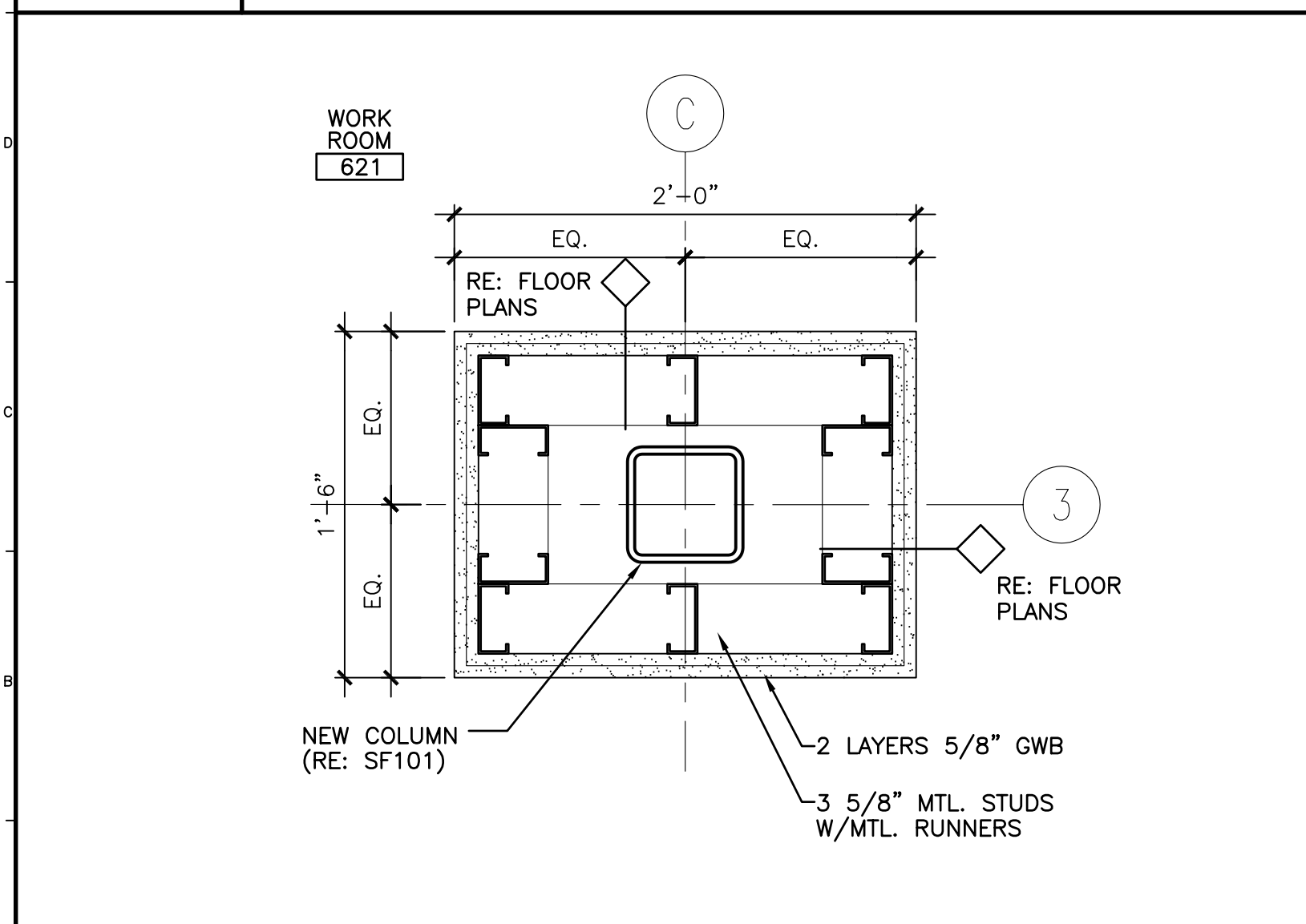
N1 PLAN DETAIL
1 1/2" = 1'-0" AE105



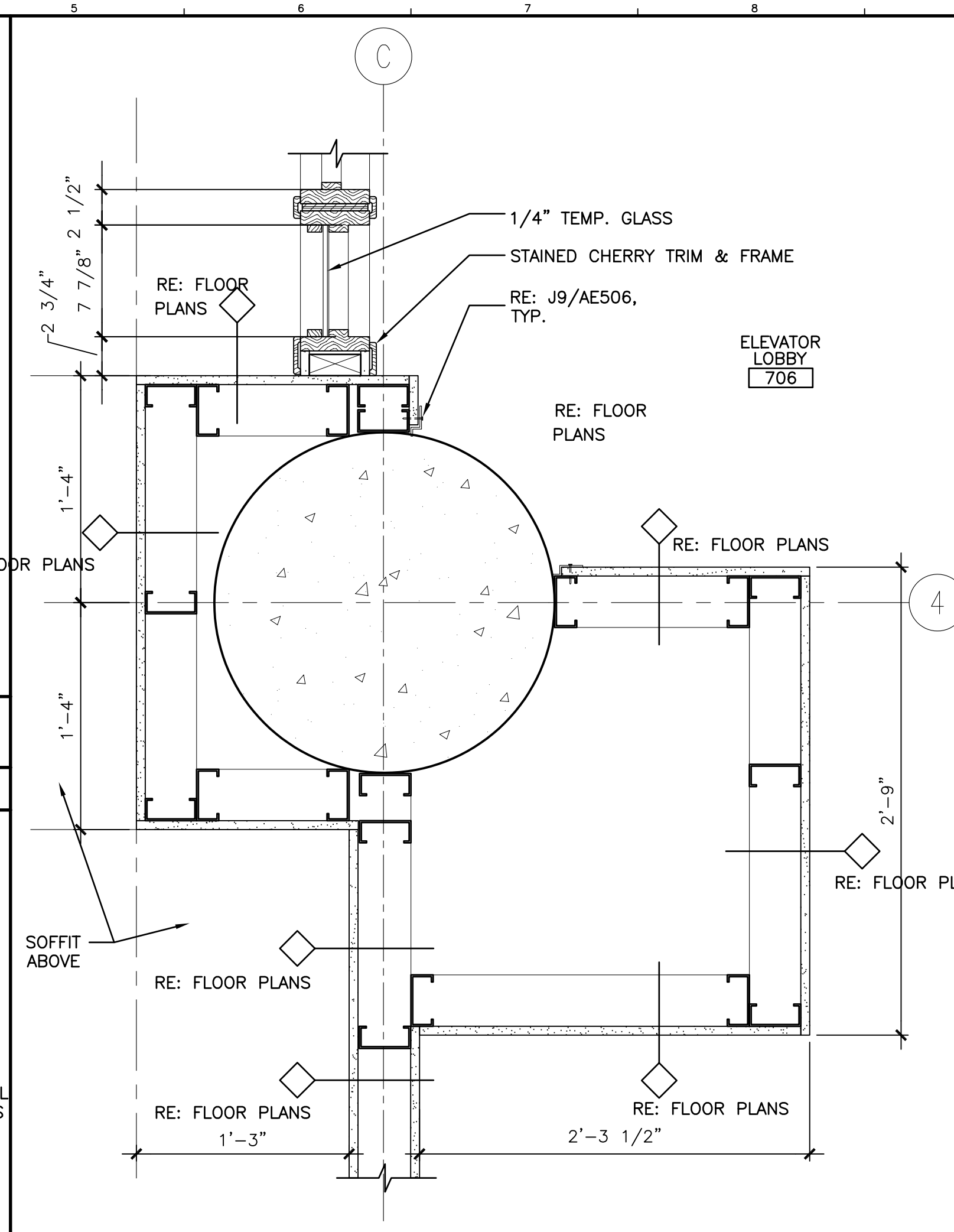
J1 DETAIL @WOMENS BATH #703
1 1/2" = 1'-0" AE401



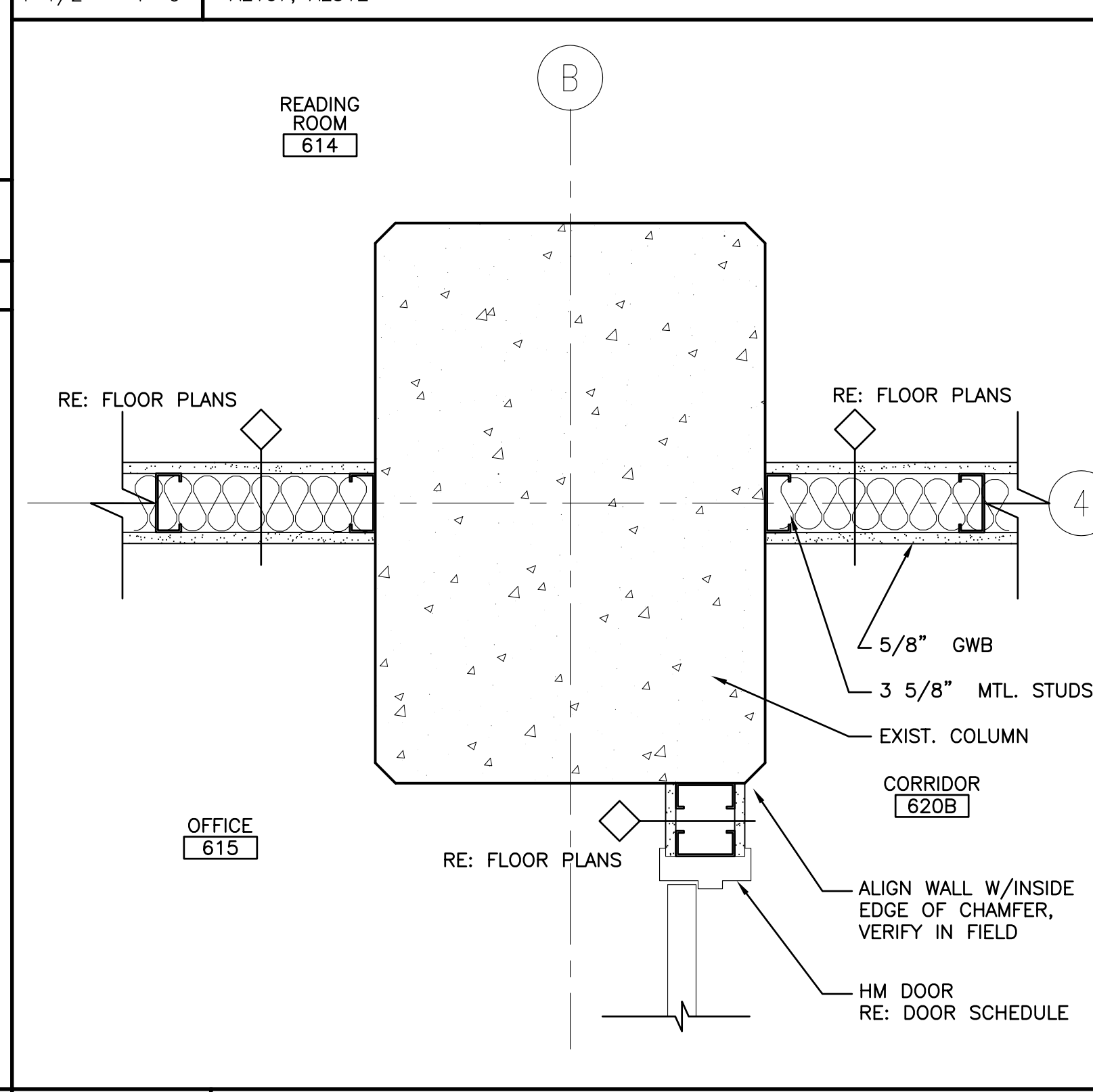
E1 DETAIL @MENS BATH #604
1 1/2" = 1'-0" AE401



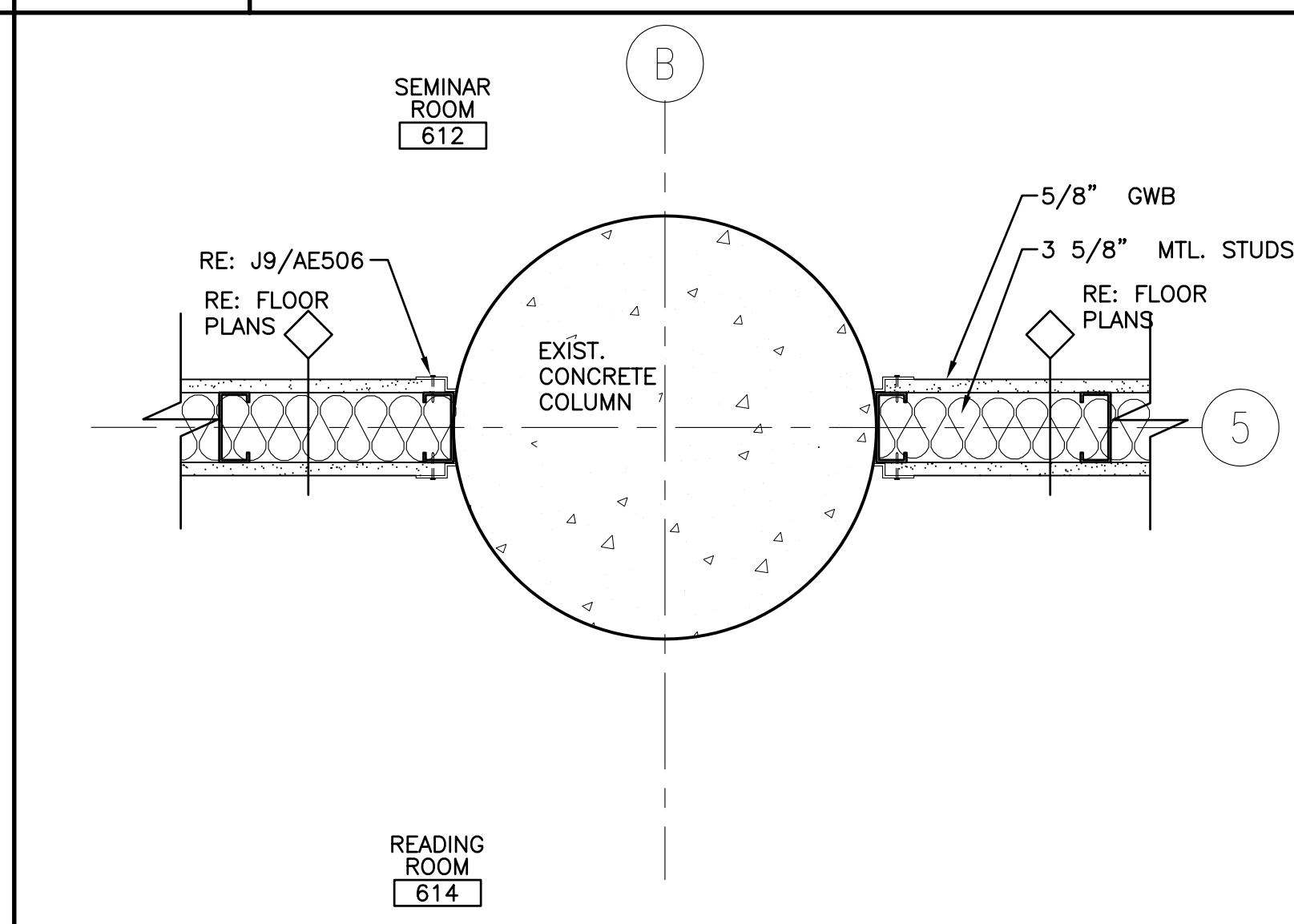
A1 PLAN DETAIL
1 1/2" = 1'-0" AE106



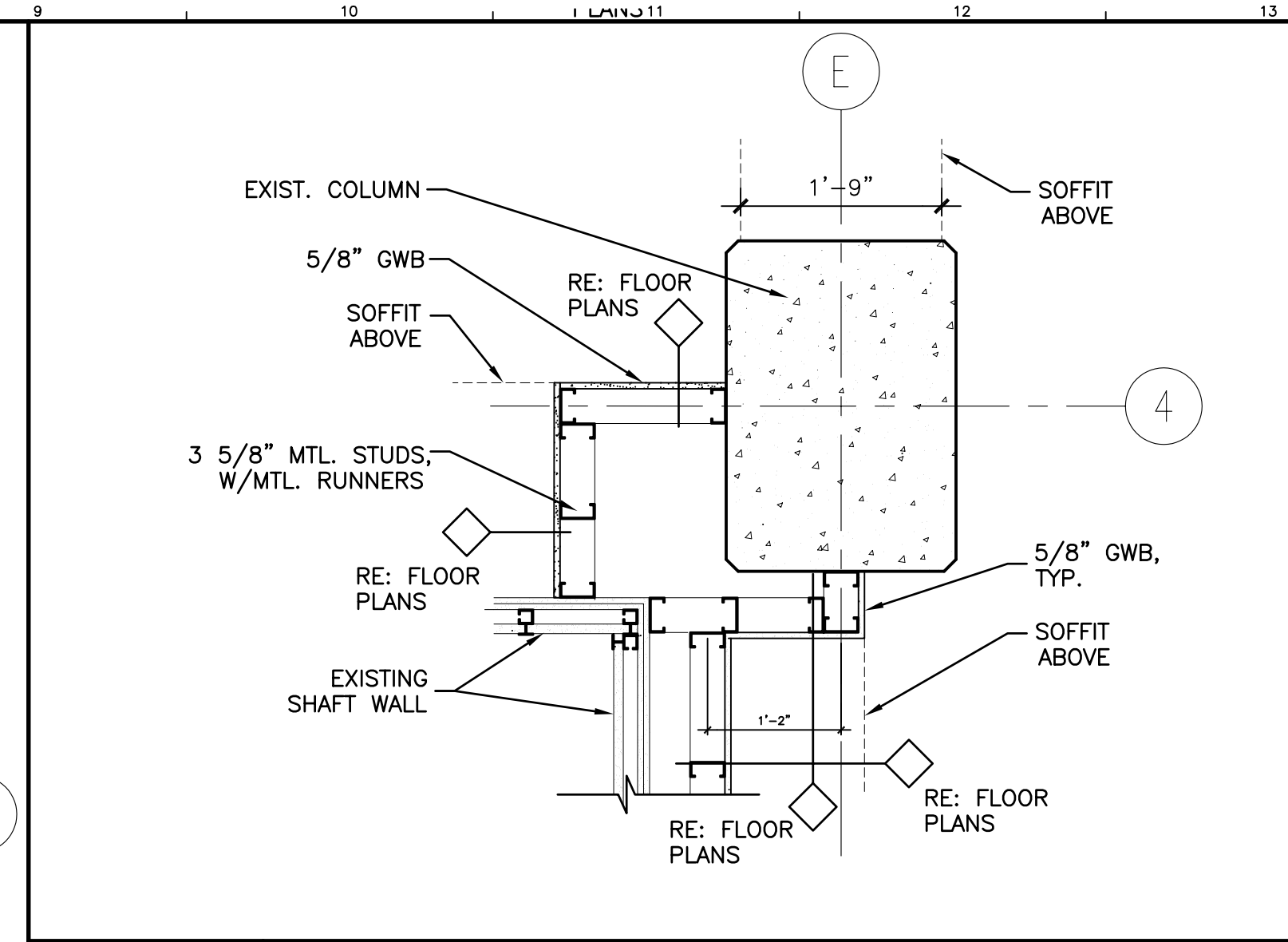
K5 PLAN DETAIL
1 1/2" = 1'-0" AE107, AE512



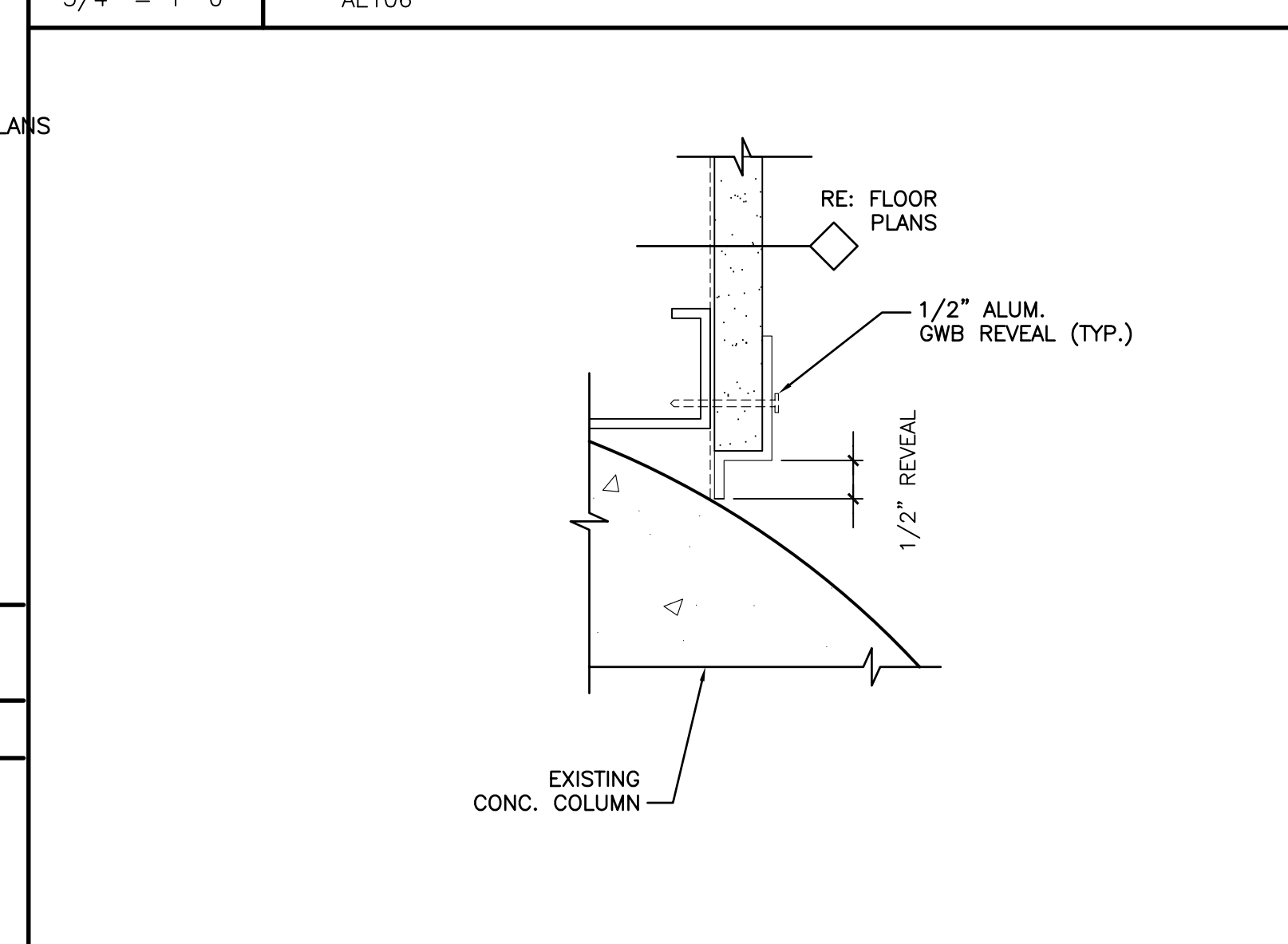
E5 PLAN DETAIL @READING ROOM #614
1 1/2" = 1'-0" AE106



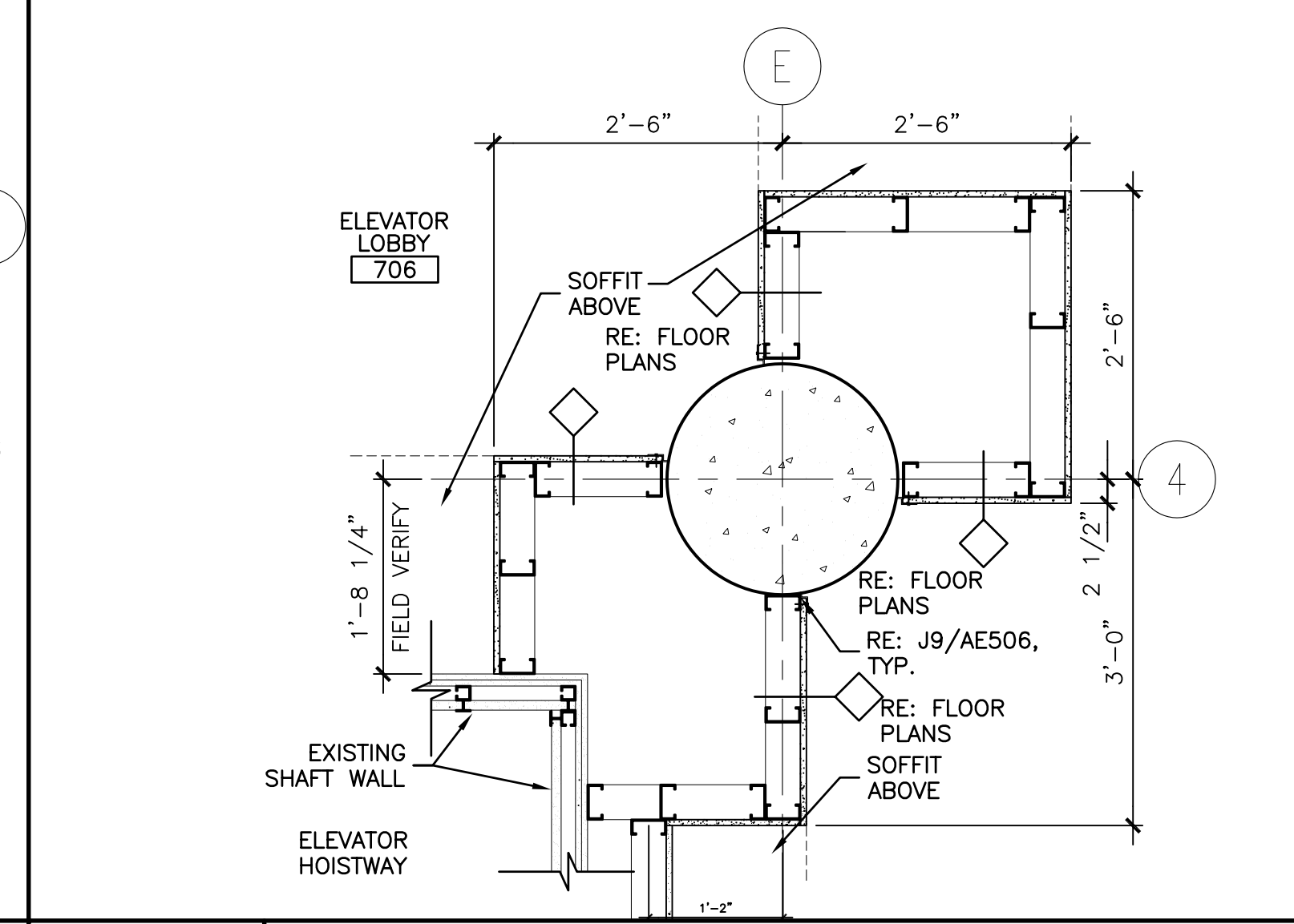
A5 PLAN DETAIL @READING ROOM #614
1 1/2" = 1'-0" AE105, AE106, AE107



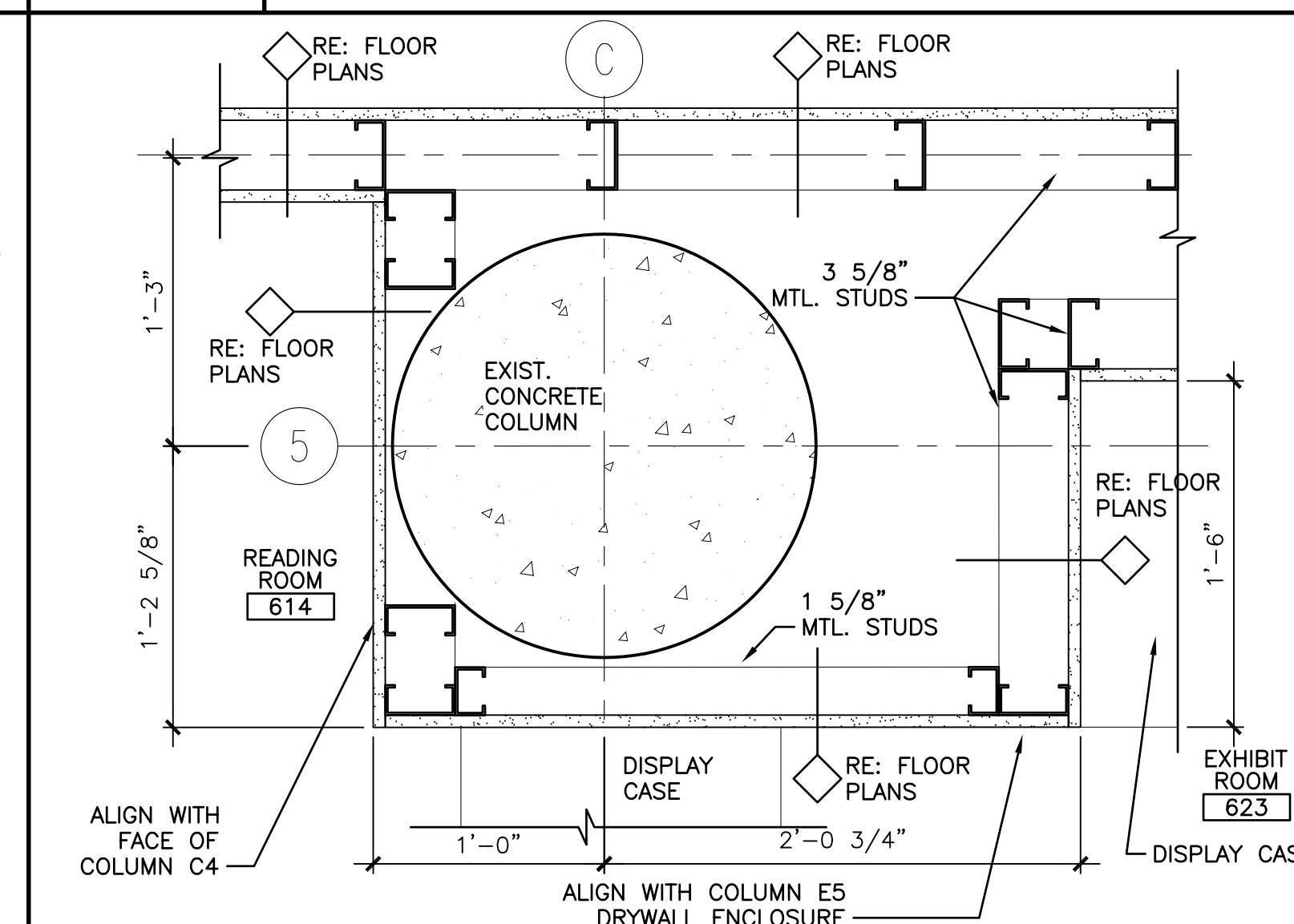
N9 PLAN DETAIL
3/4" = 1'-0" AE106



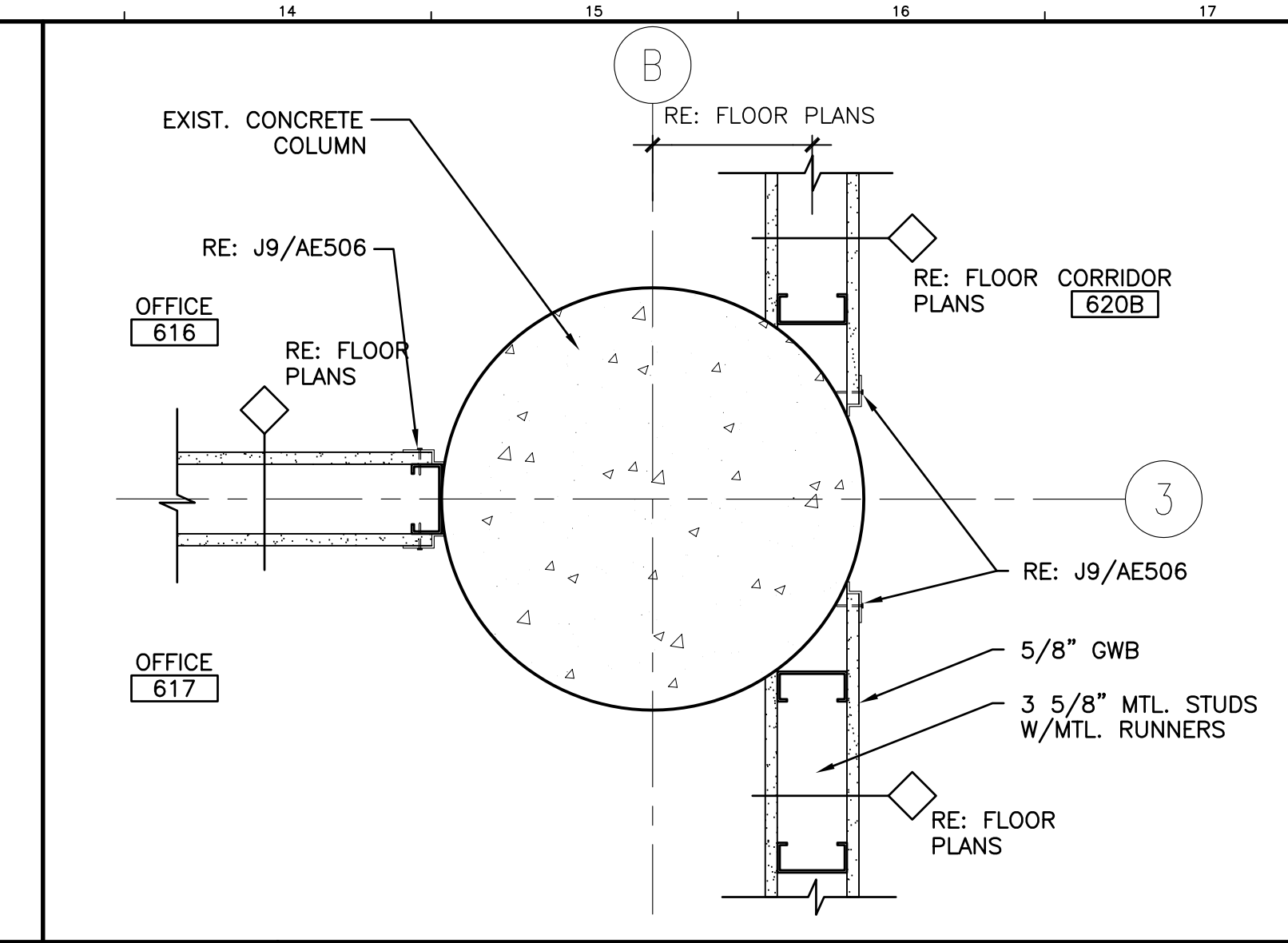
J9 TYP. TRIM REVEAL
6" = 1'-0" AE503, AE504, AE505



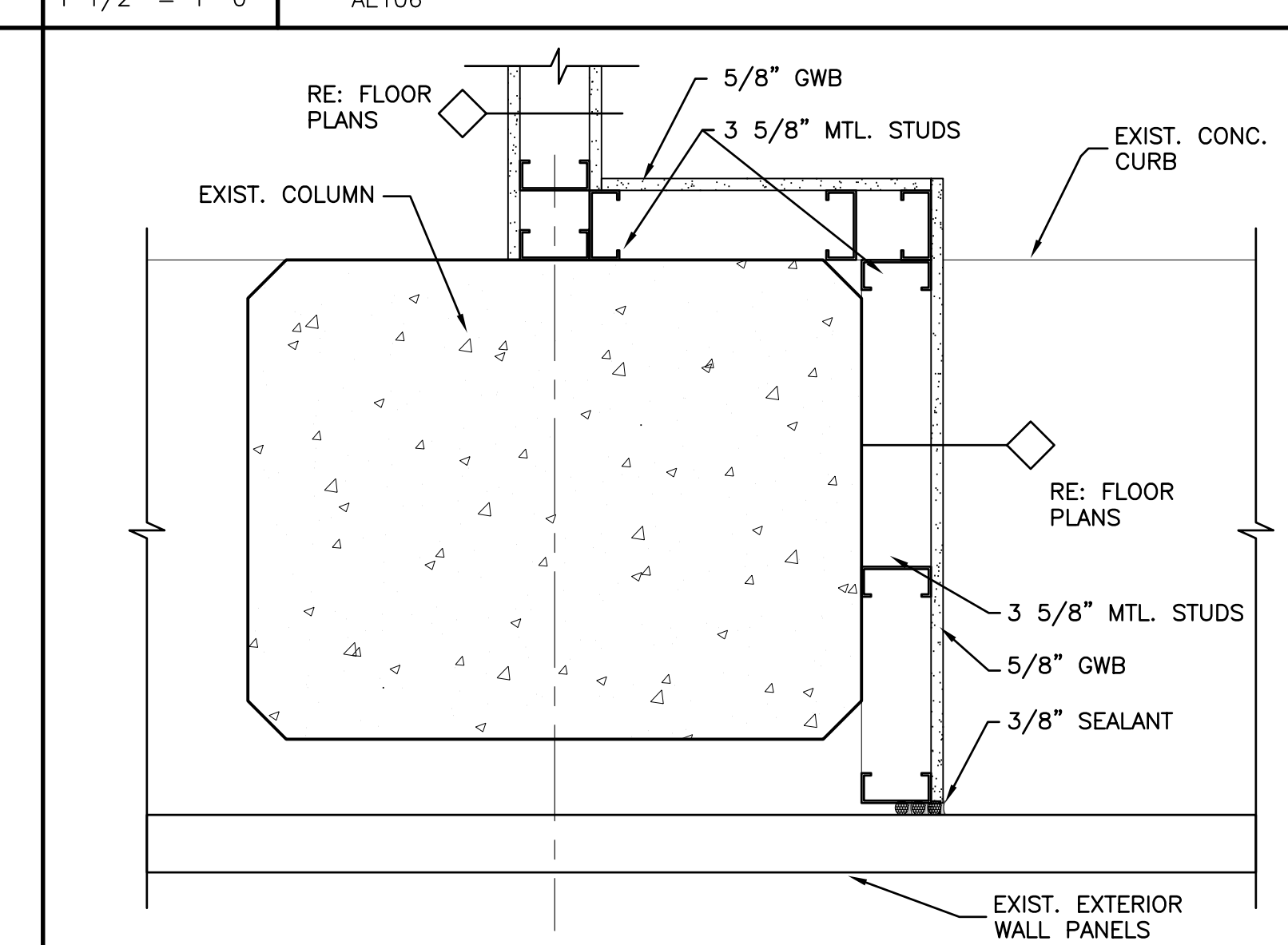
E9 PLAN DETAIL
3/4" = 1'-0" AE107



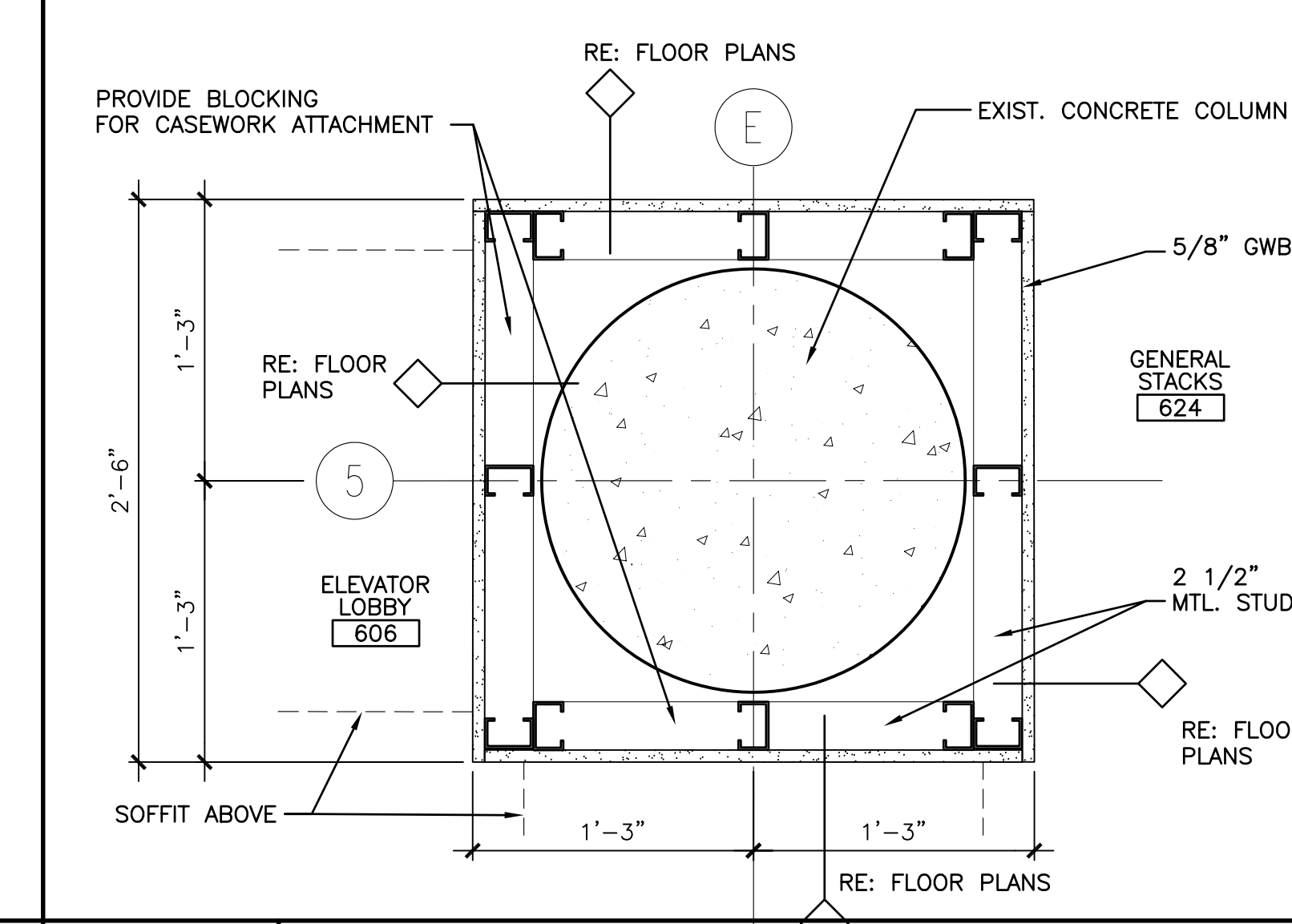
A9 COLUMN ENCLOSURE DETAIL
1 1/2" = 1'-0" AE106



N14 PLAN DETAIL
1 1/2" = 1'-0" AE106



J14 TYP. PARTITION @EXTERIOR COLUMN
1 1/2" = 1'-0" AE105, AE106



E14 COLUMN ENCLOSURE @ELEV. LOBBY #606
1 1/2" = 1'-0" AE106

GENERAL NOTES:

1. RE G1002 FOR GENERAL NOTES.

DETAIL NOTES:

1. COORDINATE ALL STEEL SHAPES AND CONNECTIONS WITH STRUCTURAL.

0	ISSUED FOR CONSTRUCTION	3-17-03
REV.	DESCRIPTION	DATE

ISSUED FOR CONSTRUCTION 3-17-03

CURRENT ISSUE STATUS:



ARCHITECTURE ENGINEERING PLANNING
SMRT
144 Fore Street, P.O. Box 618
Portland, Maine 04104
tel. (207) 773-3846
fax. (207) 772-1070

GLICKMAN LIBRARY
UNIVERSITY OF SOUTHERN MAINE
PORTLAND, MAINE

PLAN DETAILS & SECTIONS

SHEET TITLE:	AS NOTED	DATE:	3-17-03
PROJECT MANAGER:	SLB	GRAPHIC SCALE:	0" = 1'
JOB CAP/DRAWN:	CTB	A/E OF RECORD:	JLH
SMRT CAD FILE:	AE503-99092	SHEET No.	AE503
PROJECT No.	99092		