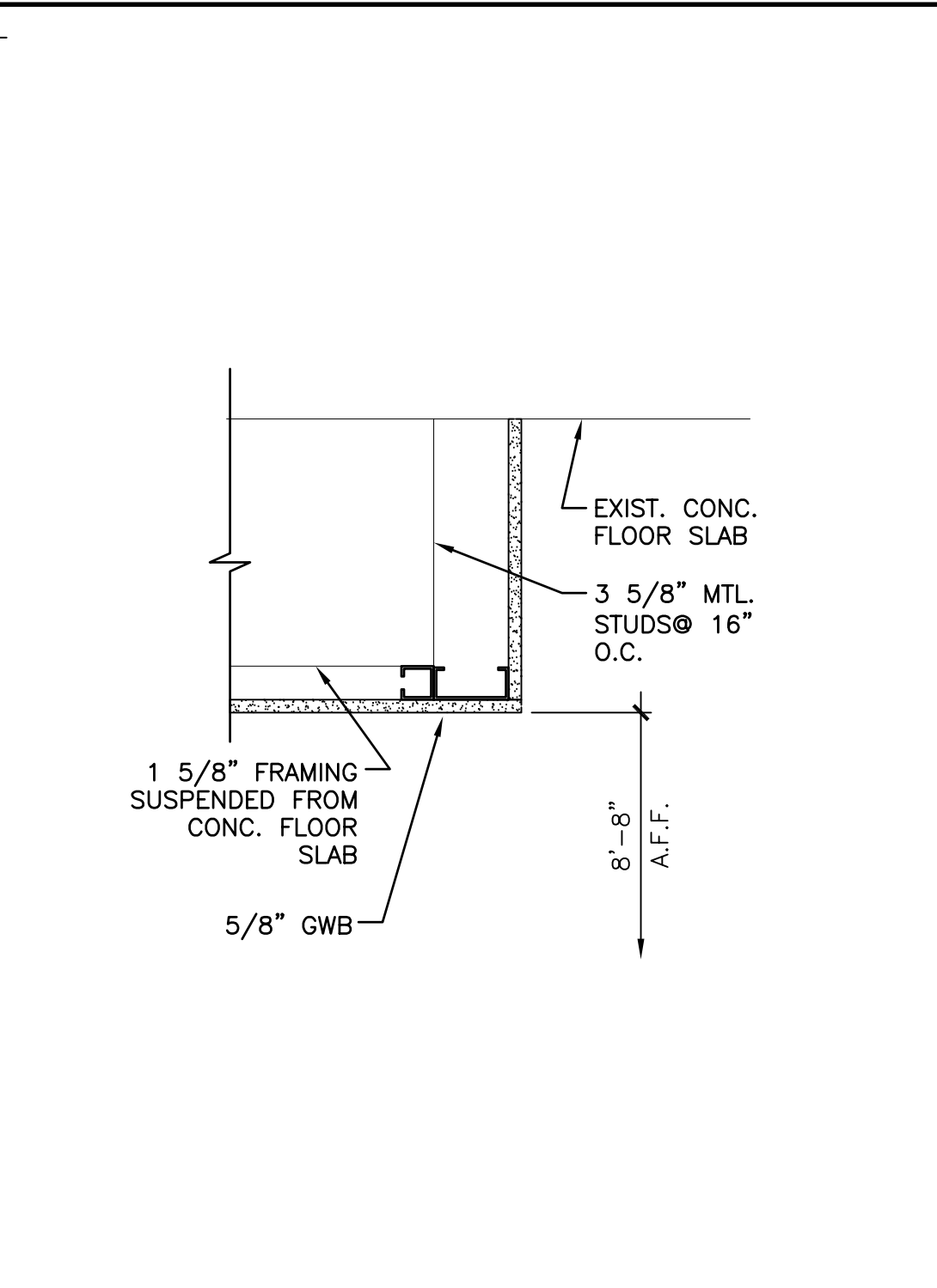
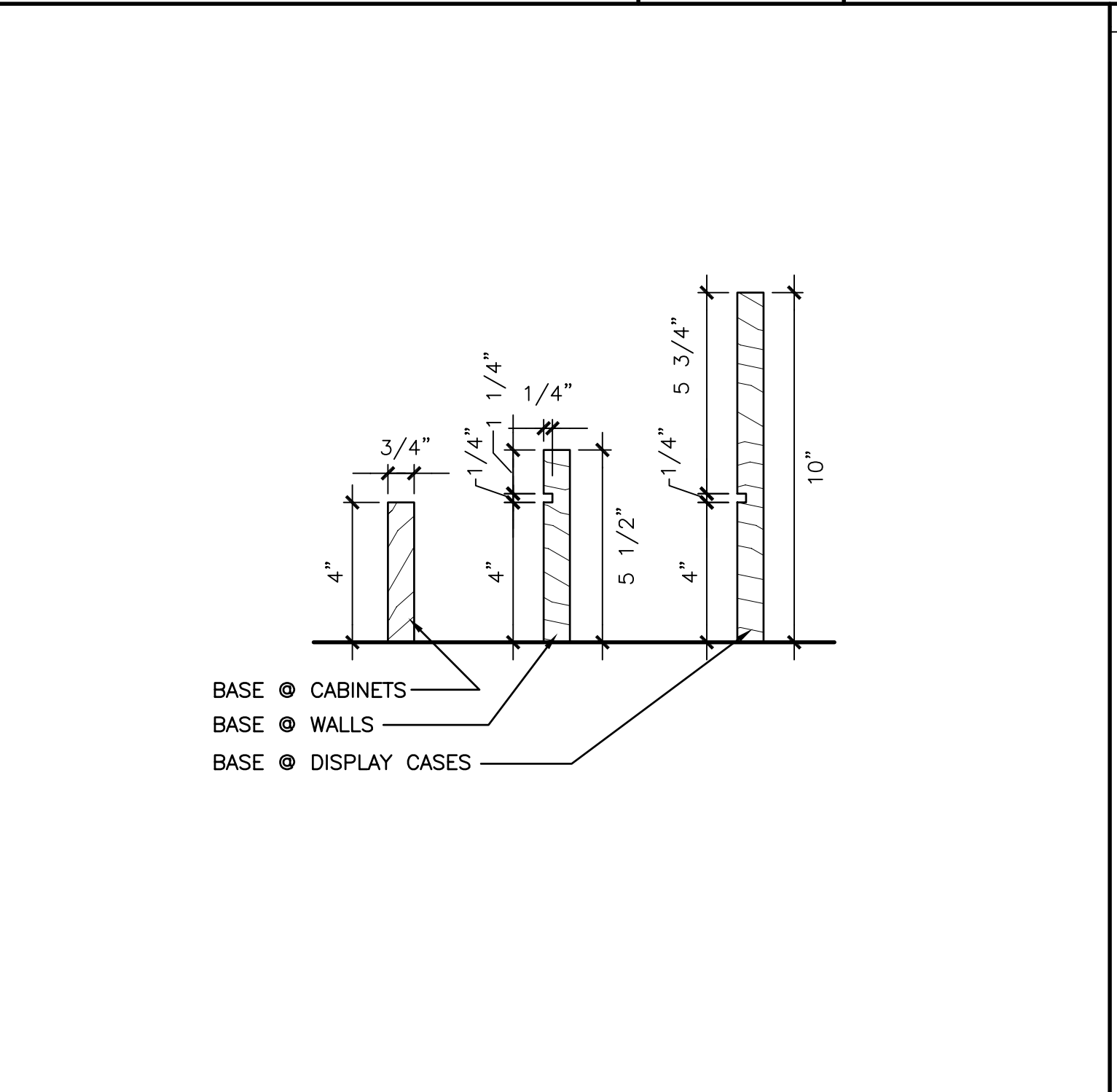
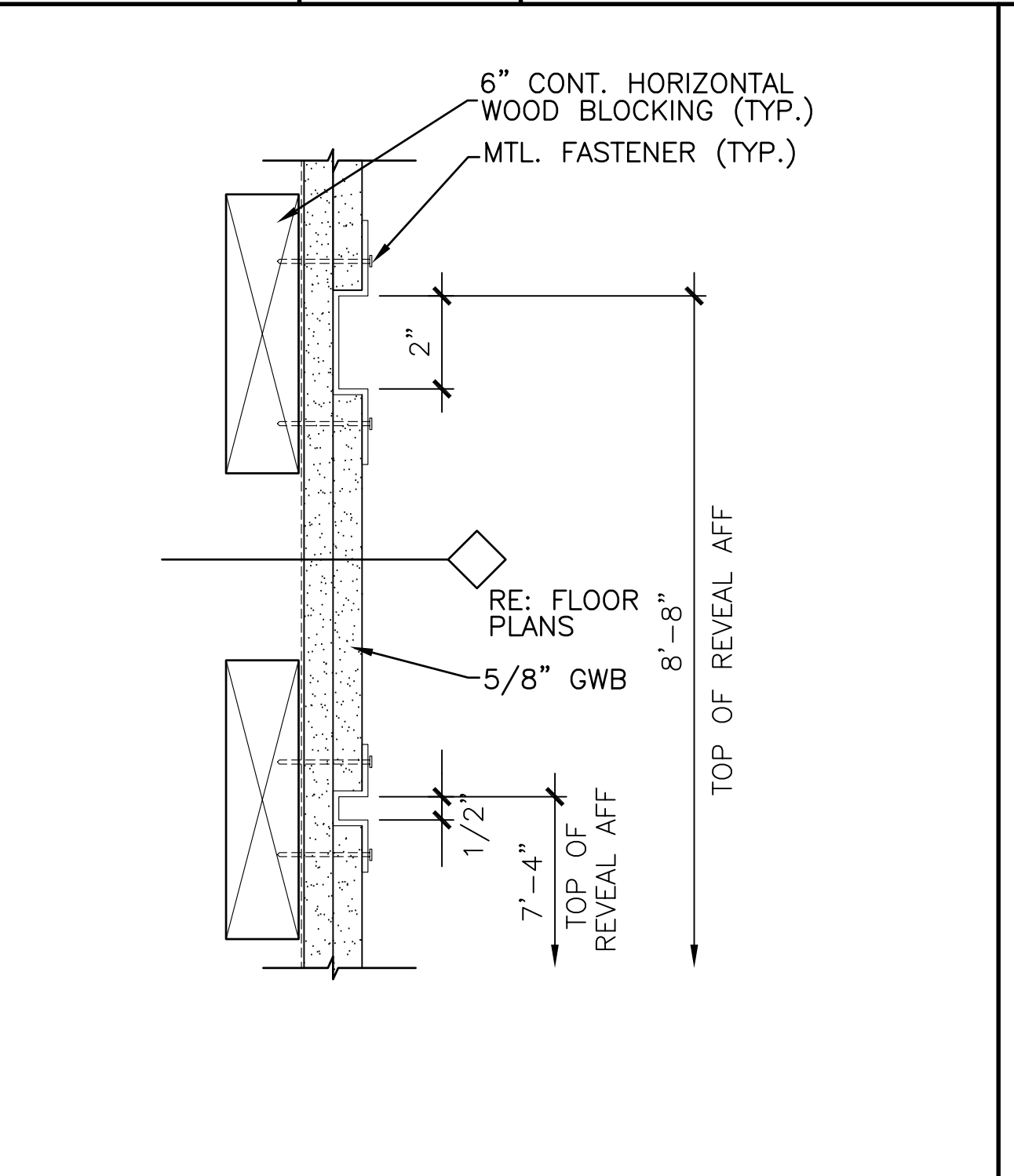
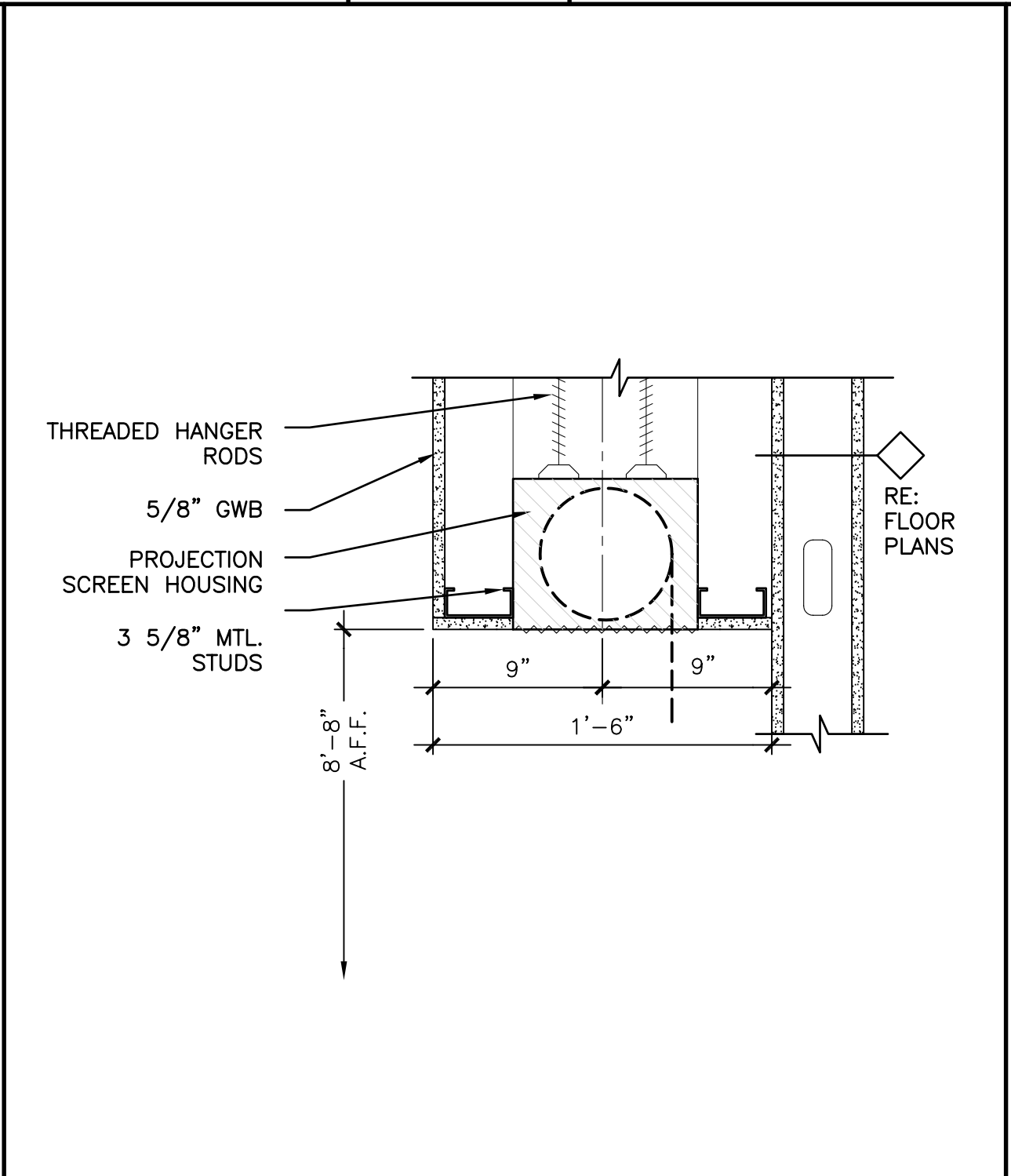
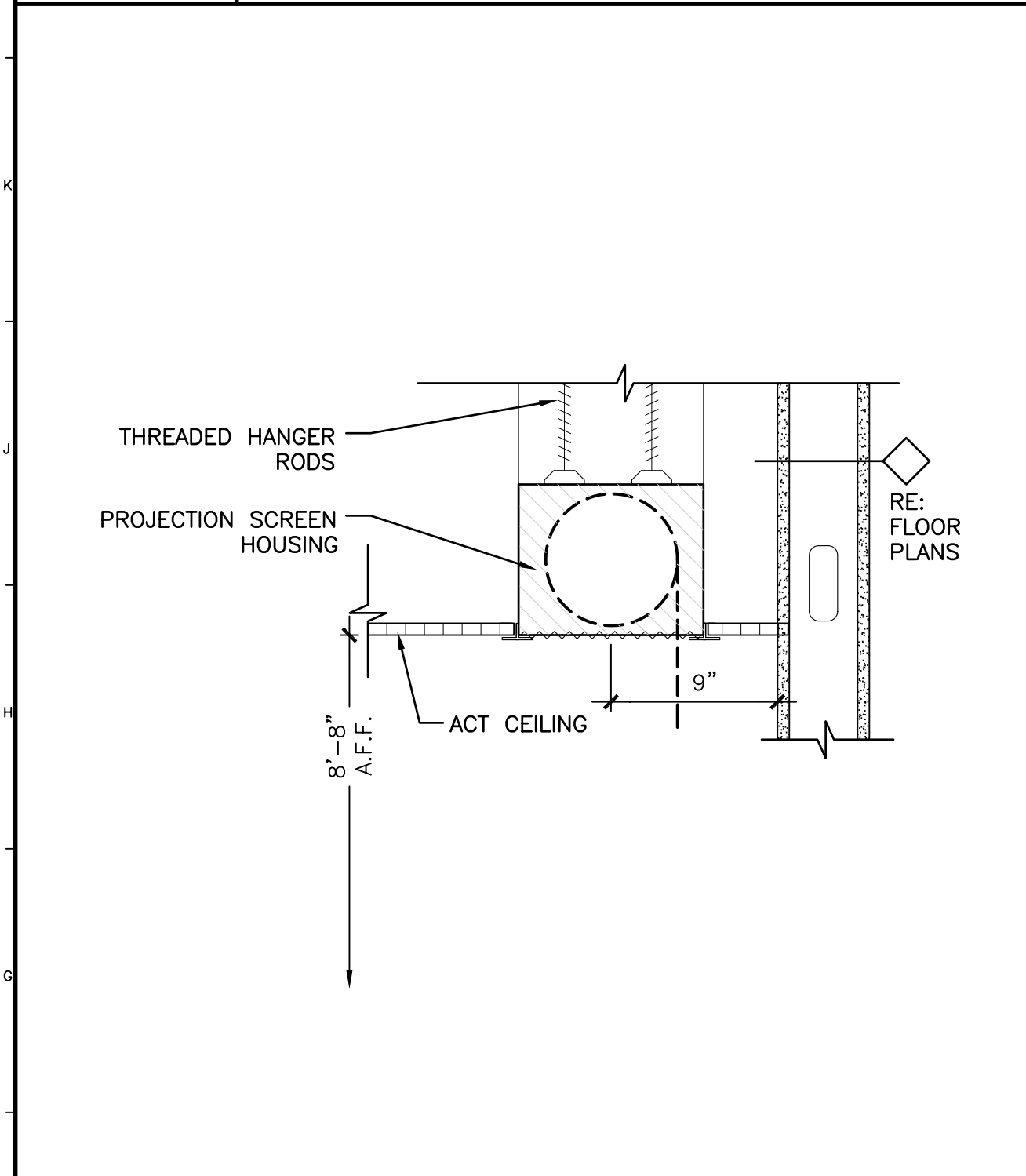


**GENERAL NOTES:**  
 1. RE G1002 FOR GENERAL NOTES.

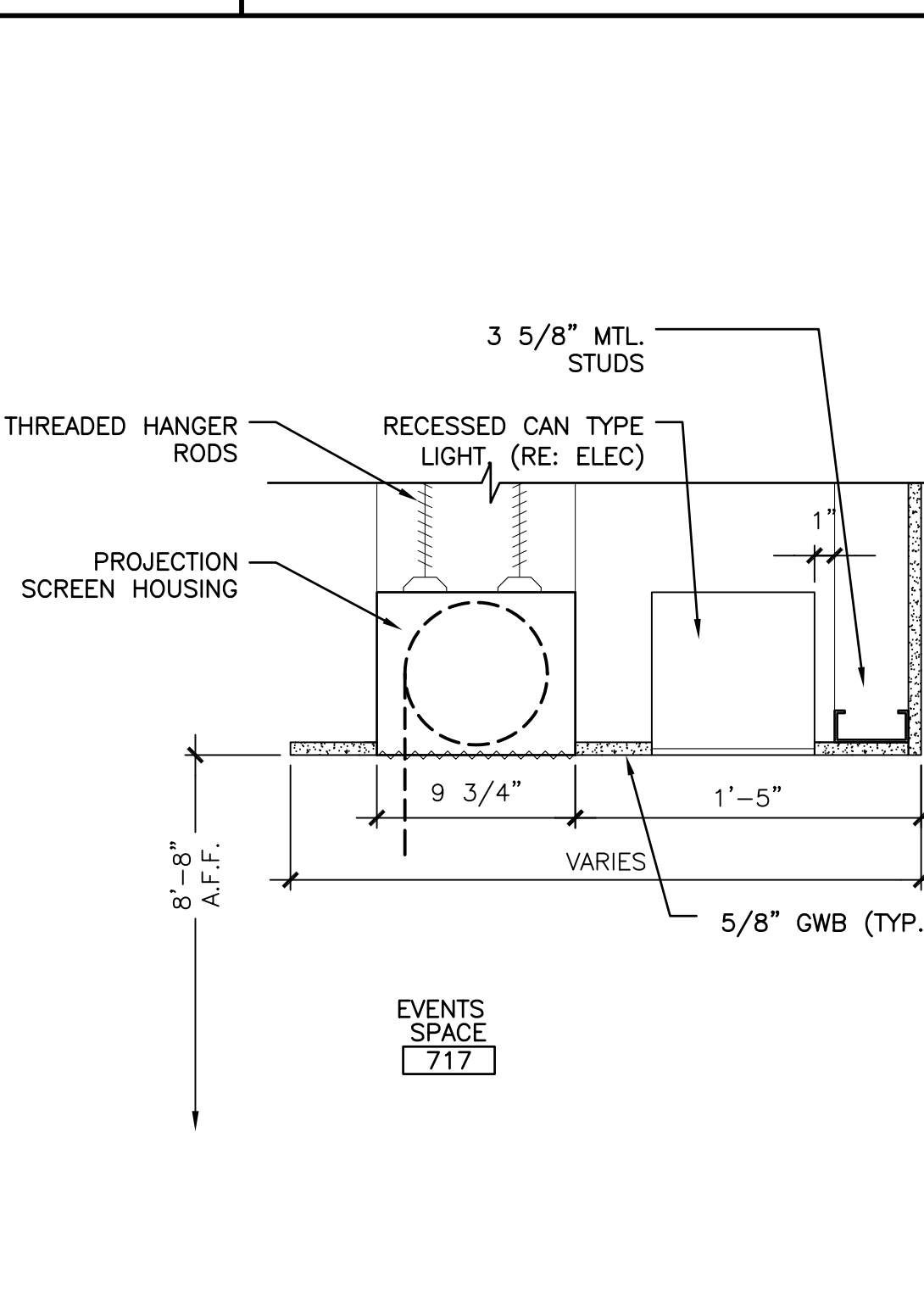
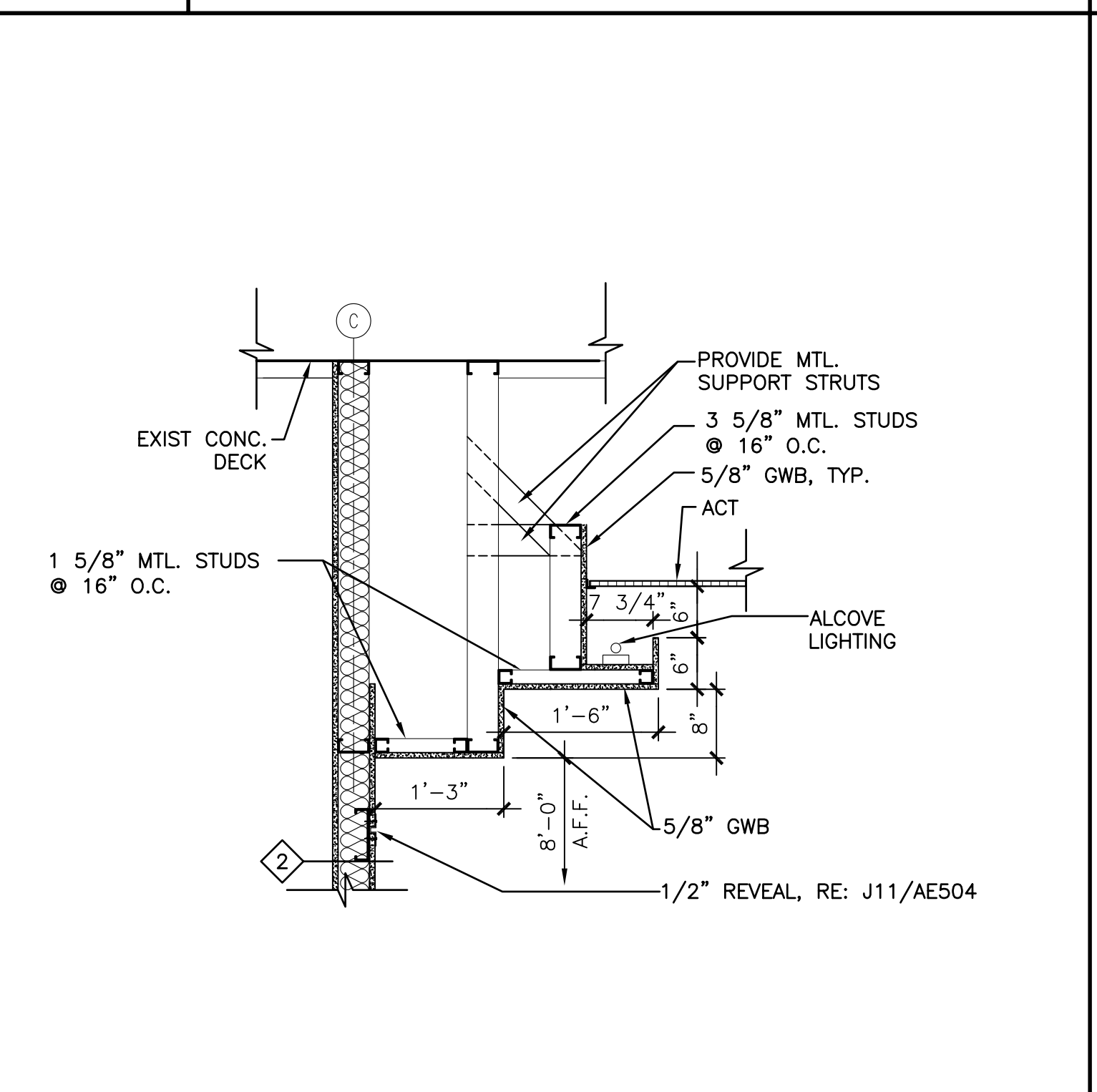
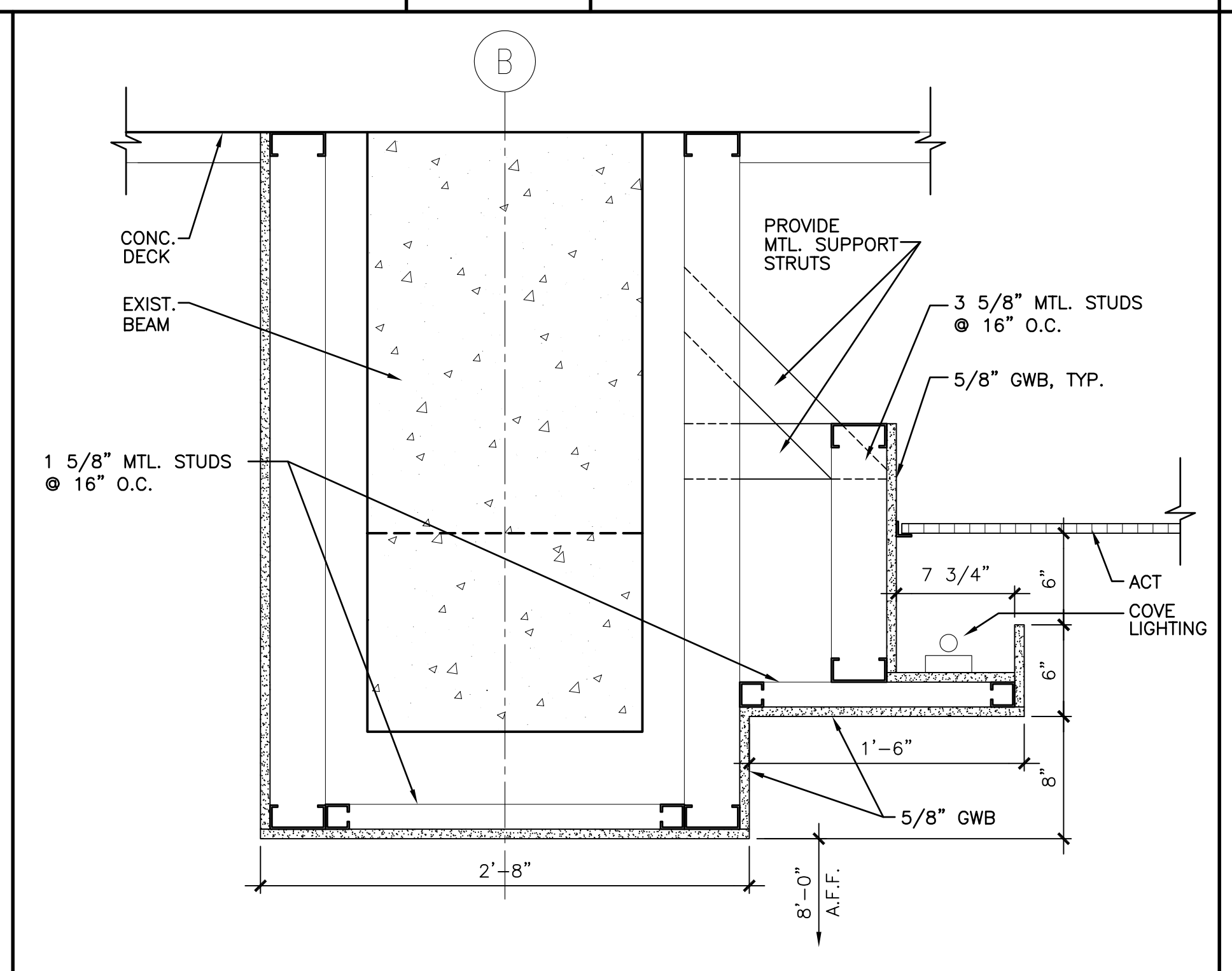
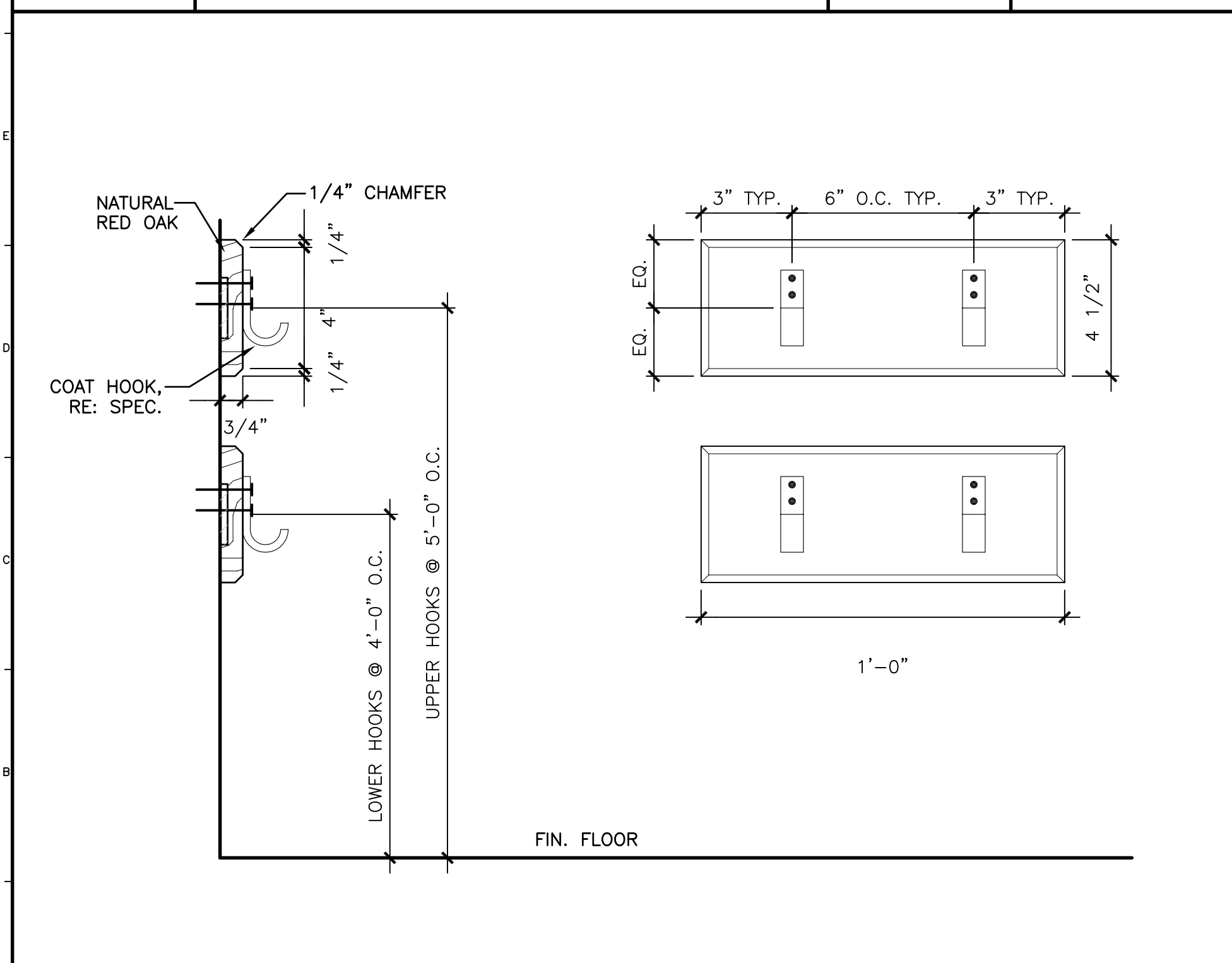
**DETAIL NOTES:**  
**GENERAL NOTES:**  
 1. COORDINATE ALL STEEL STRAPES AND CONNECTIONS WITH STRUCTURAL G1002 FOR GENERAL NOTES.

**CASEWORK NOTES:**  
 1. PROVIDE UPPER CABINET WHERE SHOWN IN ELEVATION ONLY.  
 2. PROVIDE CUTOUTS IN ALL CASEWORK AS REQUIRED FOR ELECTRICAL/ DATA WIRING. PROVIDE PLASTIC GROMETS @ ALL VISIBLE CUTOUTS IN CASEWORK.  
 3. PROVIDE A 1 1/2" WOOD FILLER ON CASEWORK THAT IS ADJACENT TO OR BETWEEN WALLS U.N.O.  
 4. ADD 1 1/2" FILLER ON CASEWORK WHERE TWO CABINETS JOIN @ AN INSIDE CORNER U.N.O.  
 5. ALL EXPOSED CABINET END PANELS TO BE FINISHED TO MATCH CABINETS AS SPECIFIED, U.N.O.  
 6. CUSTOM MILLWORK IS TO BE BUILT AS DRAW AND ALL DIMENSIONS ARE TO BE FIELD VERIFIED BEFORE CONSTRUCTION BEGINS. NOTIFY THE ARCHITECT OF ANY DISCREPANCIES IN WRITING PRIOR TO PROCEEDING WITH THE WORK.  
 7. RE: F11/AE501 FOR STAINED CHERRY BASE PROFILES, TYP.  
 8. RE: SPECS FOR FINISH MATERIAL SELECTIONS.

L1	SECTION	L5	SECTION	L8	SECTION	L13	SOFFIT DETAIL
1"=1'-0"	AE201	1"=1'-0"	AE201, AE210	1"=1'-0"	AE201	1 1/2"=1'-0"	AE113, AE114



F1	RECESSED PROJECTION SCREEN @ ELECTRONIC CLASSROOM	F4	RECESSED PROJECTION SCREEN @ SEMINAR ROOM	F7	TYPICAL WALL REVEAL	F11	TYPICAL CHERRY BASEBOARD SECTIONS	F15	TYP. GWB CEILING SECTION
1 1/2"=1'-0"	AE112, AE201	1 1/2"=1'-0"	AE113, AE201	3"=1'-0"	AE101, AE105, AE106, AE107	3"=1'-0"	AE106, AE107, AE210, AE513	1 1/2"=1'-0"	AE113



A1	COAT HOOKS ELEV./SECTION (TYP.)	A6	SOFFIT @ GREAT READING ROOM	A11	SOFFIT @ GREAT READING ROOM	A15	RECESSED PROJ. SCREEN
3"=1'-0"	AE106, AE210	1 1/2"=1'-0"	AE114	3/4" = 1'-0"	AE114, AE201, AE210	1 1/2" = 1'-0"	AE114

0	ISSUED FOR CONSTRUCTION	3-17-03
REV.	DESCRIPTION	DATE
<b>ISSUED FOR CONSTRUCTION</b> 3-17-03		
CURRENT ISSUE STATUS:		
<b>SM RT</b> ARCHITECTURE ENGINEERING PLANNING SMRT 144 Fore Street/P.O. Box 618 Portland, Maine 04104 tel. (207) 773-3846 fax. (207) 772-1070		
<b>GLICKMAN LIBRARY</b> <b>UNIVERSITY OF SOUTHERN MAINE</b> PORTLAND, MAINE		
<b>INTERIOR SECTIONS &amp; DETAILS</b>		
SHEET TITLE:		
SCALE:	AS NOTED	DATE: 3-17-03
PROJECT MANAGER:	SLB	GRAPHIC SCALE: 0" = 1'
JOB CAP/DRAWN:	CTB	
A/E OF RECORD:	JLH	SHEET No.
SMRT CAD FILE:	AE501-99092	
PROJECT No.	99092	<b>AE501</b>