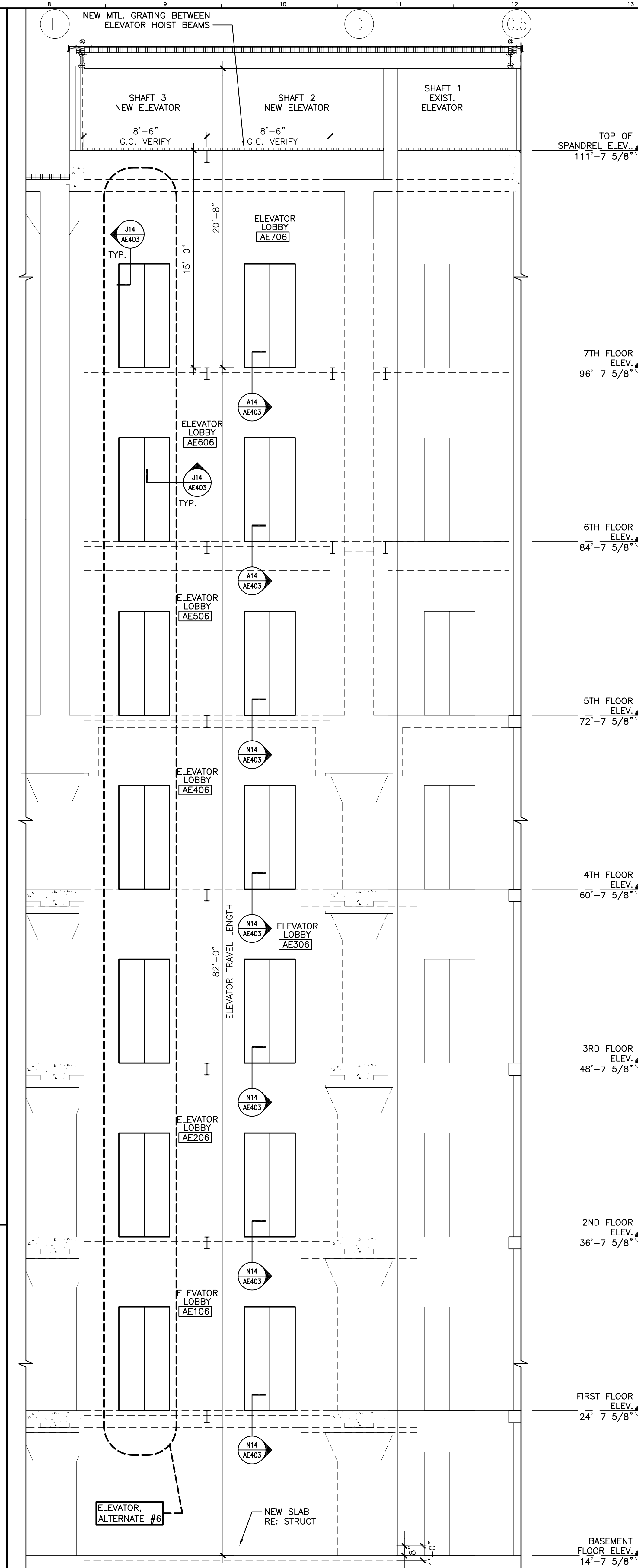
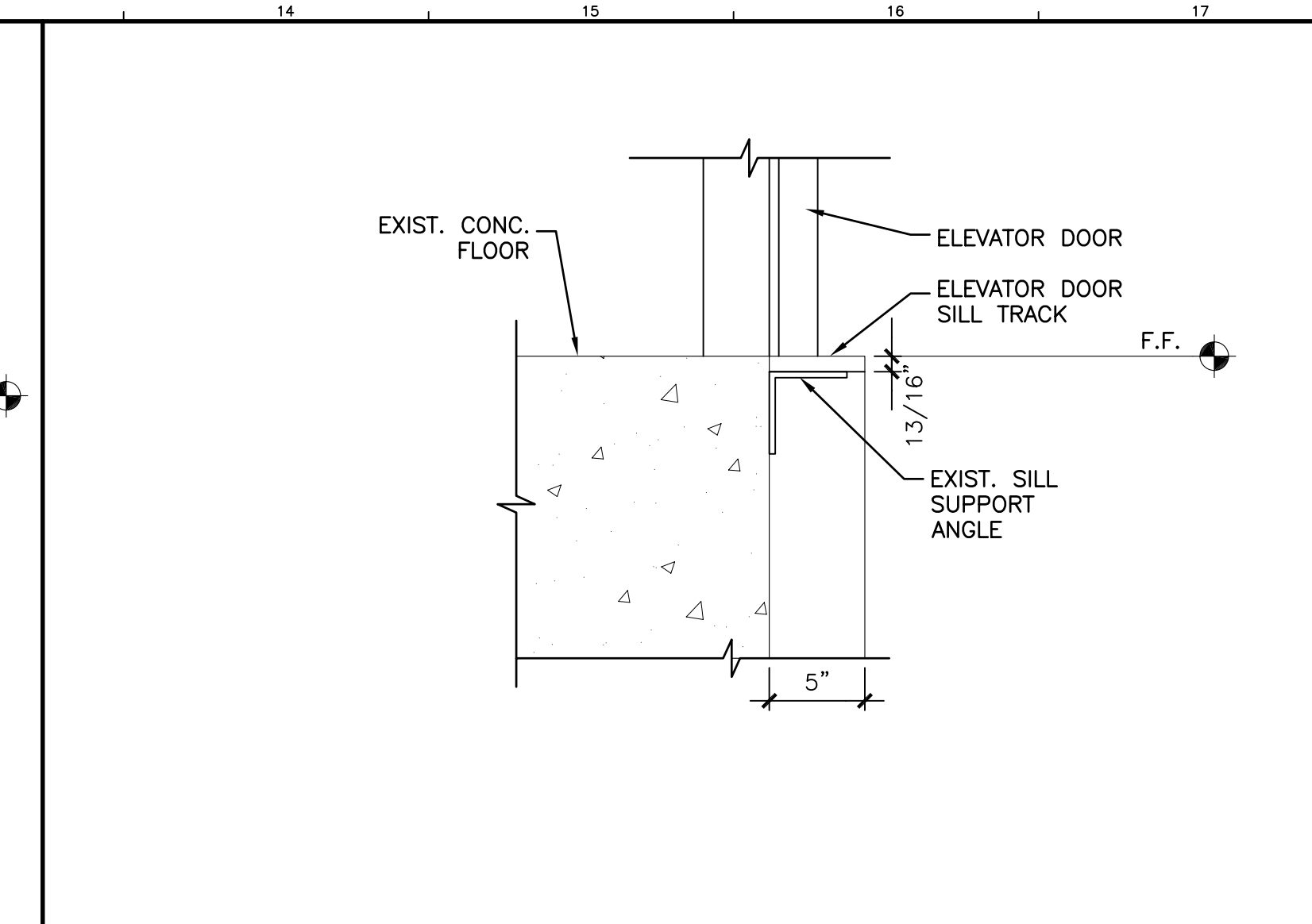


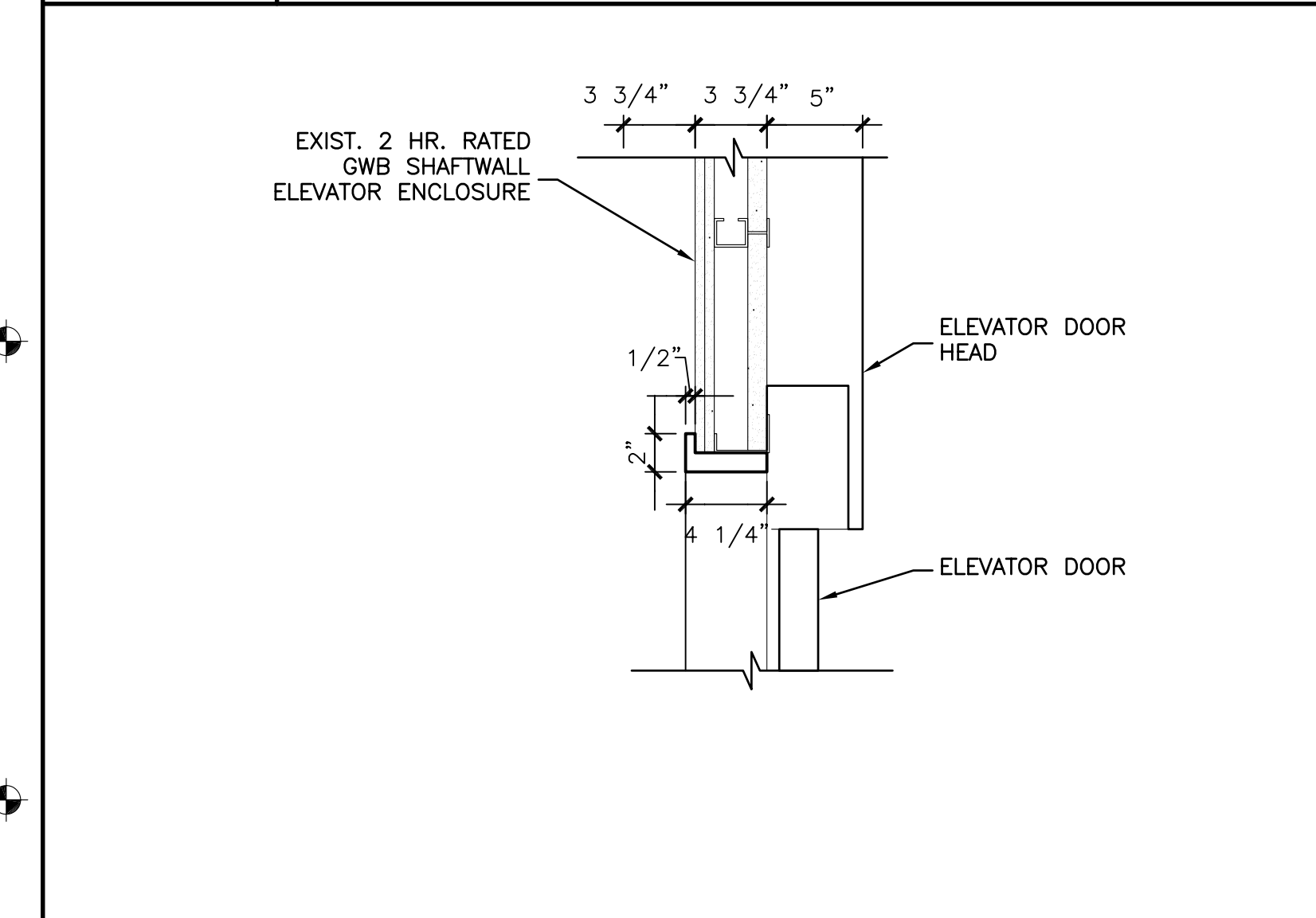
A1 TYP. LARGE SCALE ELEVATOR PLAN
 1/4" = 1'-0" AE101, AE102, AE103, AE104, AE105, AE106, AE107



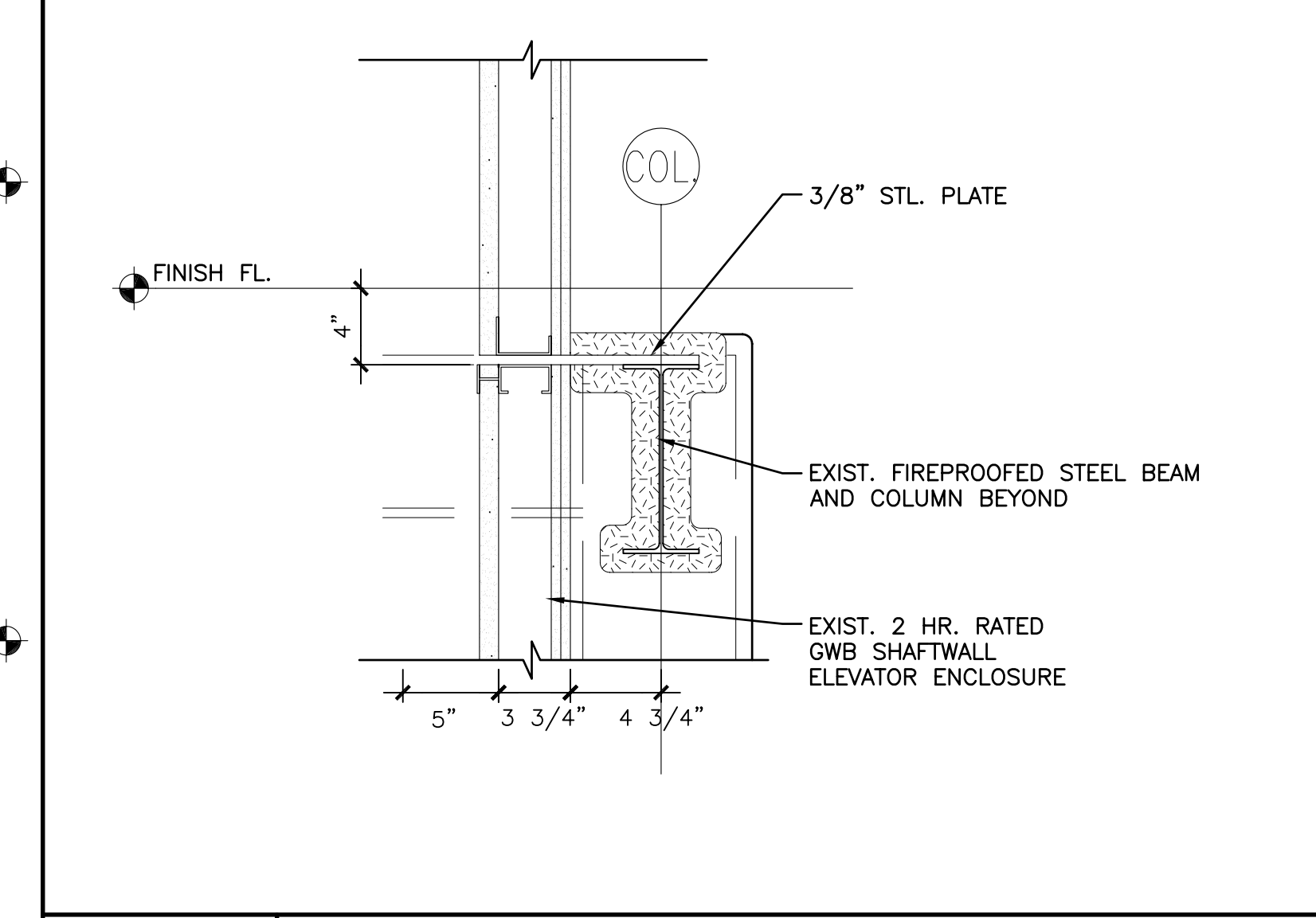
A8 BUILDING SECTION AT ELEVATOR LOBBY
 1/4" = 1'-0" AE403



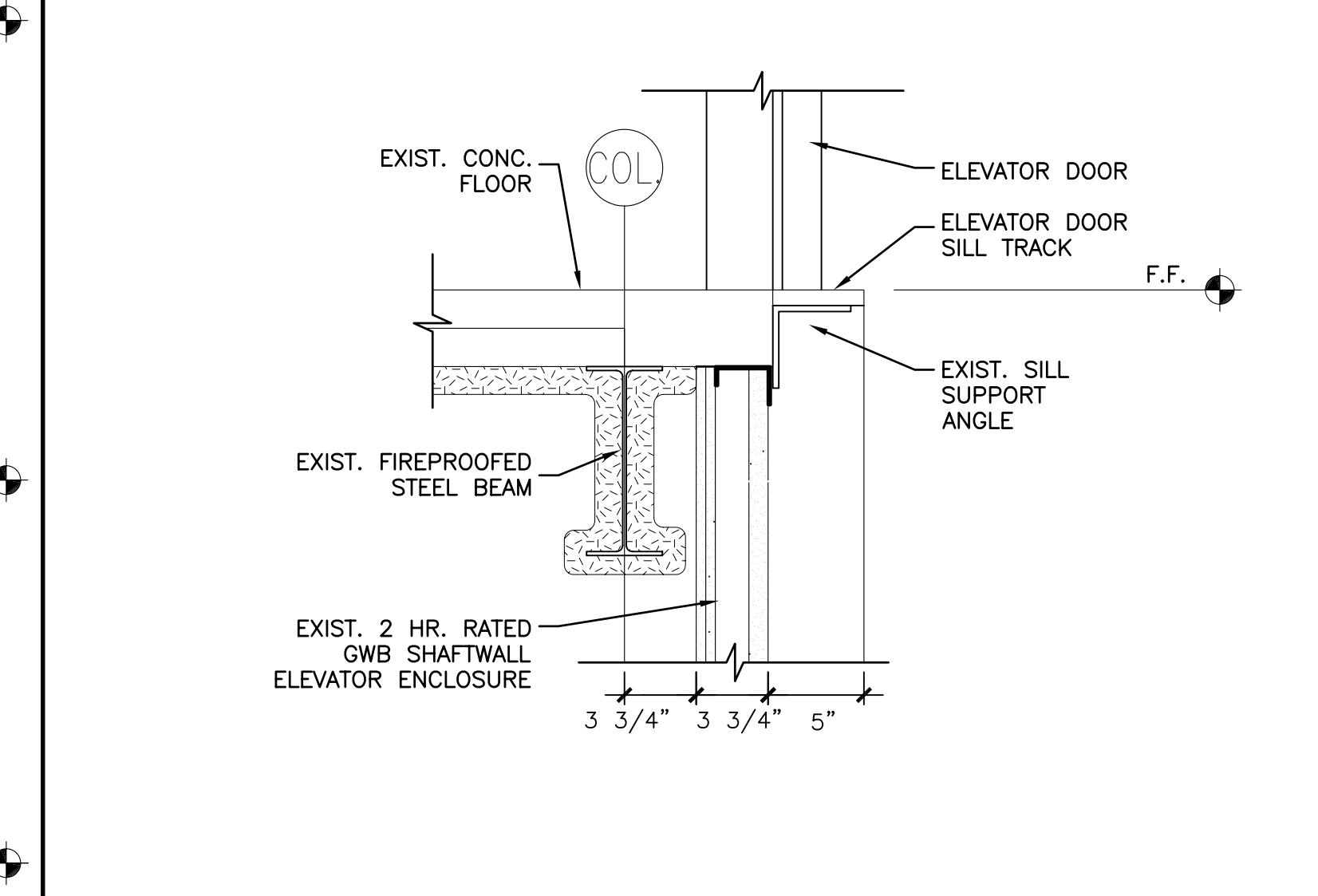
N14 ELEV. SILL SECTION @ FLOORS 1 THRU 5
 1 1/2" = 1'-0" AE403



J14 TYP. ELEVATOR DOOR HEAD SECTION
 1 1/2" = 1'-0" AE403



E14 EXISTING BEAM & SHAFTWALL SECTION
 1 1/2" = 1'-0" AE403



A14 ELEVATOR SILL SECTION @ FLOORS 6 & 7
 1 1/2" = 1'-0" AE403

GENERAL NOTES:

- RE GIO02 FOR GENERAL NOTES.
- ENLARGED FLOOR PLAN NOTES:**
 - DIMENSIONS ARE GIVEN FROM CENTER OF NEW WALLS, CENTER OF DOOR OPENINGS, FACE OF MASONRY AND FACE OF EXISTING WALLS U.N.O.
 - "ALIGN" MEANS TO ALIGN TO FACE OF FINISHES.
 - RE: GIO02 FOR TYPICAL MOUNTING HEIGHTS.
 - RECESSED TOILET ACCESSORIES (WHERE SPECIFIED) MAY NOT BE SHOWN GRAPHICALLY AS RECESSED.
 - RE: FLOOR PLANS FOR ADDITIONAL KEYNOTES.
 - PROVIDE BLOCKING FOR ALL WALL MOUNTED FIXTURES WHERE NEEDED.
 - PROVIDE ROUGH OPENING FOR FIRE RATED ACCESS PANELS AS NEEDED. (RE: MANUFACTURERS SPECS.)
 - RE: ROOM FINISH SCHEDULE & INTERIOR ELEVATIONS FOR FINISH TYPES & COLORS.
 - RE: FLOOR PLANS FOR PLAN DETAIL REFERENCE MARKERS.
 - G.C. TO VERIFY EXISTING ELEVATOR HOISTWAY FOR PREVIOUSLY INSTALLED ELEVATOR COMPONENTS. ANY REQUIRED COMPONENTS THAT DO NOT ALREADY EXIST ARE TO BE BROUGHT TO THE ATTENTION OF THE ARCHITECT AND SUPPLIED AS NEEDED. ANY REQUIRED DETAILS ARE TO BE APPROVED BY THE ARCHITECT PRIOR TO INSTALLATION.

KEY NOTES:

- 2 CEILING RECESSED PROJECTION SCREEN
- 3 MARKER BOARD

REV.	DESCRIPTION	DATE
0	ISSUED FOR CONSTRUCTION	3-17-03

ISSUED FOR CONSTRUCTION 3-17-03
 CURRENT ISSUE STATUS:



SMRT ARCHITECTURE ENGINEERING PLANNING
 144 Fore Street, P.O. Box 618
 Portland, Maine 04104
 tel. (207) 772-3846
 fax. (207) 772-1070

GLICKMAN LIBRARY
 UNIVERSITY OF SOUTHERN MAINE
 PORTLAND, MAINE

ENLARGED ELEVATOR PLAN, SECTION & DETAILS

SHEET TITLE:	AS NOTED	DATE:	3-17-03
PROJECT MANAGER:	SLB	GRAPHIC SCALE:	0" = 1"
JOB CAP/DRAWN:	CTB	A/E OF RECORD:	JLH
SMRT CAD FILE:	AE403-99092	SHEET No.	AE403
PROJECT No.	99092		