

LIGHTING

Table listing lighting symbols and their descriptions, including 2x4 fluorescent fixture, 1x4 fluorescent fixture, 2x2 fluorescent fixture, and various types of switches and sensors.

COMMUNICATION & DATA SYSTEMS

Table listing communication and data system symbols and their descriptions, including telephone system wall jack, data system outlet, and paging system control panel.

POWER

Table listing power symbols and their descriptions, including non-fused safety switch, fused safety switch, magnetic motor starter, and various types of receptacles and switches.

GROUNDING

Table listing grounding symbols and their descriptions, including ground rod, exothermic weld connection, and bare copper conductor.

NURSE CALL SYSTEM

Table listing nurse call system symbols and their descriptions, including nurse call call light, patient call button, and nurse call master station.

LINE TYPES

Table listing line types and their descriptions, including existing, new, and demolition lines.

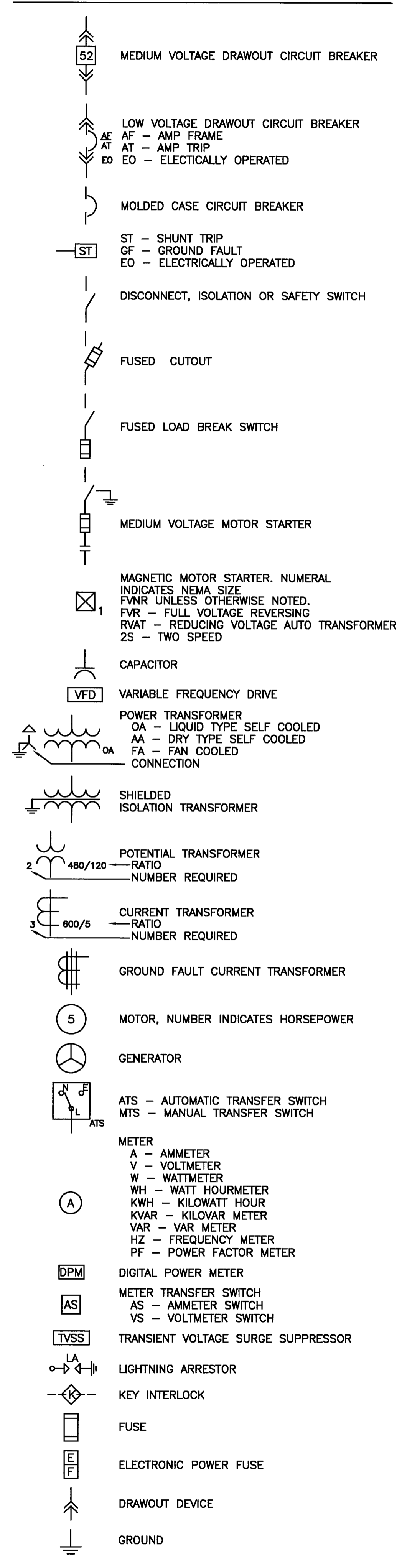
FIRE ALARM

Table listing fire alarm symbols and their descriptions, including fire alarm control panel, fire alarm annunciator, fire alarm master box, and various types of detectors and notification appliances.

SECURITY SYSTEMS

Table listing security system symbols and their descriptions, including 2-way ceiling mounted intercom speaker, ceiling mounted paging speaker, wall mounted paging horn, and various types of cameras and control equipment.

ONE LINE DIAGRAM



ABBREVIATIONS

Table listing abbreviations and their meanings, including A.M.P. (AMP), AFF (ABOVE FINISHED FLOOR), AFG (ABOVE FINISHED GRADE), and many others.

GENERAL NOTES:

- List of 11 general notes regarding work performance, mounting heights, penetrations, grounding, and wiring specifications.

GENERAL NOTE

1. ALL GENERAL NOTES, SYMBOL LISTS, AND DETAILS ARE TO BE CONSIDERED AS APPLICABLE TO ALL ELECTRICAL DRAWINGS FOR THIS PROJECT.

Vertical sidebar containing project information, including project title (USM COMMUNITY EDUCATION CENTER), drawing title (LOWER LEVEL FIT-UP), date (4-18-06), and sheet number (E-001).