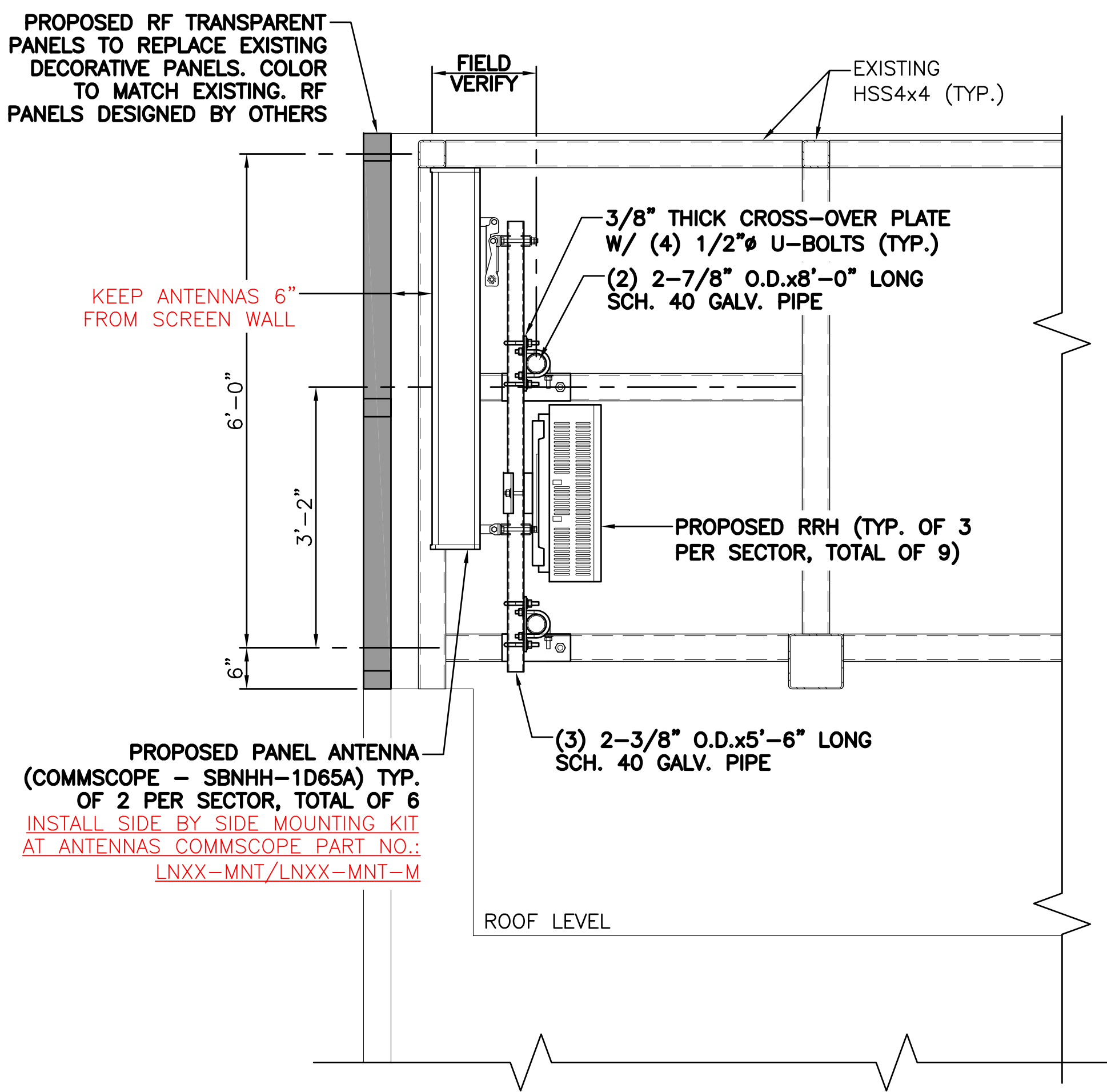
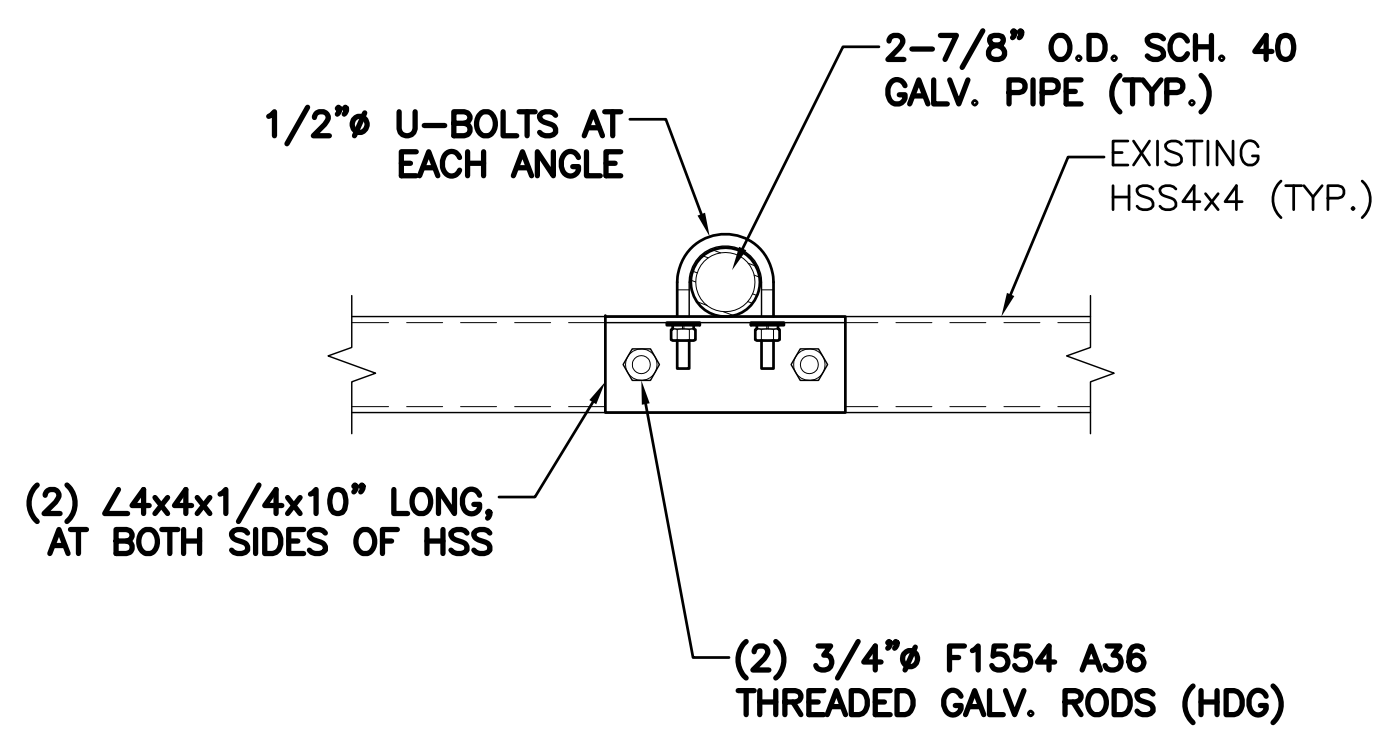


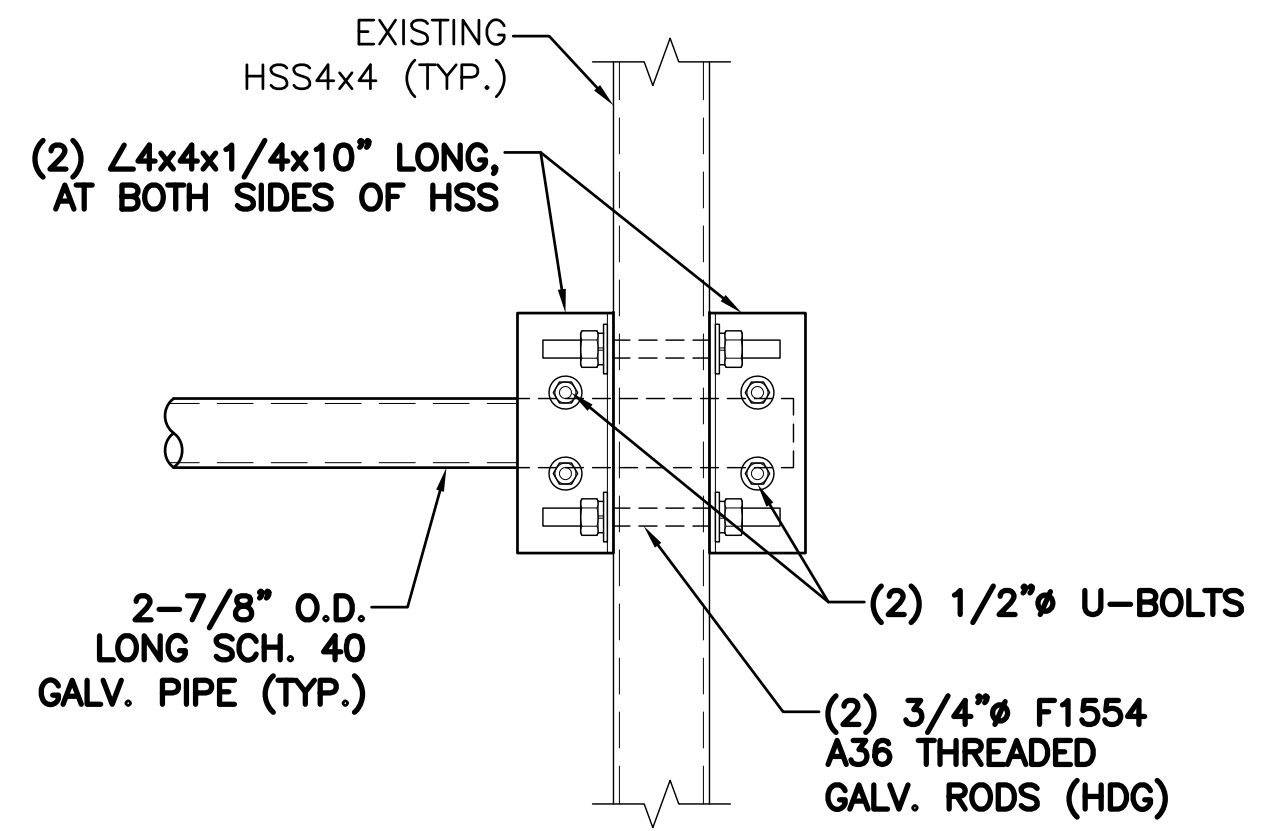
1 ALPHA ANTENNA MOUNTING DETAIL
SCALE: N.T.S.



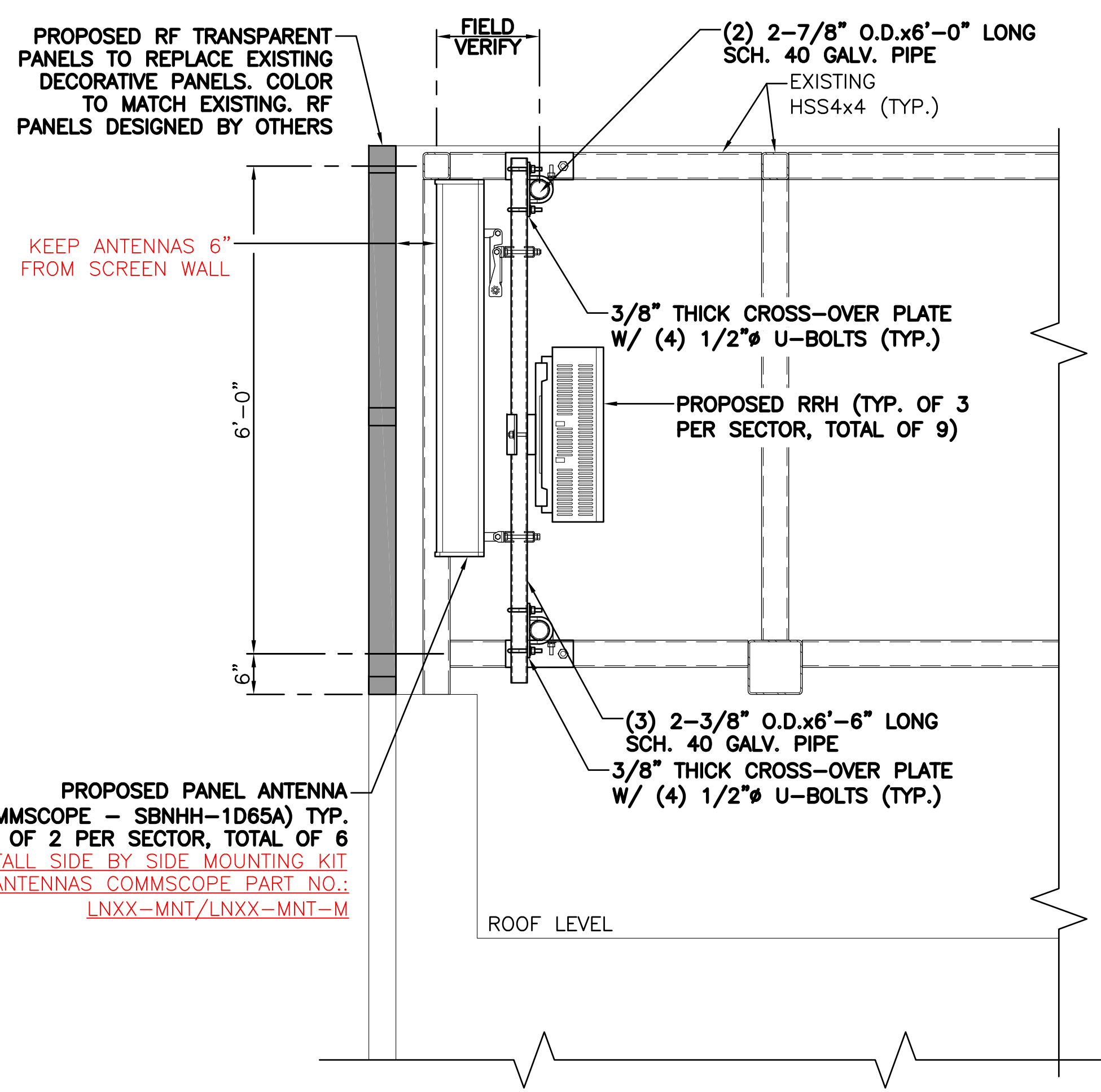
2 BETA ANTENNA MOUNTING DETAIL
SCALE: N.T.S.



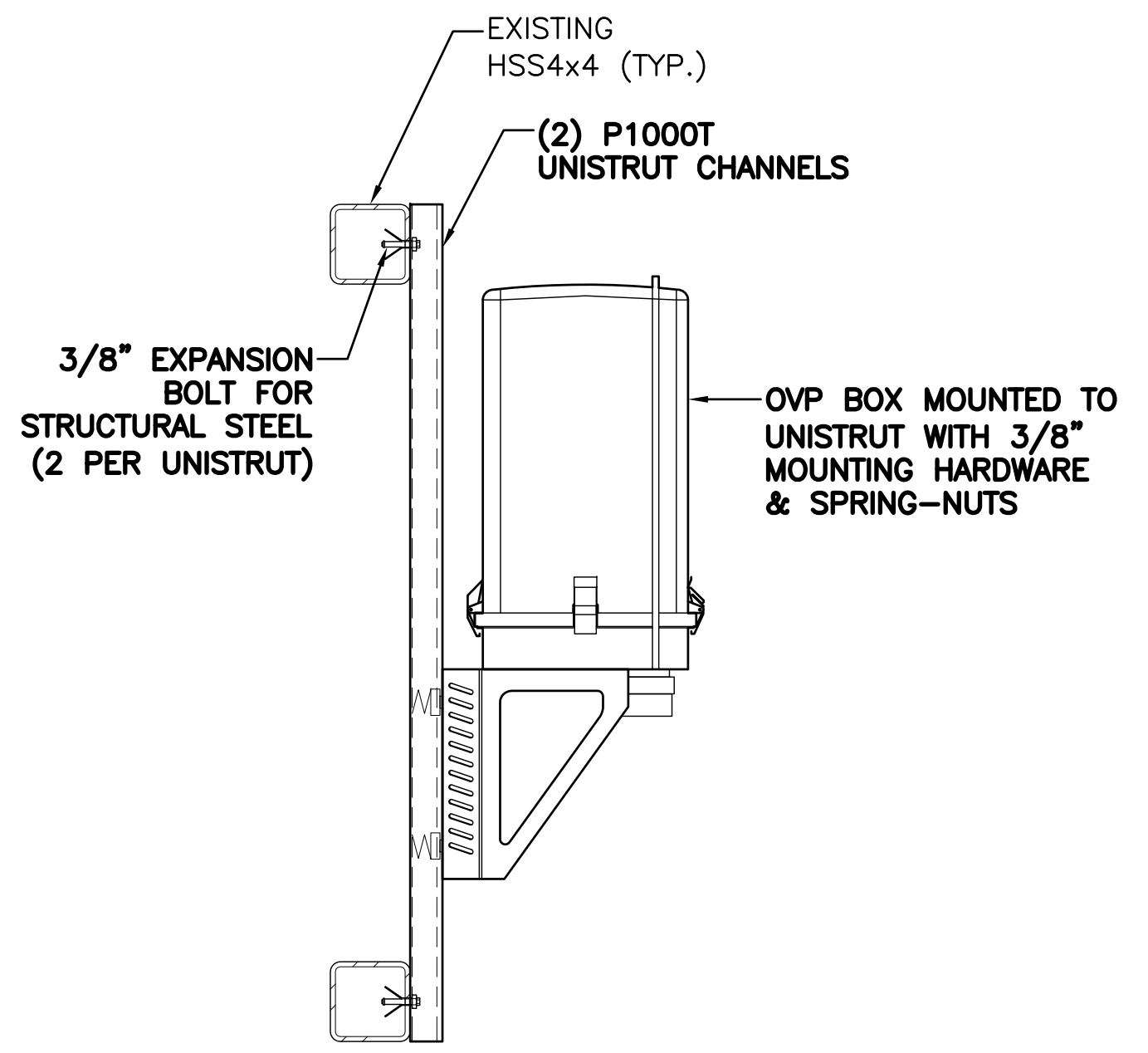
3 DETAIL
SCALE: N.T.S.



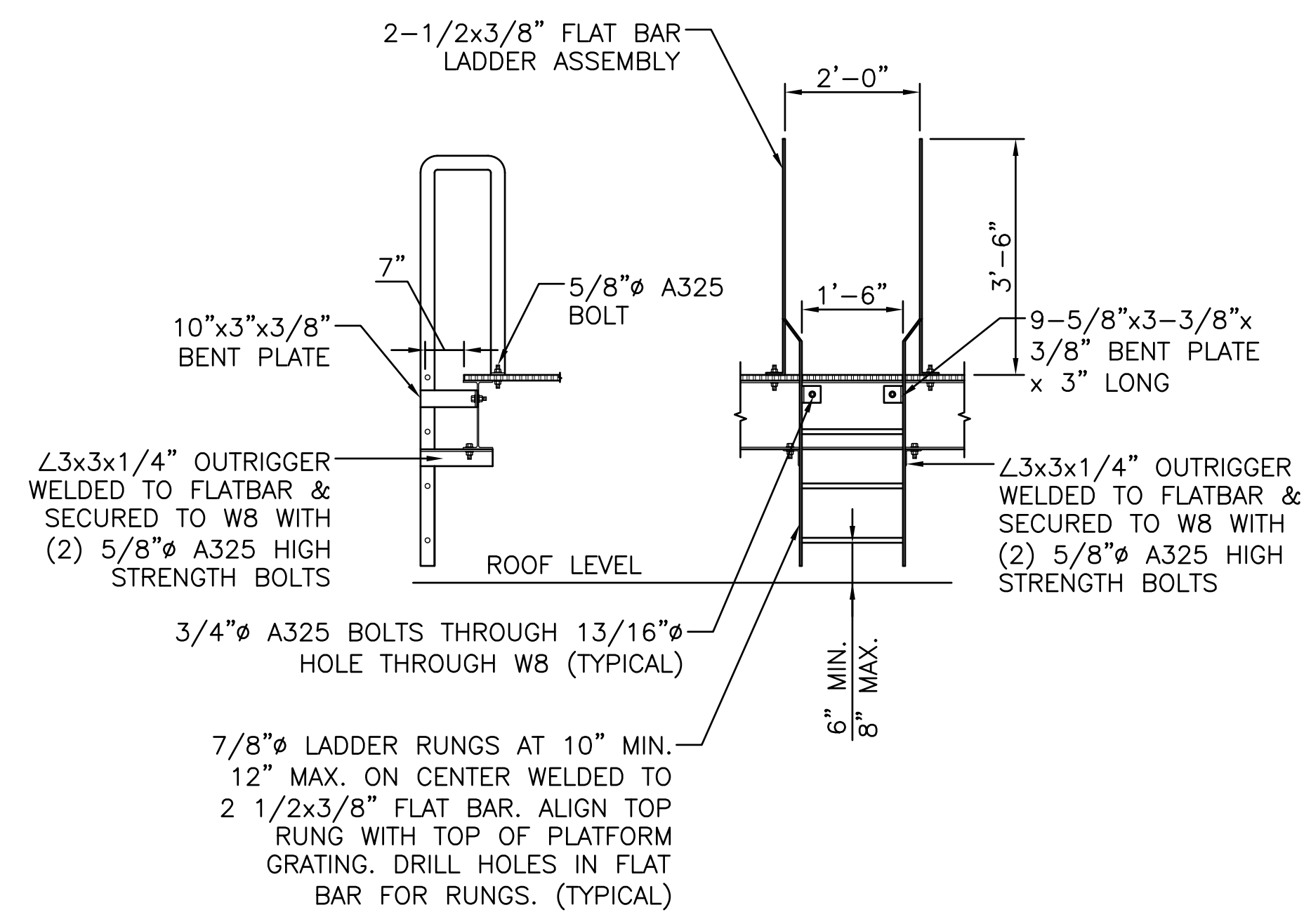
4 DETAIL
SCALE: N.T.S.



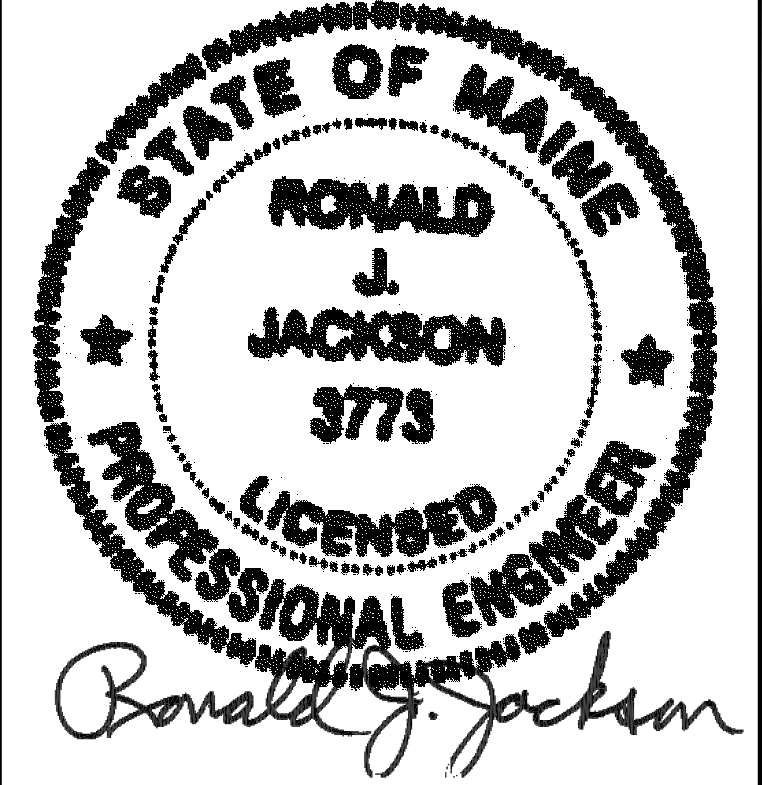
5 GAMMA ANTENNA MOUNTING DETAIL
SCALE: N.T.S.



6 OVP MOUNTING DETAIL
SCALE: N.T.S.



7 PLATFORM LADDER DETAIL
SCALE: N.T.S.



THIS DOCUMENT IS THE DESIGN PROPERTY AND COPYRIGHT OF NEXIUS AND FOR THE EXCLUSIVE USE BY THE TITLE CLIENT. DUPLICATION OR USE WITHOUT THE EXPRESS WRITTEN CONSENT OF THE CREATOR IS STRICTLY PROHIBITED.
DRAWING SCALES ARE INTENDED FOR 24"x36" SIZE PRINTED MEDIA ONLY. ALL OTHER PRINTED SIZES ARE DEEMED "NOT TO SCALE".

SUBMITTALS			
REV	DATE	DESCRIPTION	BY
0	03/01/17	FOR REVIEW	JM
1	03/13/17	REVISED PER COMMENTS	JM
2	04/07/17	REVISED FOR CONSTRUCTION	JM

SITE INFO:
SITE NAME:
PORTLAND_8_ME
LOCATION CODE:
380405
SITE ADDRESS:
**44 BEDFORD STREET
PORTLAND, ME 04101
CUMBERLAND COUNTY**

SHEET TITLE: STRUCTURAL DETAILS	
NEXIUS PROJ. NO: VZ11509	SHEET NUMBER: S-2
CHECKED BY: JC	
CHECKED BY DATE: 03/01/17	