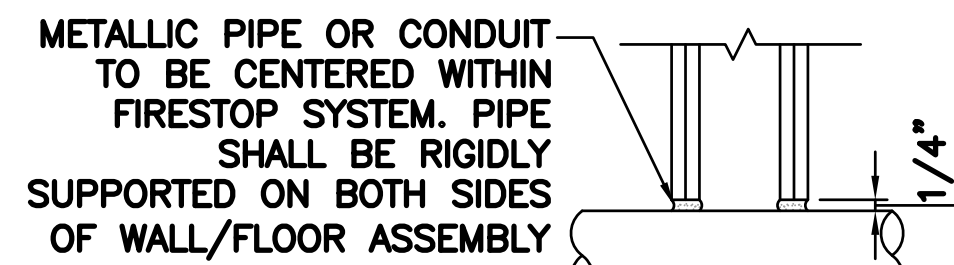


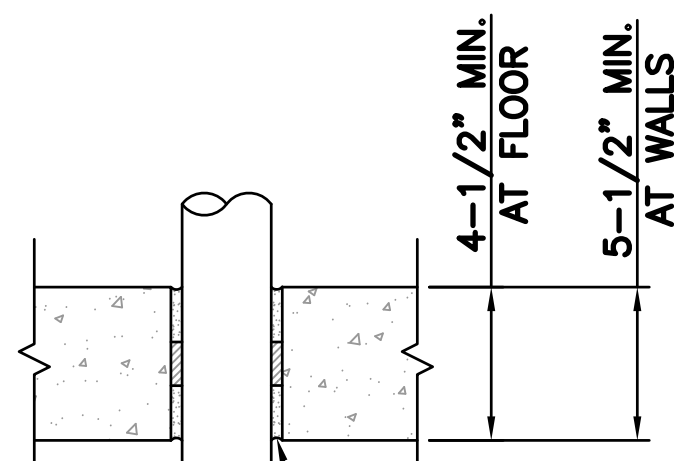
PIPE OR CONDUIT	ANNUAL SPACE IN.	MIN. FILL MATERIAL THICKNESS	F RATING HR
PIPE	3/4"	1-1/4"	2
CONDUIT	3/4"	3/4"	1



FILL VOID WITH CAULK, FLUSH WITH BOTH SURFACES OF WALL. (SEE TABLE) SEALANT: TREMCO INC, TREMSTOP-WBM

UL SYSTEM NUMBER: WL2038  
F RATING - 1 & 2 HR.

PIPE & CONDUIT PENETRATION  
DETAIL IN GYPSUM WALLBOARD

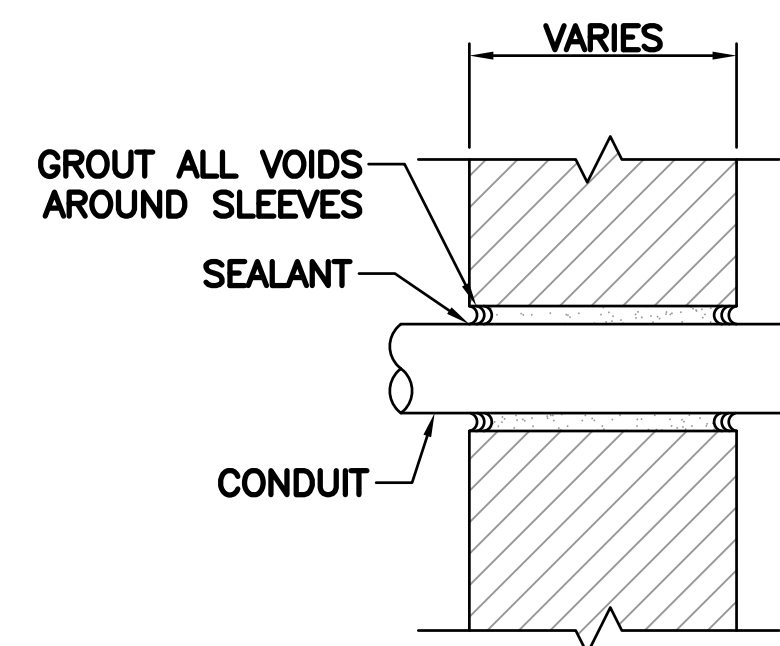


UL SYSTEM NUMBER: CAJ2057  
F RATING - 2 HR.

ONE 2" SCHEDULE 40 PVC PIPE TO BE CENTERED WITHIN FIRESTOP SYSTEM. A NOM. ANNULAR SPACE OF 5/16" IS REQUIRED WITHIN THE FIRESTOP SYSTEM PIPE SHALL BE RIGIDLY SUPPORTED ON BOTH SIDES OF WALL/FLOOR ASSEMBLY

PACKING MATERIAL SHALL BE A MIN. OF 1 1/2" THICK OF MIN. 6 PCF MINERAL WOOL BATT INSULATION FIRMLY PACKED IN OPENING. FILL VOID W/ A MIN. OF 2" THICK OF SEALANT APPLIED FLUSH W/THE TOP SURFACE OF BOTH SIDES OF FLOOR/WALL SEALANT: SPECSEAL 500, 501, 502 OR 505 SEALANT BY SPECIFIED TECHNOLOGIES, INC.

PVC CONDUIT PENETRATION  
DETAIL IN CONCRETE OR MASONRY



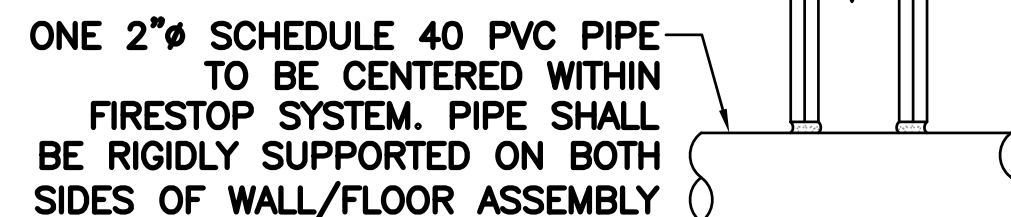
UL SYSTEM NUMBER: WL2038  
F RATING - 1 & 2 HR.

NOTE:  
CORE HOLE 1 1/2" LARGER THAN THE DIAMETER OF THE CONDUIT. CORE DRILLS TO BE SEALED WITH ELASTOMERIC SEALANT.

PIPE & CONDUIT PENETRATION  
DETAIL IN NON-RATED PARTITION

1 TYPICAL CONDUIT PENETRATION DETAILS  
SCALE: N.T.S.

MAX. DIA. OF THROUGH PENETRANT	NOMINAL ANNULAR SPACE IN.	FILL MATERIAL TYPE
1"	1/2"	FSP 1100 PUTTY
2"	1"	FS 1900 SEALANT



SEALANT, MIN. OF 1 1/4" THICK, FLUSH WITH BOTH SURFACES OF WALL FOR 2 HR. ASSEMBLY, 5/8" THICK FOF 1 HR. ASSEMBLY. A 5/8" CROWN AROUND CONDUIT WITH A 1" MIN. LAP AROUND OPENING SEALANT: INTERNAT'L PROTECTIVE COATINGS CORP-FSP 110 PUTTY OR FS1900 SEALANT

UL SYSTEM NUMBER: WL2038  
F RATING - 1 & 2 HR.

PVC CONDUIT PENETRATION  
DETAIL IN GYPSUM WALLBOARD

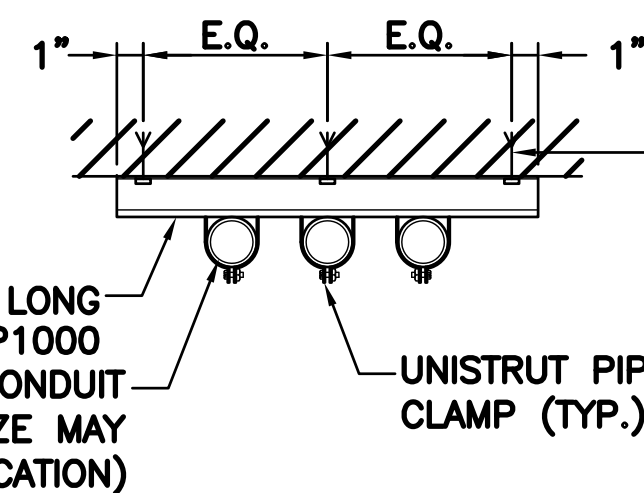
FLOOR OR WALL	MIN. THICK.	MAX PIPE DIA.	MIN. ANNULAR SPACE	MAX. ANNULAR SPACE	MIN. FILL MAT. THICK.	MIN. FORM MAT. THICK.	F RATING
F	3-3/4"	1-1/2"	3/8"	2-1/8"	1"	2-3/4"	2
F	3-3/4"	6"	3/8"	3/4"	1"	2-3/4"	2
F	3-3/4"	6"	3/8"	1"	2"	1-3/4"	2
F	4-3/4"	1-1/2"	3/8"	2-1/8"	1"	3-3/4"	3
F	4-3/4"	6"	3/8"	3/4"	1"	3-3/4"	3
F	4-3/4"	6"	3/8"	1"	2"	2-3/4"	3
W	5-3/4"	1-1/2"	3/8"	2-1/8"	1"	3-3/4"	3
W	5-3/4"	6"	3/8"	3/4"	1"	3-3/4"	3
W	6-3/4"	1-1/2"	3/8"	2-1/8"	2"	2-3/4"	3
W	6-3/4"	6"	3/8"	1"	2"	2-3/4"	3

UL SYSTEM NUMBER: CAJ1020  
F RATING - 3 HR.

ONE METALLIC PIPE, CONDUIT OR TUBING TO BE INSTALLED EITHER CONCENTRICALLY OR ECCENTRICALLY WITHIN THE FIRESTOP SYSTEM. PIPE, CONDUIT OR TUBING TO BE RIGIDLY SUPPORTED ON BOTH SIDES OF FLOOR OR WALL. FORMING MATERIAL SHALL BE A MIN. OF 1 1/2" THICK OF MIN. 4.0 PCF MINERAL WOOL BATT INSULATION FIRMLY PACKED IN OPENING, USG INTERIORS-TYPE SAF. THICKNESS OF SEALANT APPLIED FLUSH W/THE TOP SURFACE OF BOTH SIDES OF FLOOR/WALL (SEE TABLE), USG INTERIORS-TYPE SS

PIPE & CONDUIT PENETRATION  
DETAIL IN CONCRETE OR MASONRY

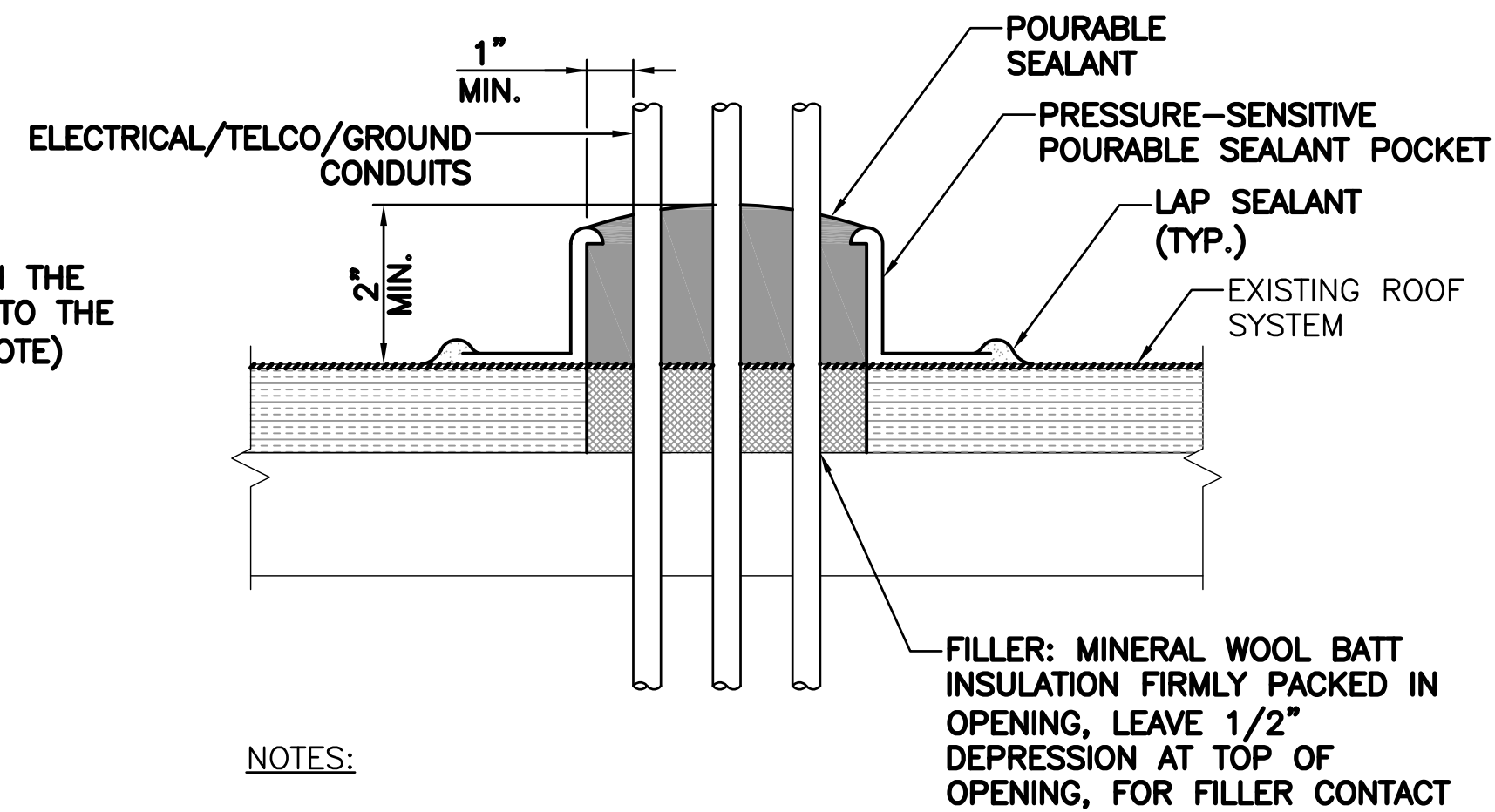
NOTE:  
1. CONTRACTOR TO X-RAY PRIOR TO DRILLING OR CORING TO LOCATE EXISTING REBAR. DO NOT CUT REBAR.



PROVIDE APPROPRIATE FASTENERS TO ATTACH THE PROPOSED UNISTRUT TO THE CEILING/WALL (SEE NOTE)

NOTE:  
1. MASONRY - 3/8" HY20 HILTI ANCHORS  
2. WOOD - 3/8" LAG BOLTS  
3. DRYWALL - PROVIDE WOOD BLOCKING & USE WOOD LAG BOLTS

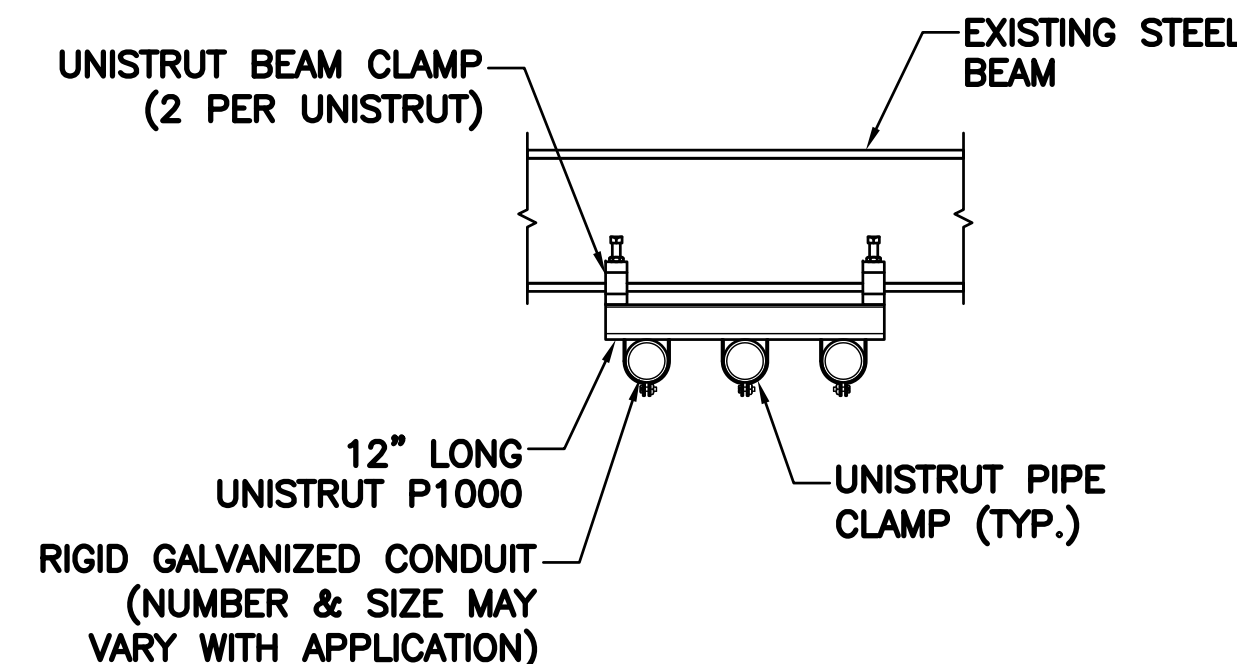
2 CONDUIT SUPPORT DETAIL  
SCALE: N.T.S.



NOTES:

- 180°F MAXIMUM TEMPERATURE.
- POURABLE SEALER MUST CONTACT UNCURED ELASTO-FORM FLASHING & DECK MEMBRANE.
- POURABLE SEALER MUST COMPLETELY FILL POURABLE SEALER POCKET TO PREVENT PONDING OF WATER.
- SECUREMENT IS REQUIRED FOR POURABLE SEALER POCKETS WHICH ARE GREATER THAN 18" IN DIAMETER.
- POURABLE SEALER TO BE MIN. 2" DEEP.
- POURABLE SEALER MUST CONTACT THE BARE SURFACE OF THE PENETRATION. ALL DEBRIS (PAINT, RUST, LEAD, OTHER FLASHINGS, ETC.) MUST BE REMOVED FROM THE PENETRATION.

3 PITCH POCKET DETAIL  
SCALE: N.T.S.



4 CONDUIT SUPPORT  
DETAIL (AT STEEL PLATFORM)  
SCALE: N.T.S.

PREPARED BY:

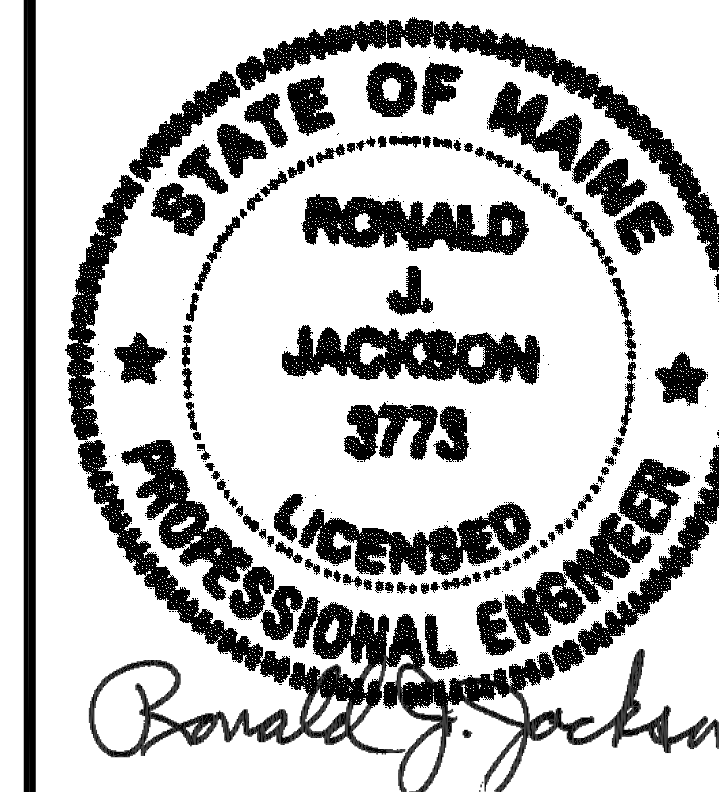
**NEXIUS**  
TRANSFORM YOUR BUSINESS...THROUGH WIRELESS

A&E OFFICE:  
7A LYBERTY WAY  
WESTFORD, MA 01886  
1 (972) 755-1882

CLIENT:

**verizon**

CELLCO PARTNERSHIP d/b/a  
VERIZON WIRELESS  
118 FLANDERS ROAD, 3RD FLOOR  
WESTBOROUGH, MA 01581



THIS DOCUMENT IS THE DESIGN PROPERTY AND COPYRIGHT OF NEXIUS AND FOR THE EXCLUSIVE USE BY THE TITLE CLIENT. DUPLICATION OR USE WITHOUT THE EXPRESS WRITTEN CONSENT OF THE CREATOR IS STRICTLY PROHIBITED.

DRAWING SCALES ARE INTENDED FOR 24"x36" SIZE PRINTED MEDIA ONLY. ALL OTHER PRINTED SIZES ARE DEEMED "NOT TO SCALE".

SUBMITTALS

REV	DATE	DESCRIPTION	BY
0	03/01/17	FOR REVIEW	JM
1	03/13/17	REVISED PER COMMENTS	JM
2	04/07/17	REVISED FOR CONSTRUCTION	JM

SITE INFO:

SITE NAME:  
**PORTLAND\_8\_ME**  
LOCATION CODE:  
**380405**  
SITE ADDRESS:  
**44 BEDFORD STREET  
PORTLAND, ME 04101  
CUMBERLAND COUNTY**

SHEET TITLE:

CONSTRUCTION DETAILS

NEXIUS PROJ. NO:  
**VZ11509**

SHEET NUMBER:

CHECKED BY:  
KB

**A-4**

CHECKED BY DATE:  
03/01/17