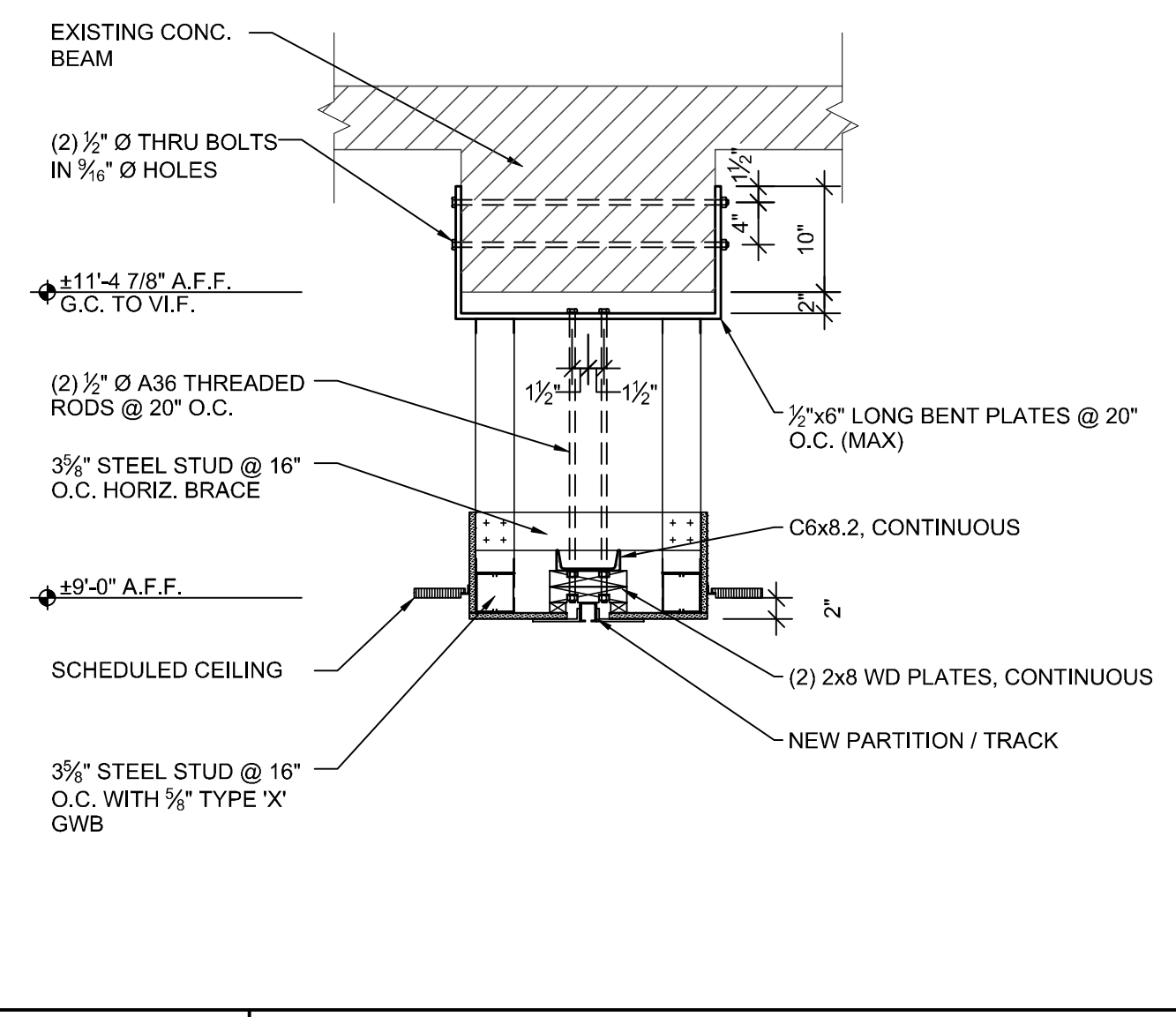
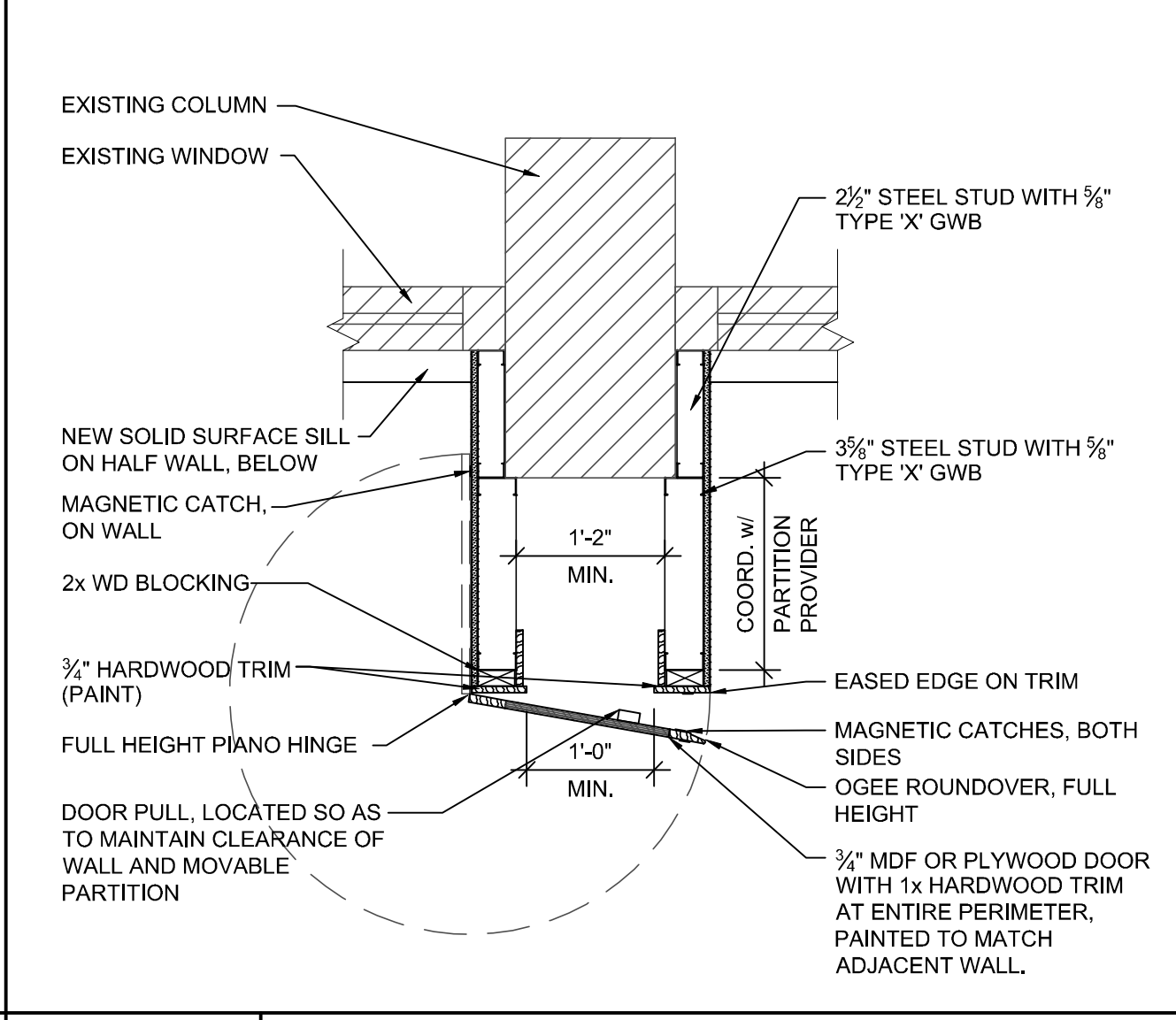


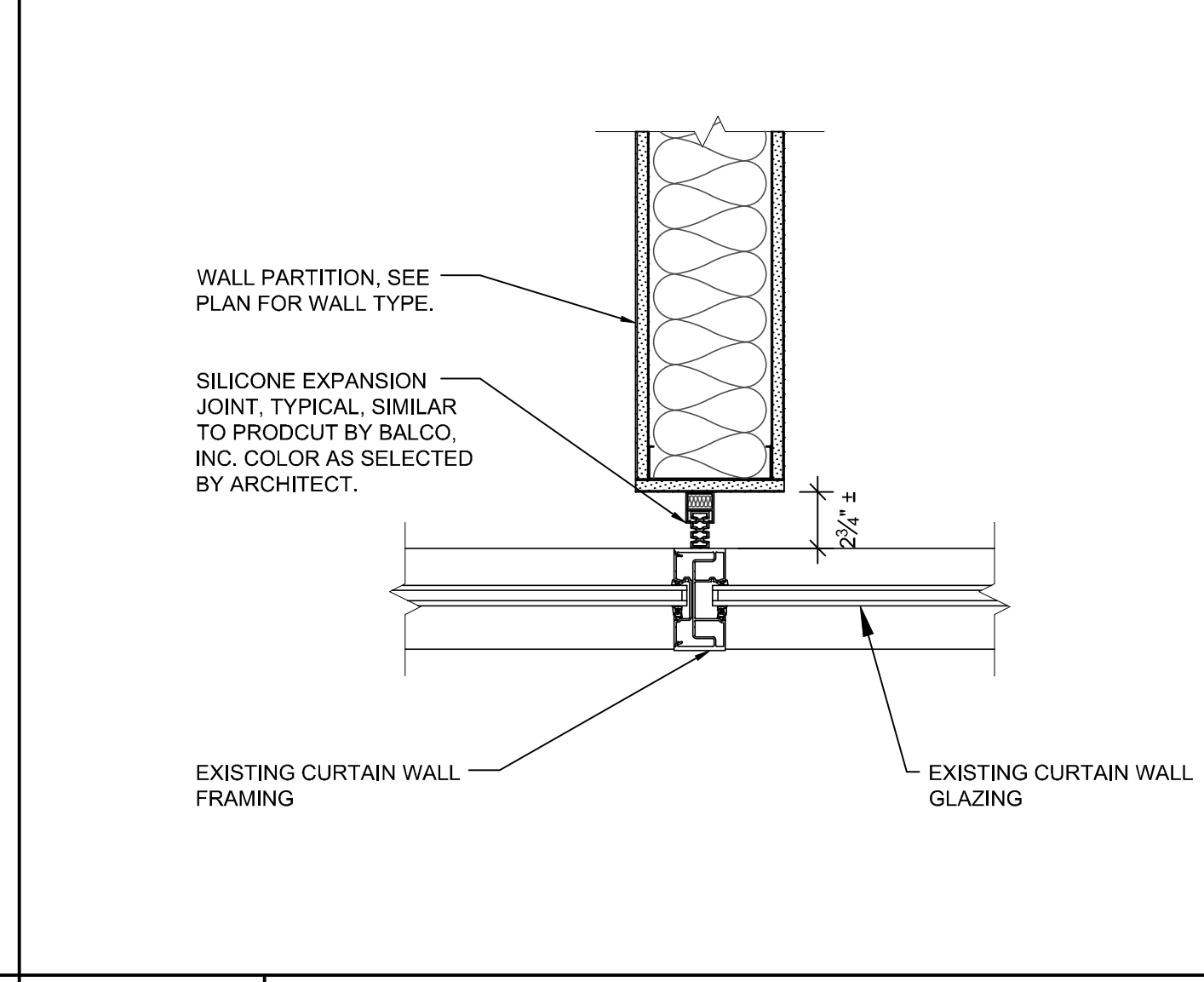
2/2/2017 11:04 AM T:\02 PROJECTS - MAINE\101-4200\412810 USM SCIENCE BLDG CONSULTATION\2 DESIGN\005\BUDG\USM SCIENCE BLDG\DWG\SHEETS\112810-4E502_MISC DETAILS.DWG RBG.DIBBO



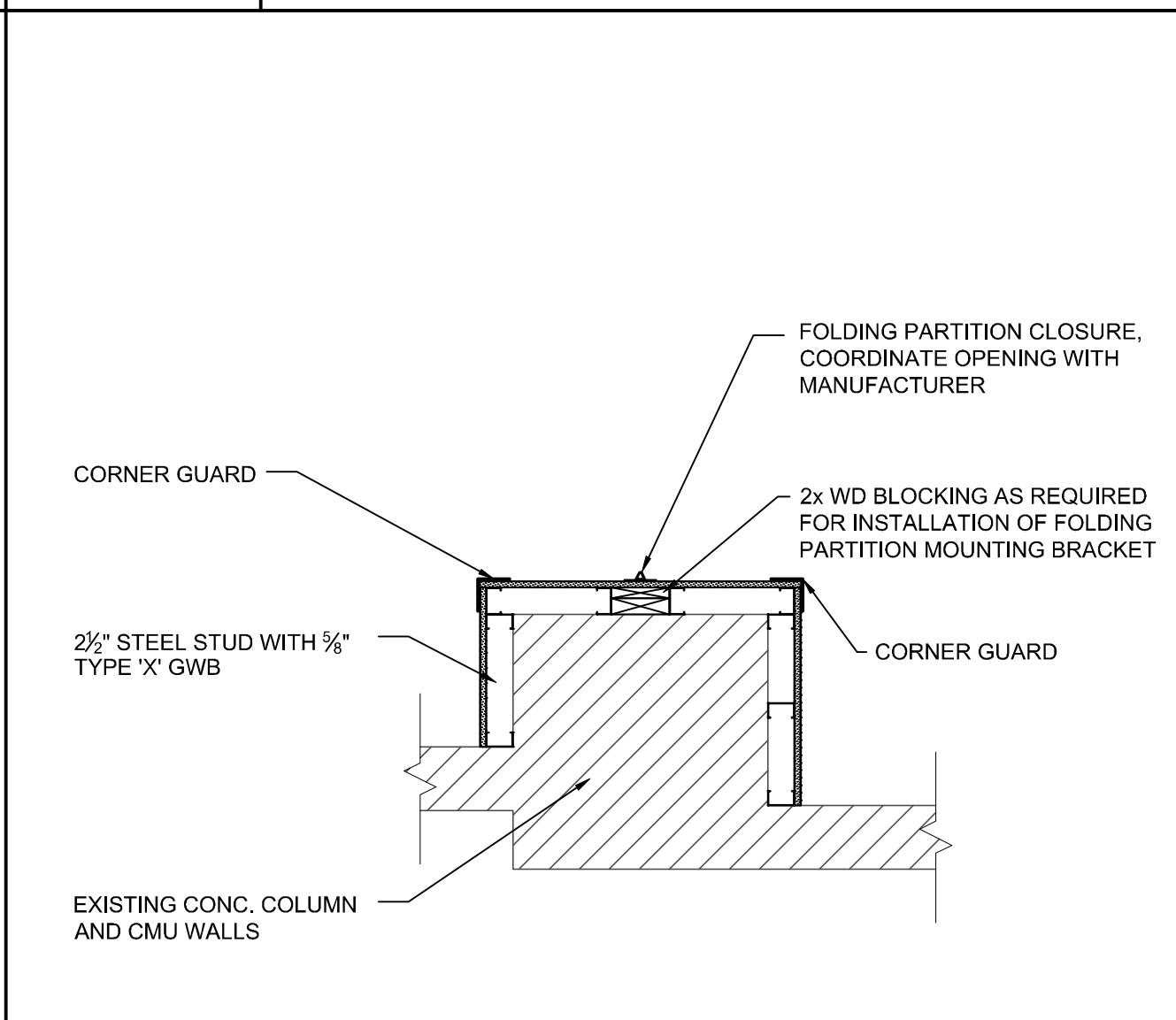
N8 OVERHEAD TRACK DETAIL
3/4" = 1'-0"



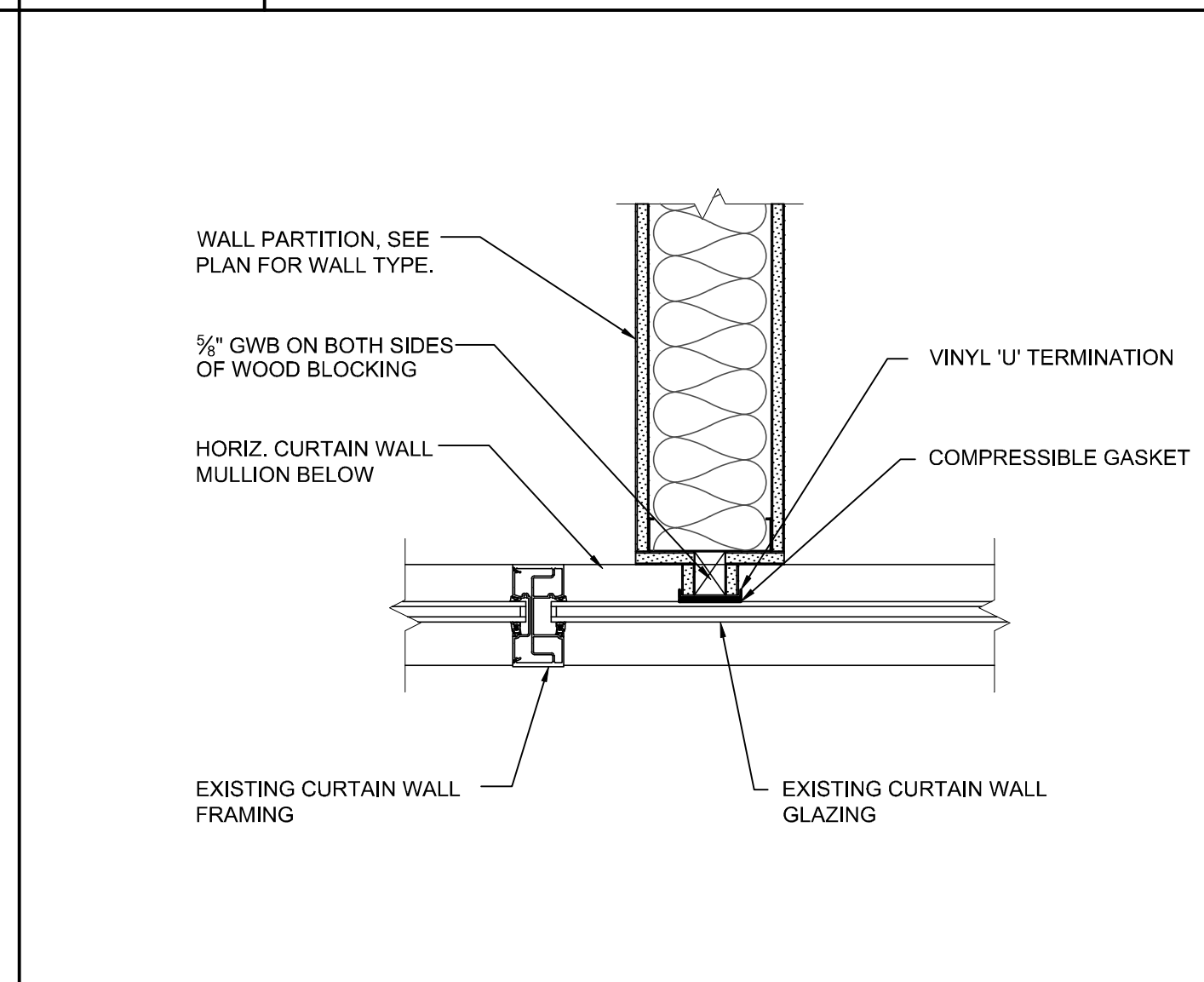
N11 PLAN DETAIL
3/4" = 1'-0"



N15 PLAN DETAIL
1 1/2" = 1'-0"



J11 PLAN DETAIL
3/4" = 1'-0"



E15 PLAN DETAIL
1 1/2" = 1'-0"

REV.	DESCRIPTION	DATE
0	BID DOCUMENTS	02-03-17



WBRC
ARCHITECTS • ENGINEERS
WWW.WBRCAE.COM
BANGOR, MAINE 05641-4511
PORTLAND, MAINE 207-236-4511
SARASOTA, FLORIDA 941-556-0075

USM SCIENCE BUILDING OFFICE RENOVATIONS
PROJECT: PORTLAND, ME
MISC DETAILS

SHEET TITLE: 4128.10 - AE502
WBRC CAD FILE: 4128.10 GRAPHIC SCALE: 0"
PROJECT No. 4128.10
SCALE: AS NOTED
PROJECT MANAGER: MEJ
DRAWN BY: RAD
CHECKED BY: MEJ
SHEET No. AE502