

N1 CLASSROOM A305 & A410

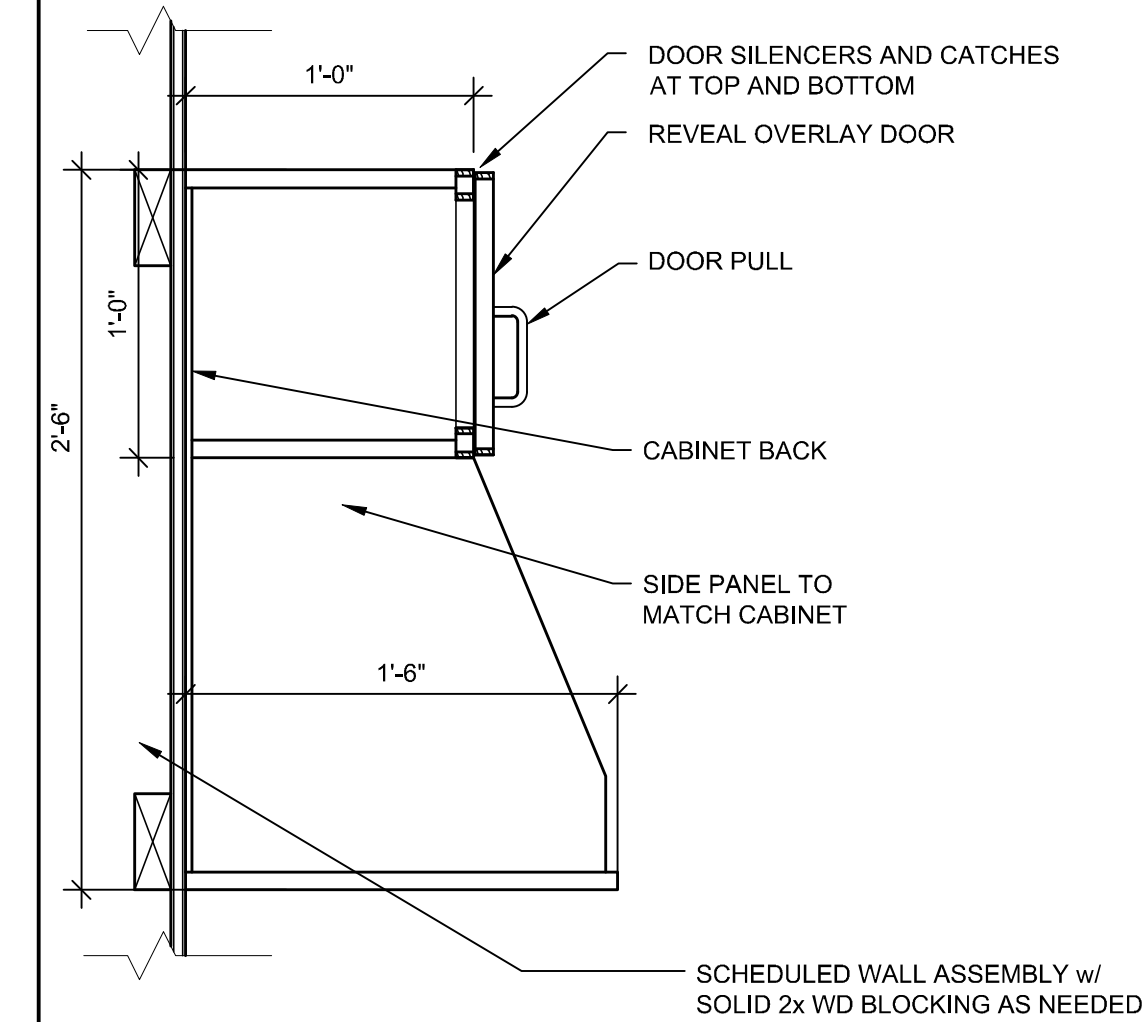
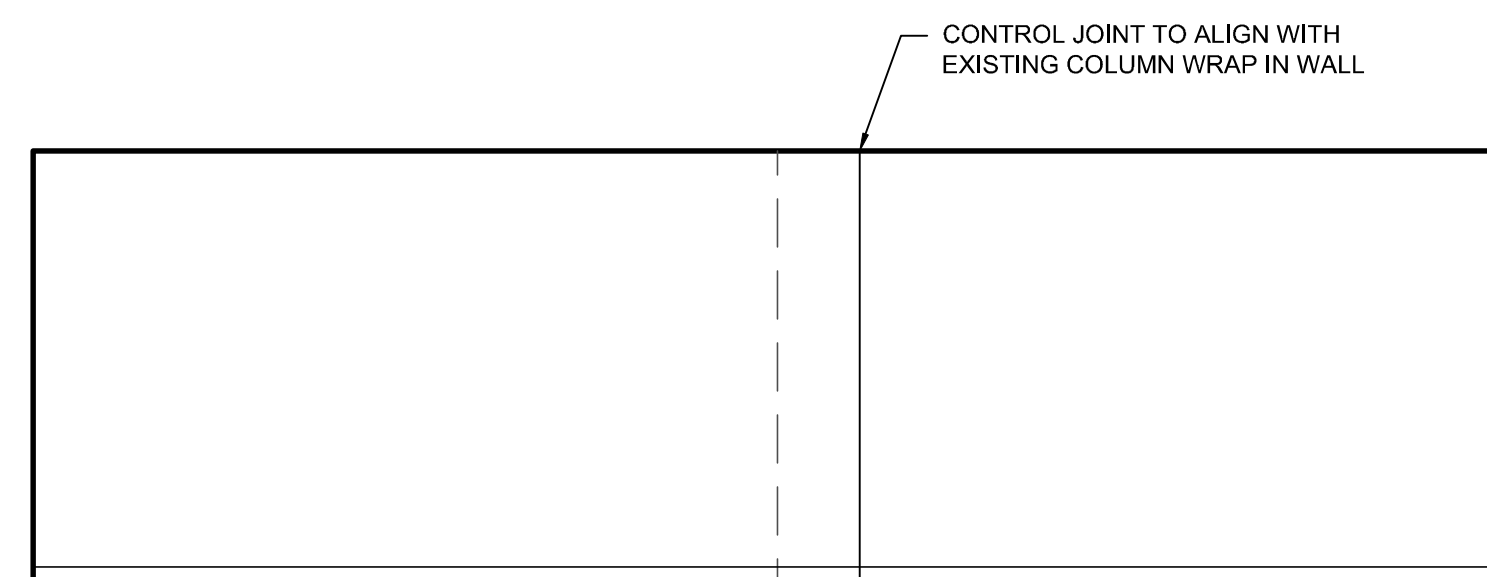
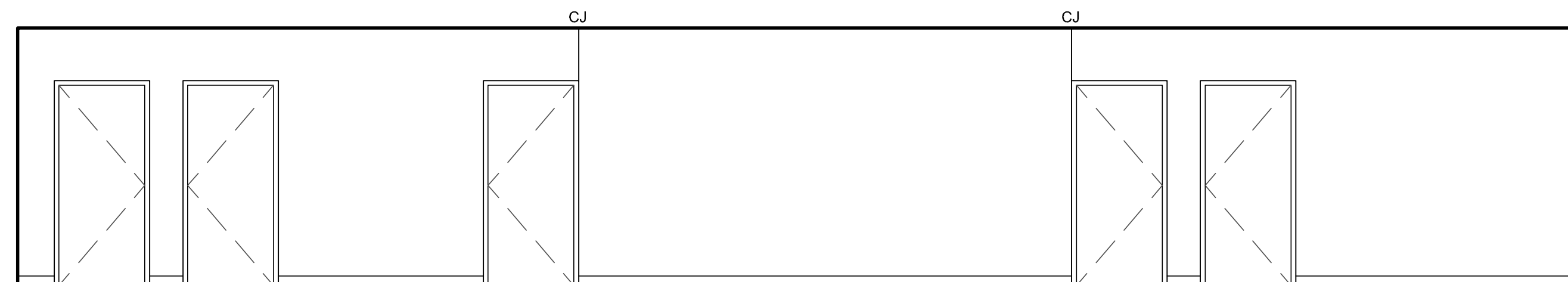
N4 COLLABORATION C575B

N11 WAITING C576

1/4" = 1'-0" AE103 & AE104

1/4" = 1'-0" AE105

1/4" = 1'-0" AE105



J1 CORR C575 AND COLLABORATION C575B CONTROL JOINT LAYOUT ELEVATION

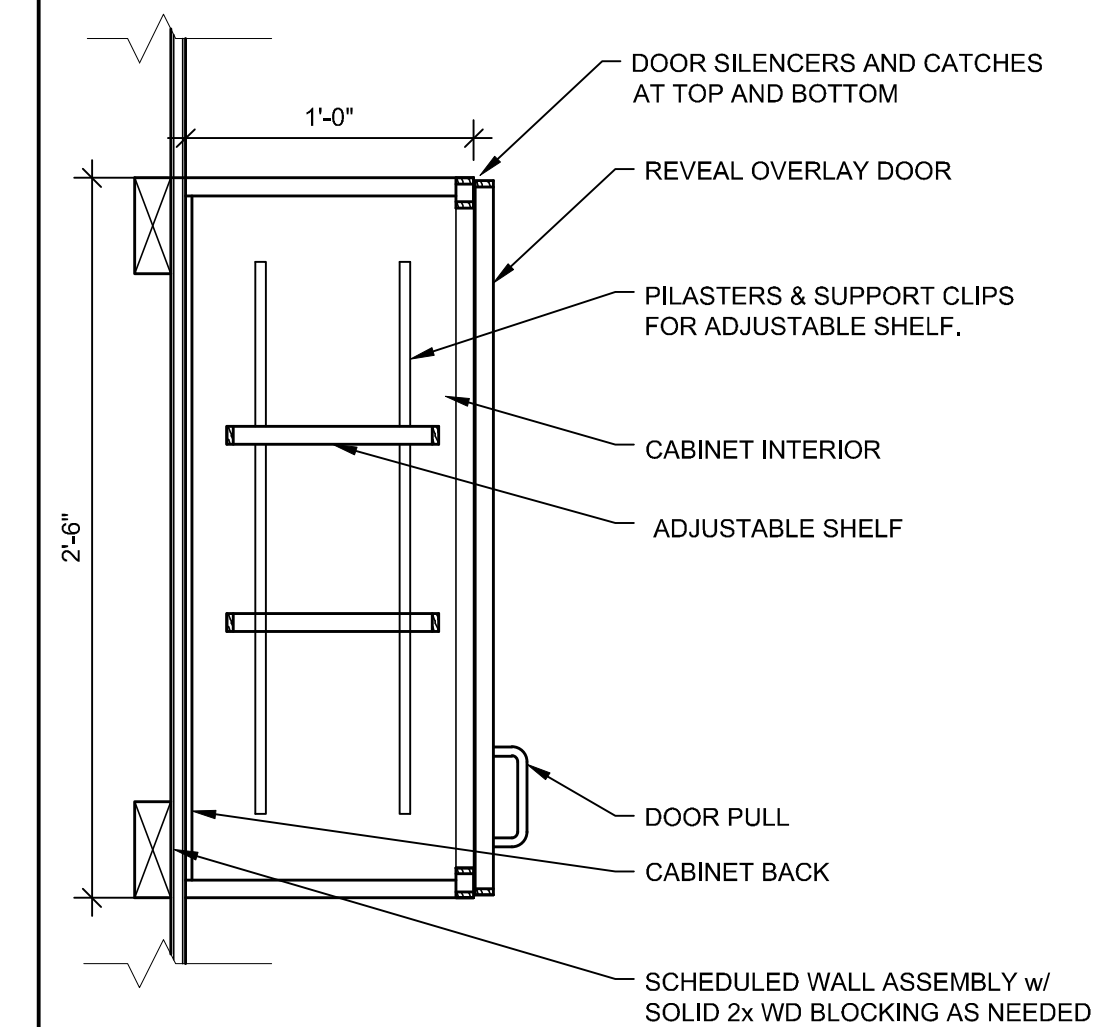
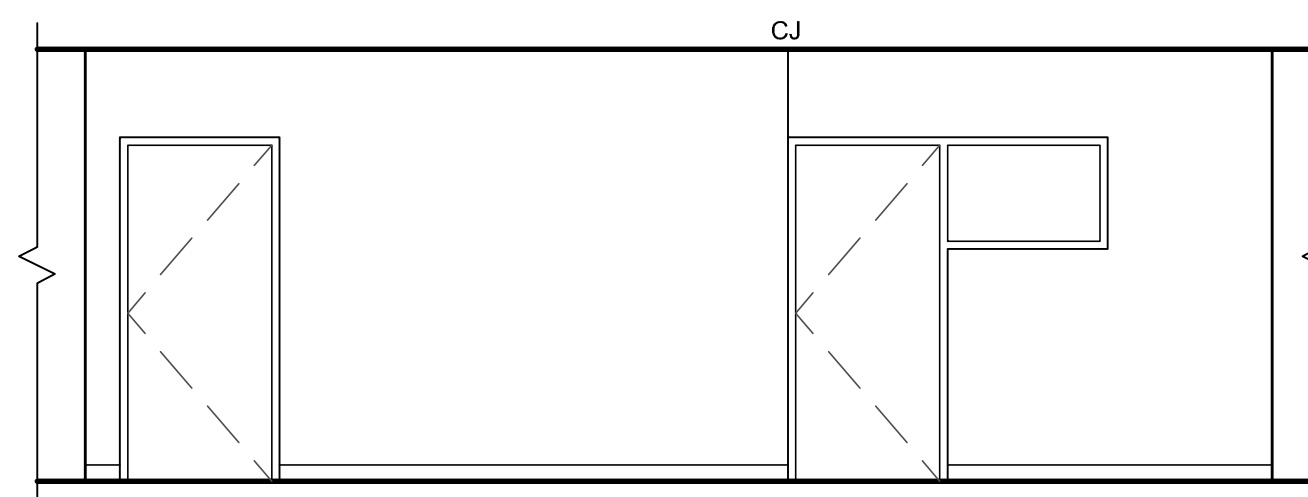
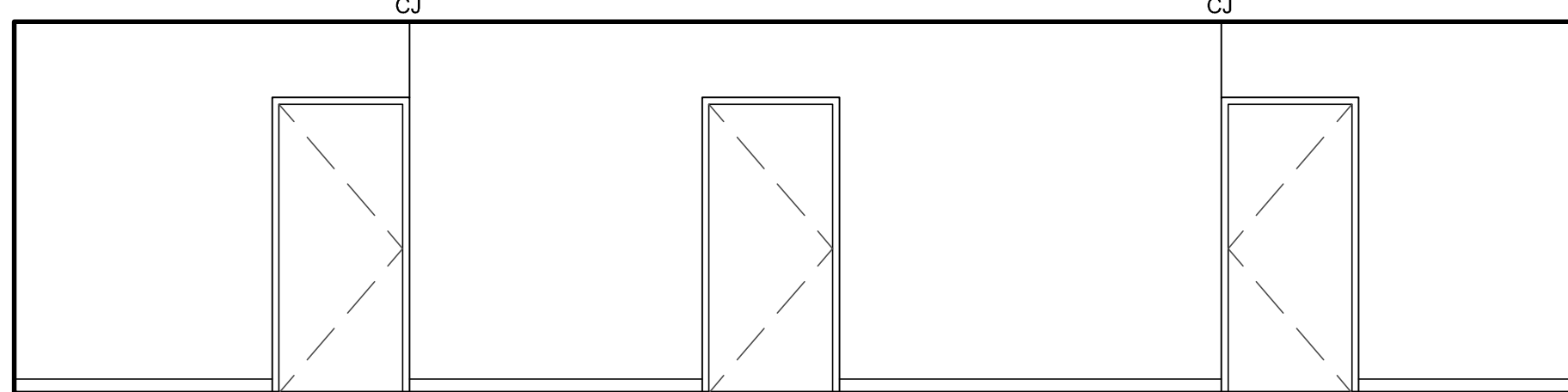
J9 ROOM C571B CONTROL JOINT LAYOUT ELEVATION

J15 WALL CABINET WITH SHELF

1/4" = 1'-0" AE401

1/4" = 1'-0" AE401

1 1/2" = 1'-0" --

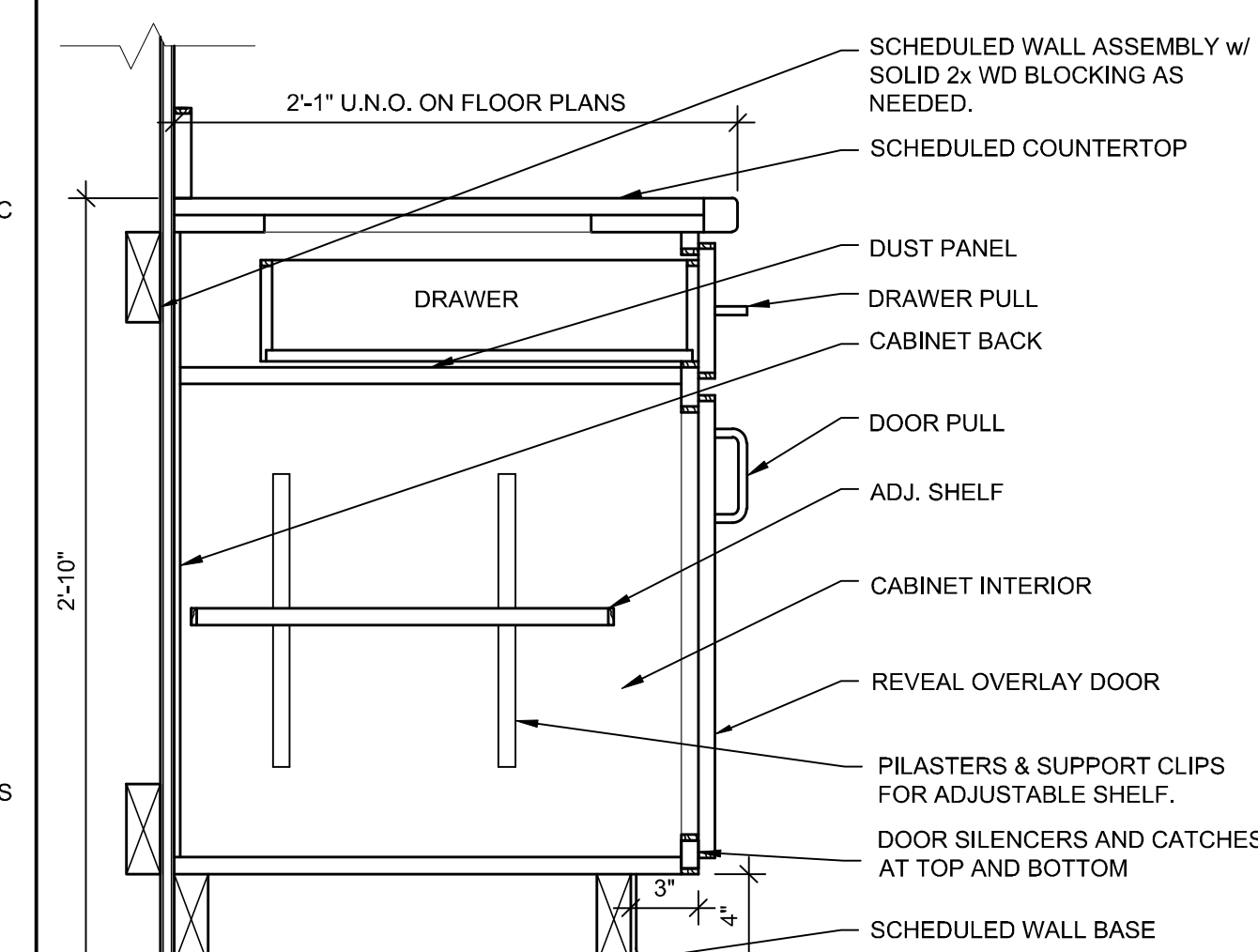
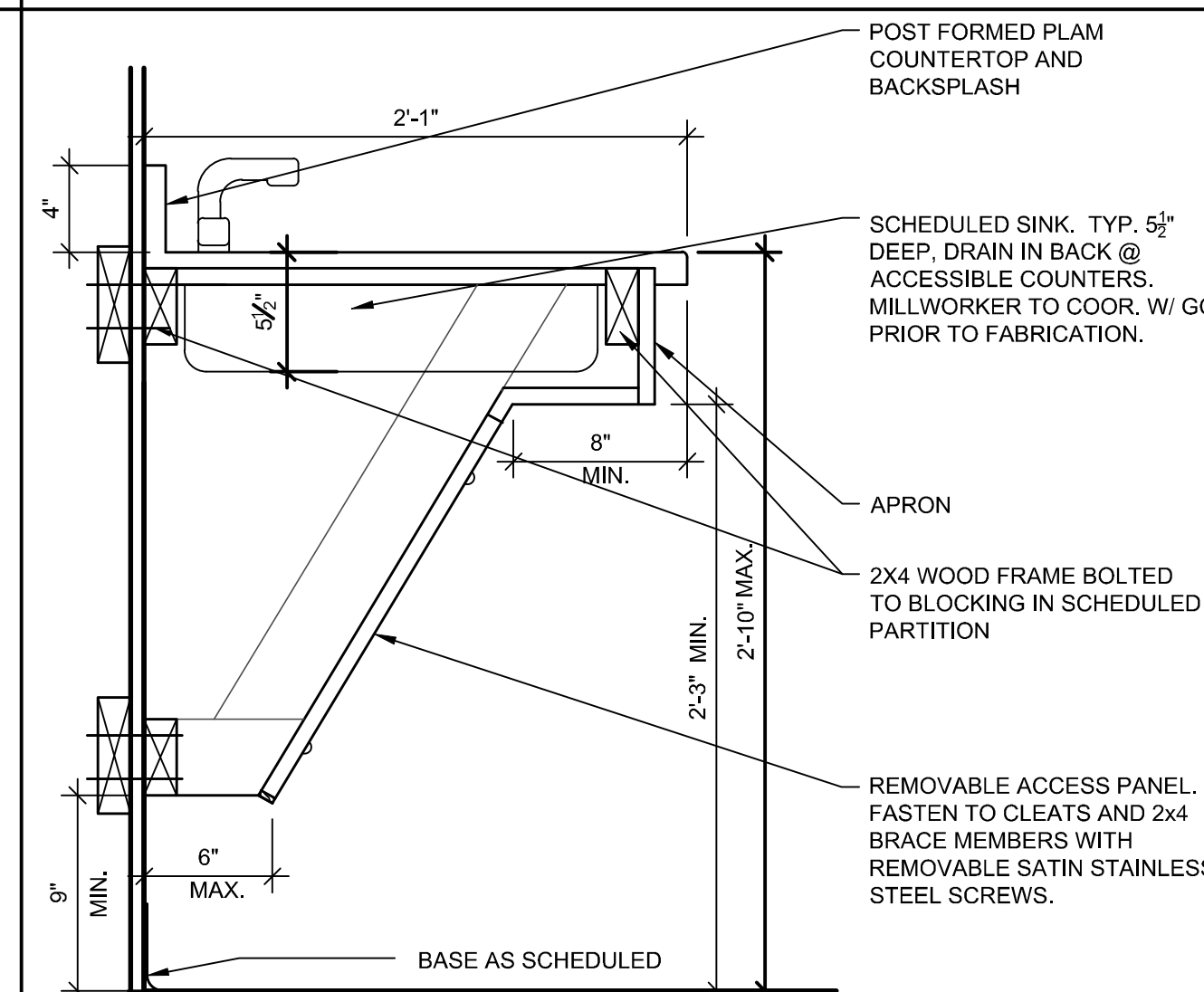
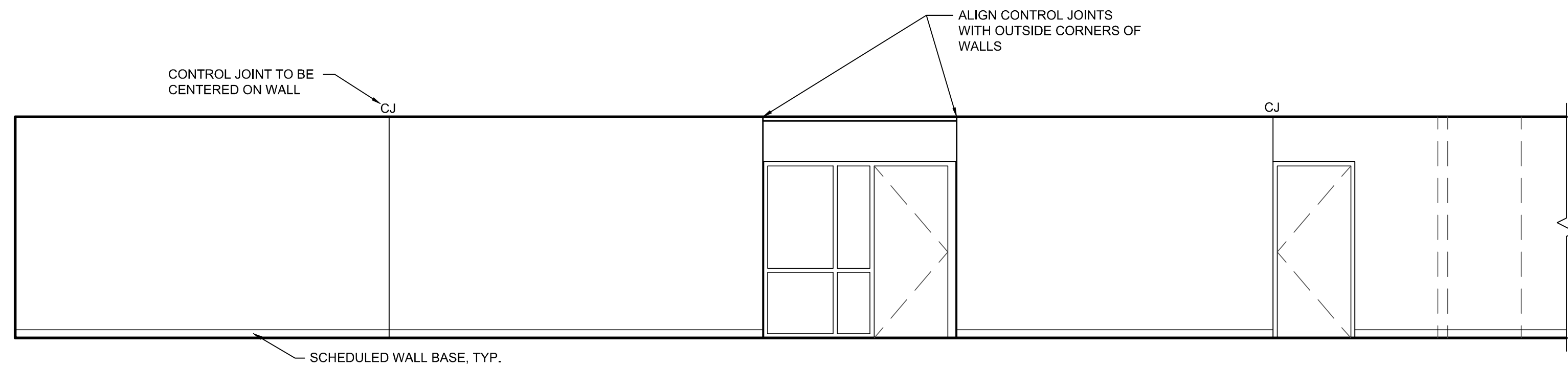


E1 WAITING C576 CONTROL JOINT LAYOUT ELEVATION

E7 CORR C575 CONTROL JOINT LAYOUT ELEVATION

1/4" = 1'-0" AE401

1/4" = 1'-0" AE401



A1 CORR C552B CONTROL JOINT LAYOUT ELEVATION

A11 ADA SINK SKIRT

A15 BASE AND WALL CABINET

1/4" = 1'-0" AE401

1 1/2" = 1'-0" --

1 1/2" = 1'-0" --

2/2/2017 11:04 AM T:\02 PROJECTS - MAINE\101-4200\4128.10 USM SCIENCE BLDG CONSULTATION\2 DESIGN\WORKS\BUDG\USM SCIENCE BLDG\DWG\SHEETS\4128.10-AE201 INTERIOR ELEVATIONS.DWG BOB DUROIS

REV.	DESCRIPTION	DATE
0	BID DOCUMENTS	02-03-17



WBRC
ARCHITECTS • ENGINEERS
WWW.WBRC.AE.COM
BANGOR, MAINE 04401-4511
PORTLAND, MAINE 2012-264511
SARASOTA, FLORIDA 34237-5607

USM SCIENCE BUILDING OFFICE RENOVATIONS
PROJECT: PORTLAND, ME
INTERIOR ELEVATIONS

SHEET TITLE: 4128.10 - AE201
WBRC CAD FILE: 4128.10 GRAPHIC SCALE: 0"
SCALE: AS NOTED
PROJECT MANAGER: MEJ
DRAWN BY: JLR/RAD
CHECKED BY: MEJ
SHEET No. AE201