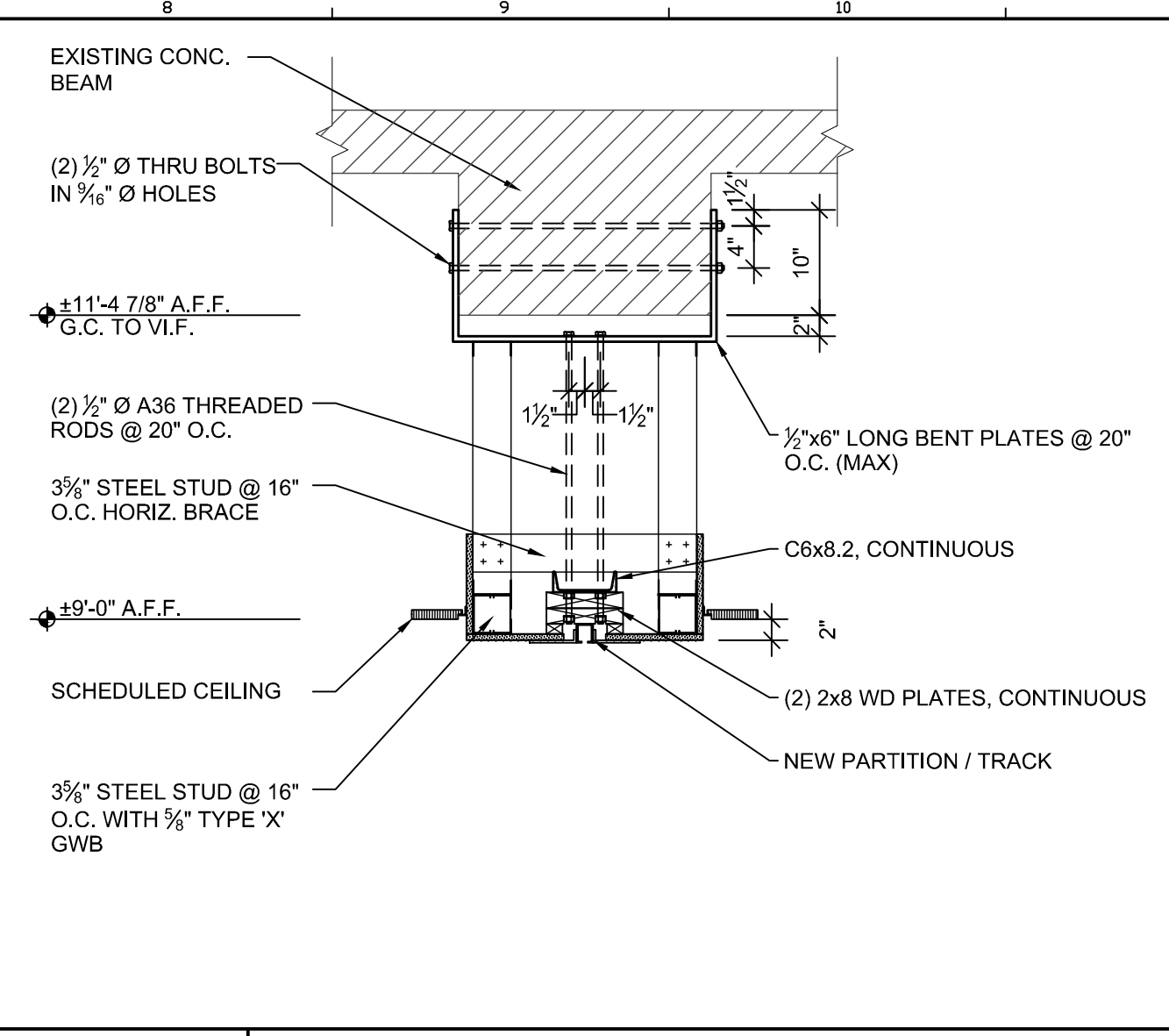
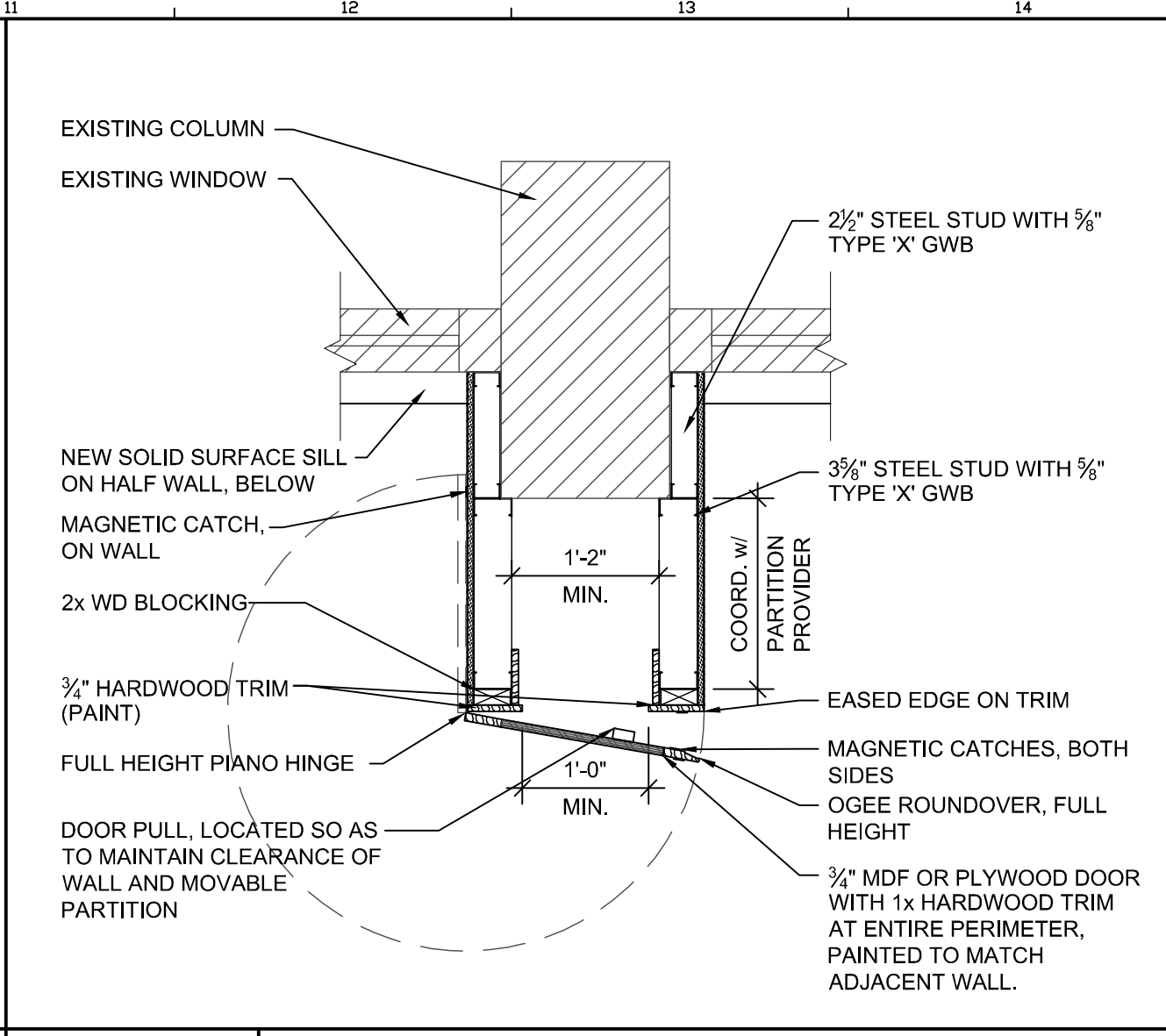


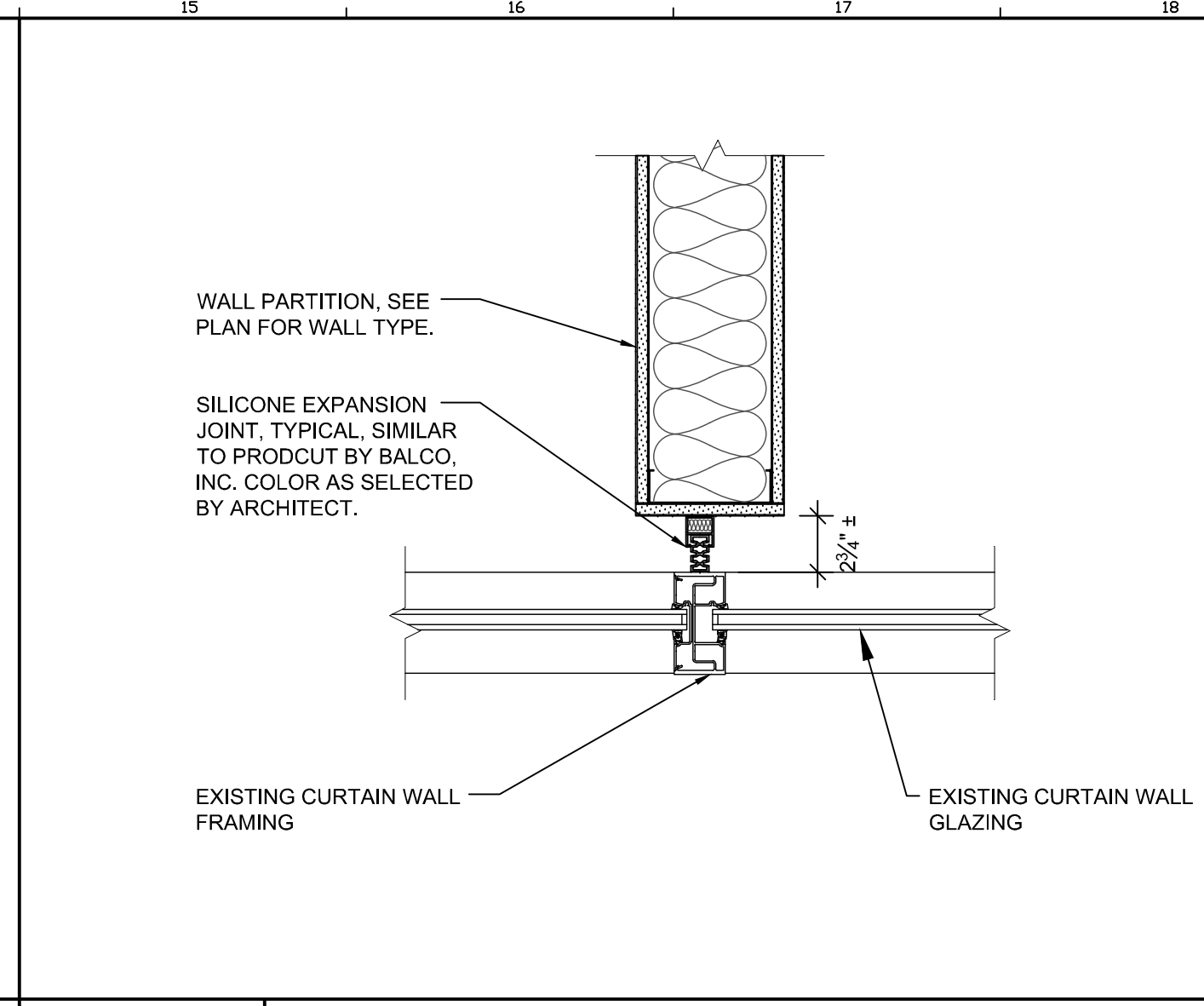
1/12/2017 2:35 PM T:\02 PROJECTS - MAINE\101-4200\112810 USM SCIENCE BLDG CONSOLIDATION\2 DESIGN\WORKS\B\03 USM SCIENCE BUILDING SHEETS\1128.10-AE502 MISC DETAILS.DWG BOB DUBOIS



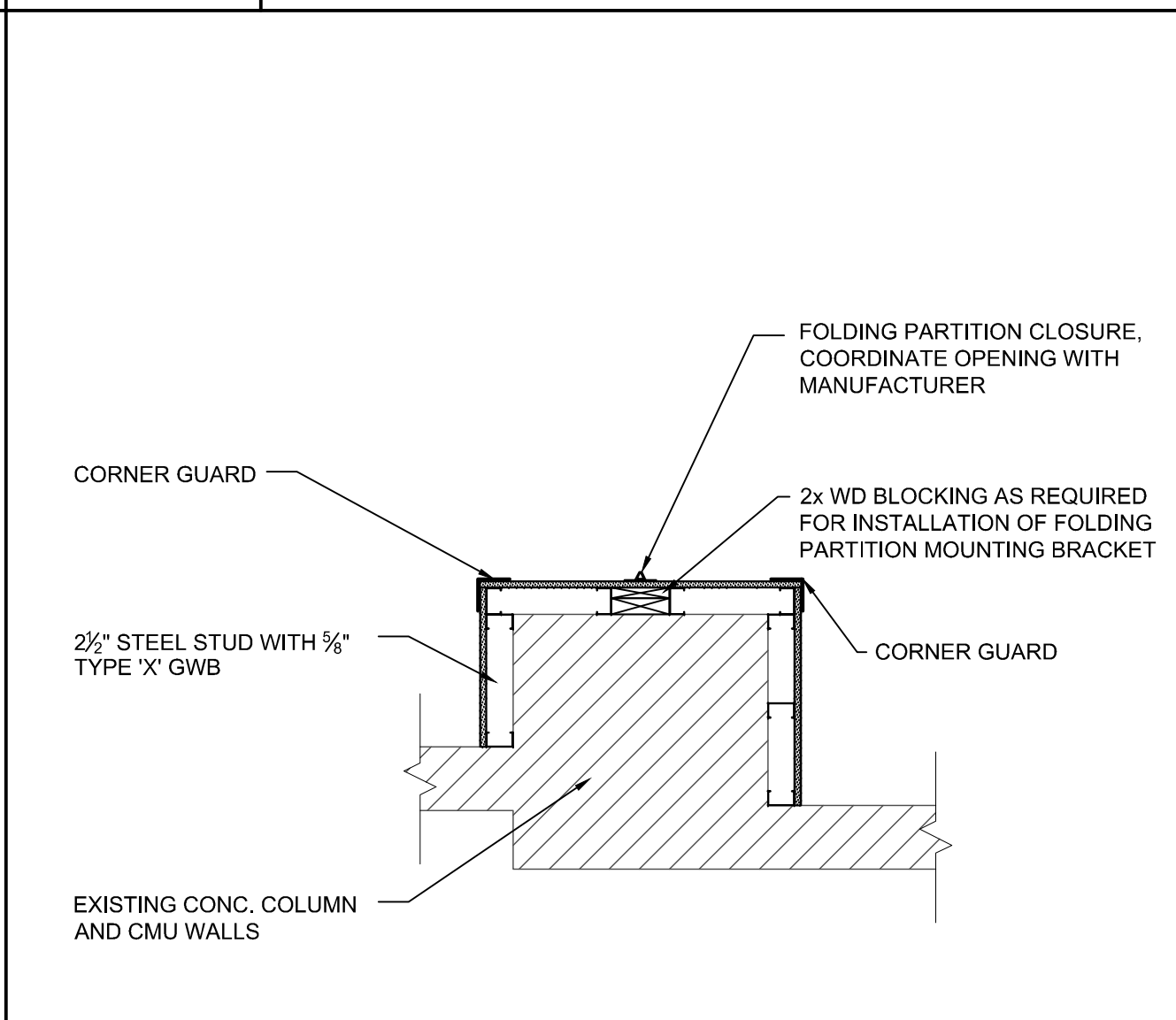
N8 OVERHEAD TRACK DETAIL
3/4" = 1'-0"



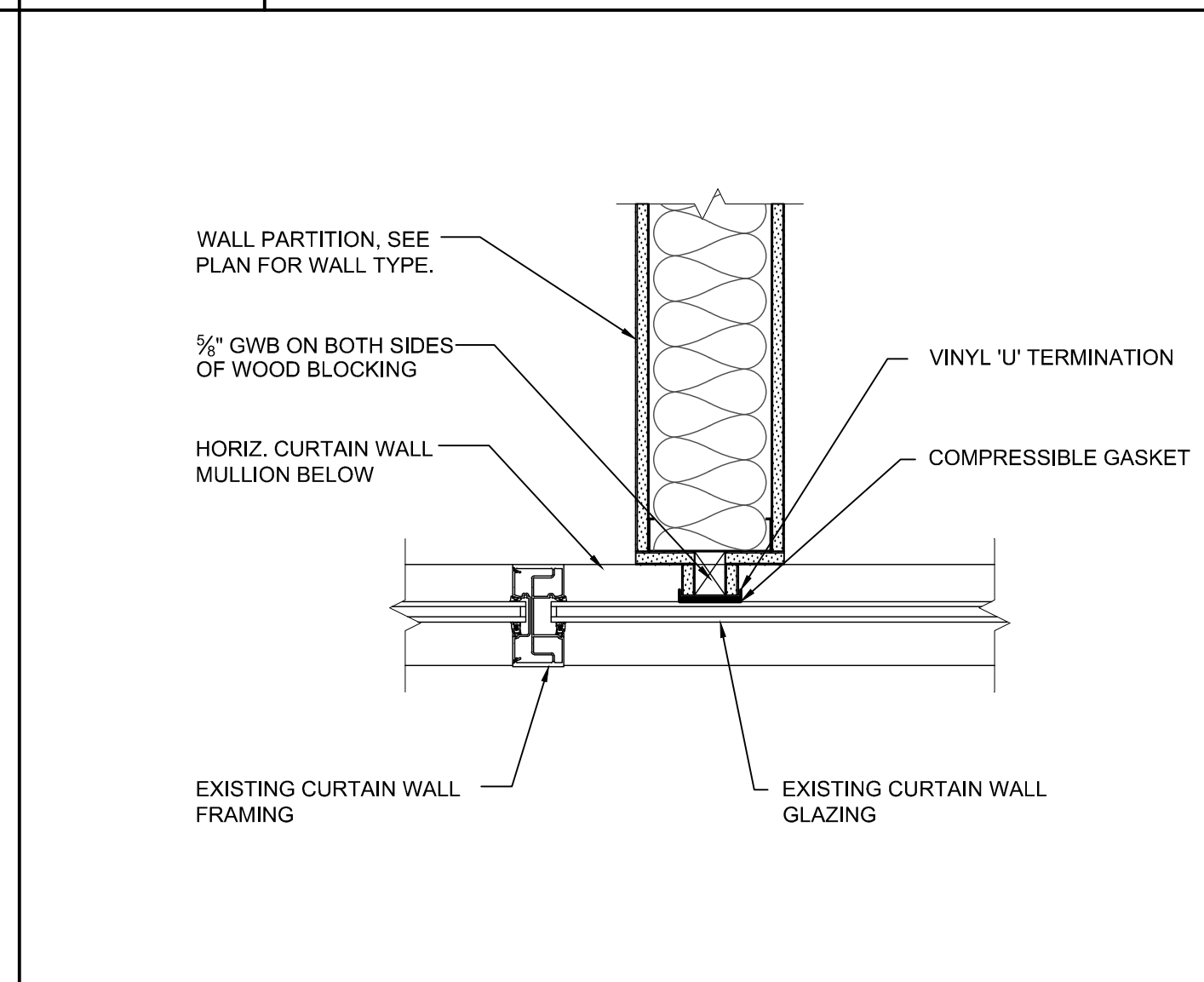
N11 PLAN DETAIL
3/4" = 1'-0"



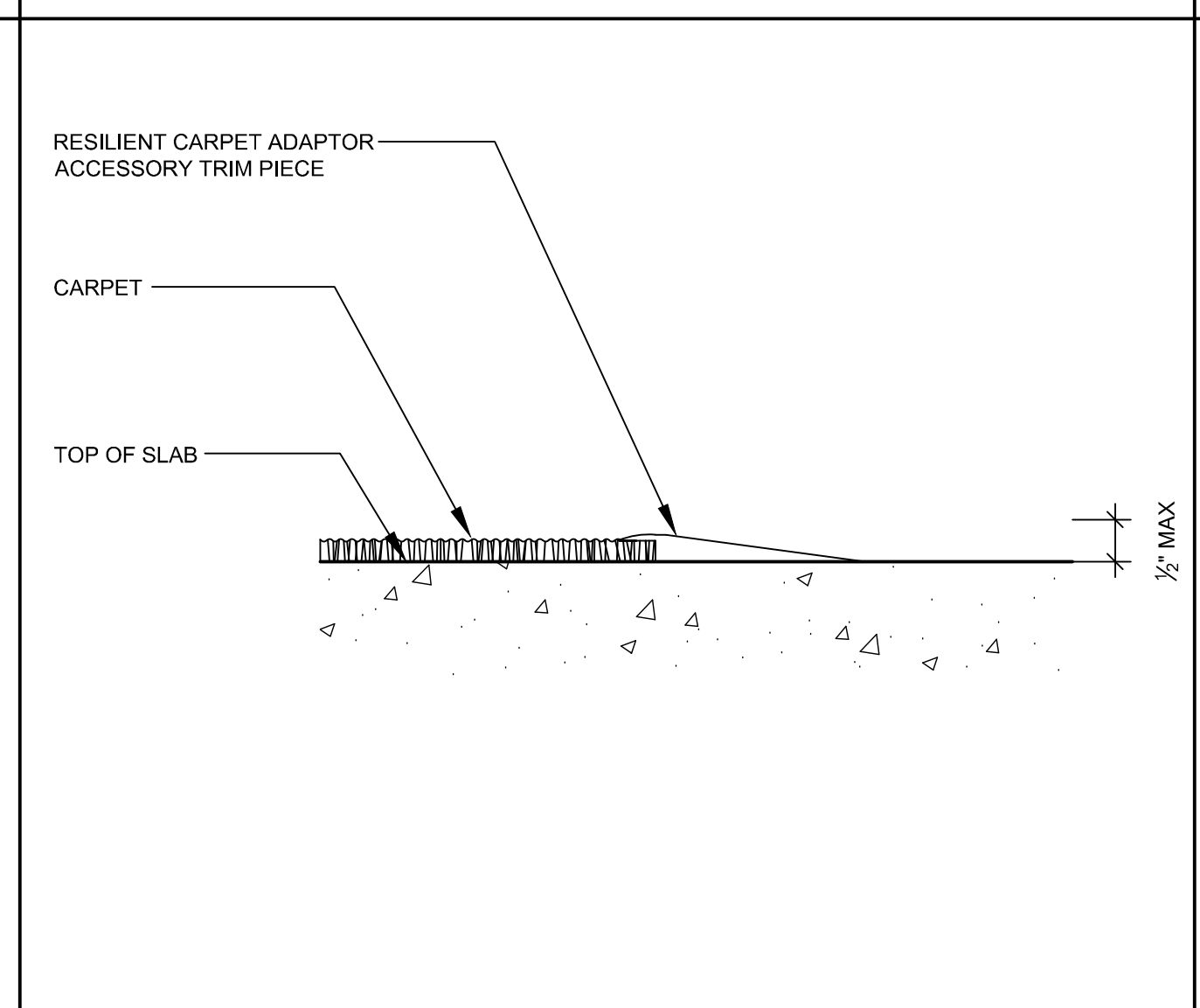
N15 PLAN DETAIL
1 1/2" = 1'-0"



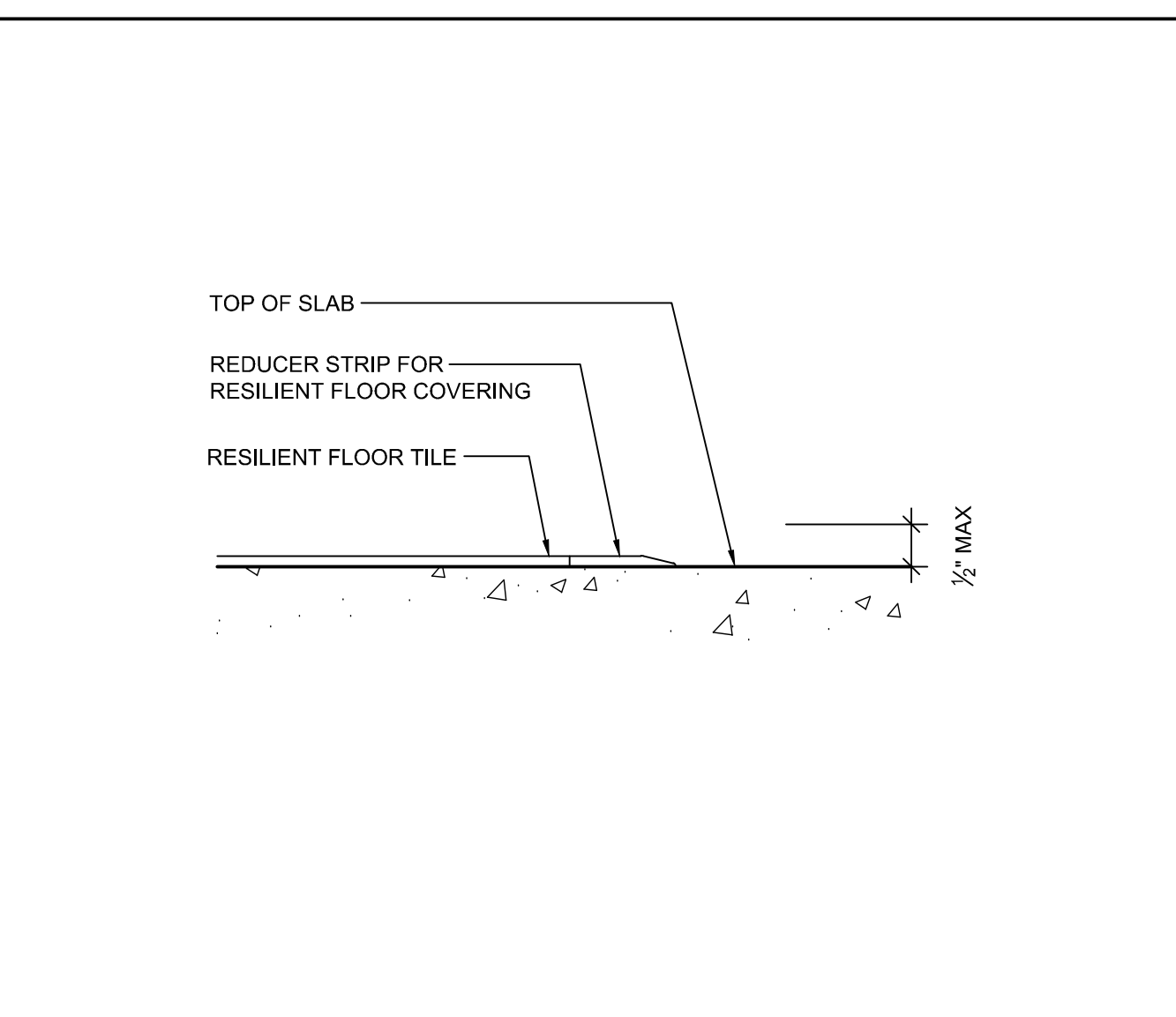
J11 PLAN DETAIL
3/4" = 1'-0"



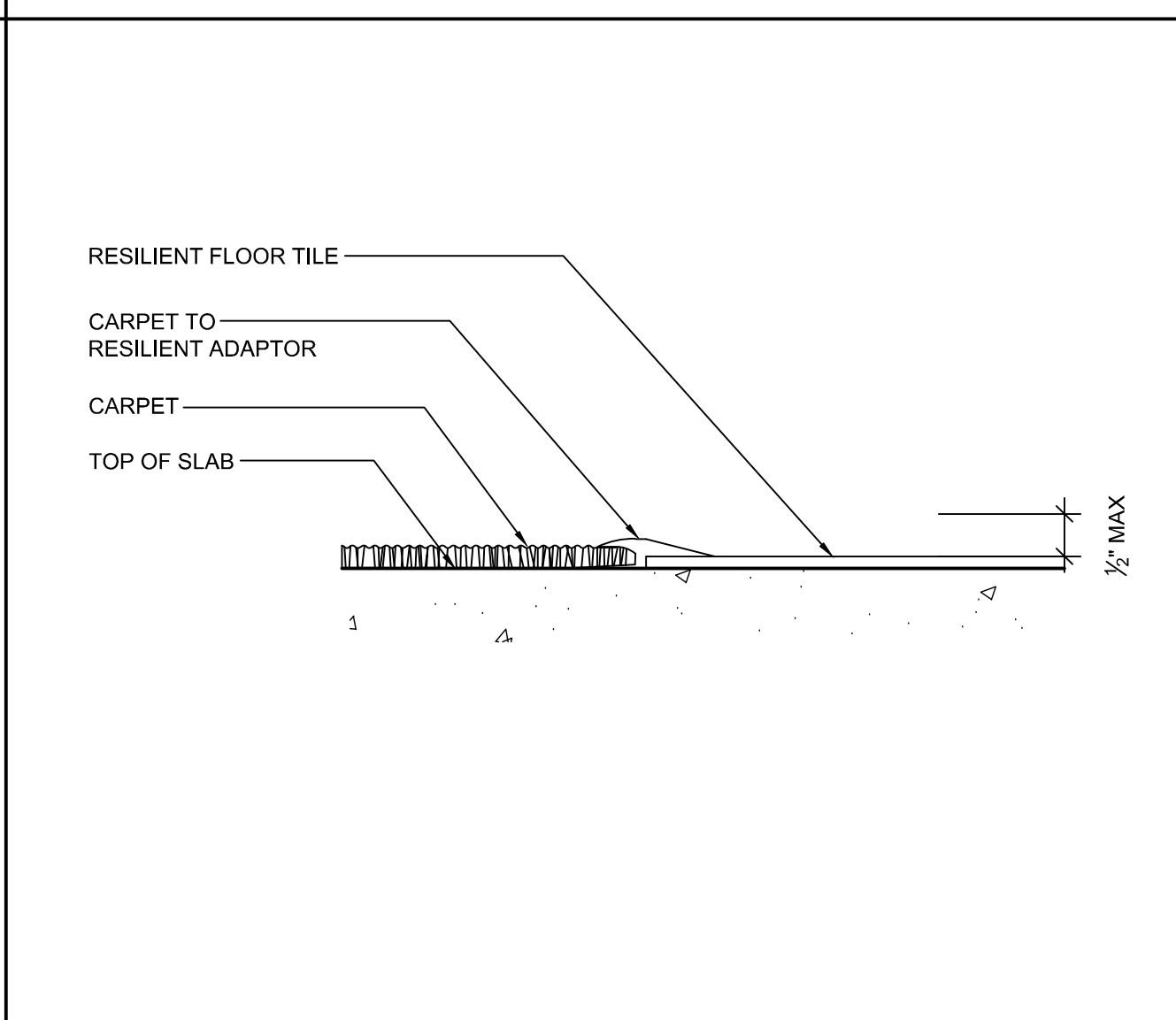
E15 PLAN DETAIL
1 1/2" = 1'-0"



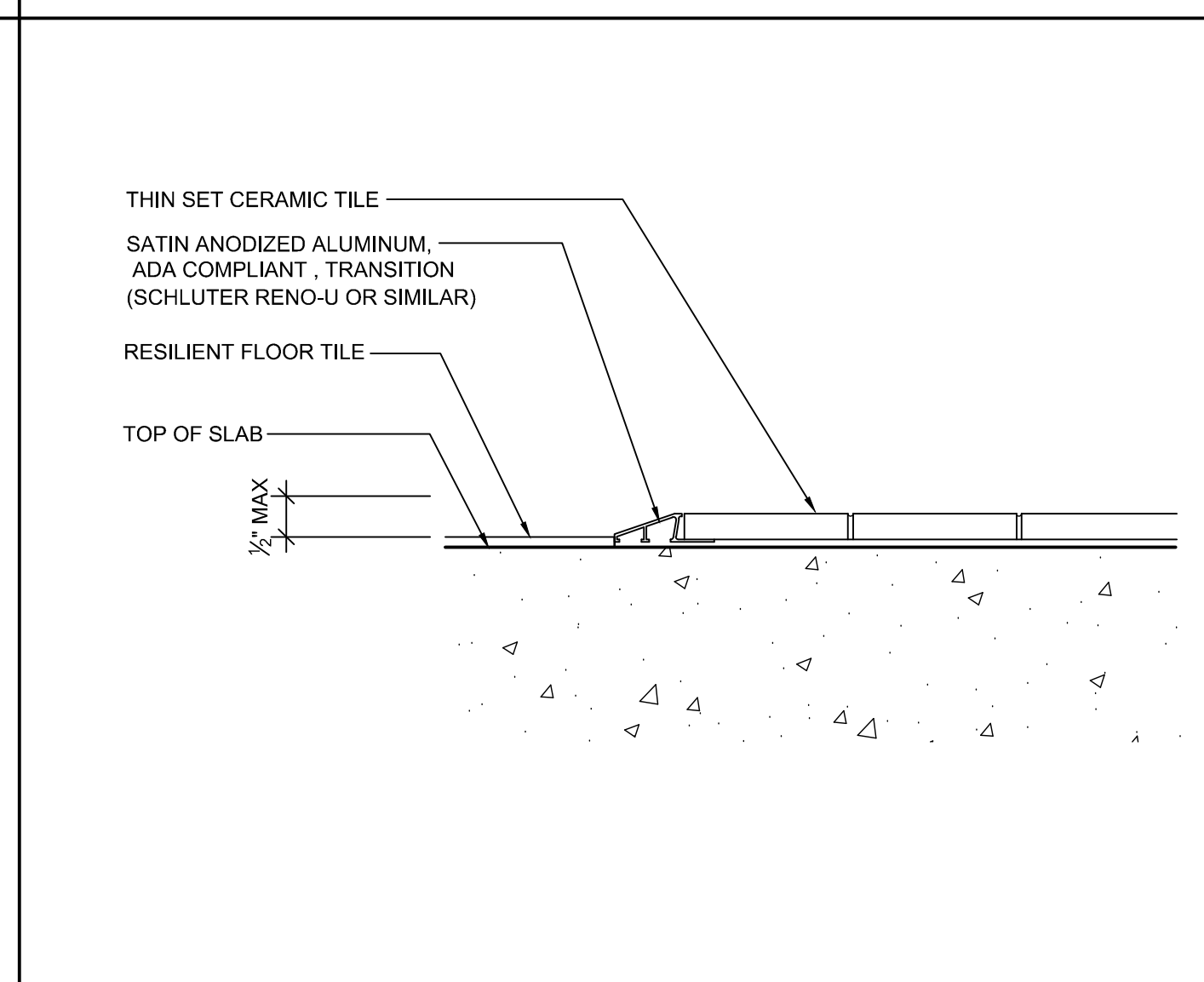
A4 CARPET TO CONC FLOOR TRANSITION
6" = 1'-0"



E8 VCT TO CONC FLOOR TRANSITION
6" = 1'-0"

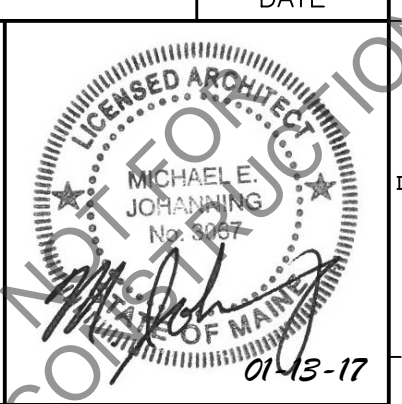



A4 CARPET TO VCT FLOOR TRANSITION
6" = 1'-0"



A4 VCT TO CT FLOOR TRANSITION
6" = 1'-0"

REV.	DESCRIPTION	DATE
0	BID DOCUMENTS	01-13-17





WBRC
ARCHITECTS • ENGINEERS

WWW.WBRC.COM
BANGOR, MAINE 207-647-4511
PORTLAND, MAINE 207-628-4511
SARASOTA, FLORIDA 941-5560757

USM SCIENCE BUILDING OFFICE RENOVATIONS

PROJECT: PORTLAND, ME

MISC DETAILS

SHEET TITLE:	4128.10 - AE502
WBRC CAD FILE:	4128.10
PROJECT No.:	GRAPHIC SCALE: 0"
SCALE:	AS NOTED
PROJECT MANAGER:	MEJ
DRAWN BY:	RAD
CHECKED BY:	MEJ

SHEET No. **AE502**