

N1 CLASSROOM A305 & A410

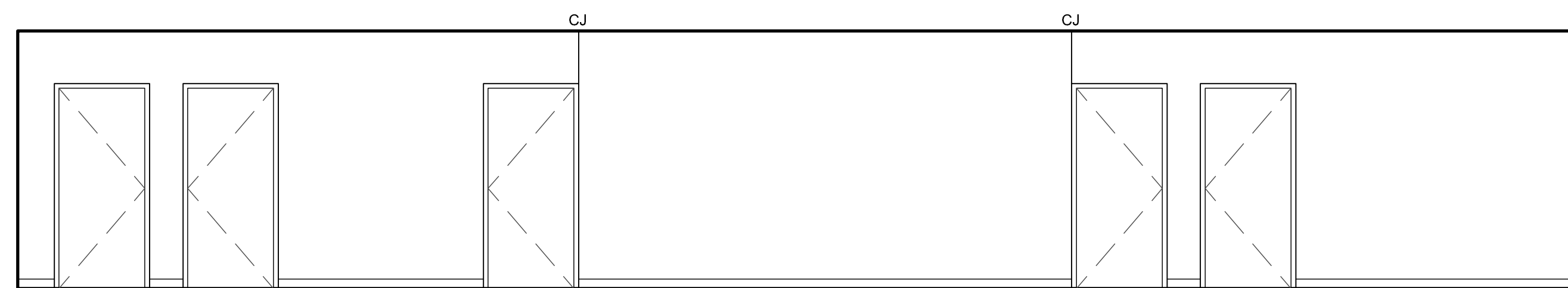
1/4" = 1'-0"  
AE103 & AE104

N4 COLLABORATION C575B

1/4" = 1'-0"  
AE105

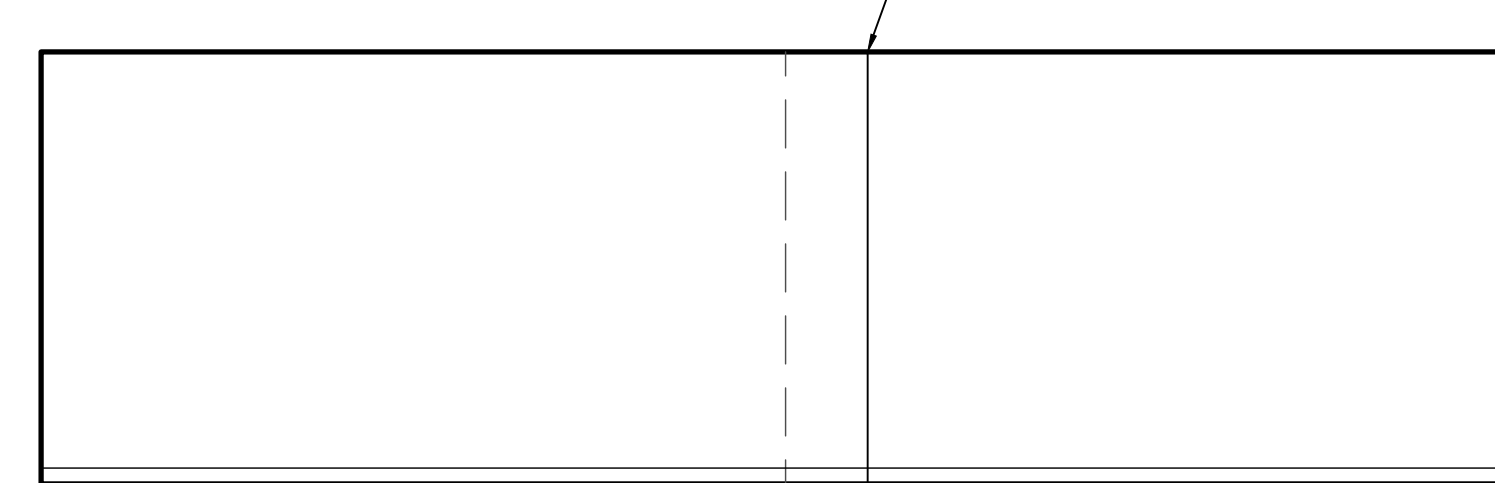
N11 WAITING C576

1/4" = 1'-0"  
AE105



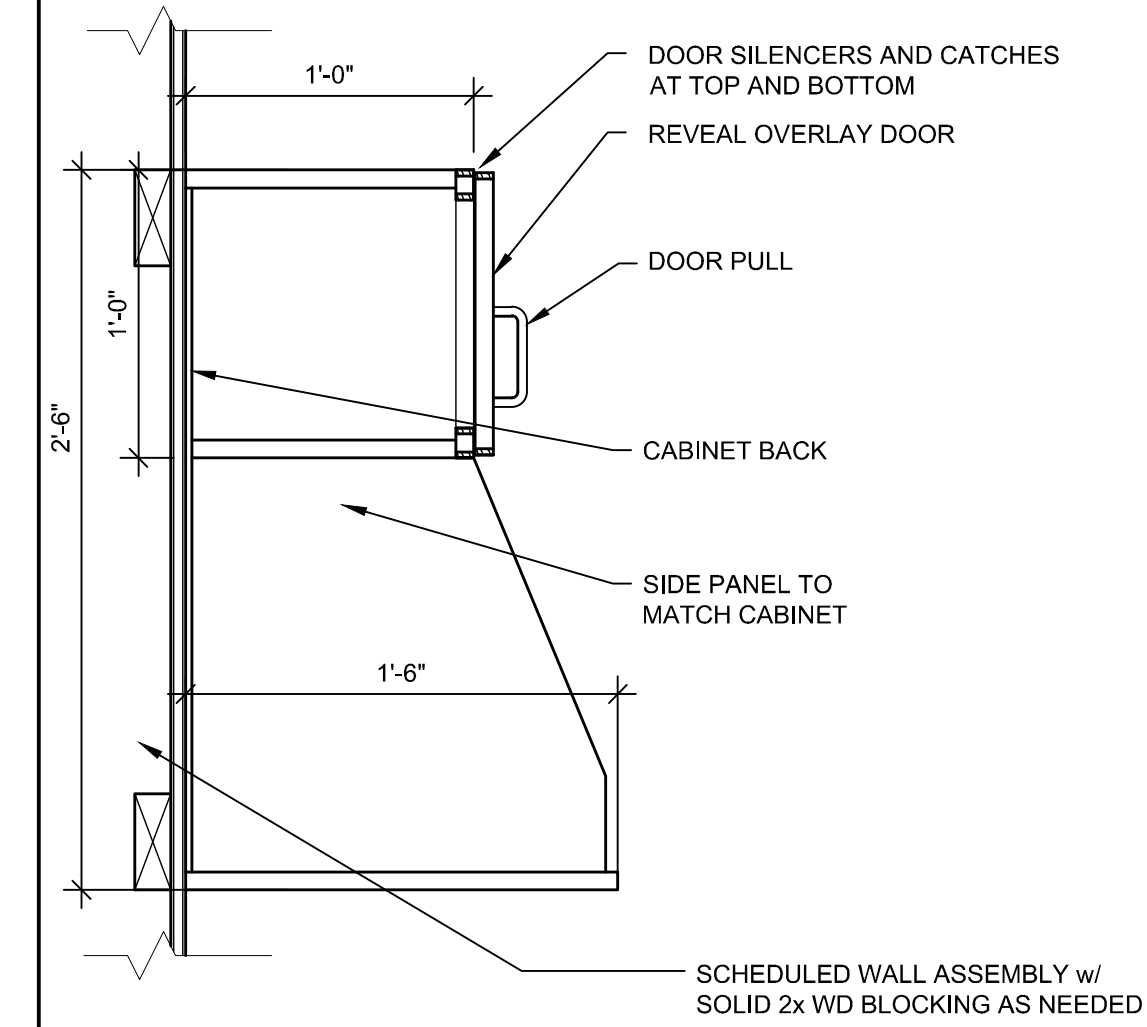
J1 CORR C575 AND COLLABORATION C575B CONTROL JOINT LAYOUT ELEVATION

1/4" = 1'-0"  
AE401



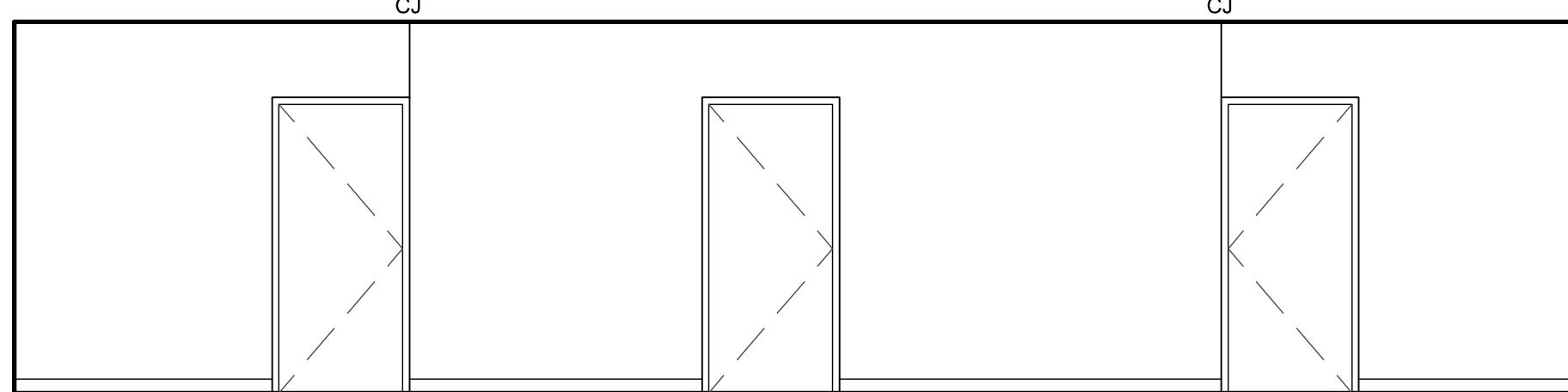
J9 ROOM C571B CONTROL JOINT LAYOUT ELEVATION

1/4" = 1'-0"  
AE401



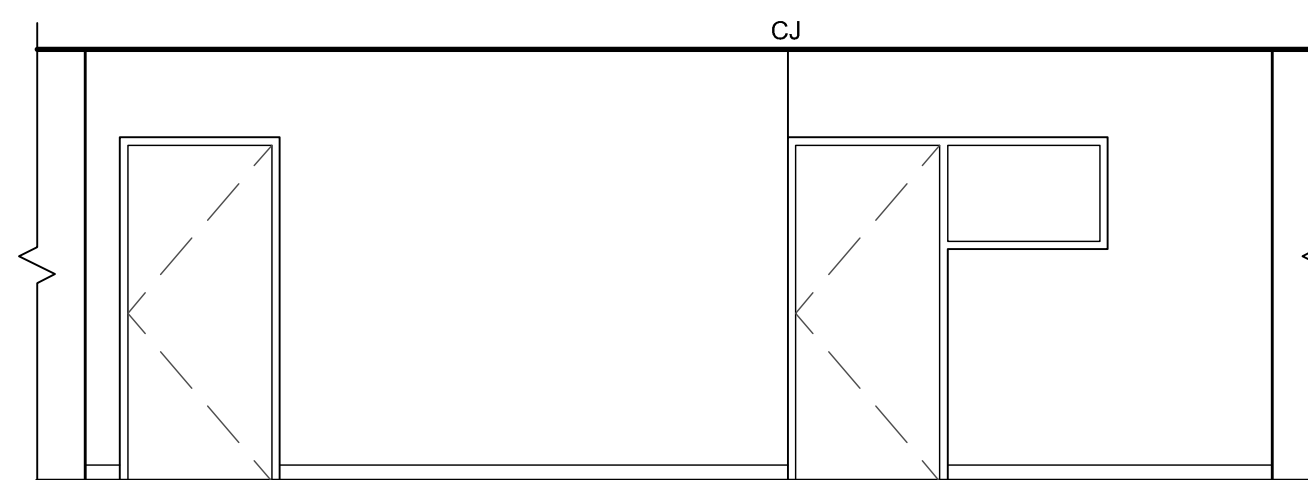
J15 WALL CABINET WITH SHELF

1 1/2" = 1'-0"  
--



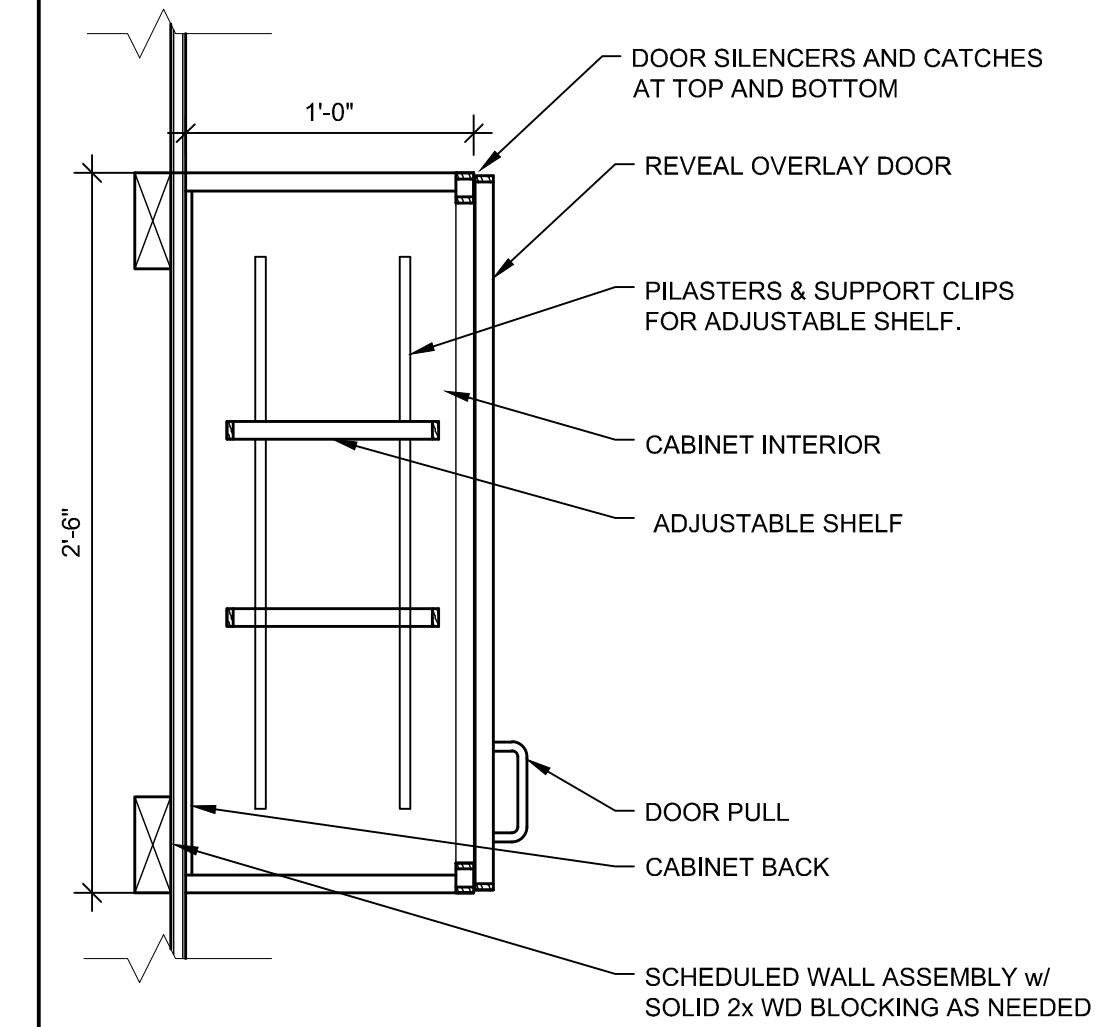
E1 WAITING C576 CONTROL JOINT LAYOUT ELEVATION

1/4" = 1'-0"  
AE401



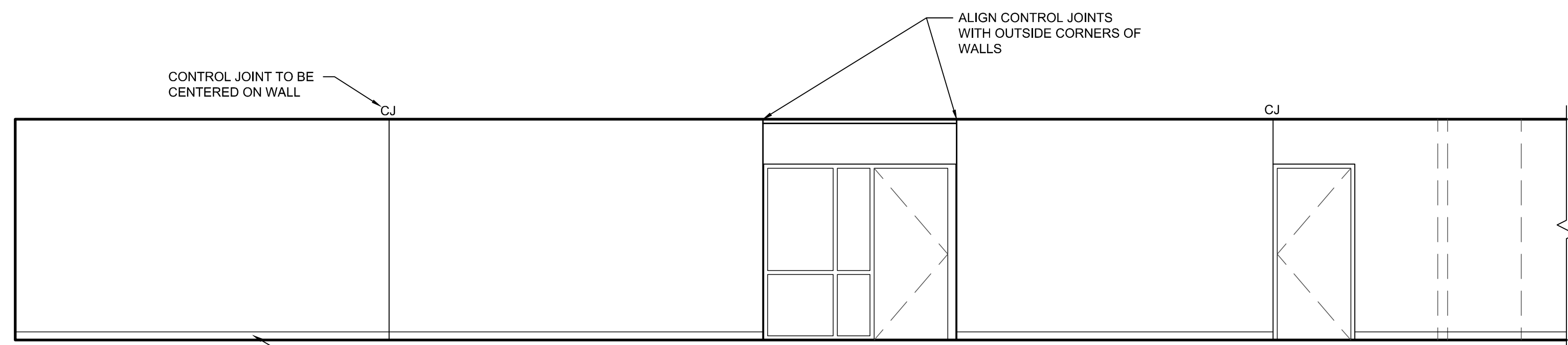
E7 CORR C575 CONTROL JOINT LAYOUT ELEVATION

1/4" = 1'-0"  
AE401



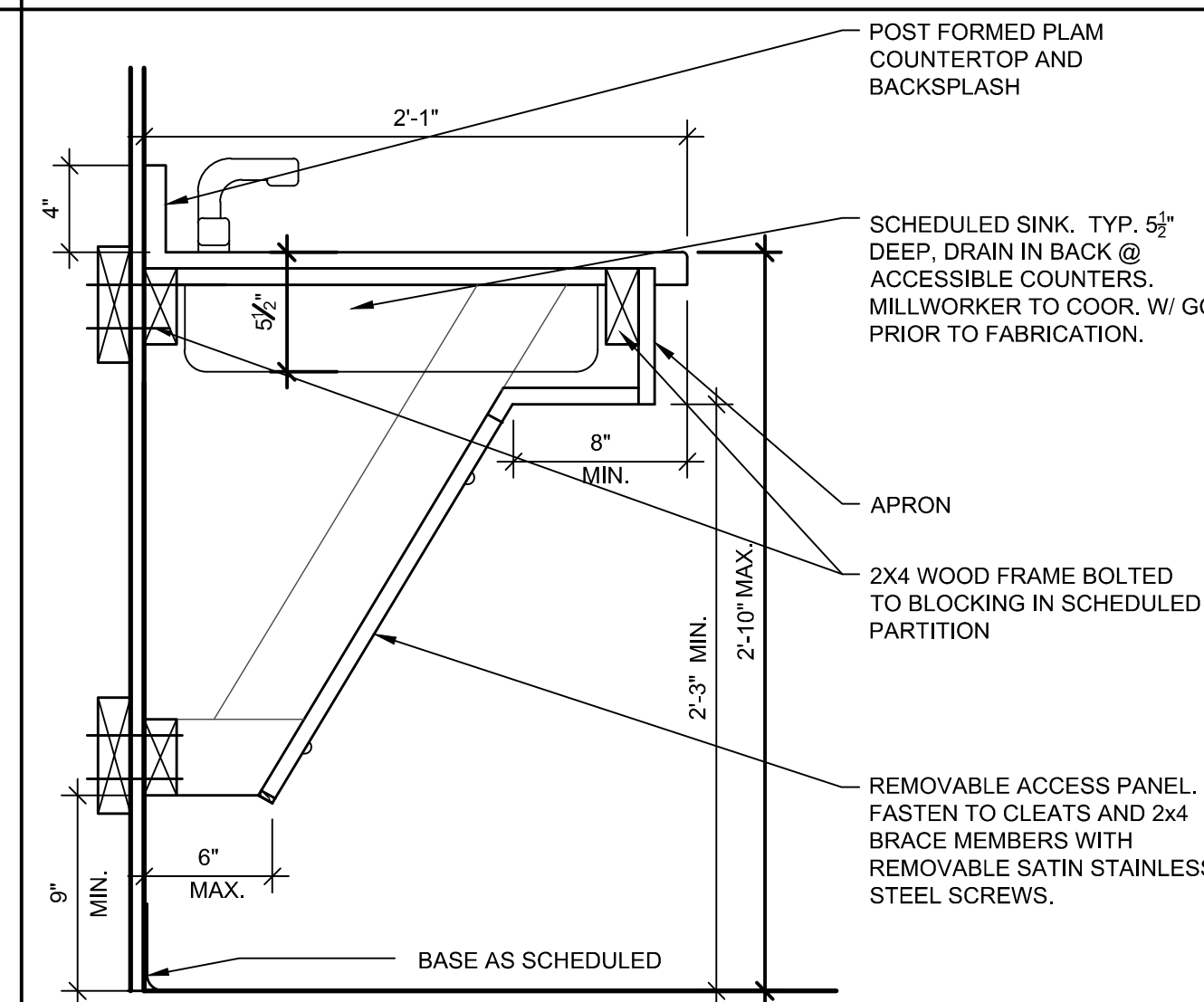
A15 BASE AND WALL CABINET

1 1/2" = 1'-0"  
--



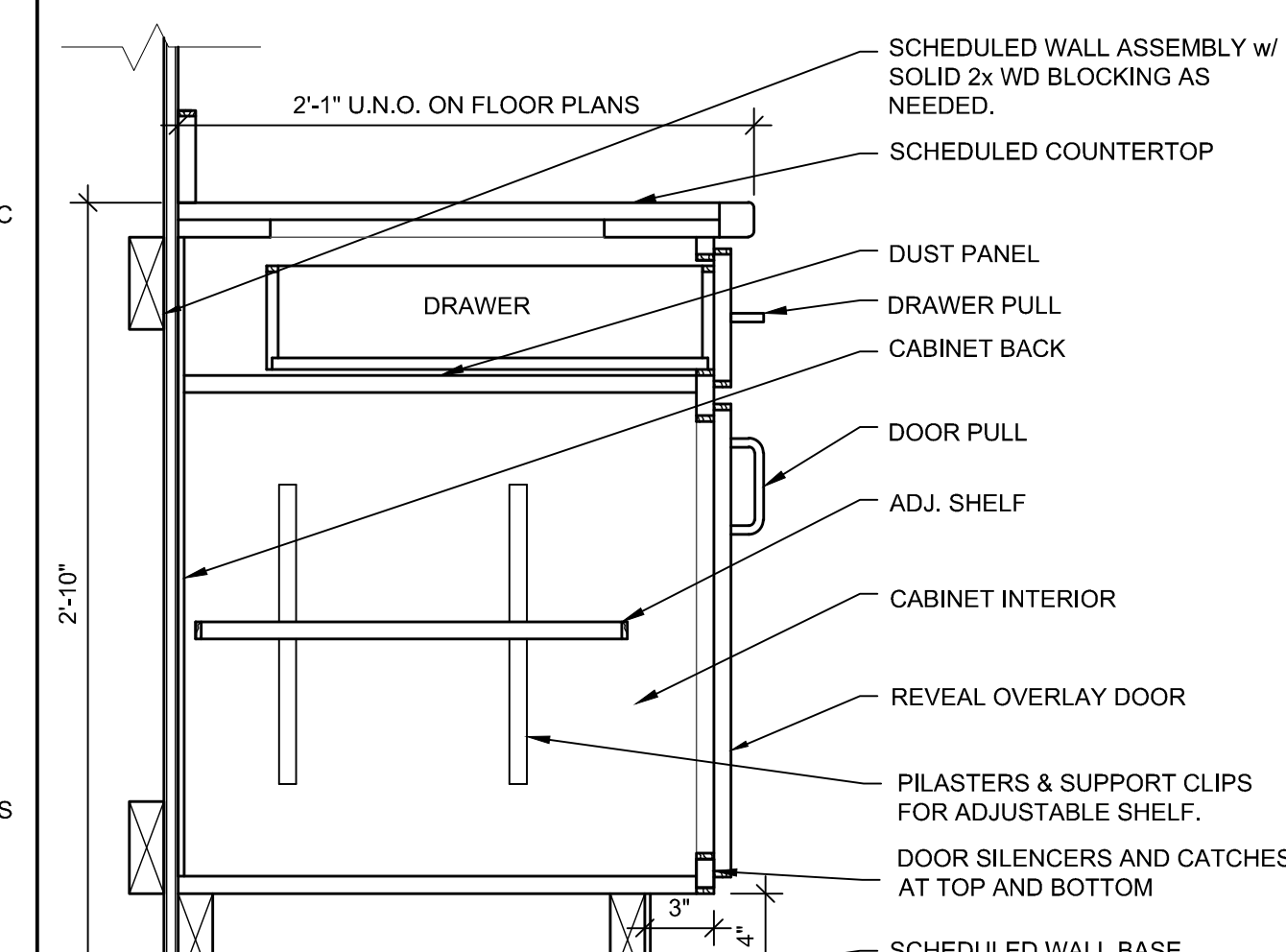
A1 CORR C552B CONTROL JOINT LAYOUT ELEVATION

1/4" = 1'-0"  
AE401



A11 ADA SINK SKIRT

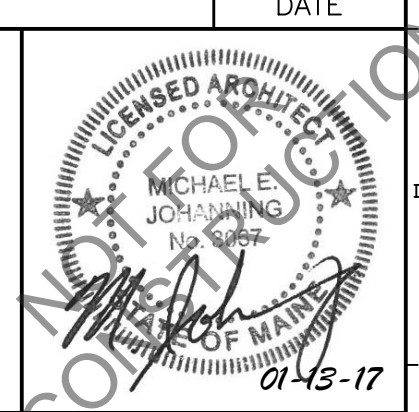
1 1/2" = 1'-0"  
--



A15 BASE AND WALL CABINET

1 1/2" = 1'-0"  
--

REV.	DESCRIPTION	DATE
0	BID DOCUMENTS	01-13-17



**WBRC**  
ARCHITECTS • ENGINEERS  
WWW.WBRC.AE.COM  
BANGOR, MAINE 207-647-4511  
PORTLAND, MAINE 207-628-4511  
SARASOTA, FLORIDA 941-556-0075

USM SCIENCE BUILDING OFFICE RENOVATIONS

PROJECT: PORTLAND, ME  
INTERIOR ELEVATIONS

SHEET TITLE: 4128.10 - AE201  
WBRC CAD FILE: 4128.10 GRAPHIC SCALE: 0"  
SCALE: AS NOTED  
PROJECT MANAGER: MEJ  
DRAWN BY: JLR/RAD  
CHECKED BY: MEJ  
SHEET No. AE201

1/12/2017 2:35 PM T:\02 PROJECTS - MAINE\101-4200\412810 USM SCIENCE BLDG CONSULTATION\2 DESIGN\WORKS\BID\03 USM SCIENCE BUILDING SHEETS\4128.10-AE201 INTERIOR ELEVATIONS.DWG BOB DUBOIS