



HARRIMAN

AUBURN PORTLAND MANCHESTER

UNIVERSITY OF SOUTHERN MAINE DEPARTMENT REORGANIZATION PROJECT 2015-011

PORTLAND, MAINE

Harriman Project No. 15457

Key Plan

Proj North

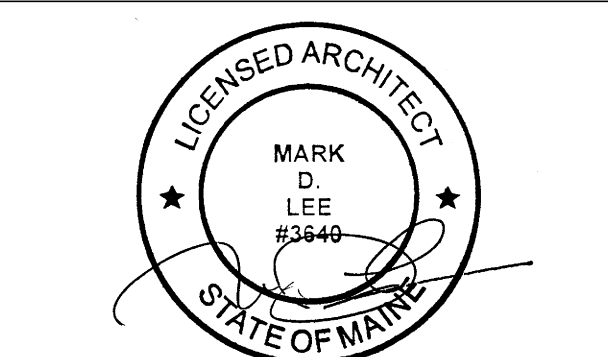


True North



Issues and Revisions

Mark	Date	Description
-	07-09-15	75% REVIEW
-	07-23-15	100% REVIEW
-	08-03-15	OWNER REVIEW
-	08-10-15	ISSUED FOR BID

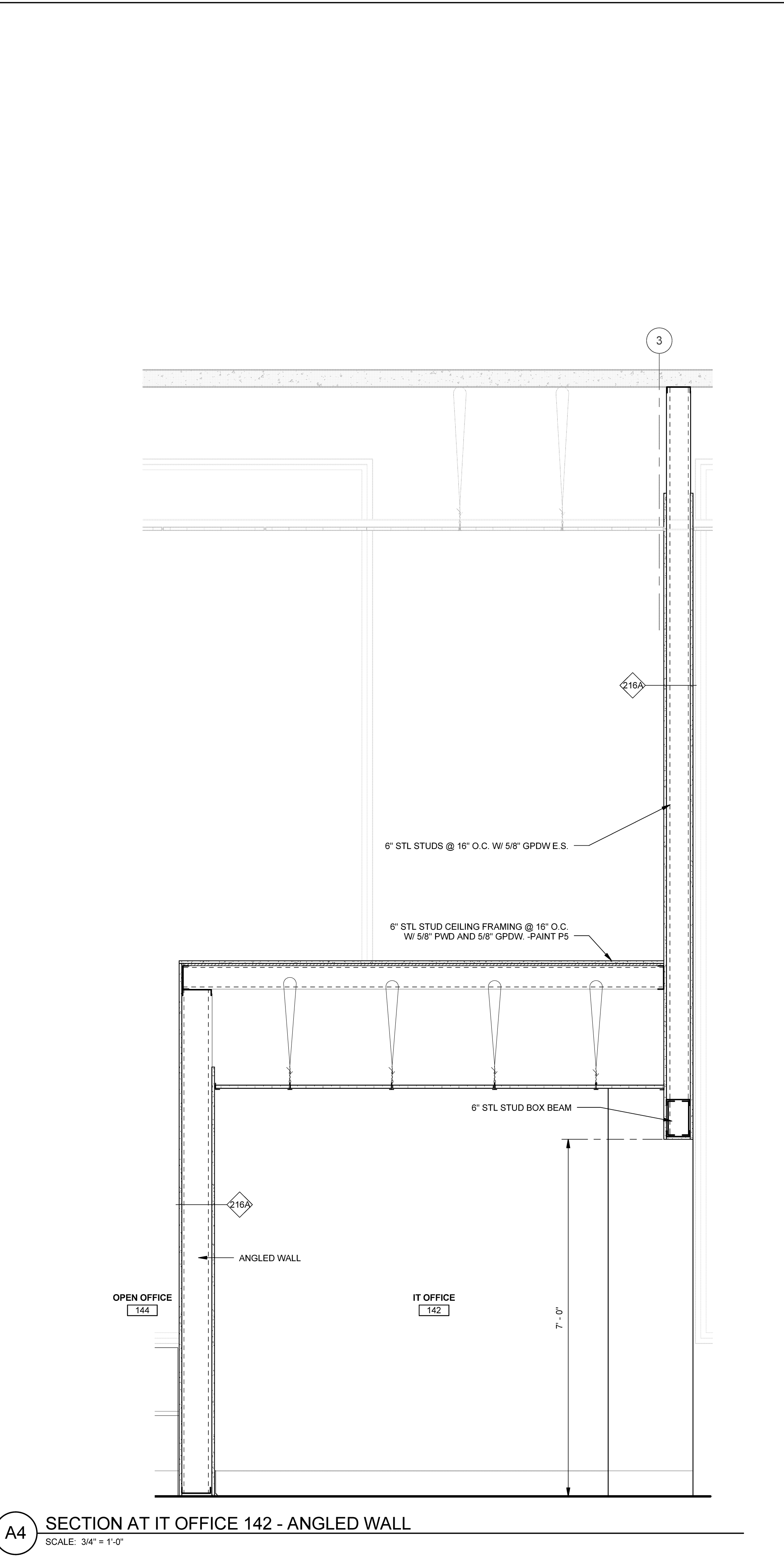
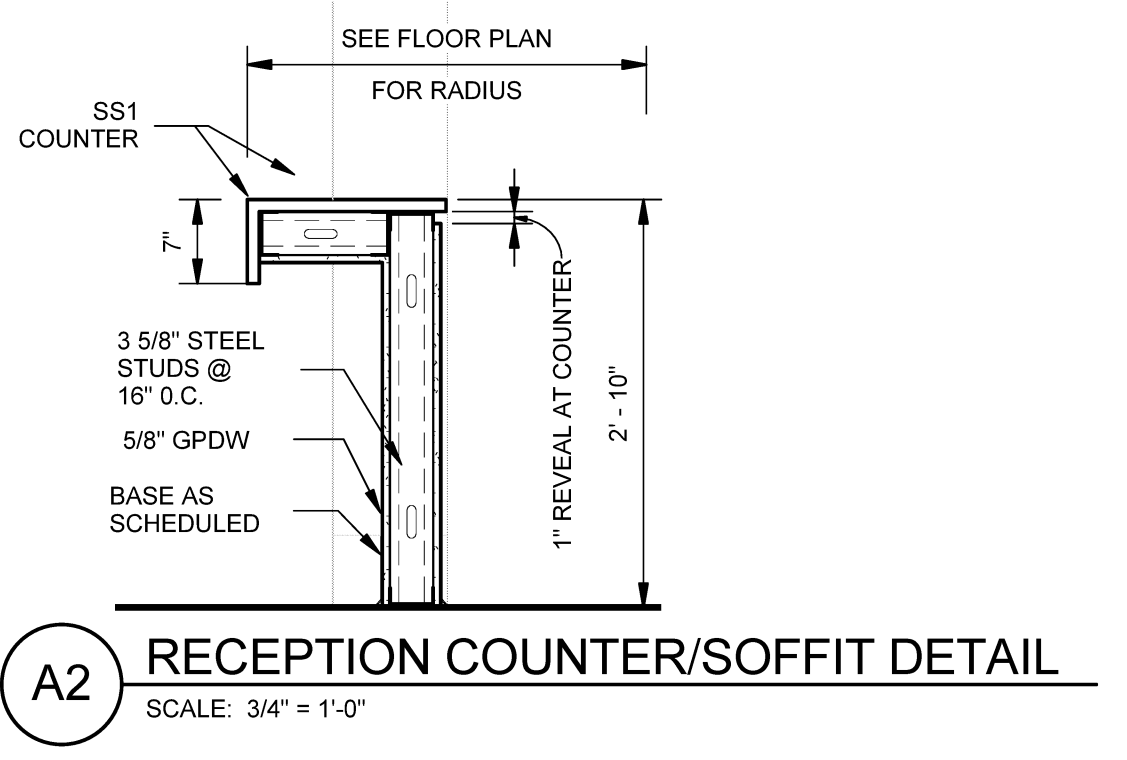
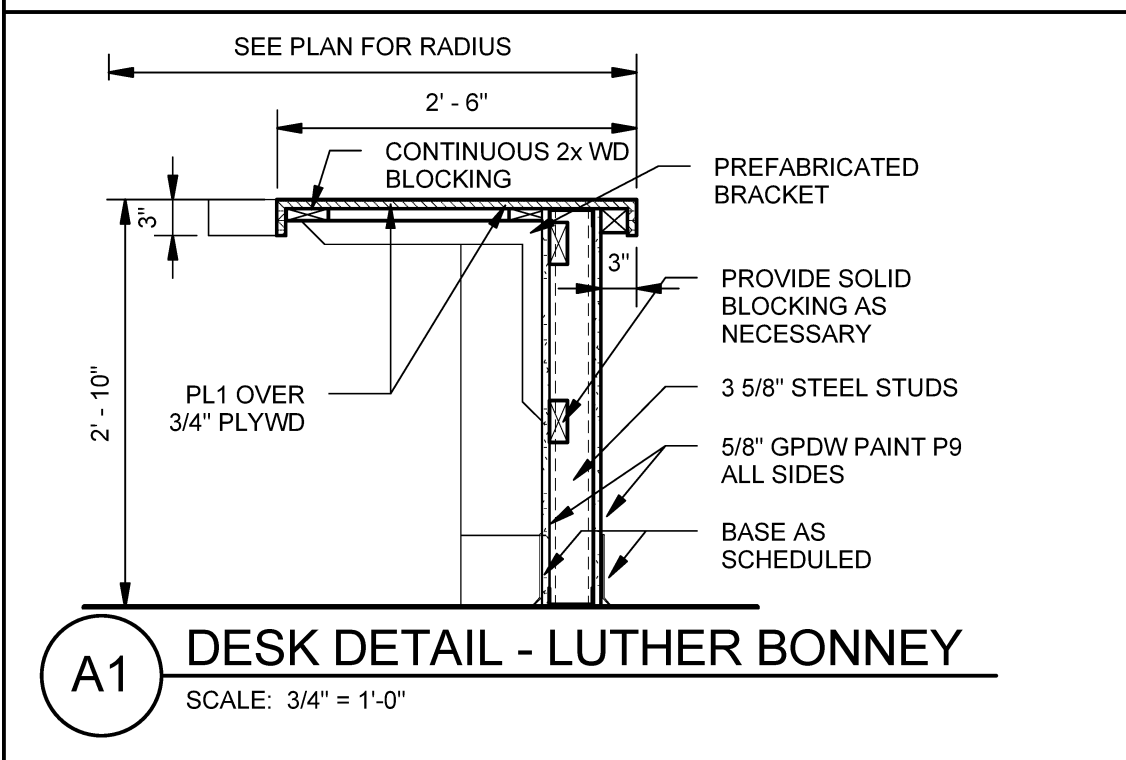
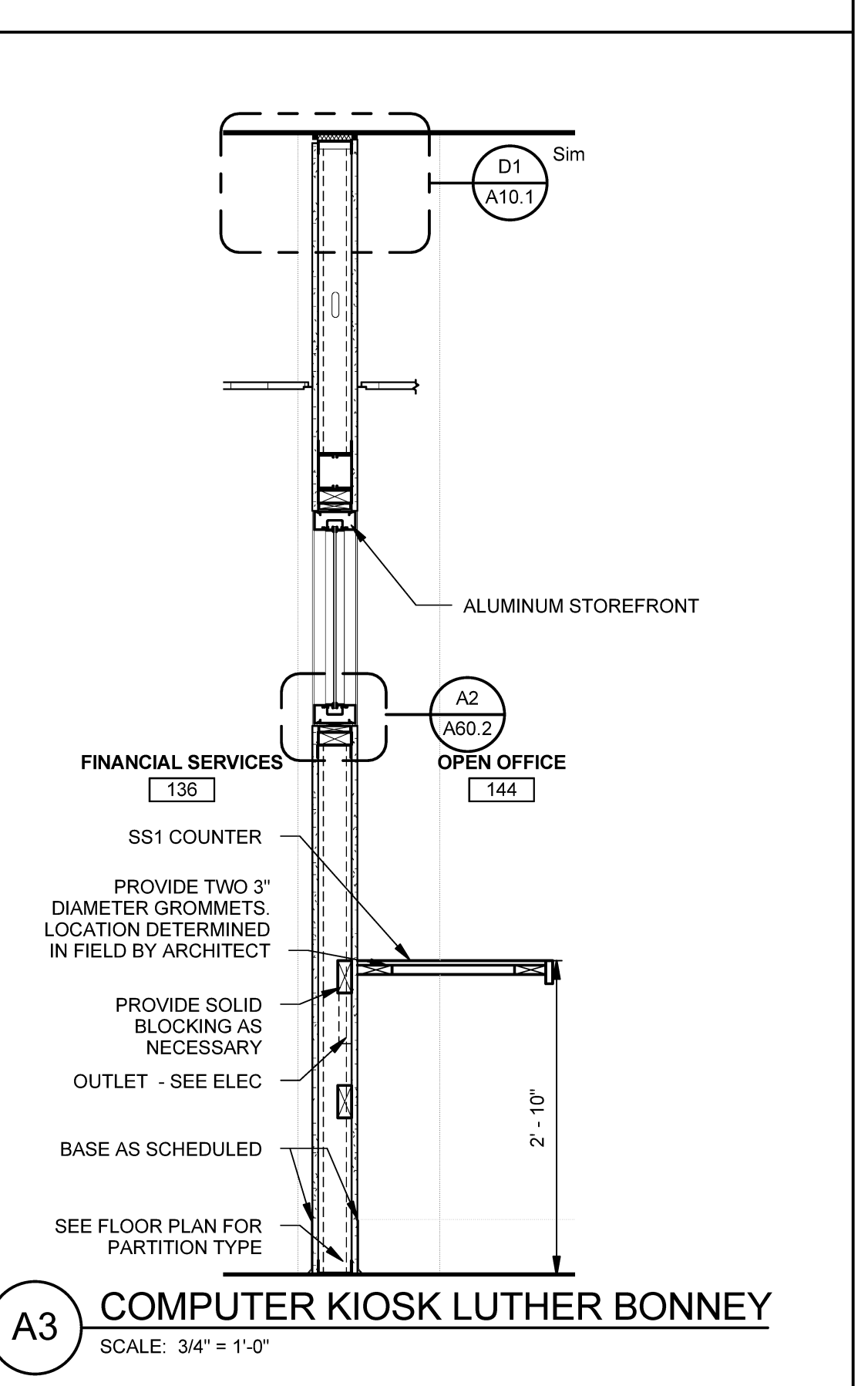
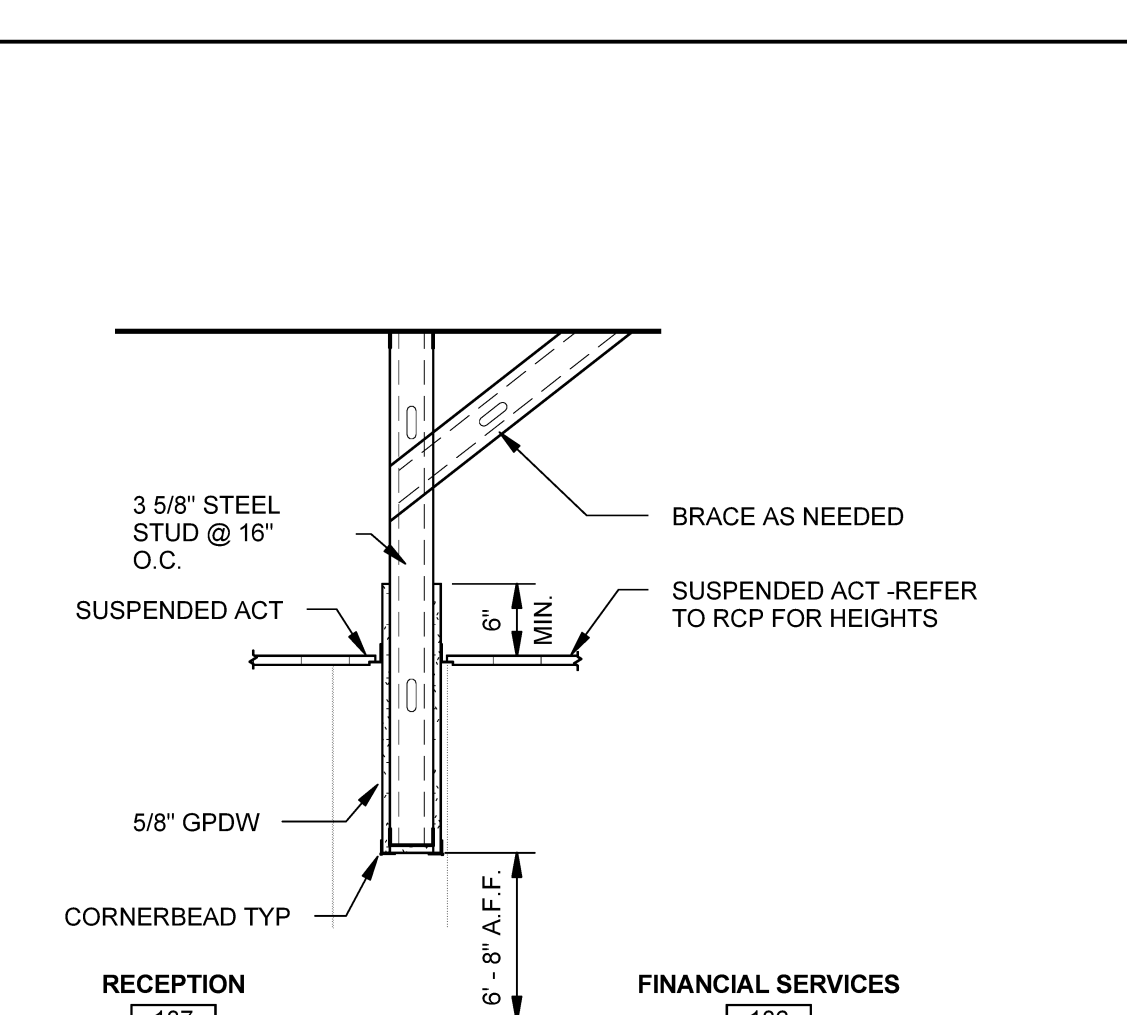
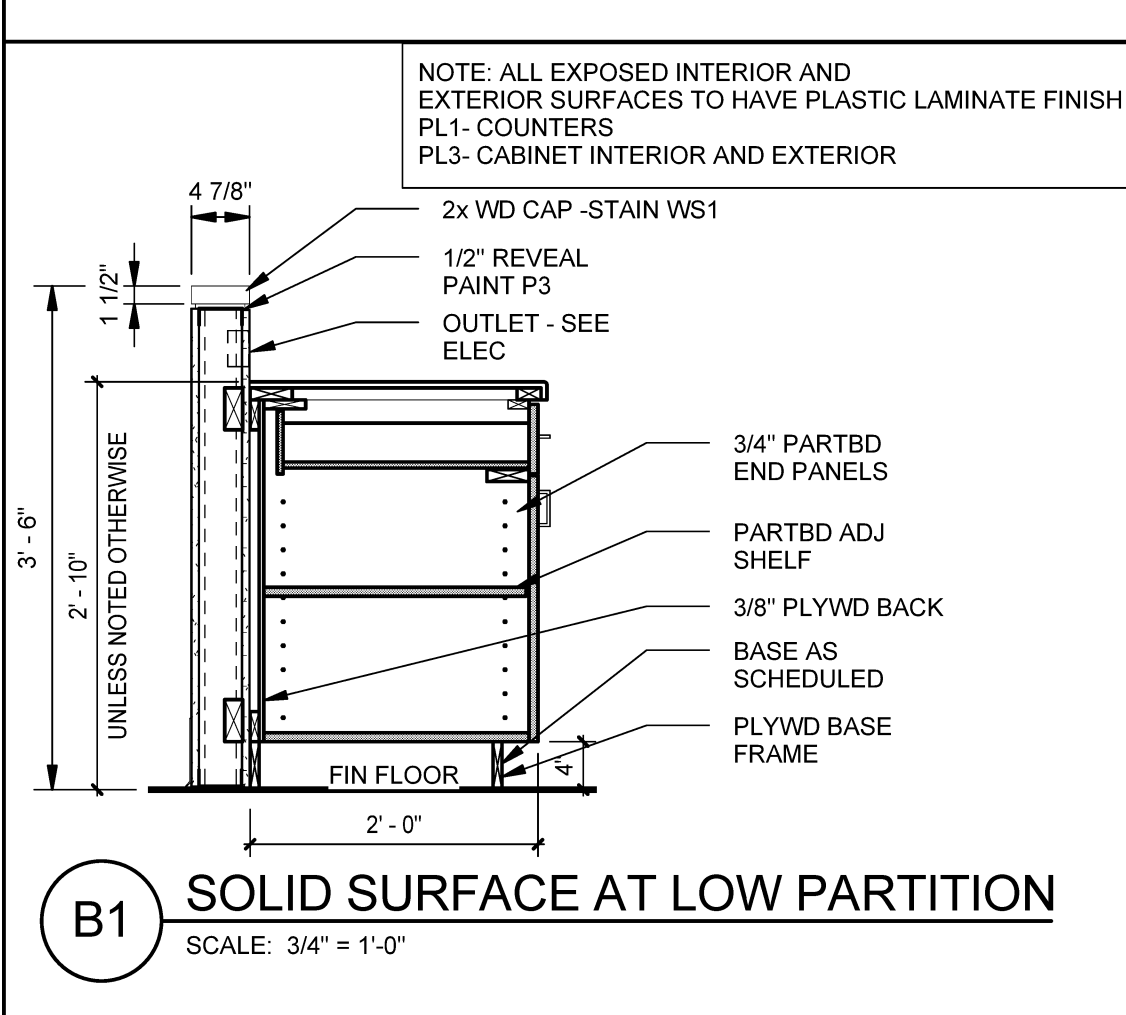
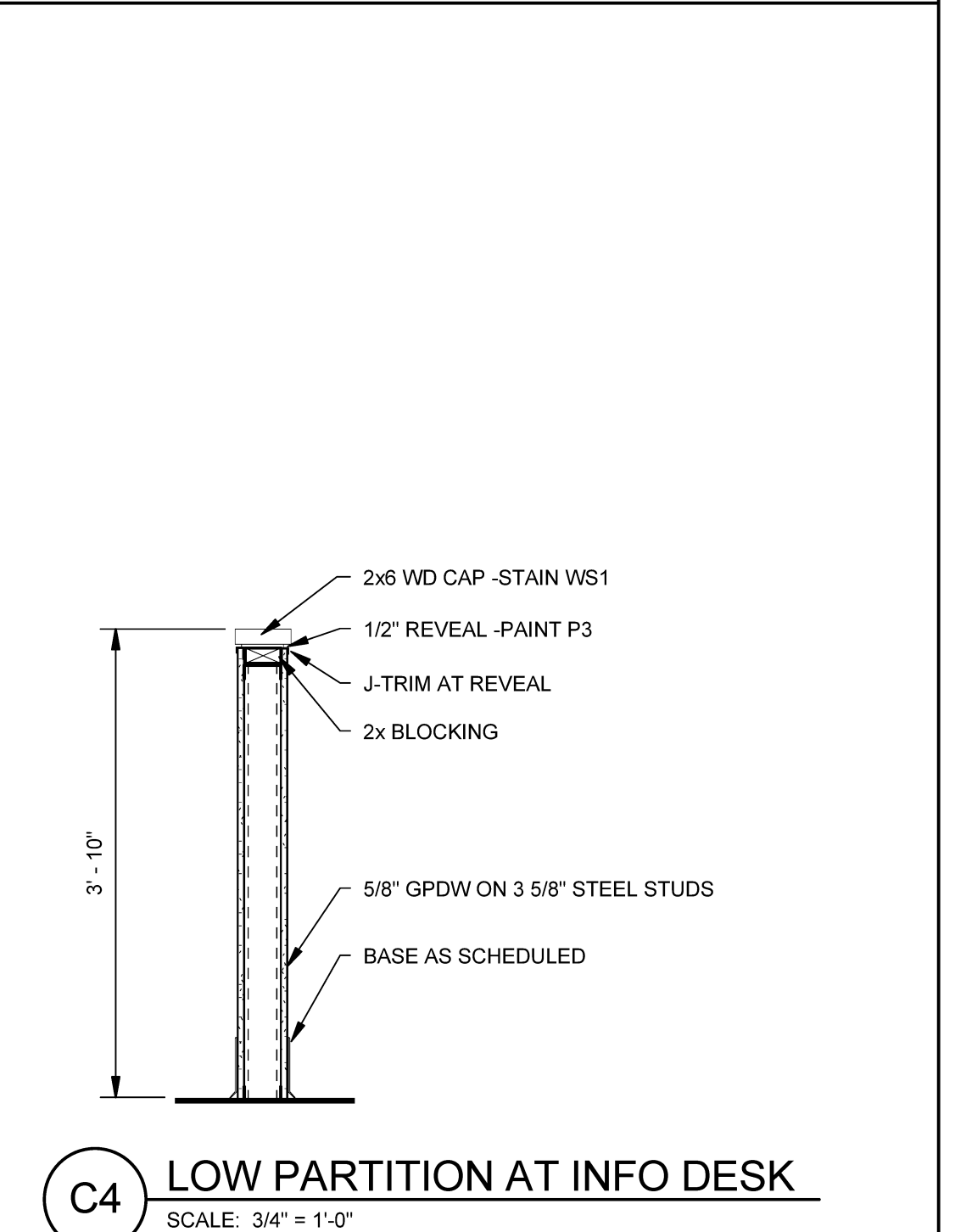
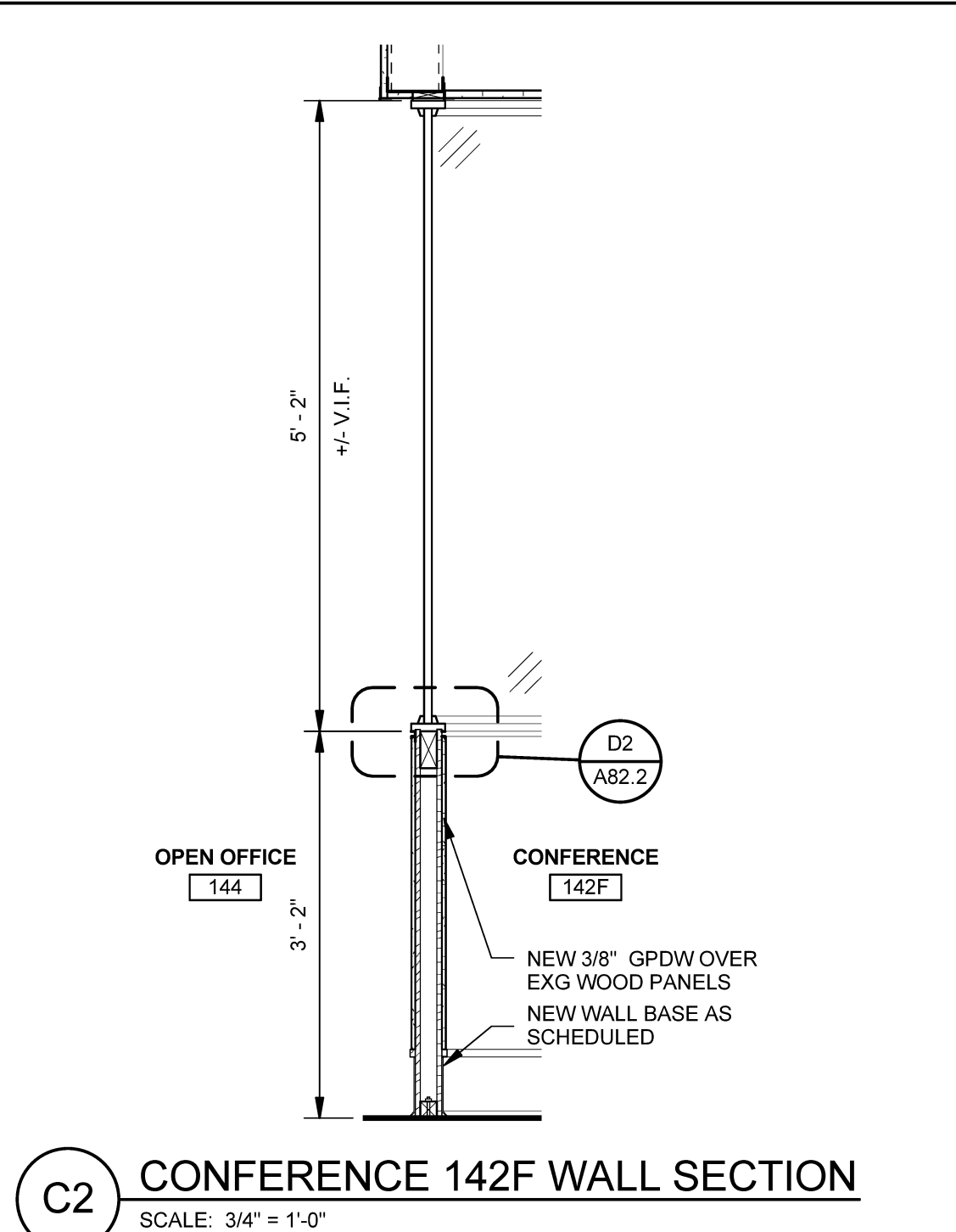
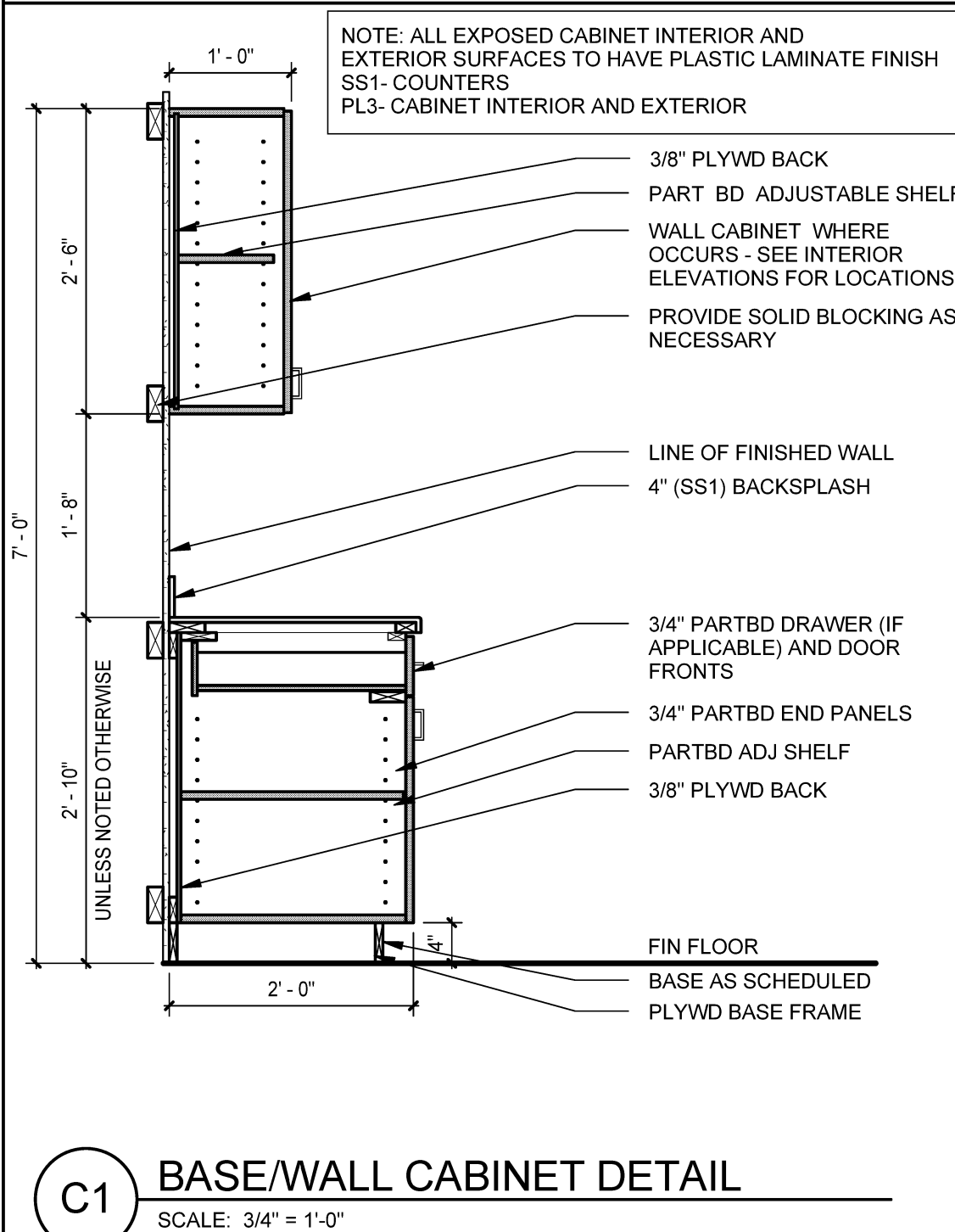
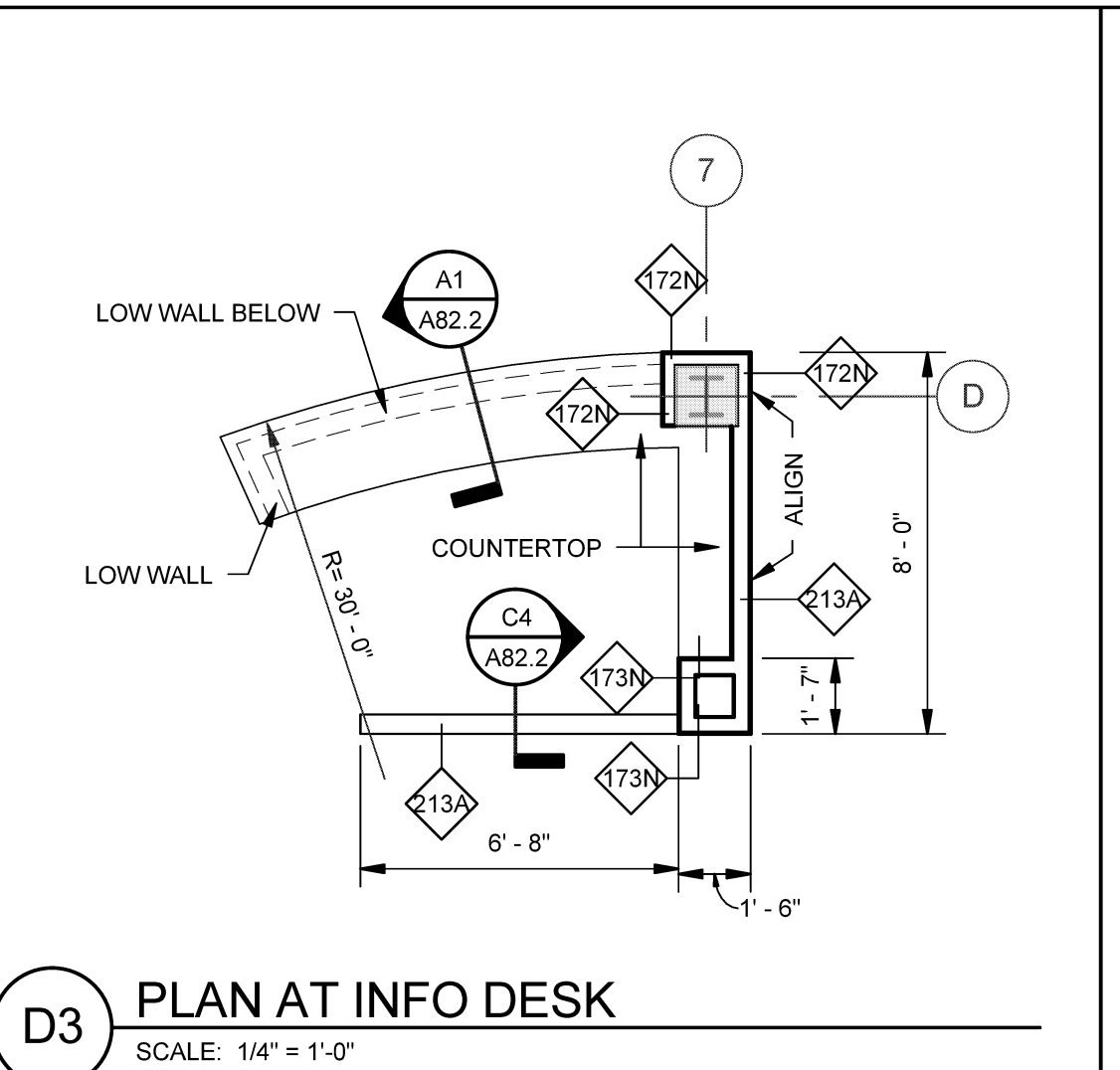
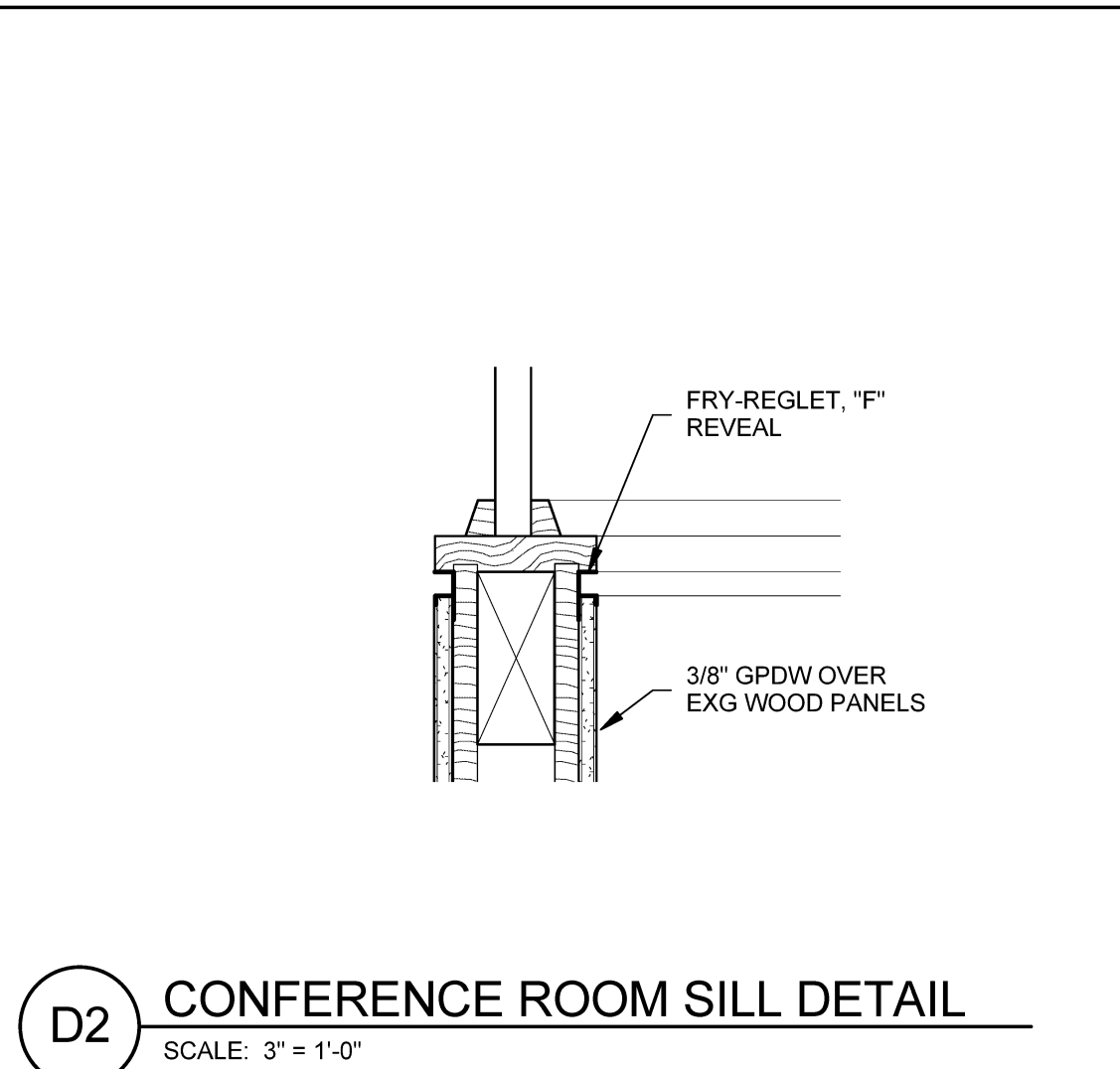
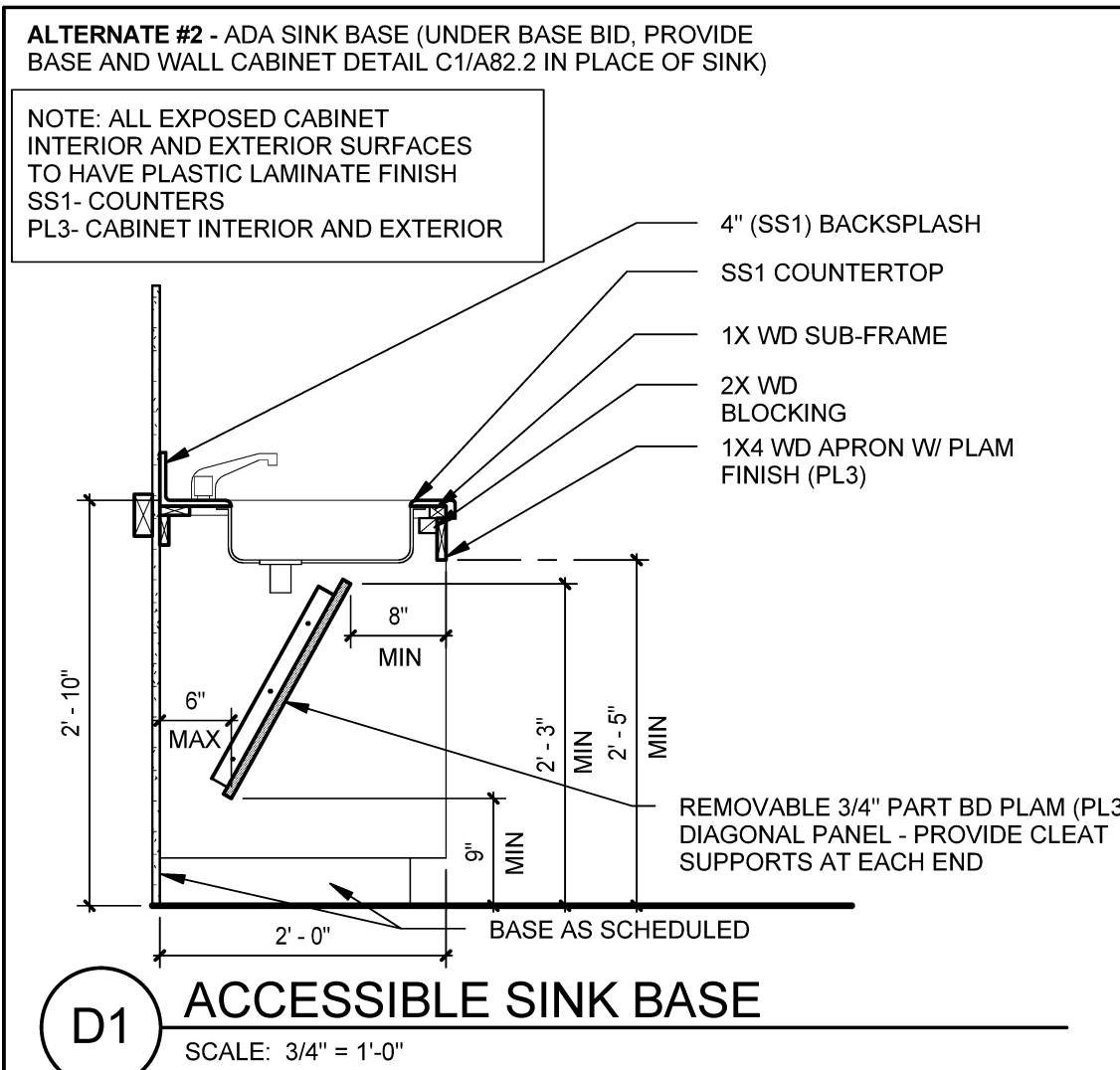


Drawing Scales As indicated

PA/PE: MDL © 2015 Harriman Associates
Drawn By: MR

INTERIOR SECTIONS AND DETAILS

A82.2



Plot Date: 8/10/2015 3:06:45 PM