

HARRIMAN

AUBURN PORTLAND MANCHESTER

UNIVERSITY OF SOUTHERN MAINE DEPARTMENT REORGANIZATION PROJECT 2015-011

PORTLAND, MAINE

Harriman Project No. 15457

Key Plan

Proj North

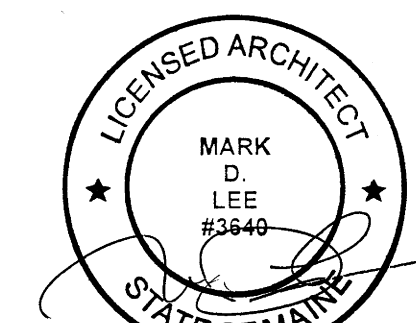


True North



Issues and Revisions

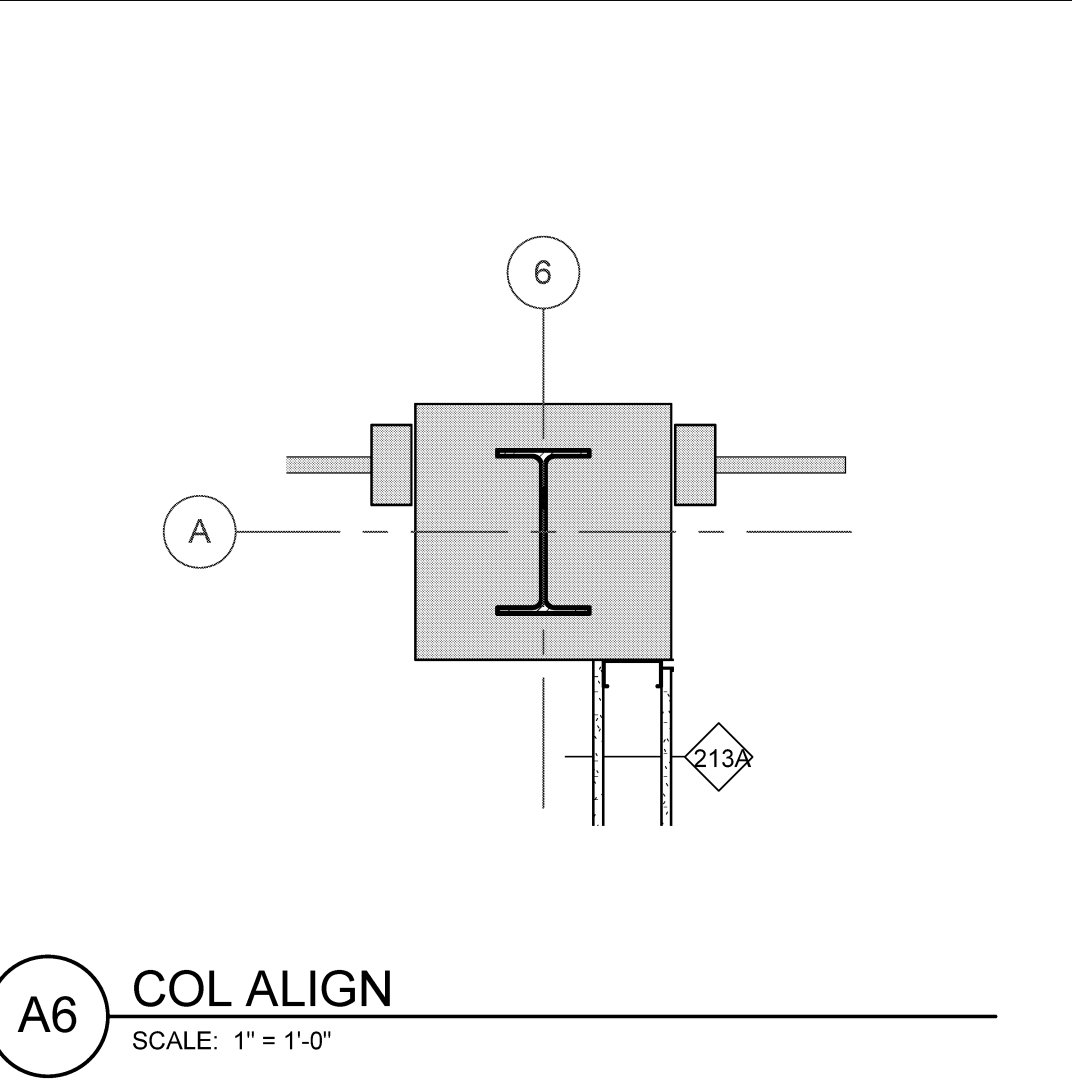
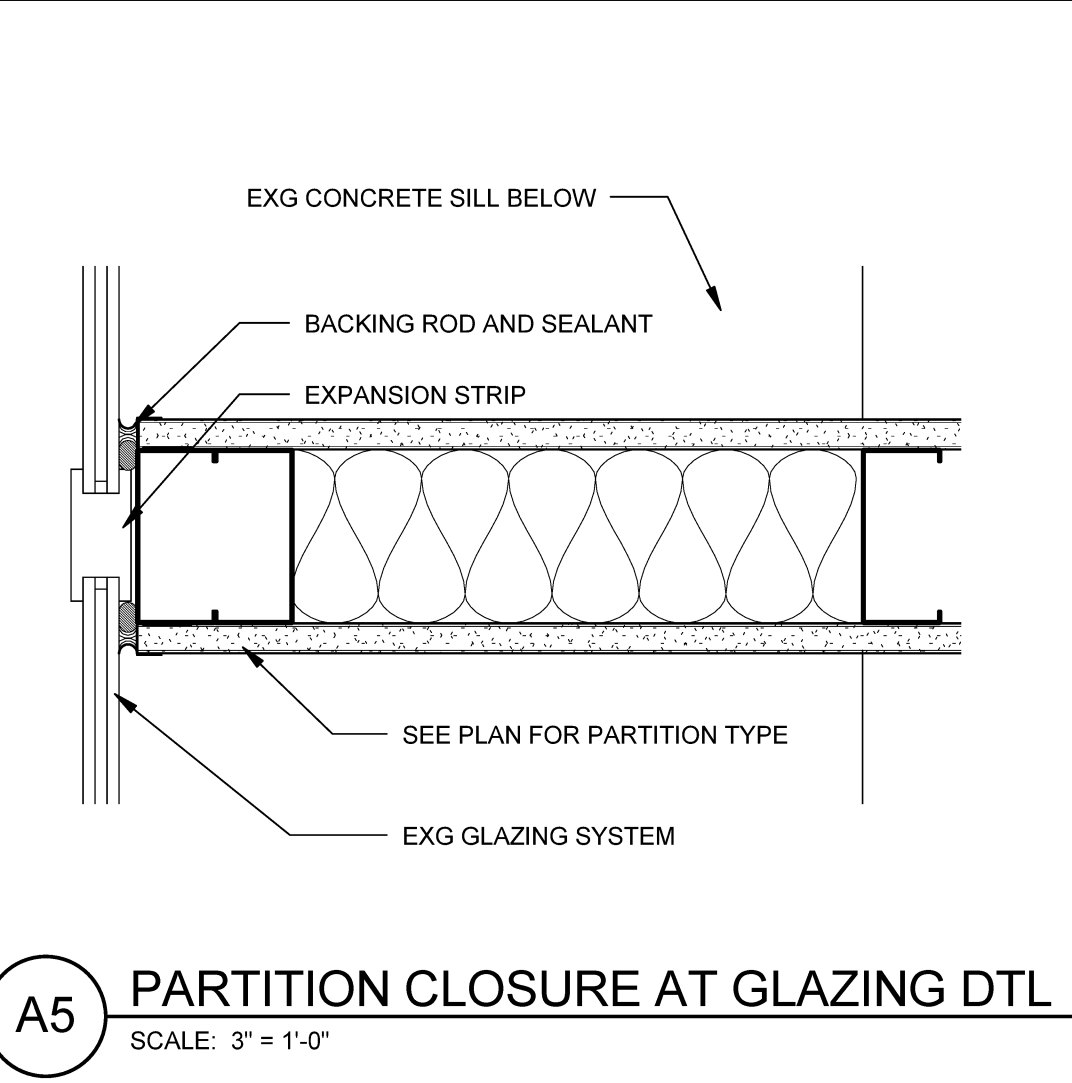
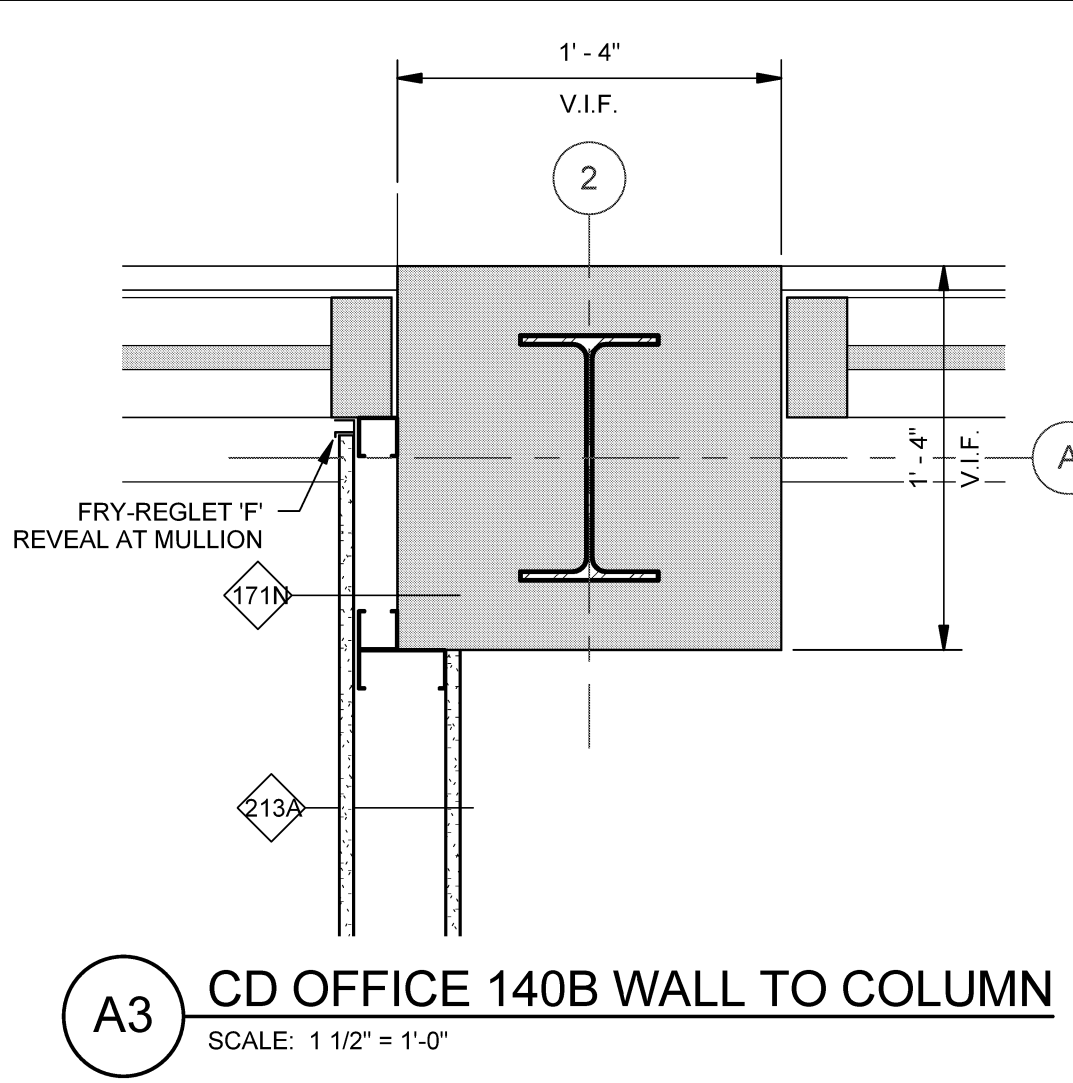
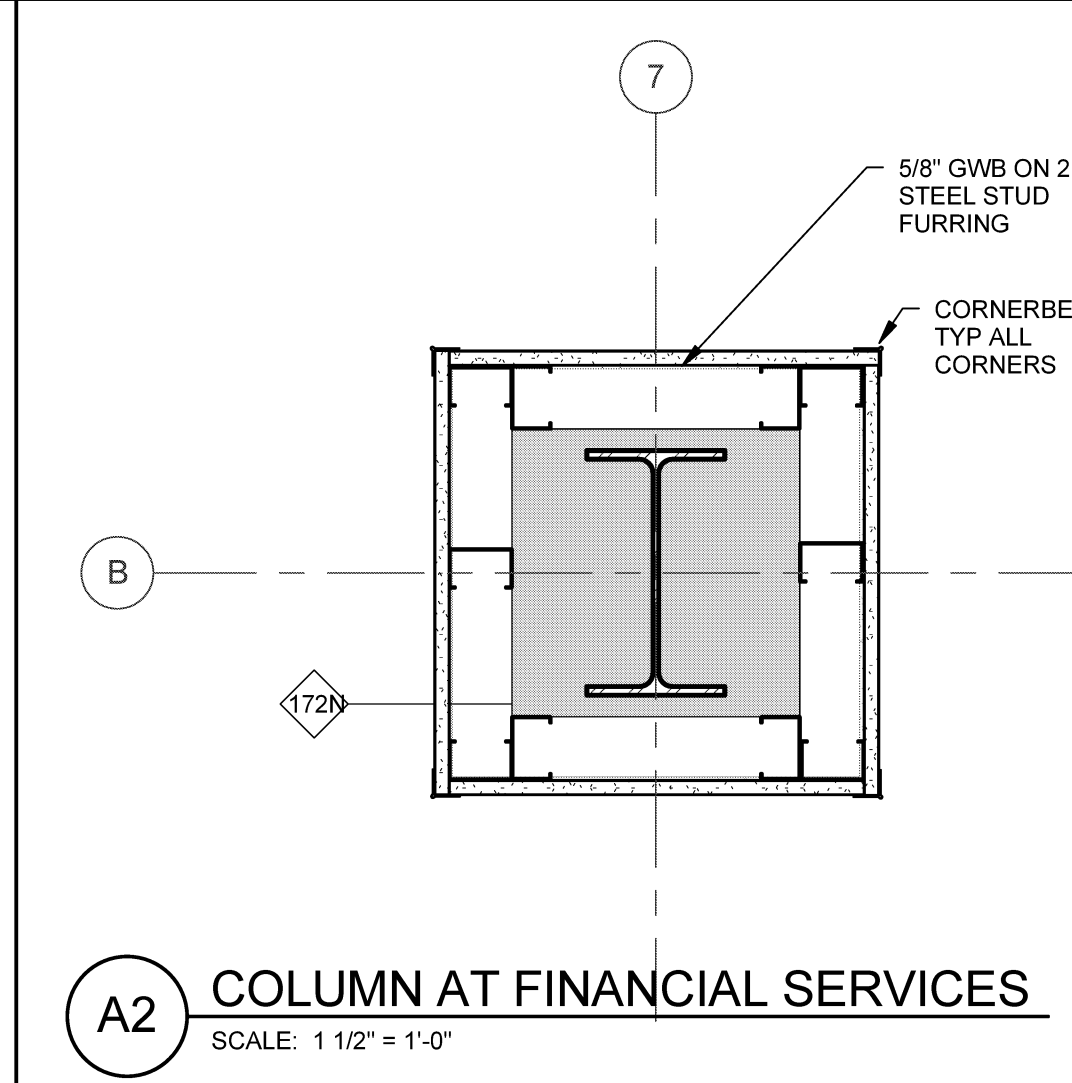
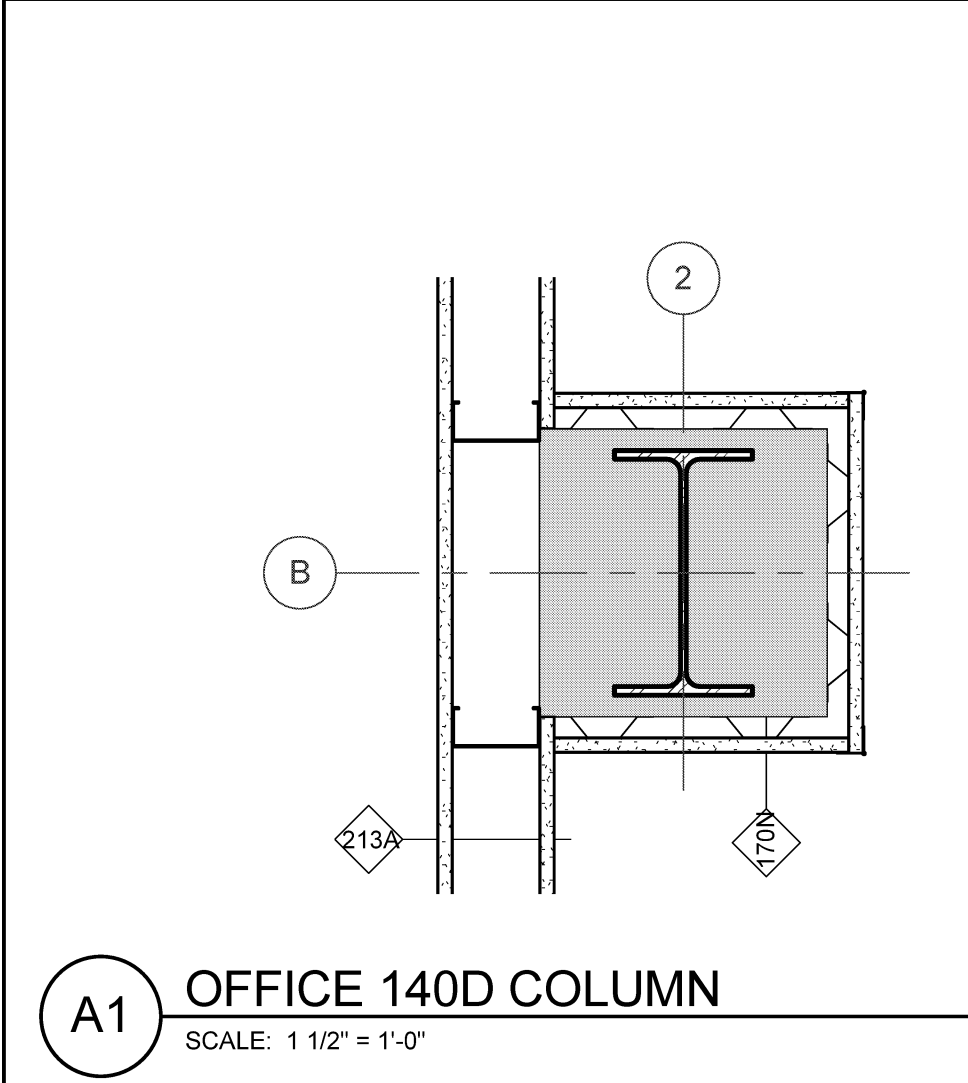
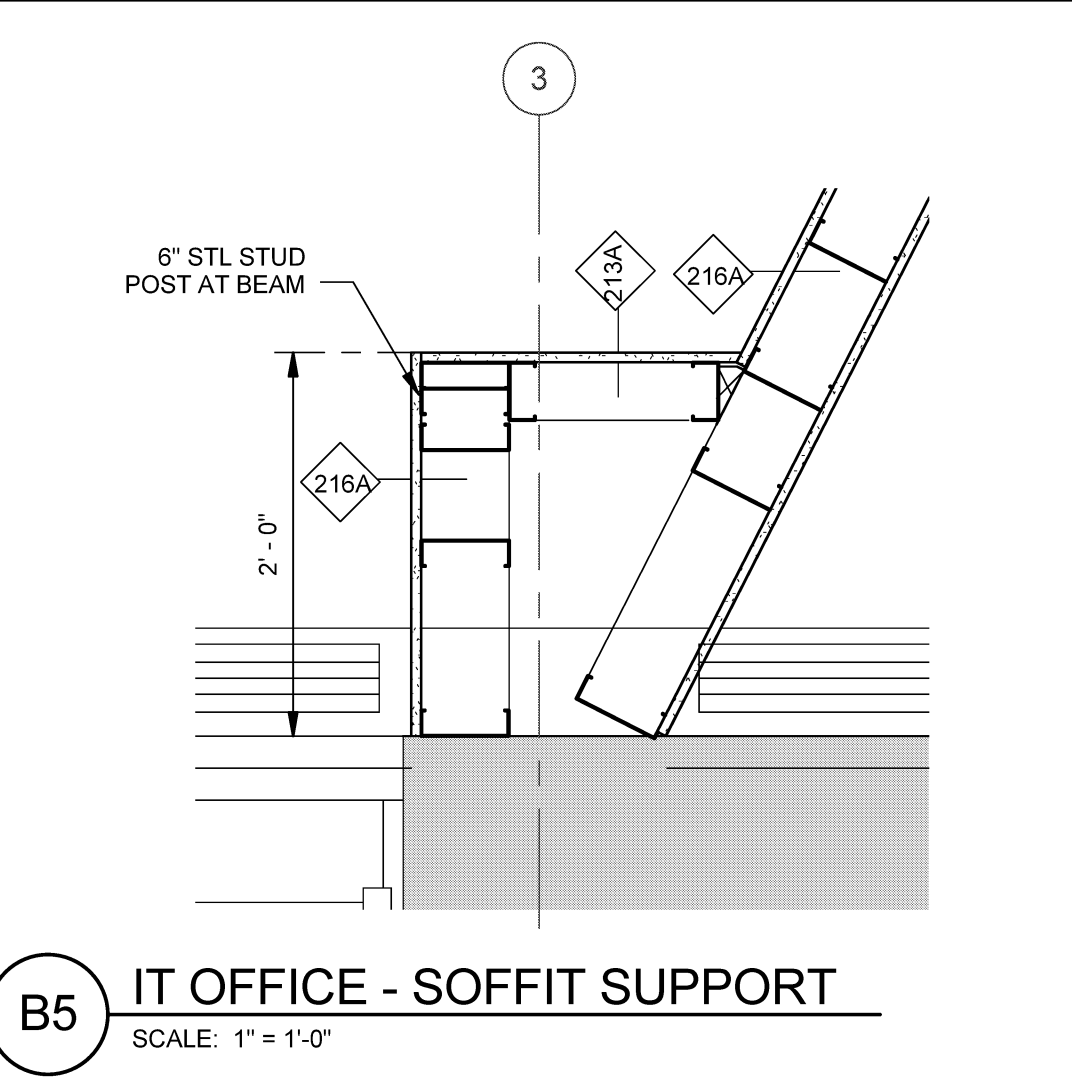
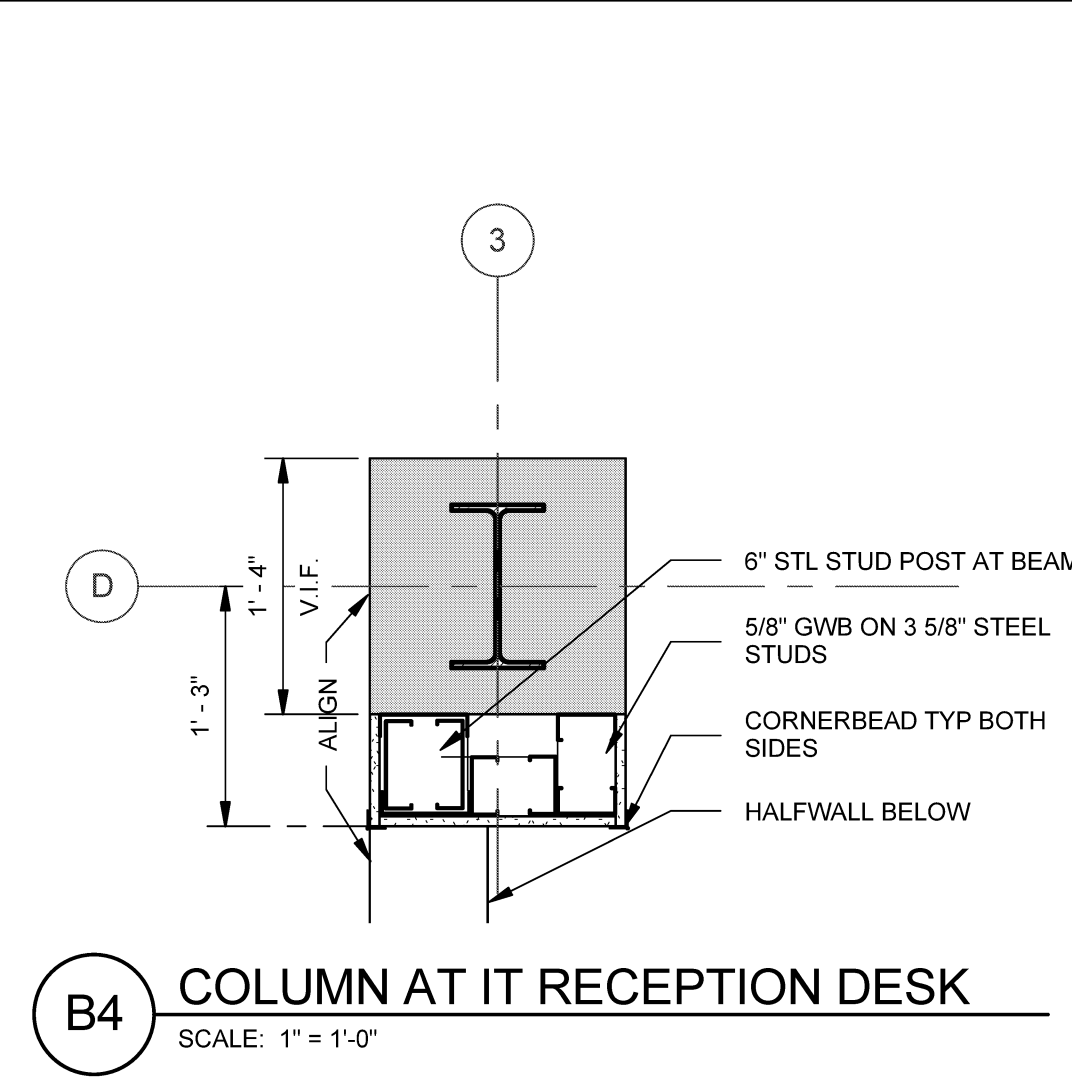
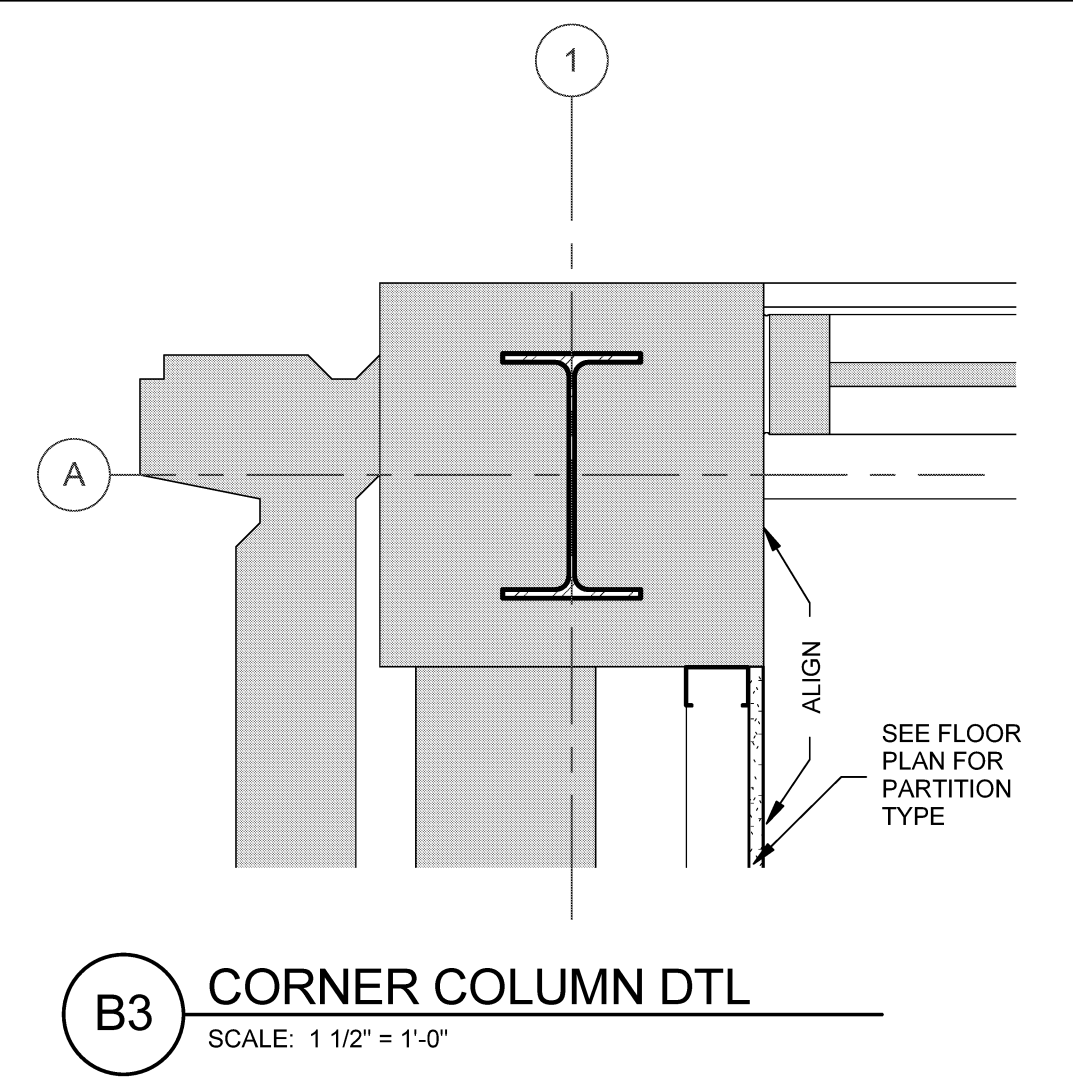
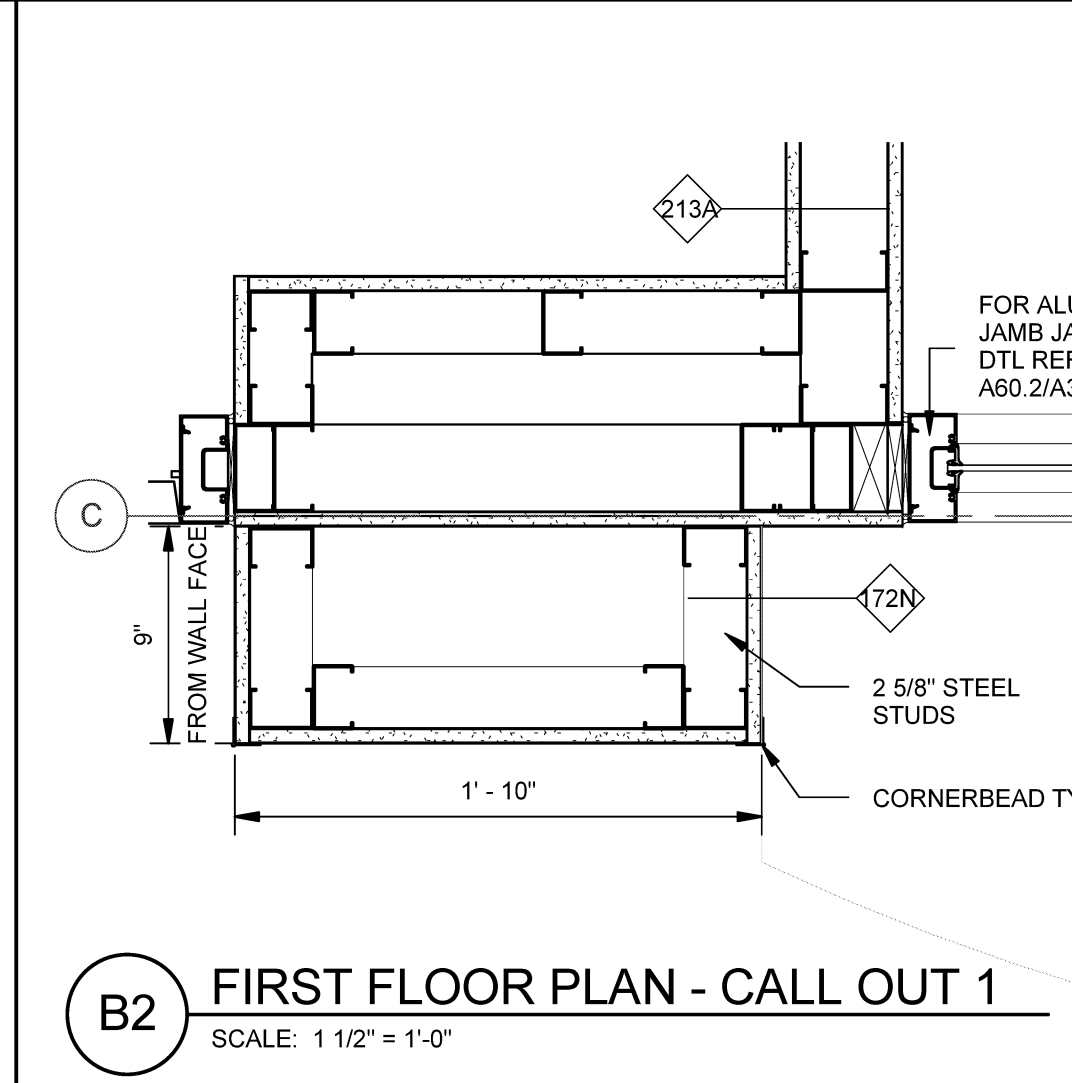
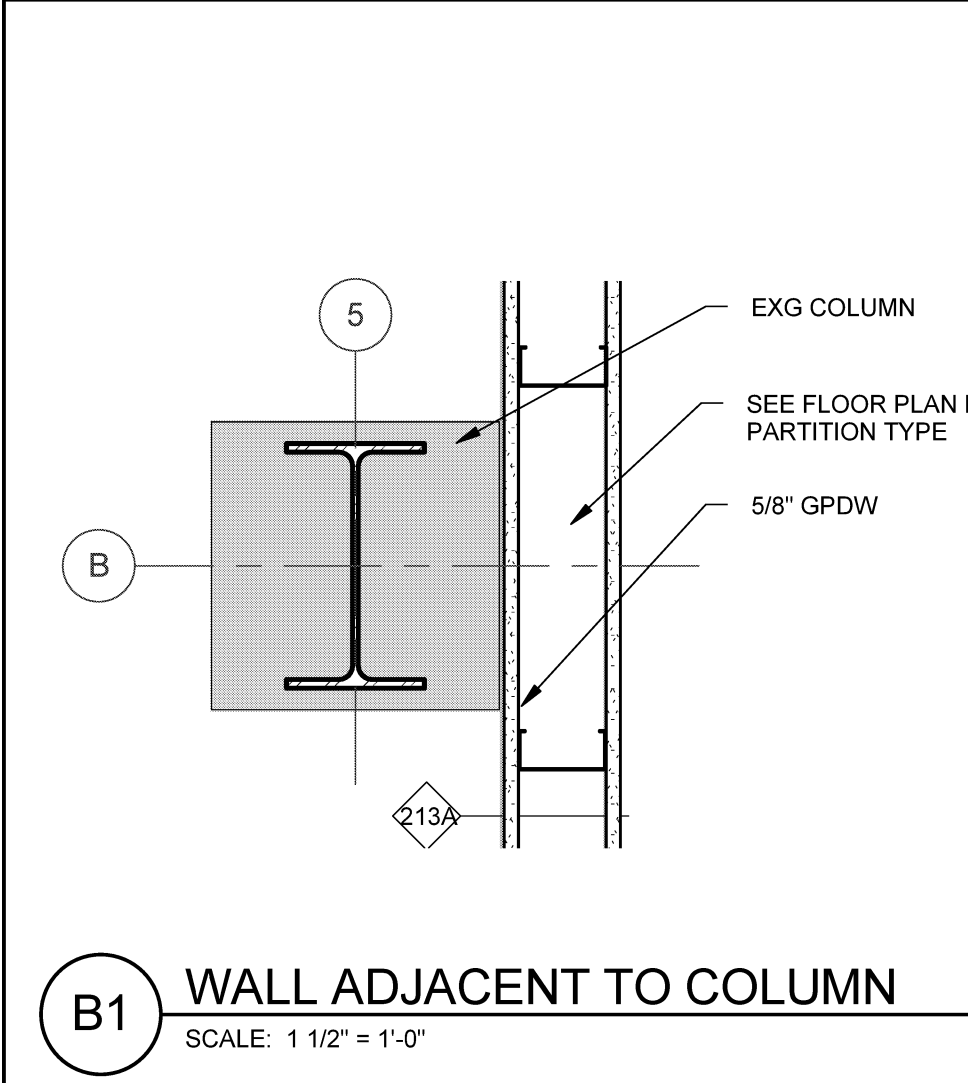
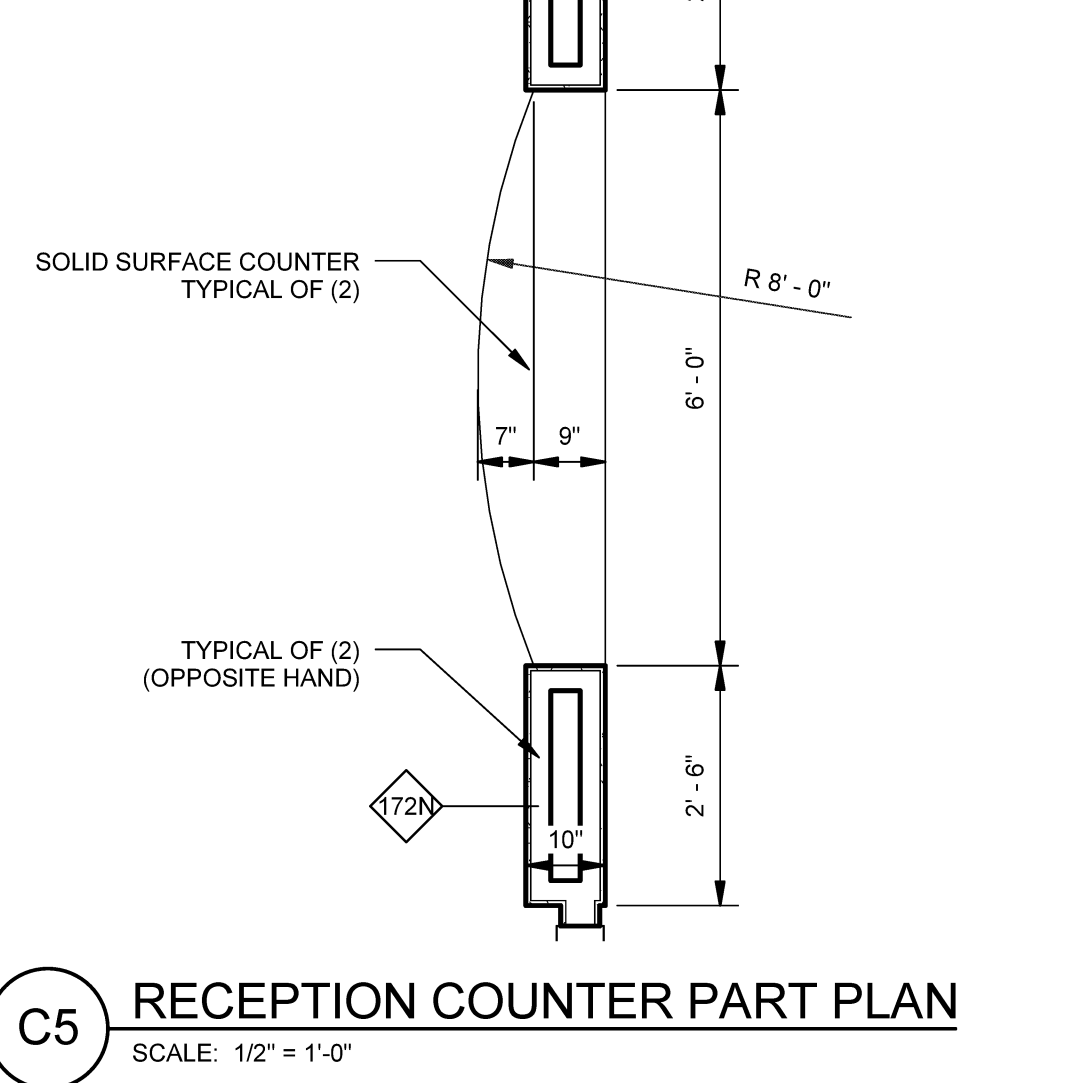
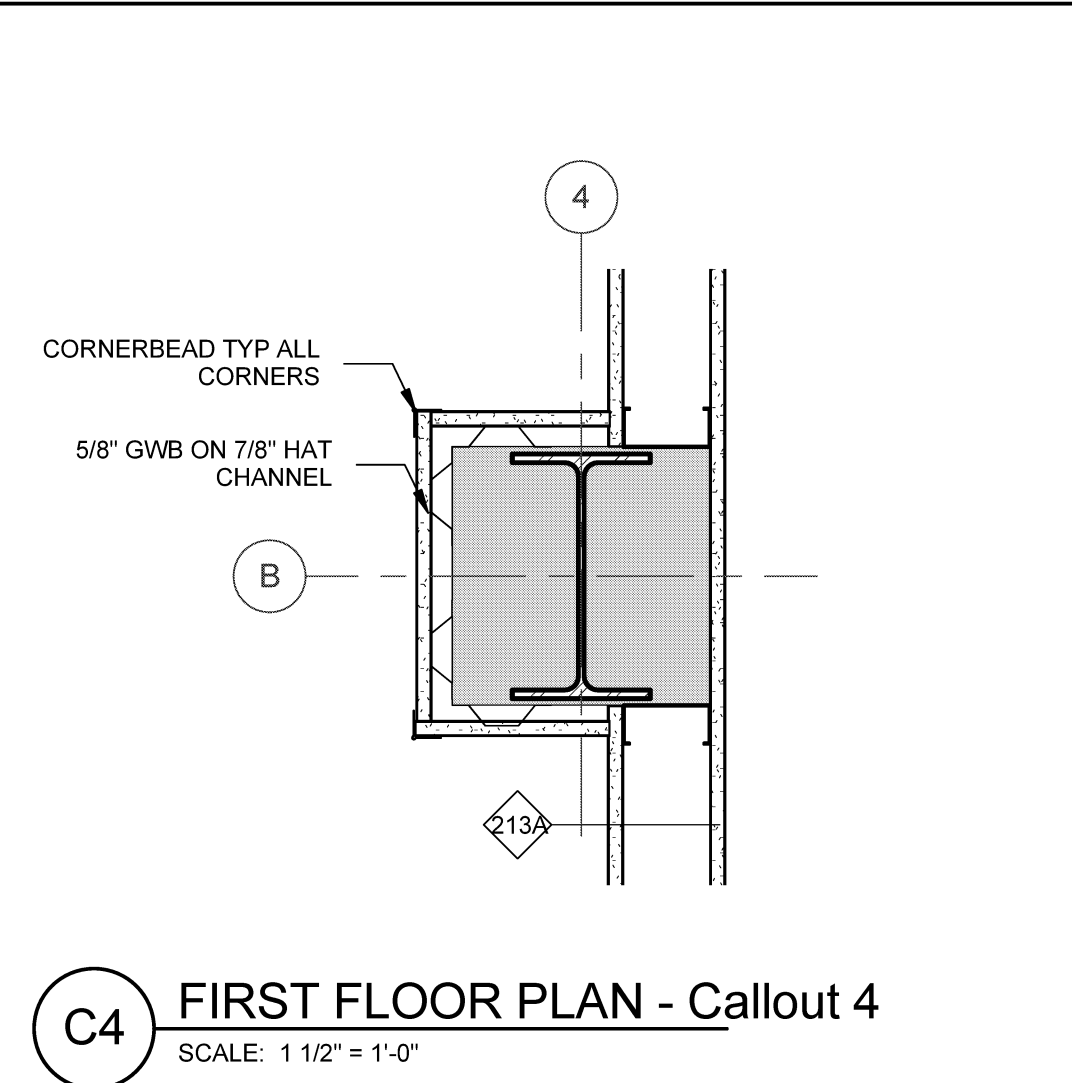
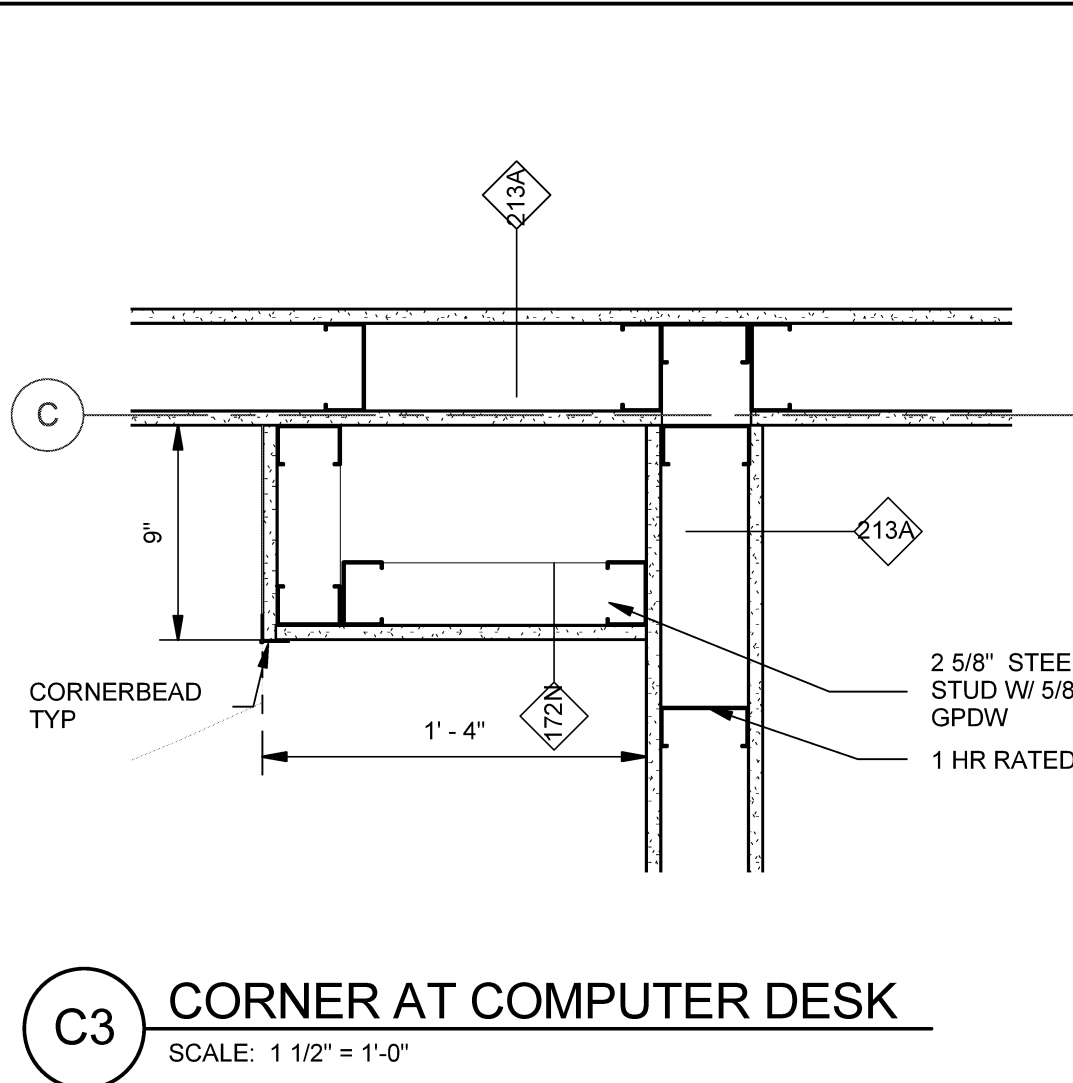
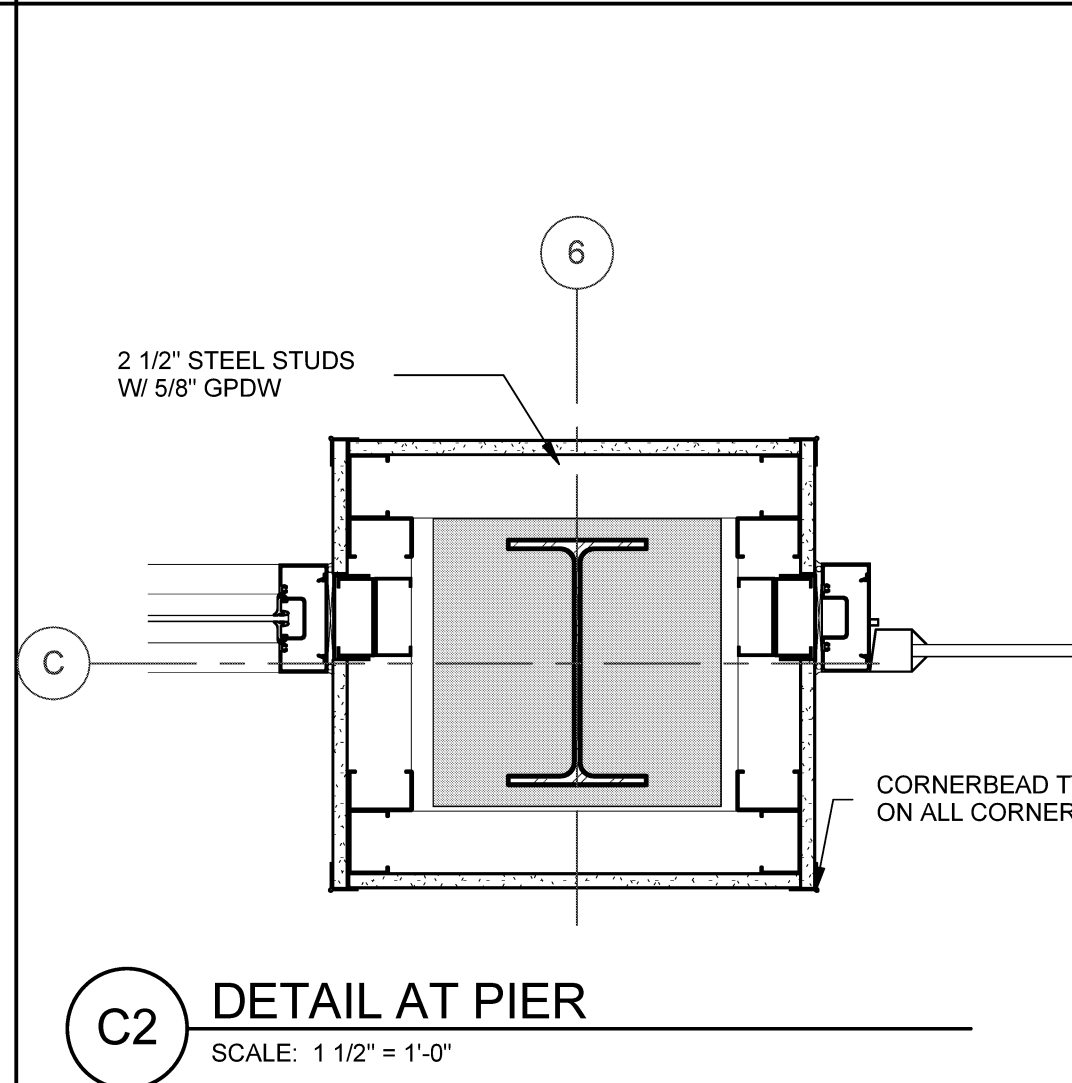
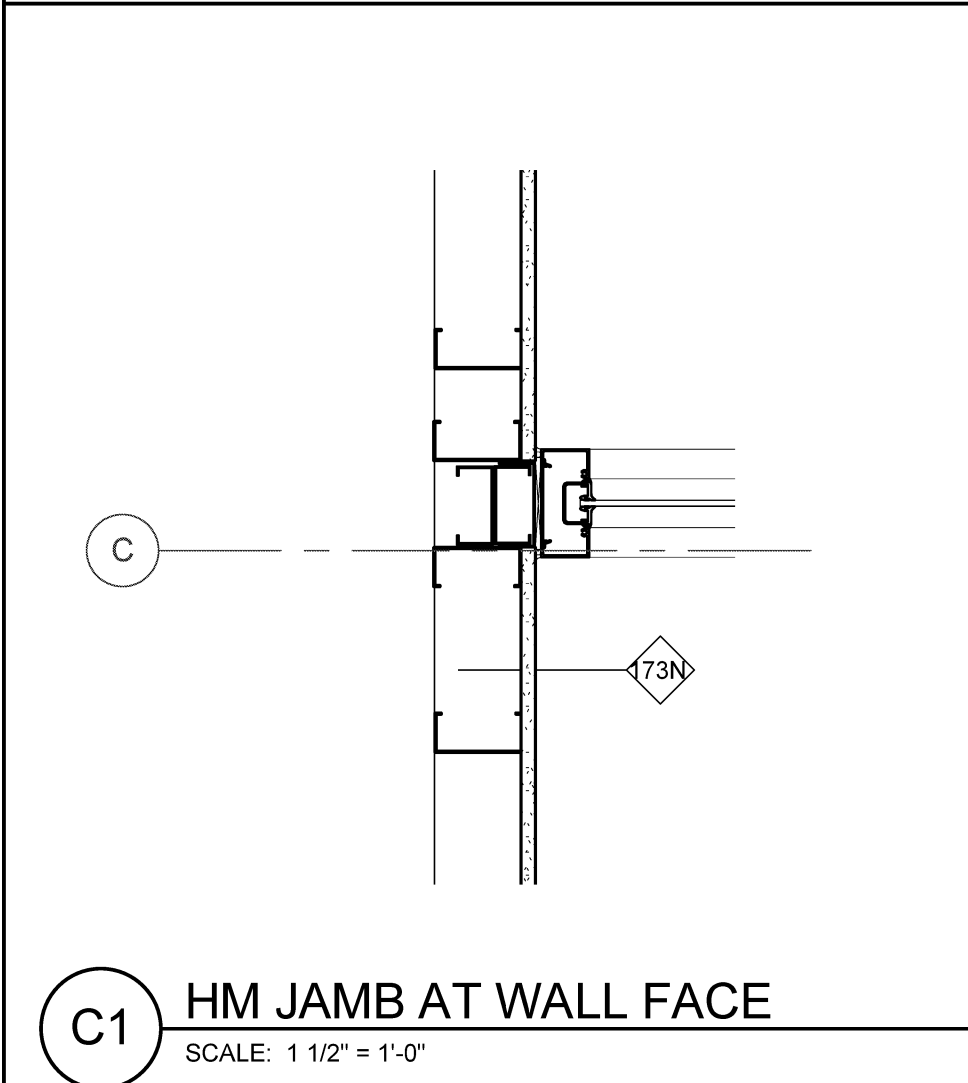
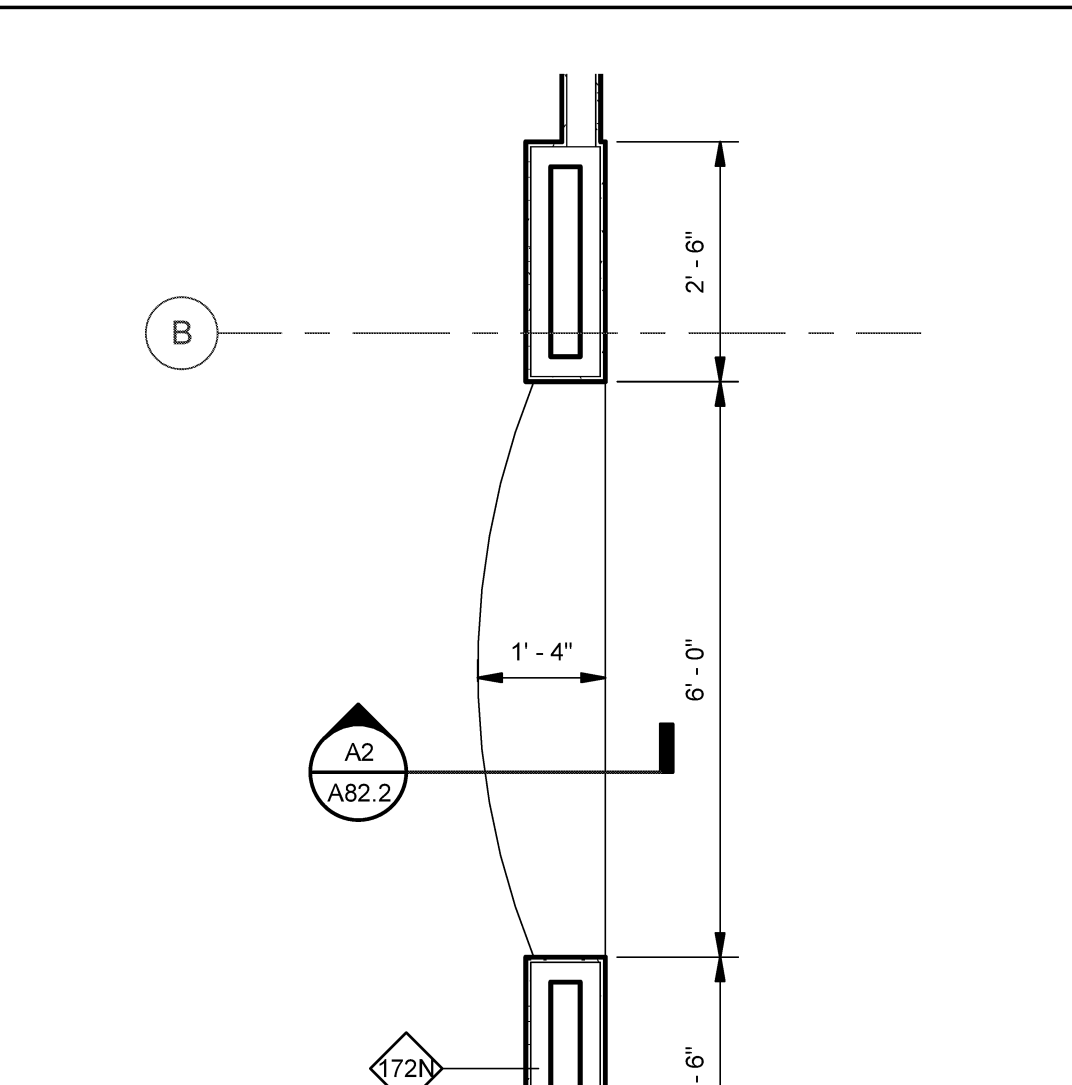
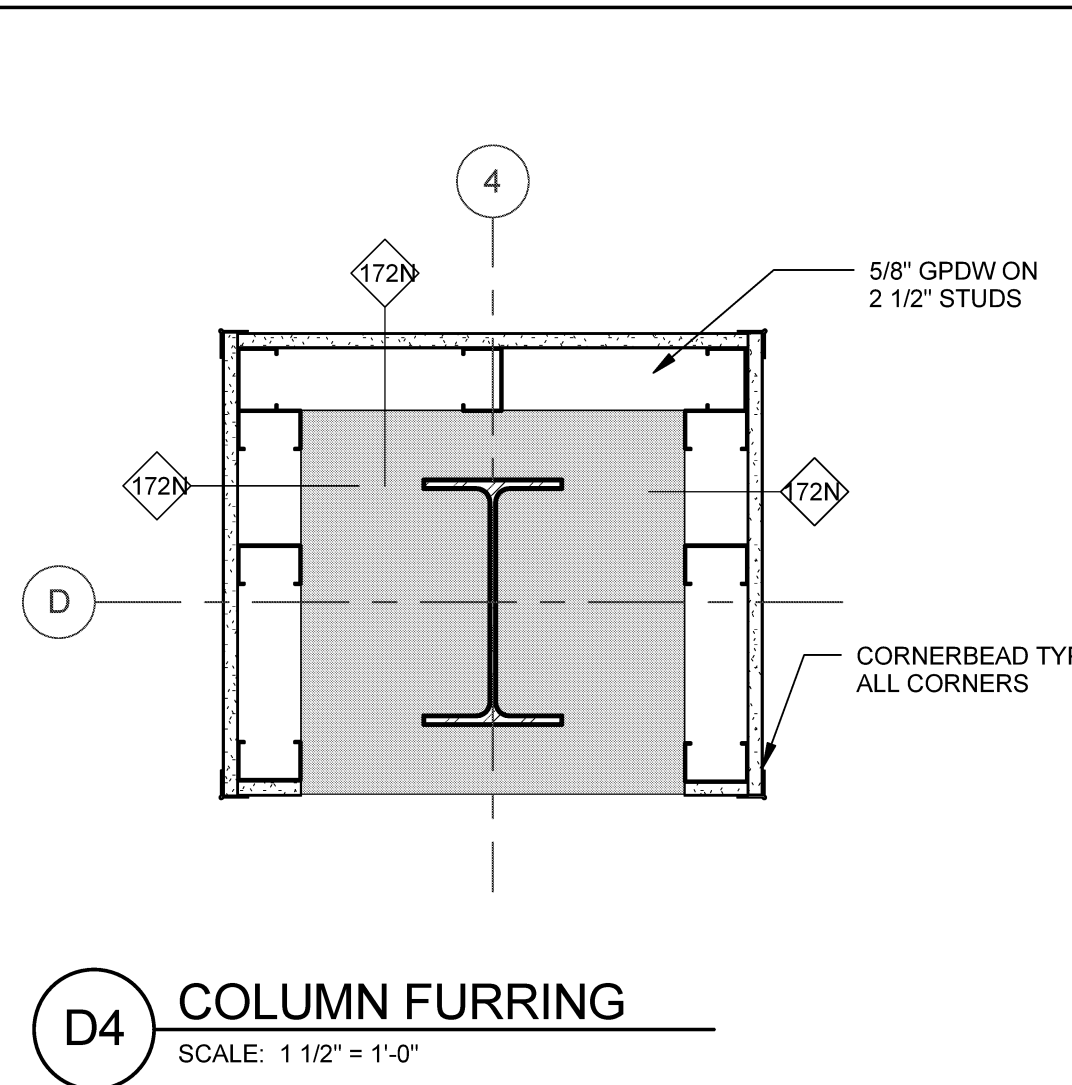
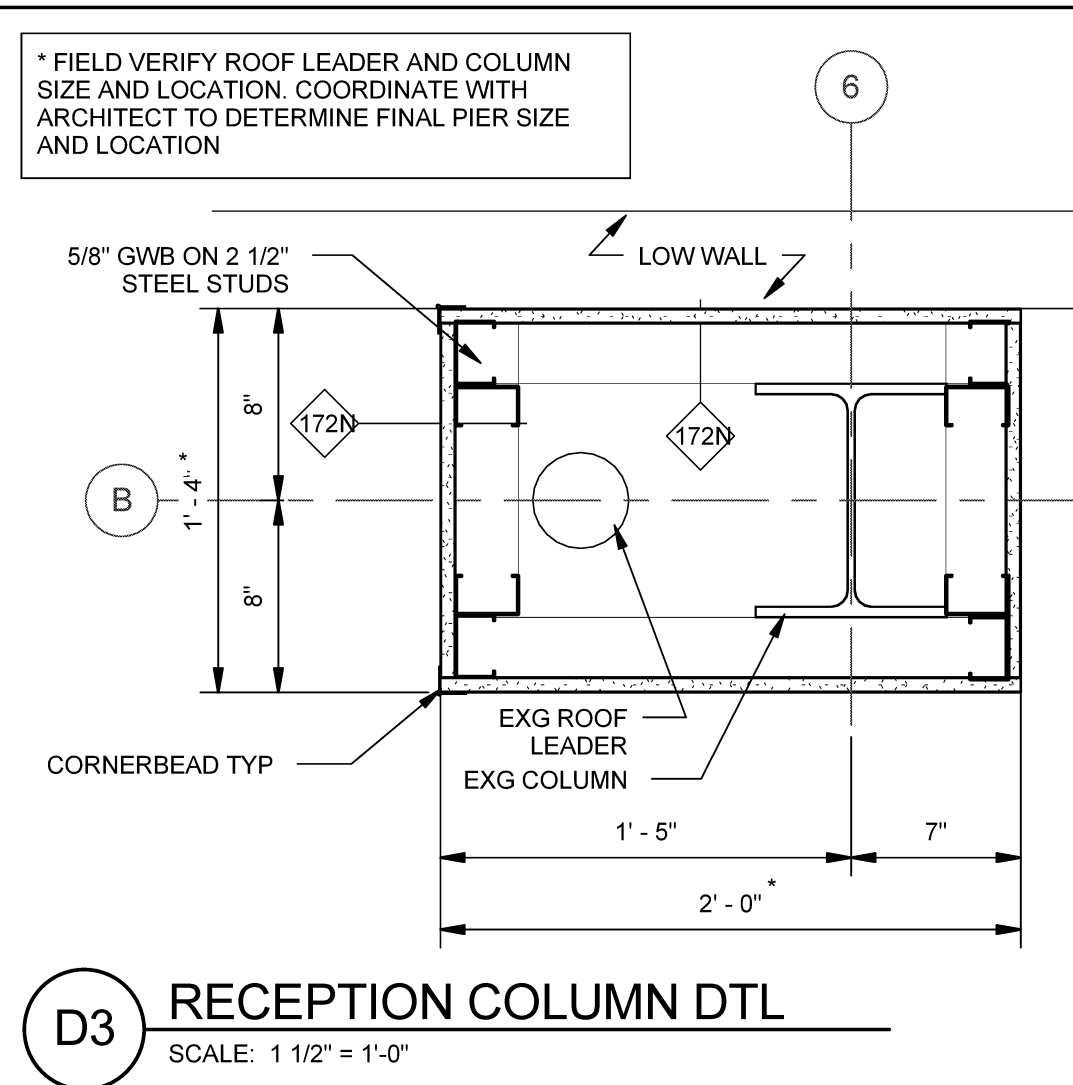
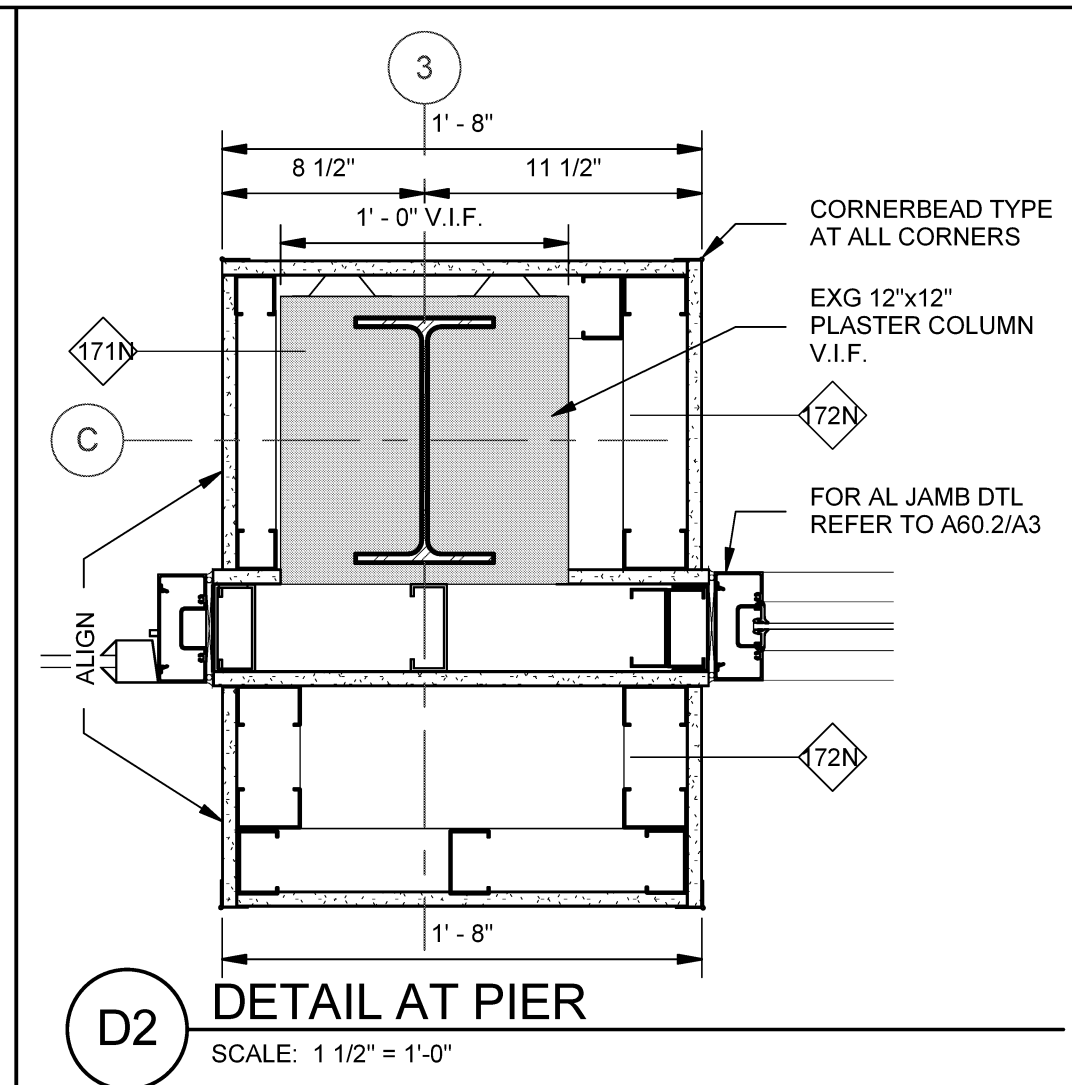
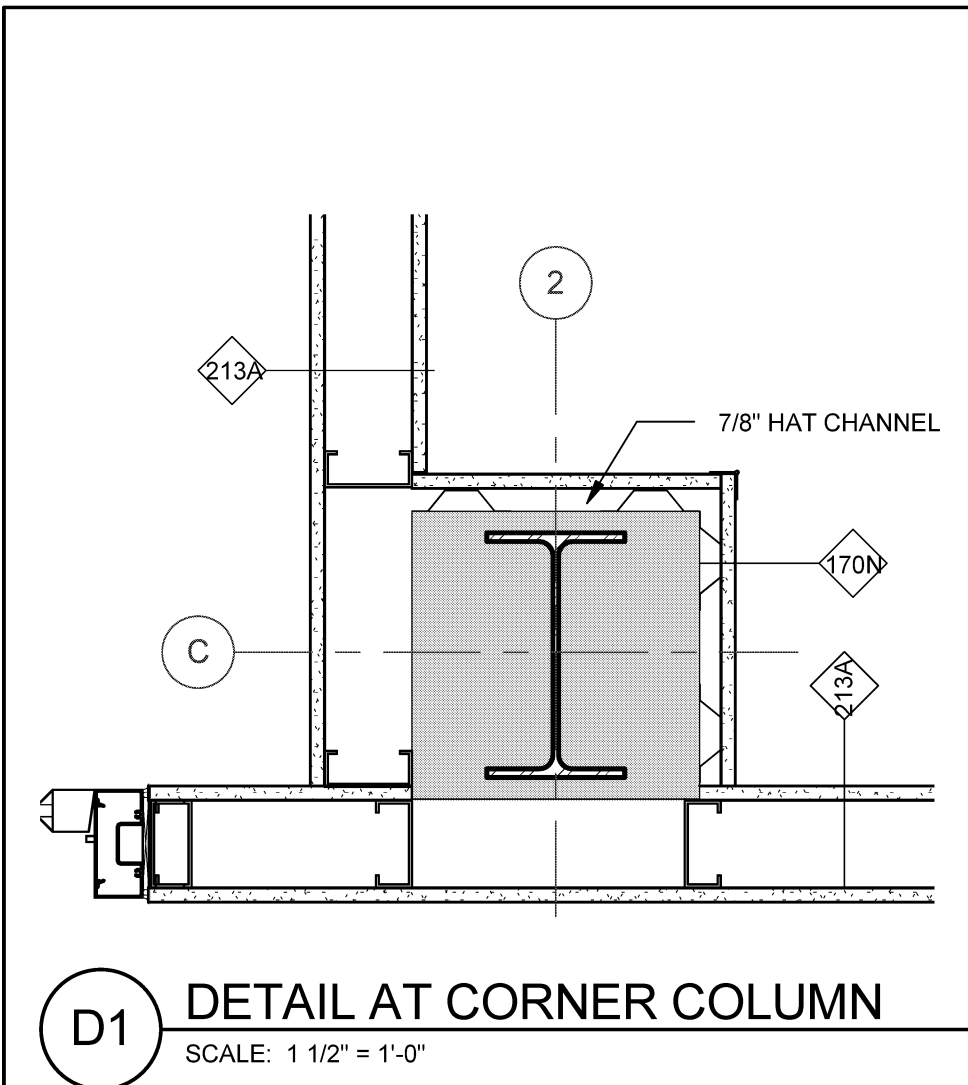
Mark	Date	Description
-	07-09-15	75% REVIEW
--	07-23-15	100% REVIEW
---	08-03-15	OWNER REVIEW
----	08-10-15	ISSUED FOR BID



Drawing Scales	As indicated
PA / PE:	MDL © 2015 Harriman Associates
Drawn By:	MR

INTERIOR DETAILS

A82.1



Plot Date: 8/10/2015 3:06:34 PM