

HARRIMAN

AUBURN PORTLAND MANCHESTER

UNIVERSITY OF SOUTHERN MAINE DEPARTMENT REORGANIZATION PROJECT 2015-011

PORTLAND, MAINE

Harriman Project No. 15457

Key Plan

Proj North

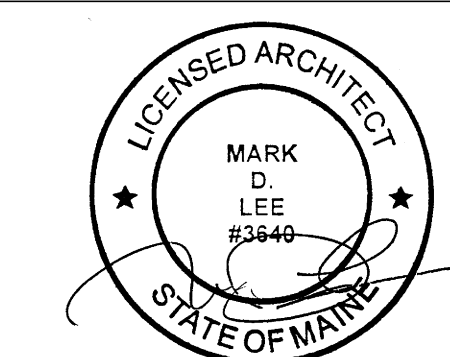


True North



Issues and Revisions

Mark	Date	Description
-	07-09-15	75% REVIEW
--	07-23-15	100% REVIEW
---	08-03-15	OWNER REVIEW
----	08-10-15	ISSUED FOR BID



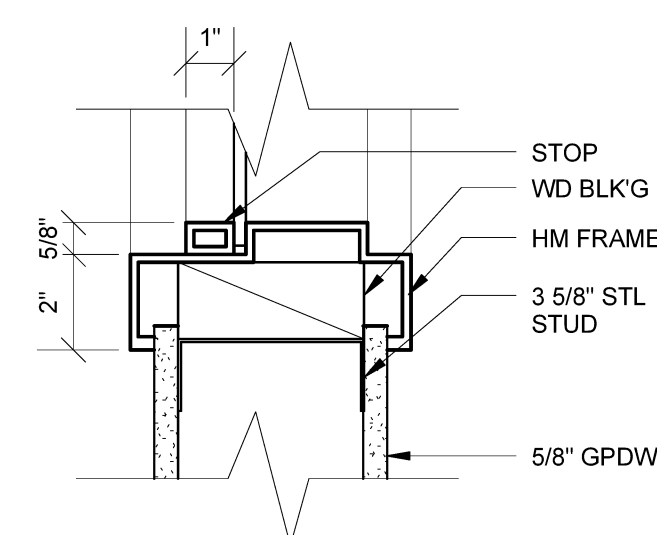
Drawing Scales

Scale	Description
As indicated	

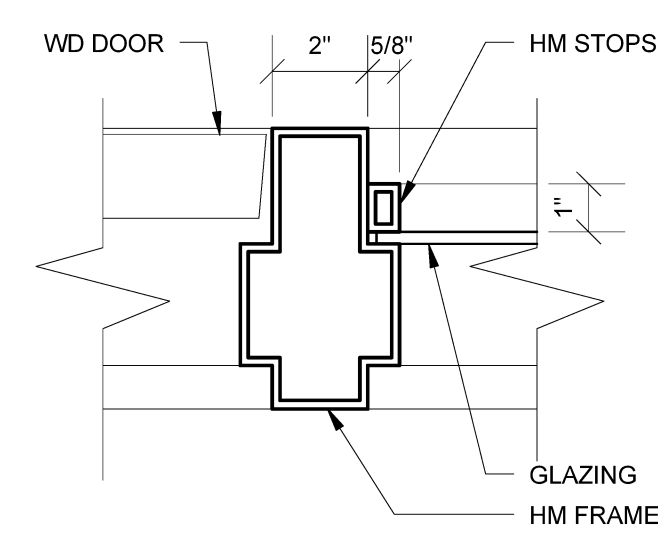
PA / PE: MDL © 2015 Harriman Associates
Drawn By: MR

DOOR FRAME DETAILS

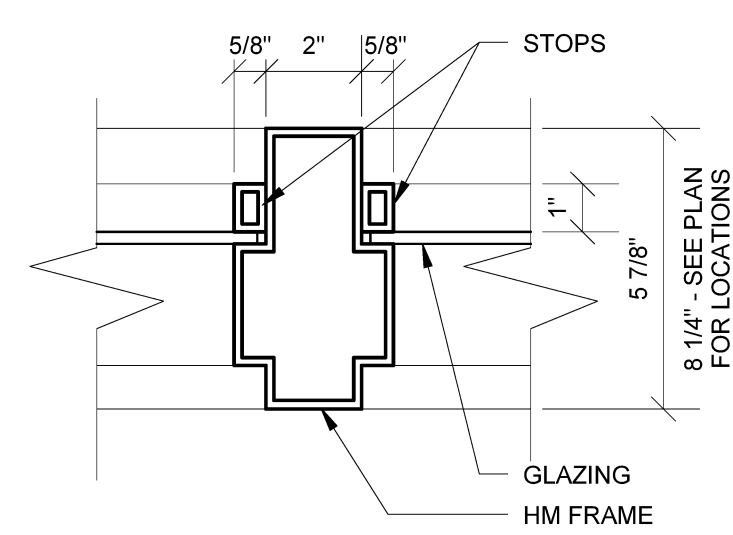
A60.2



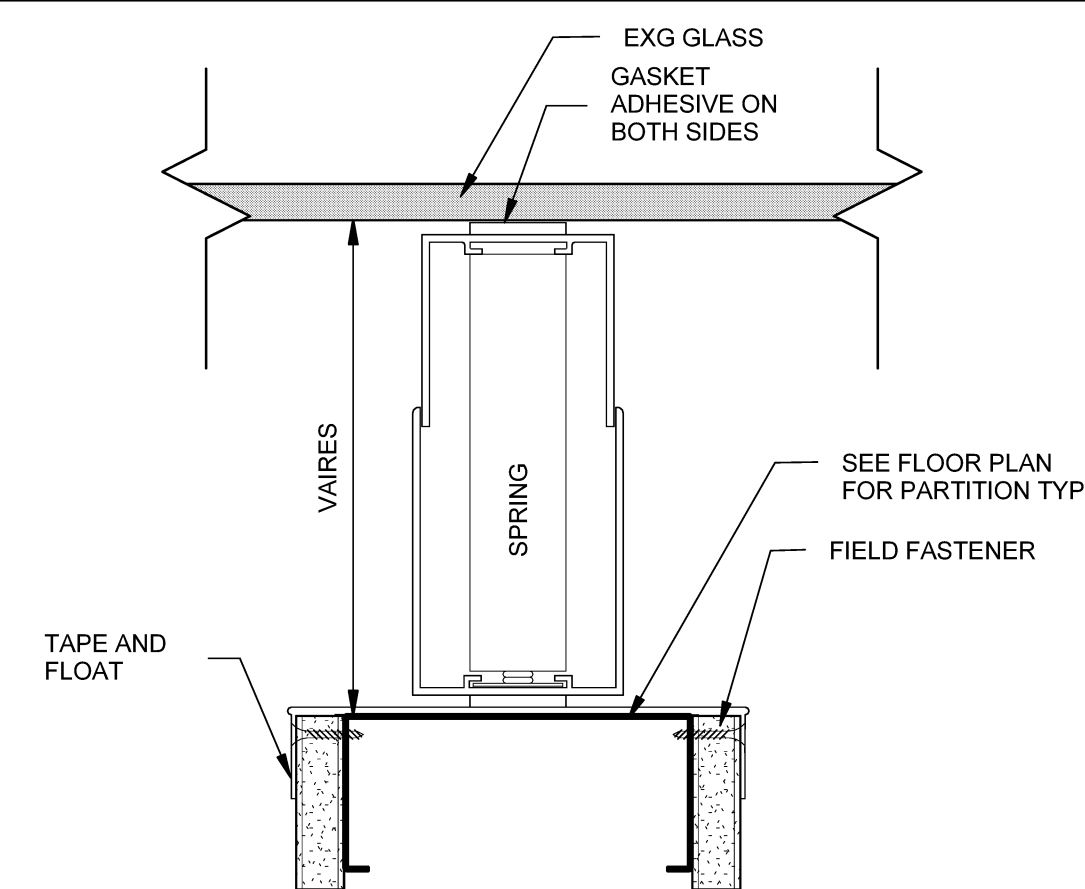
C1 INTERIOR HOLLOW METAL SILL
SCALE: 3" = 1'-0"



C2 INTERIOR HM WINDOW & DOOR JAMB
SCALE: 3" = 1'-0"

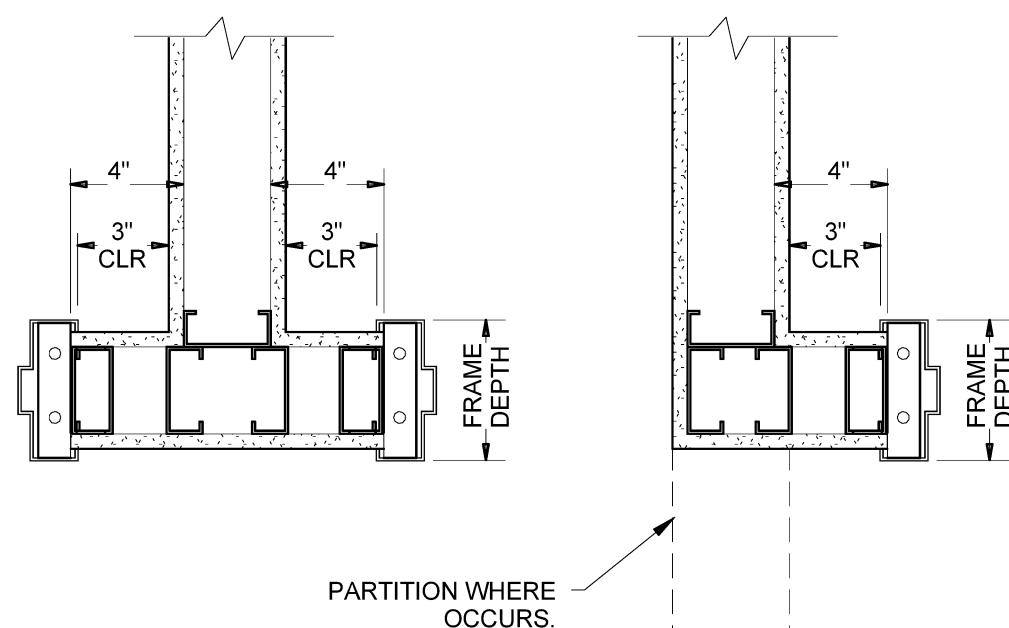


C3 INTERIOR HOLLOW METAL MULLION
SCALE: 3" = 1'-0"

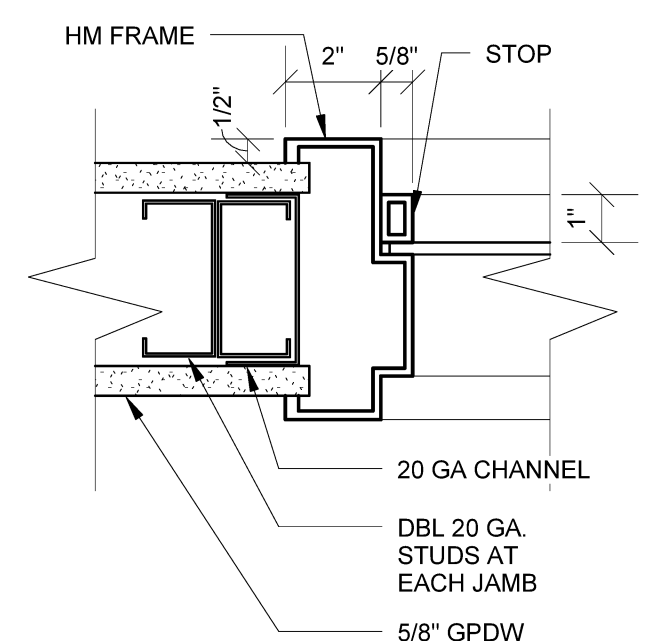


C4 MULLION MATE AT GLASS
SCALE: 6" = 1'-0"

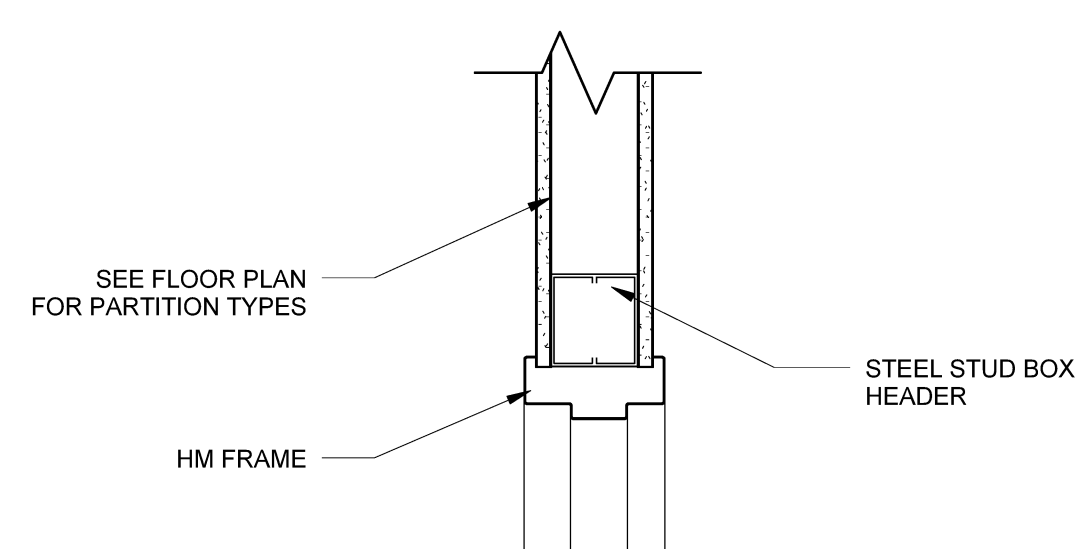
NOTE: DETAILS SHOWN HERE ARE TYPICAL DOOR FRAME LOCATIONS UNLESS NOTED OTHERWISE.



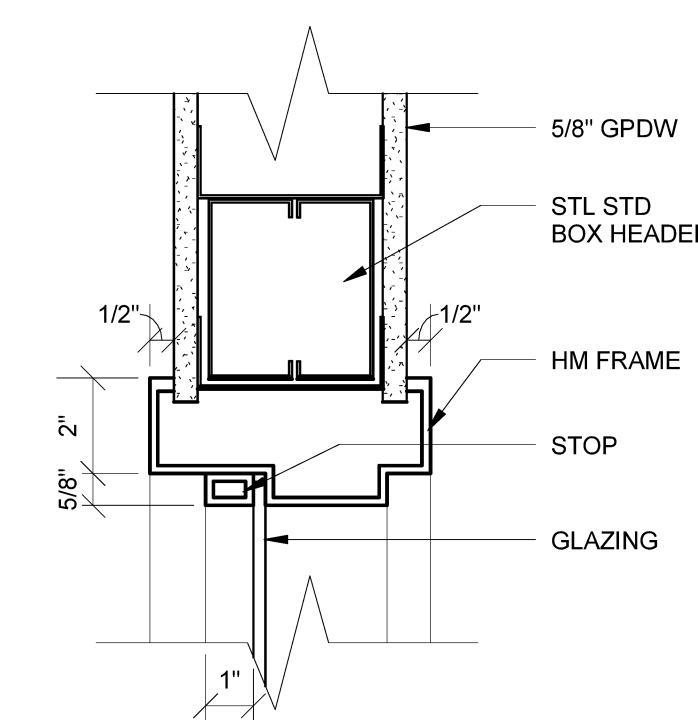
B1 HOLLOW METAL FRAME INSTALLATION
SCALE: 1 1/2" = 1'-0"



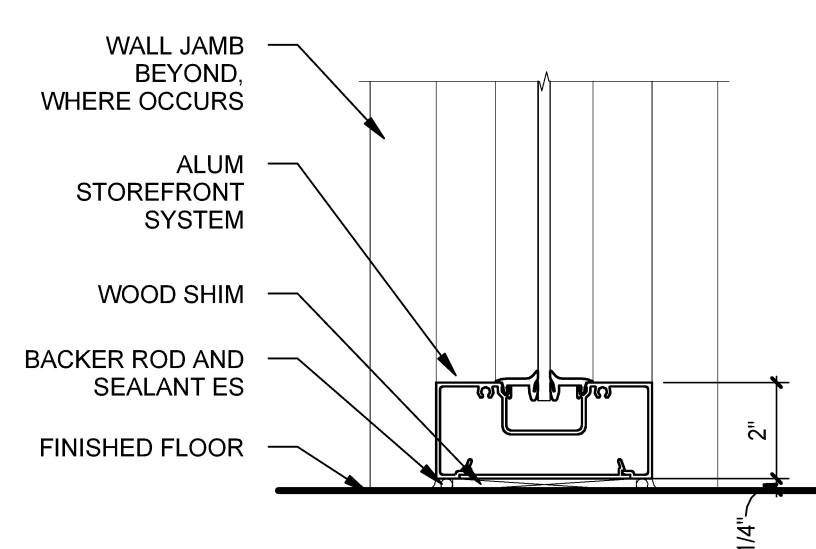
B2 INTERIOR HOLLOW METAL JAMB
SCALE: 3" = 1'-0"



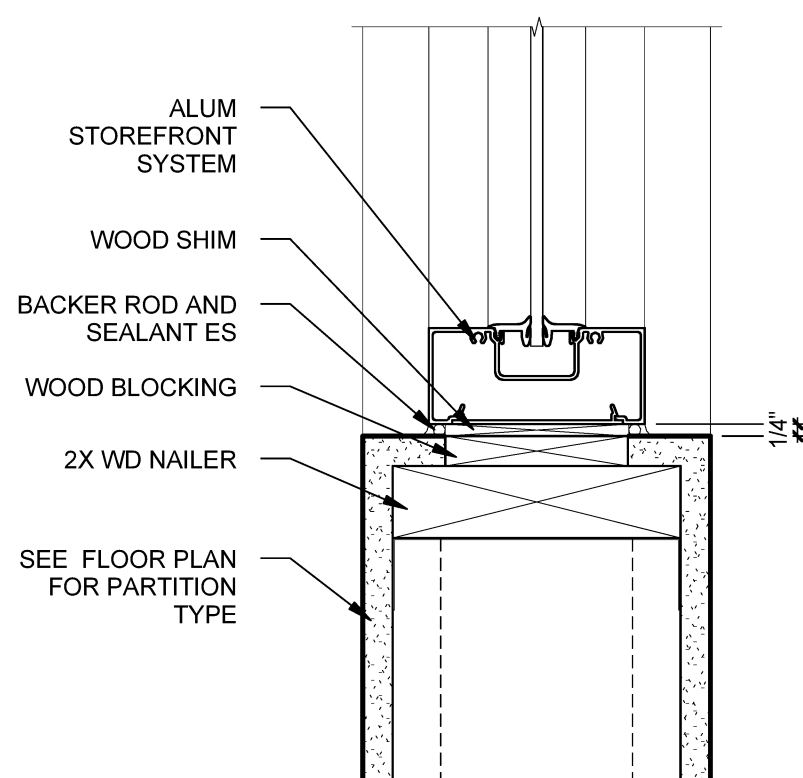
B3 HM DOOR HEAD DETAIL
SCALE: 1 1/2" = 1'-0"



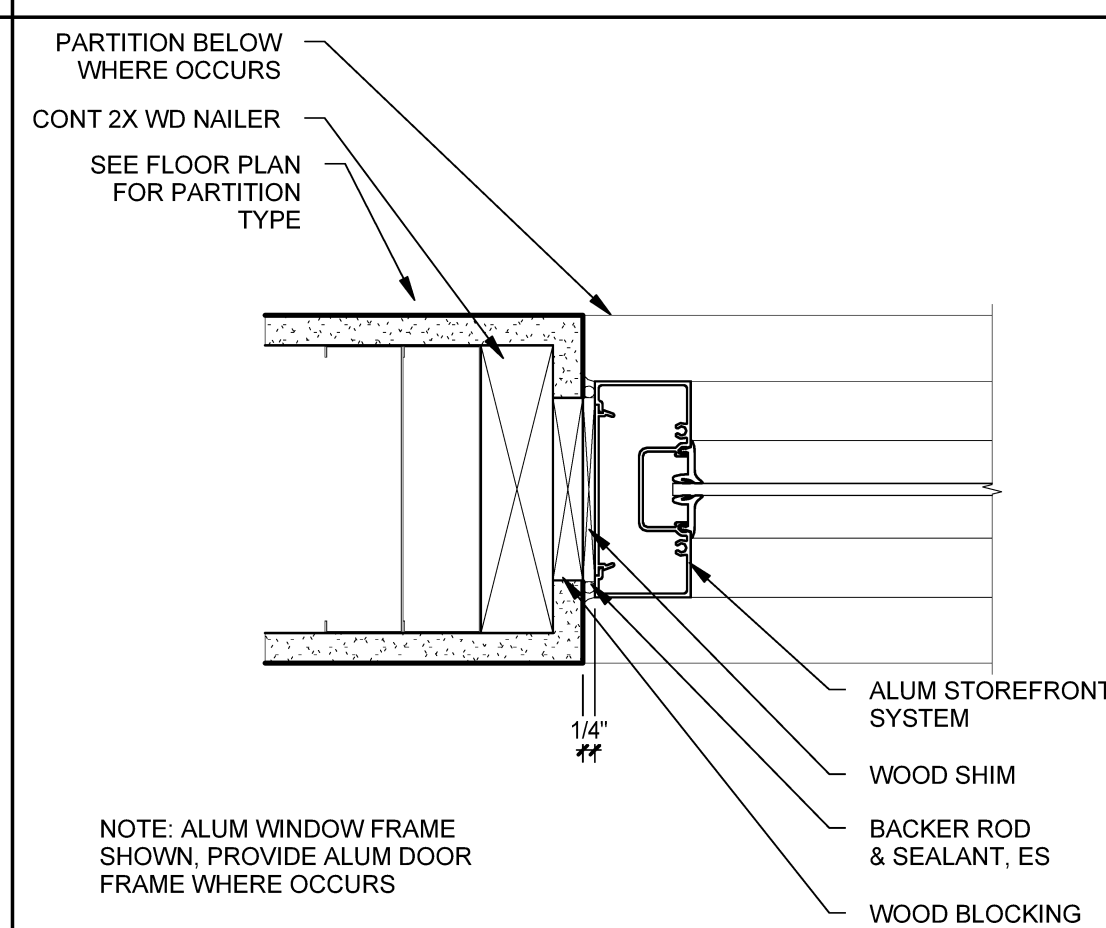
B4 INTERIOR HOLLOW METAL HEAD
SCALE: 3" = 1'-0"



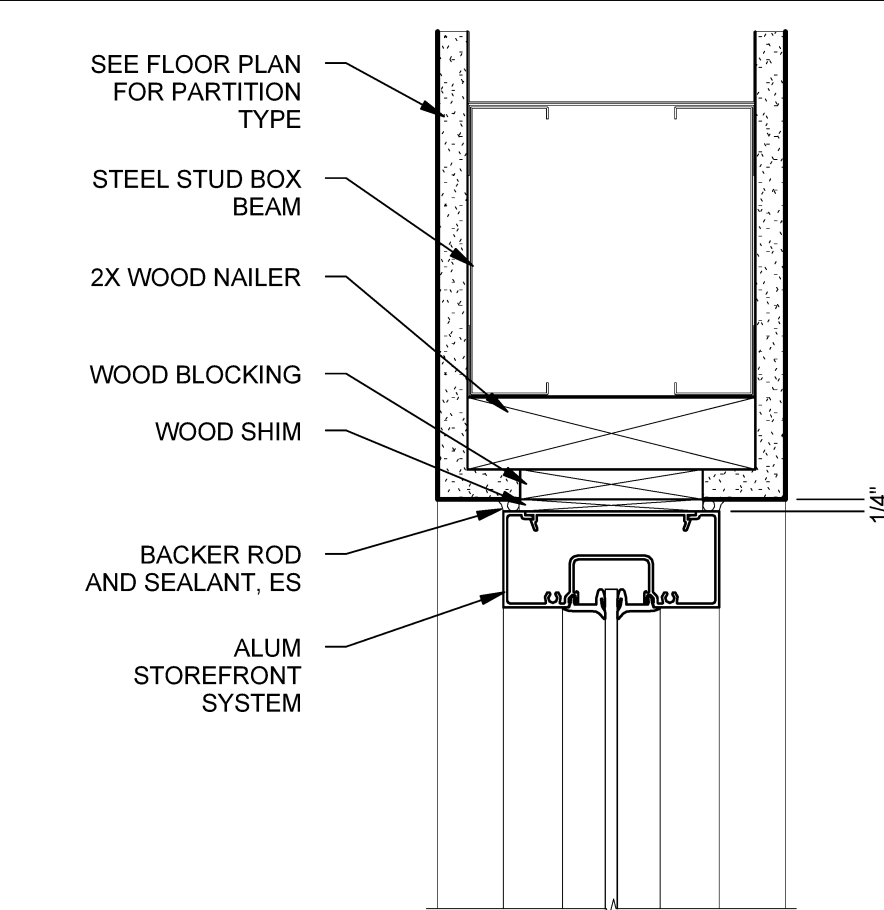
A1 ALUM SILL AT INTERIOR FLOOR
SCALE: 3" = 1'-0"



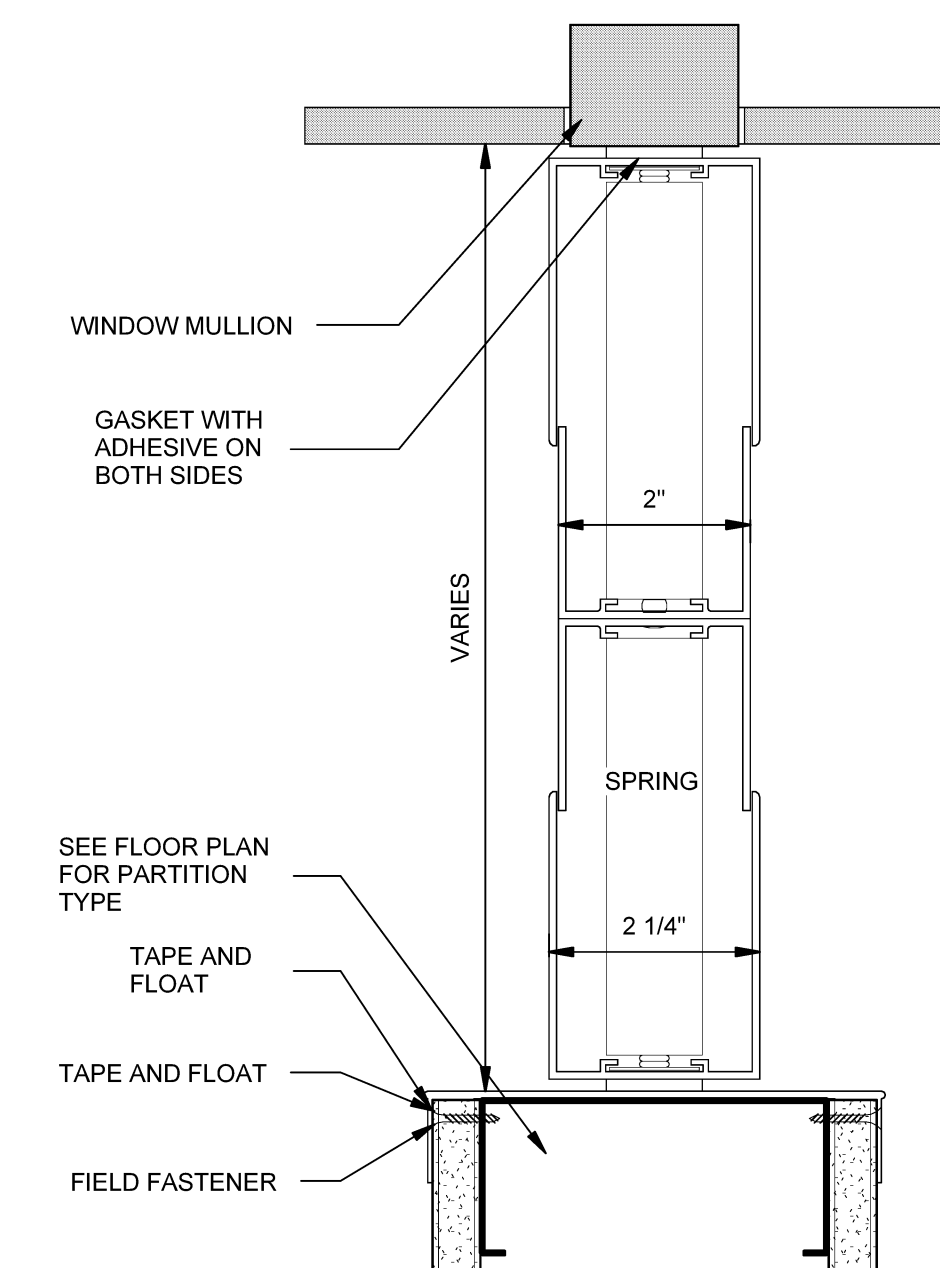
A2 ALUM SILL AT INTERIOR
SCALE: 3" = 1'-0"



A3 ALUM JAMB AT INTERIOR
SCALE: 3" = 1'-0"



A4 ALUM HEAD AT INTERIOR
SCALE: 3" = 1'-0"



A5 MULLION MATE AT MULLION
SCALE: 6" = 1'-0"