

HARRIMAN

AUBURN PORTLAND MANCHESTER

UNIVERSITY OF SOUTHERN MAINE DEPARTMENT REORGANIZATION PROJECT 2015-011

PORTLAND, MAINE

Harriman Project No. 15457

Key Plan

Proj North

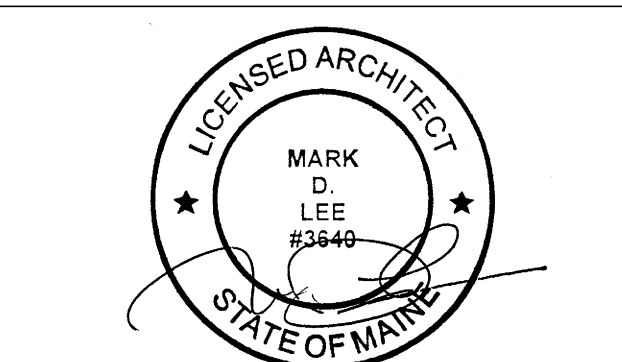


True North



Issues and Revisions

Mark	Date	Description
-	07-09-15	75% REVIEW
--	07-23-15	100% REVIEW
---	08-03-15	OWNER REVIEW
----	08-10-15	ISSUED FOR BID

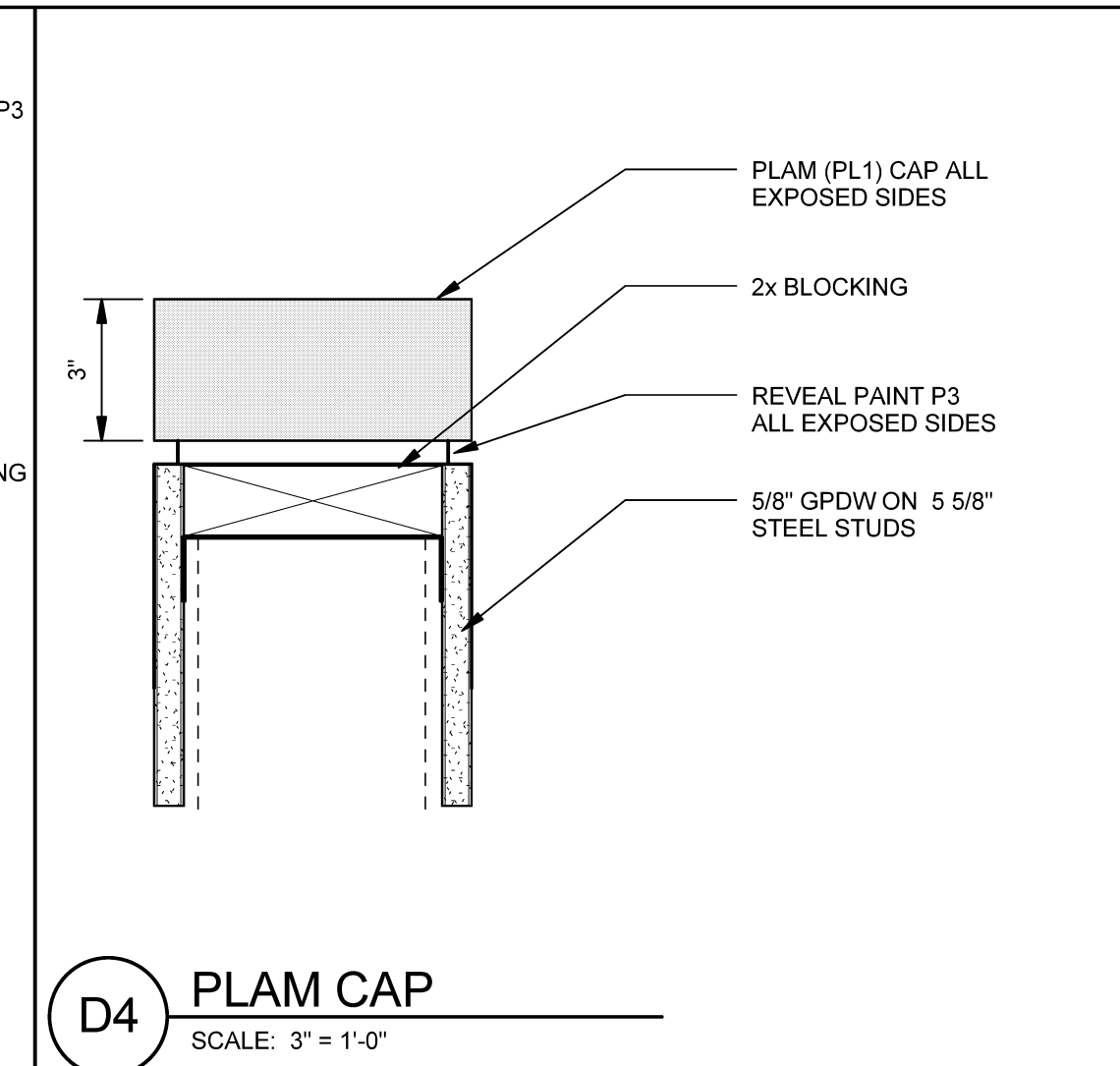


Drawing Scales As indicated

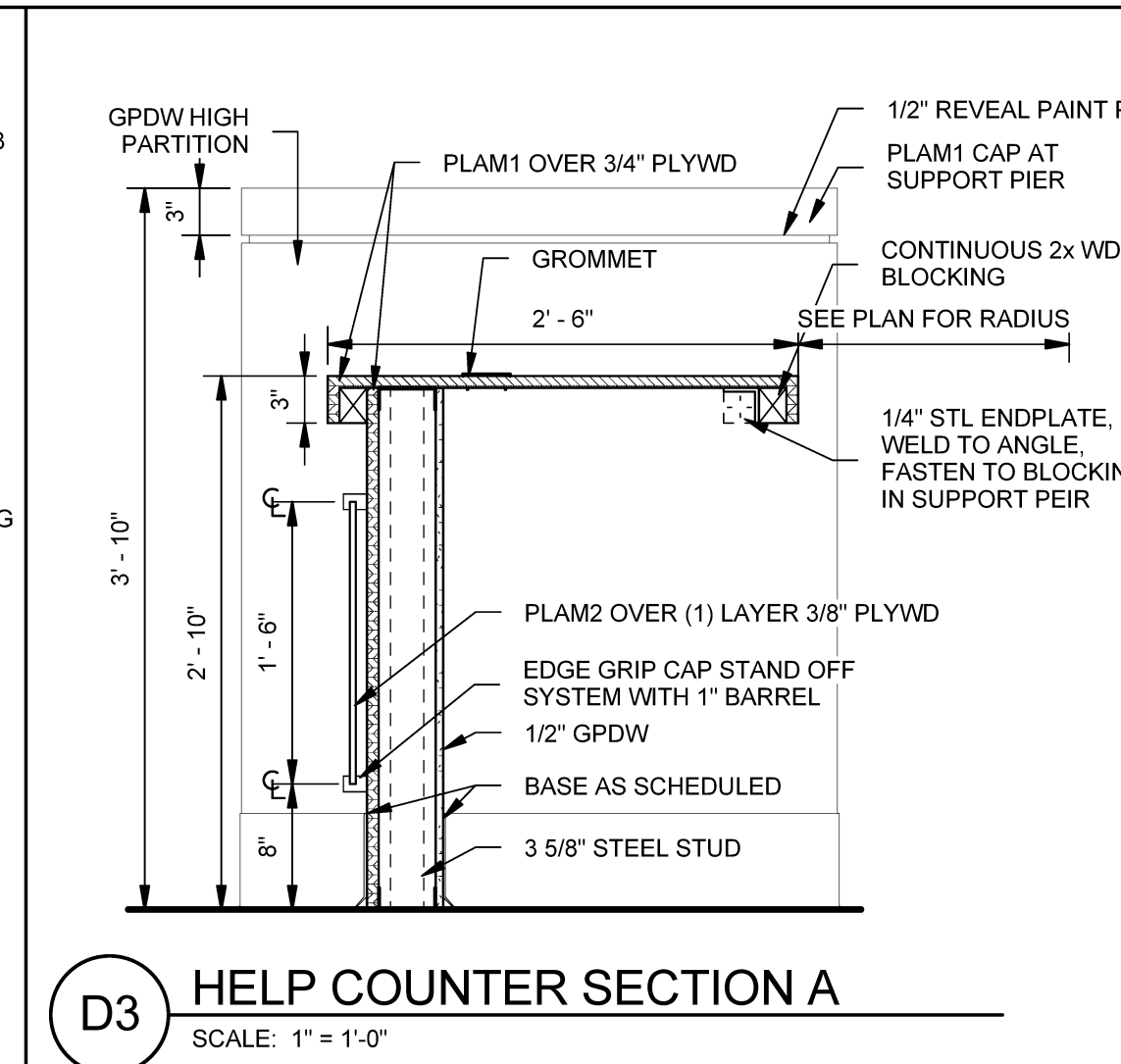
PA / PE: MDL © 2015 Harriman Associates
Drawn By: ERP

THIRD FLOOR PLAN - GLICKMAN

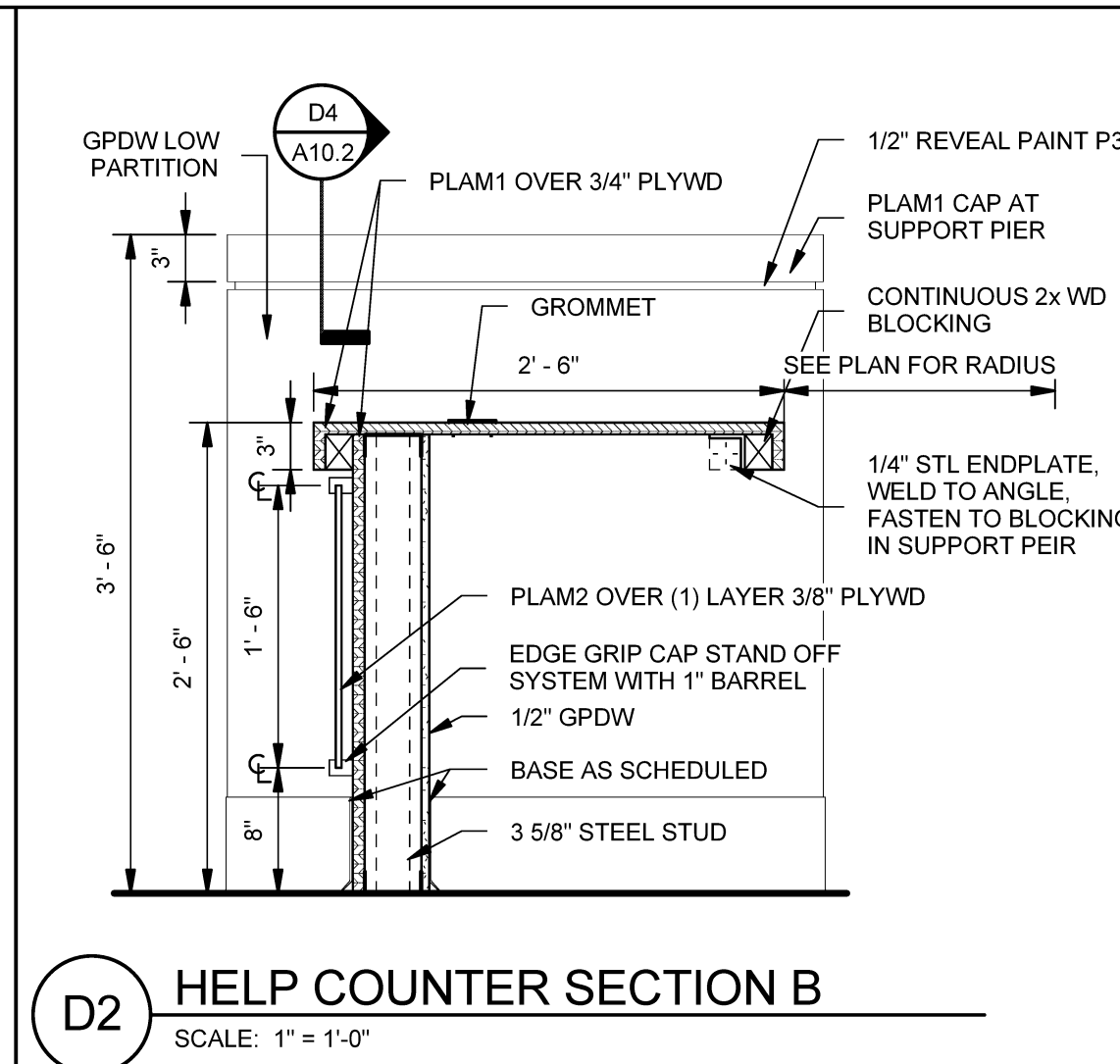
A10.2



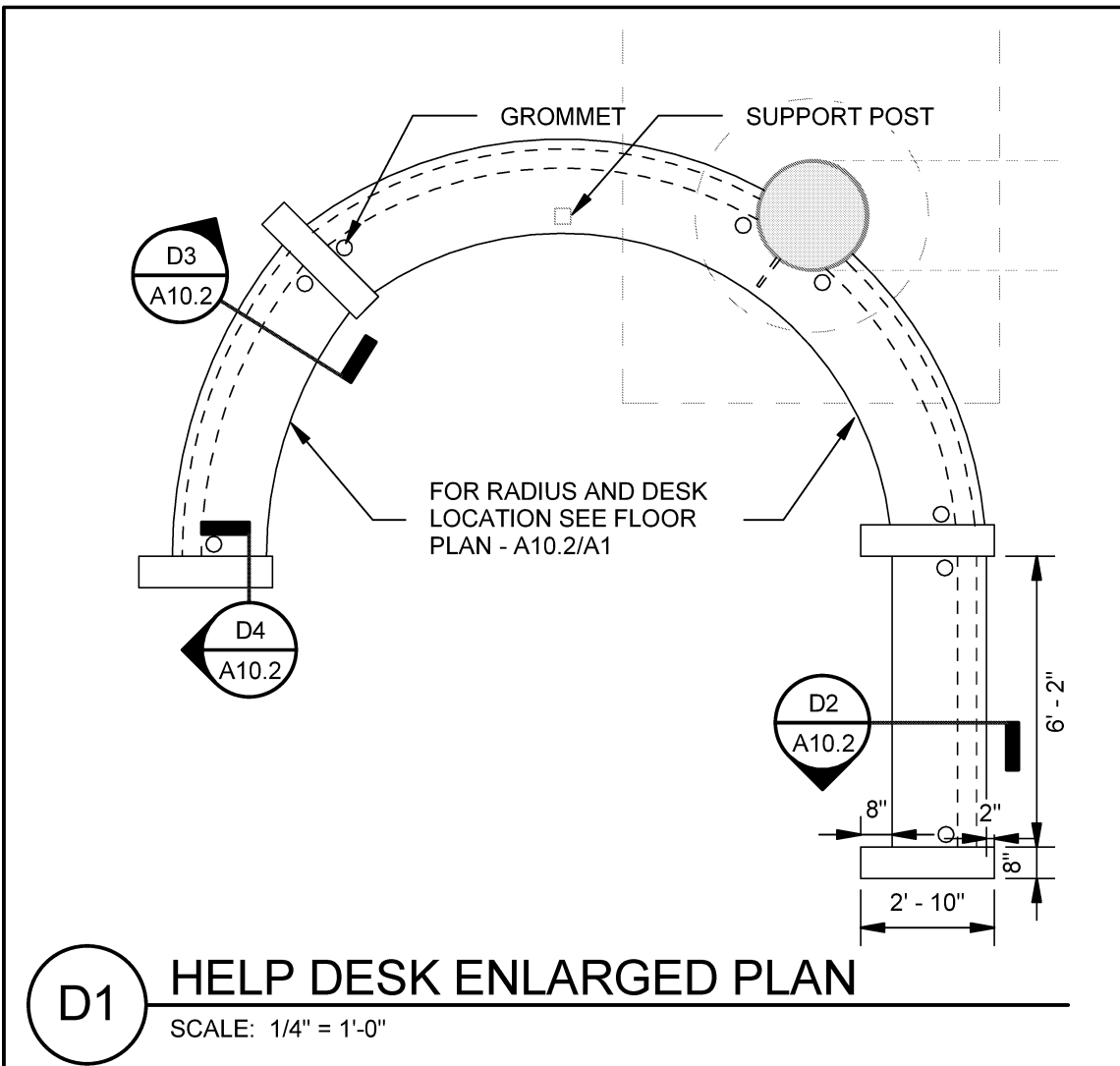
D4 PLAM CAP
SCALE: 3\"/>



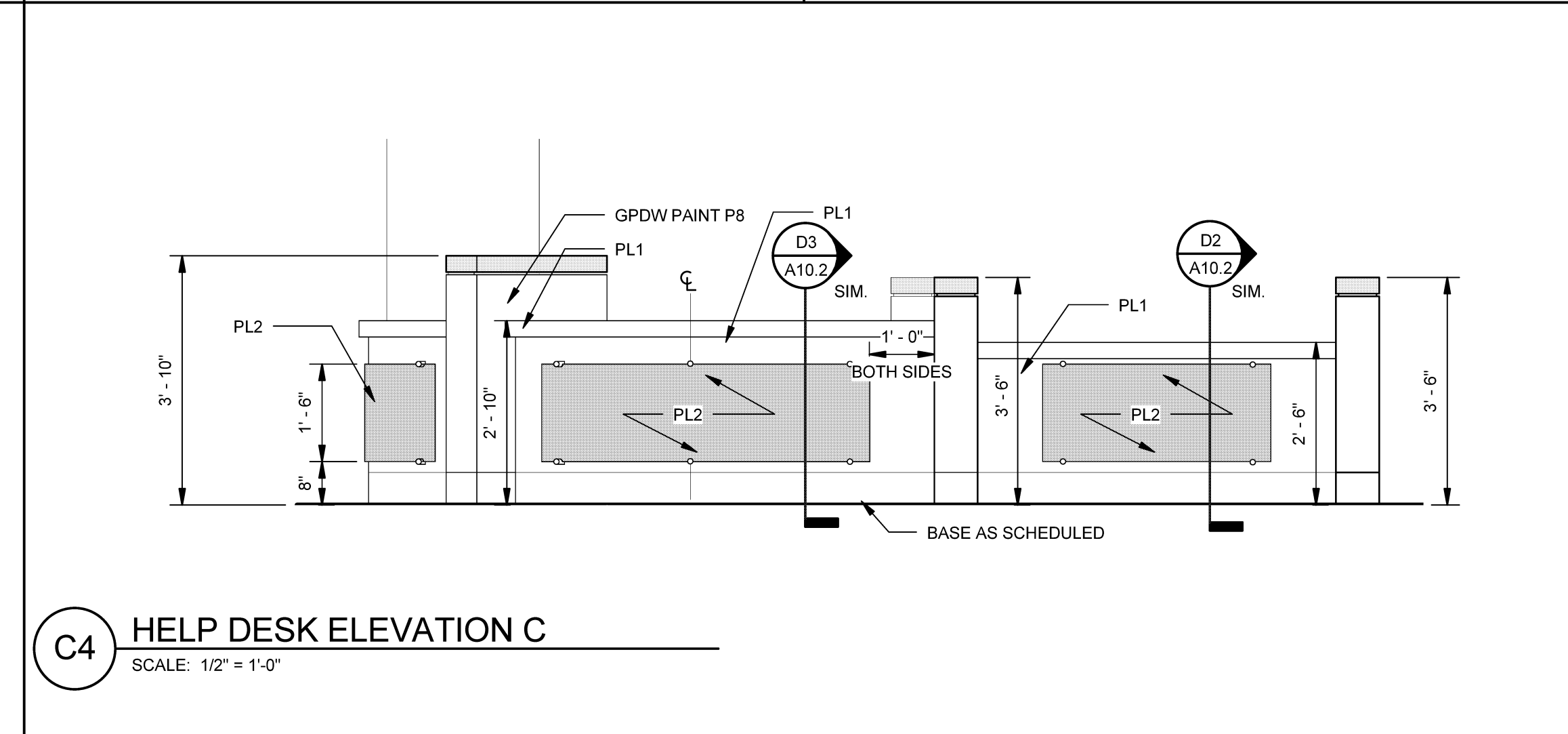
D3 HELP COUNTER SECTION A
SCALE: 1\"/>



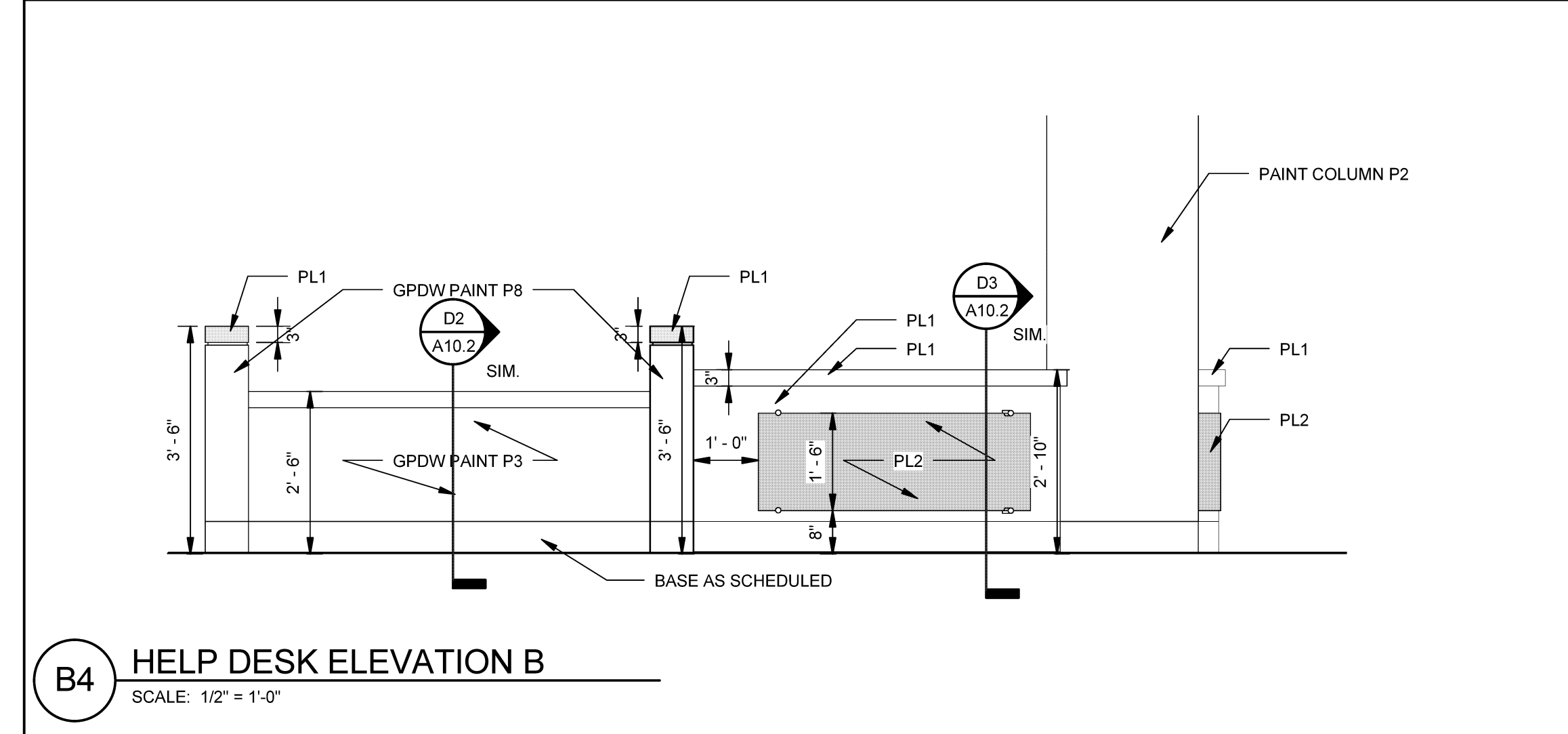
D2 HELP COUNTER SECTION B
SCALE: 1\"/>



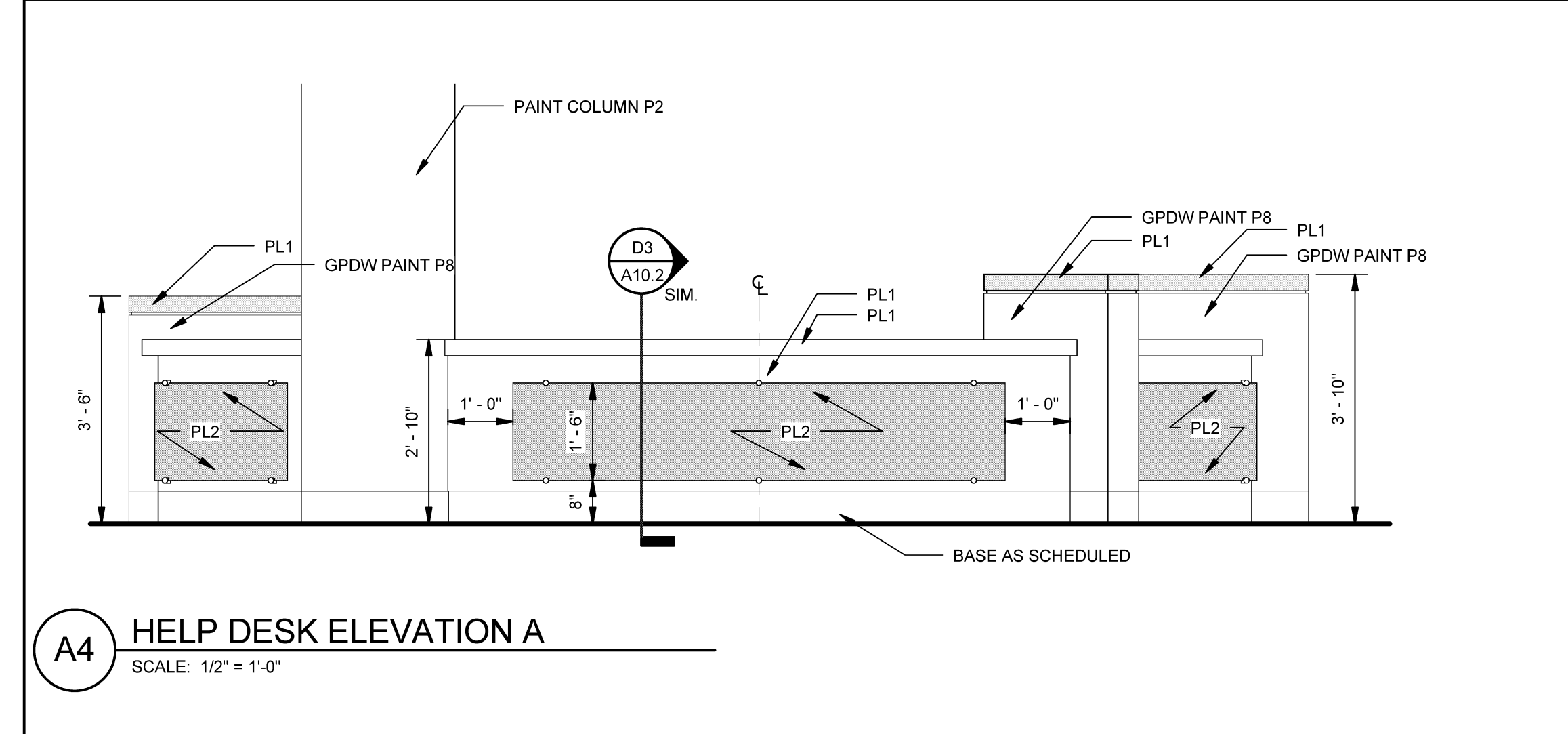
D1 HELP DESK ENLARGED PLAN
SCALE: 1/4\"/>



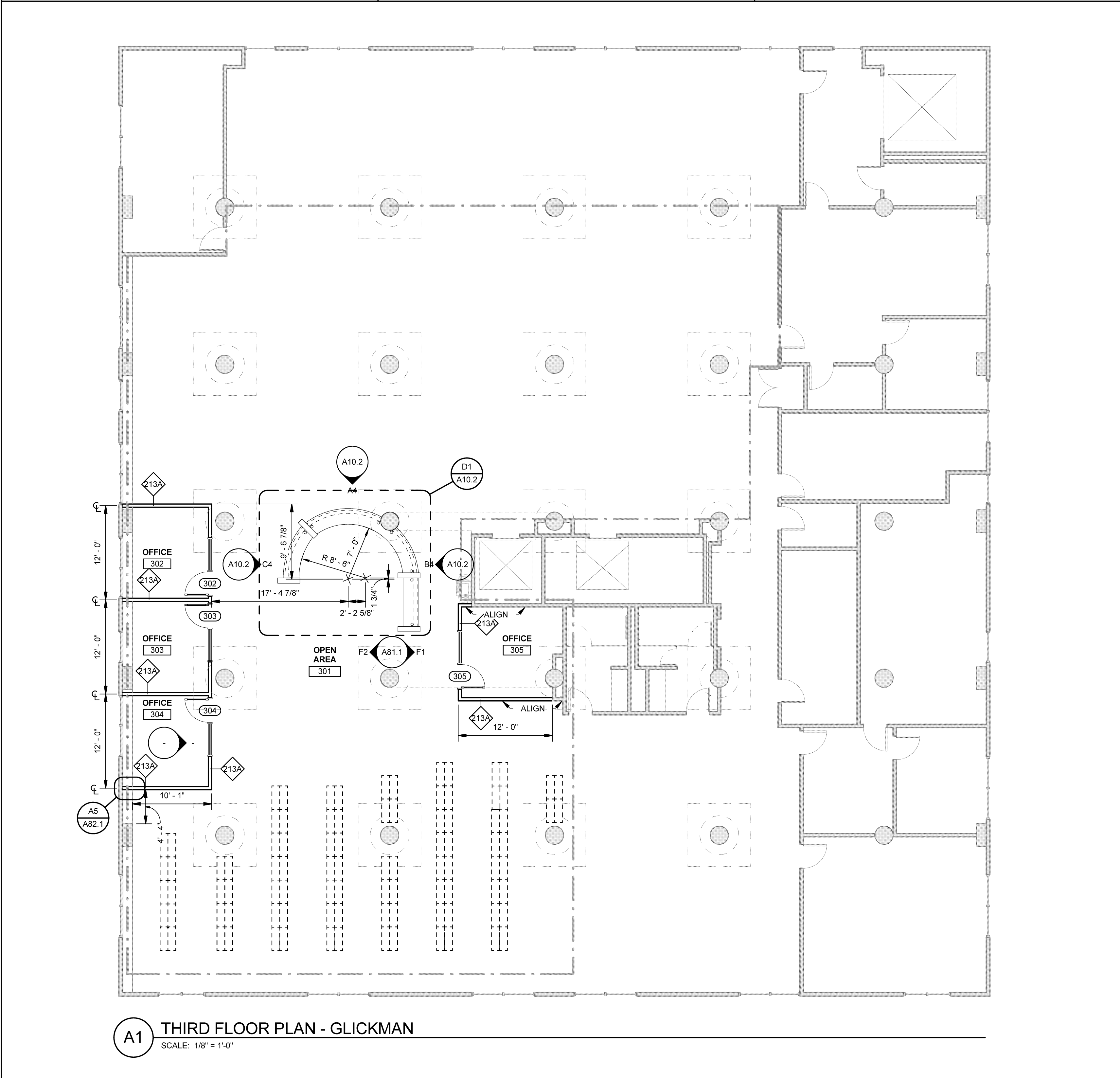
C4 HELP DESK ELEVATION C
SCALE: 1/2\"/>



B4 HELP DESK ELEVATION B
SCALE: 1/2\"/>



A4 HELP DESK ELEVATION A
SCALE: 1/2\"/>



A1 THIRD FLOOR PLAN - GLICKMAN
SCALE: 1/8\"/>