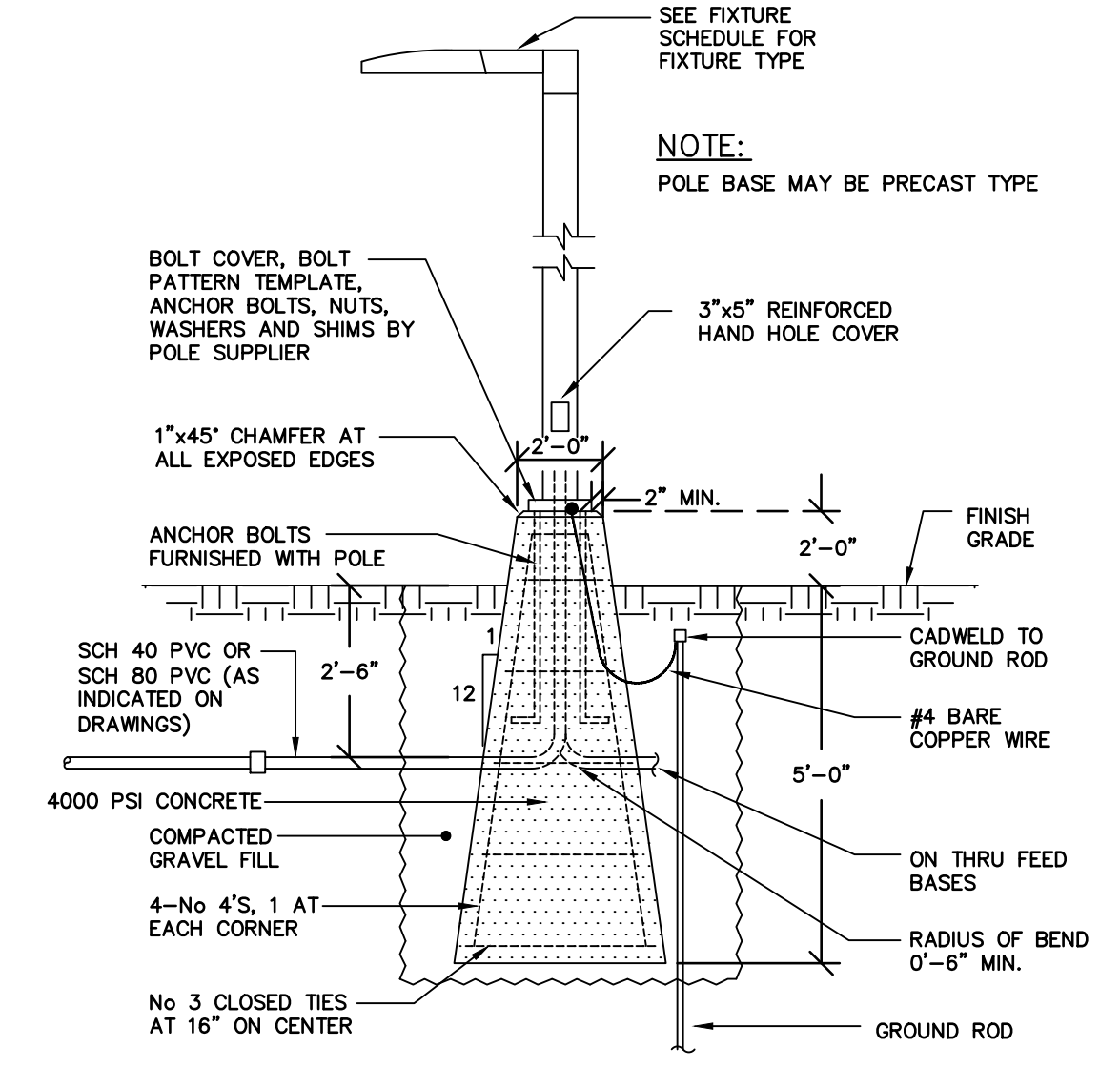


- KEYED NOTES**
- (A) PROVIDE CONDUIT RISER, CONDUCTORS AND WEATHERHEAD ON EXISTING POLE PER CMP STANDARDS. CMP TO MAKE CONNECTIONS.
 - (B) PROVIDE METER SOCKET PER CMP STANDARDS.
 - (C) PROVIDE 1-2" AND 1-4" CONDUIT FOR COMMUNICATIONS, STUB UP 6" INTO ELECTRIC ROOM.
 - (D) PROVIDE SLEEVES THROUGH FOUNDATION, COORDINATE WITH CONCRETE INSTALLER.
 - (E) PROVIDE TWO 1" CONDUITS FOR TANK LEVEL ALARM COMMUNICATION BETWEEN PROPANE TANK AND PRESSURE REGULATING VALVE. COORDINATE EXACT LOCATION WITH GAS INSTALLER. PROVIDE IN TRENCH WITH GAS PIPING, MINIMUM 1'-0" SEPARATION FROM GAS PIPING.

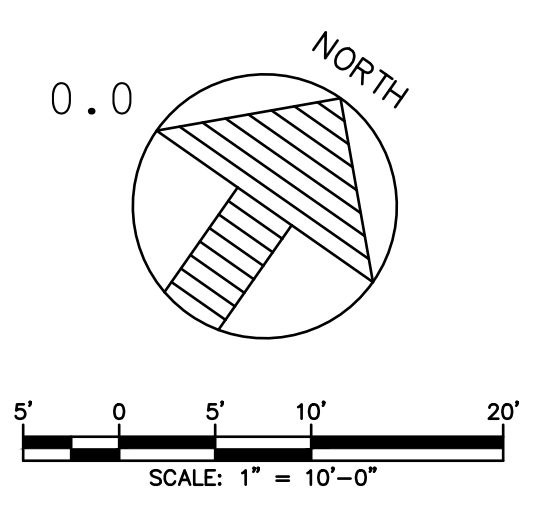


POLE BASE DETAIL
NO SCALE

Calculation Summary

Label	CalcType	Units	Avg	Max	Min
CalcPts 1	Illuminance	Fc	1.84	19.2	0.0

93 94 95	COOPER LED AREA FIXTURE CAT# GLEON-AE-01-LED-E1-T3/T4/T7/ 5M2-AP: 93 w/TYP 3 DIST, 94 w/TYP 4 FORWARD THROW, 95 w/TYP 5 MEDIUM SQUARE. GRAY (SILVER) COLOR, ALUMINUM SQUARE POLE.	UNIV	POLE MOUNT 20' AFG, WITH 2' BASE	LED INCLUDED
----------	---	------	----------------------------------	--------------

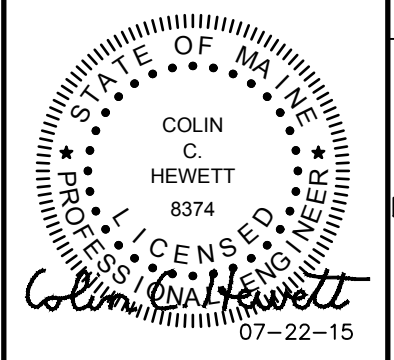


Hewett & Whitney
ENGINEERS & DESIGNERS
ELECTRICAL & MECHANICAL SYSTEMS
161 MAIN STREET WINTHROP, MAINE
Tel 207-377-6969 Fax 207-377-7584
PLOT DATE: Aug 12, 2015

NO.	DATE	DESCRIPTION

ISSUE FOR CONSTRUCTION
07.22.15

TAC Architectural
Group Inc.



BSB - MARGINAL WAY
PORTLAND, MAINE

PROJECT NO: 1502
CAD DWG FILE: Elec-SitePlan.dwg
DRAWN BY: ELH/CCH
CHK'D BY: CCH
COPYRIGHT: 2015

SHEET TITLE
**ELECTRICAL SITE
PHOTOMETRIC PLAN**

ES101