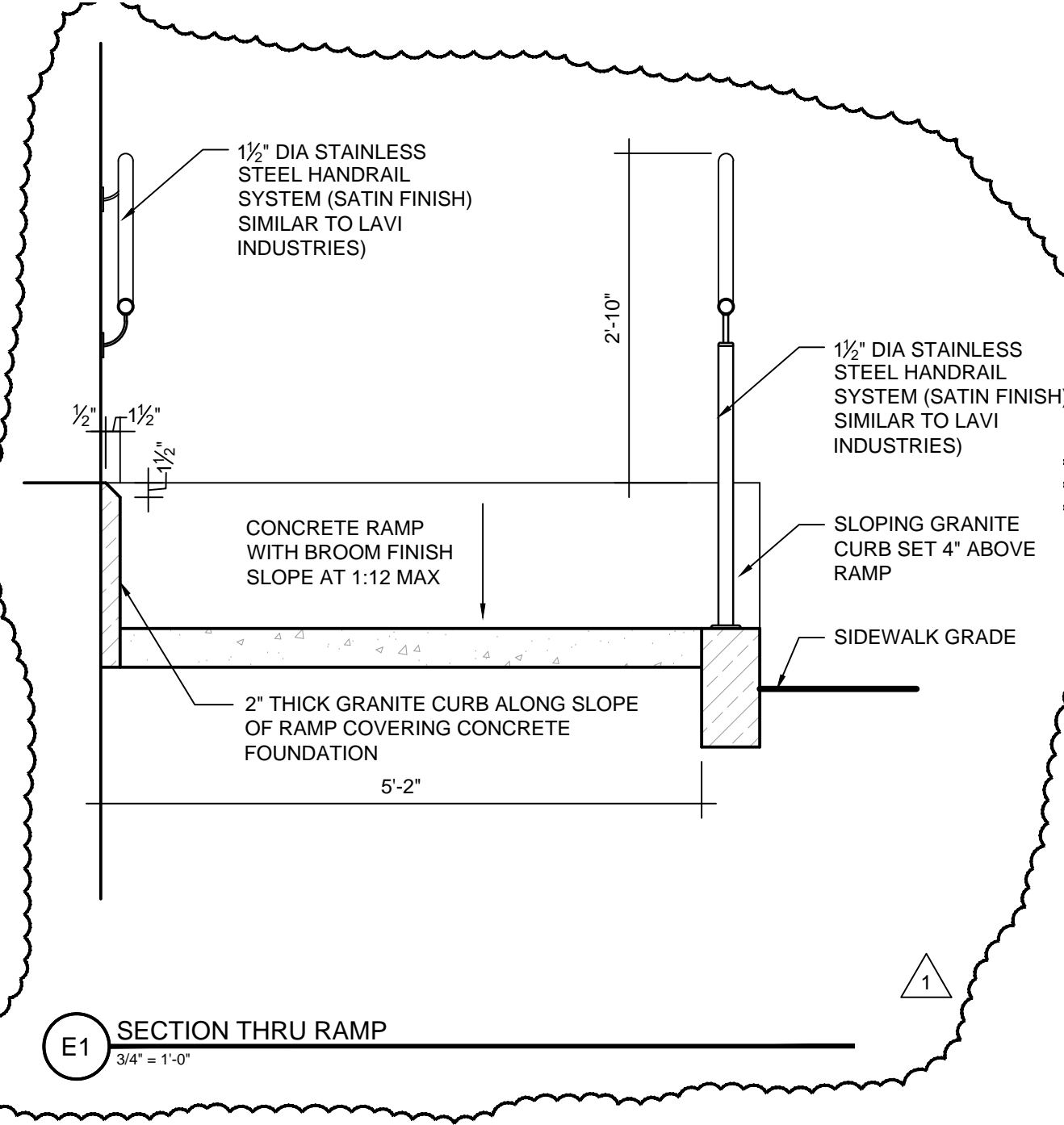
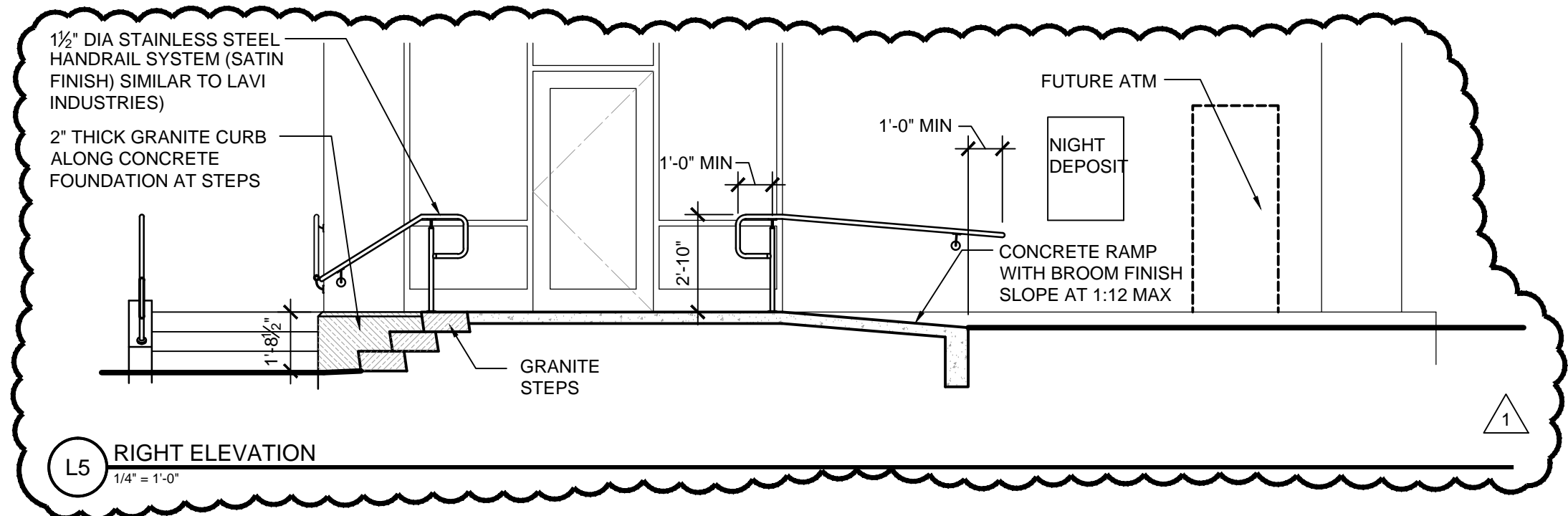


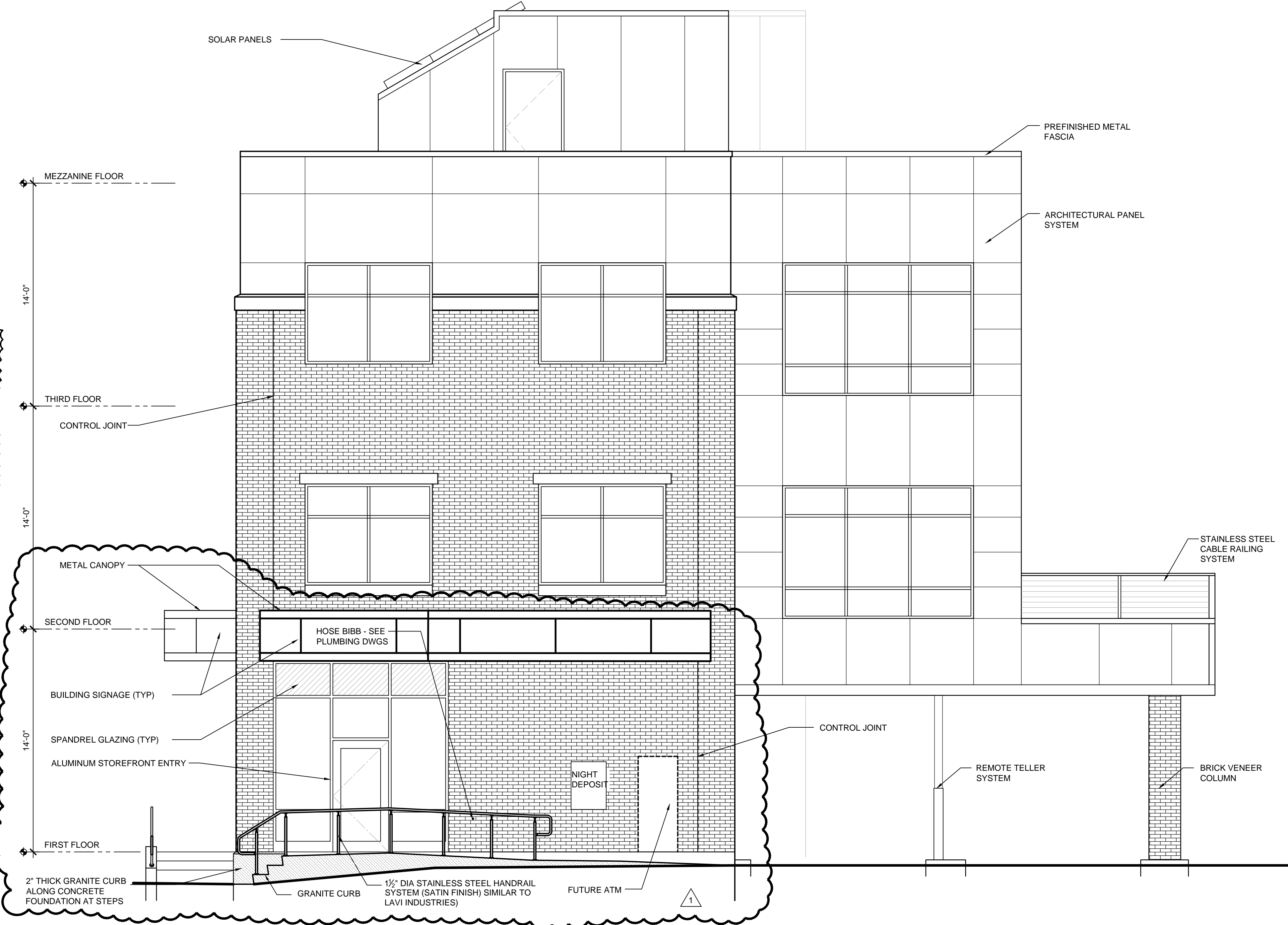
J1 SECTION THRU 2" GRANITE  
3/4" = 1'-0"



E1 SECTION THRU RAMP  
3/4" = 1'-0"



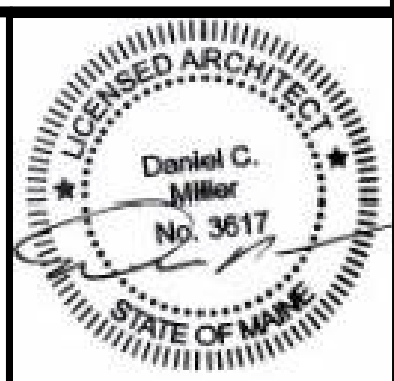
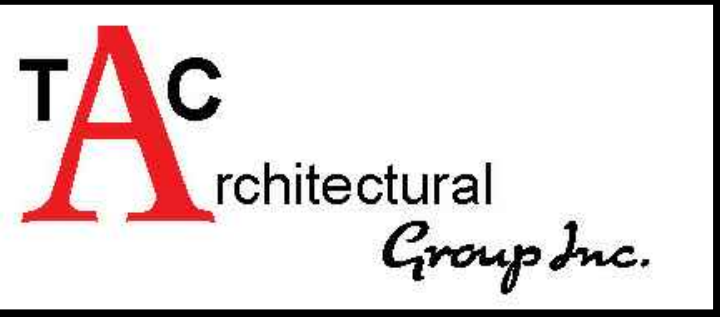
L5 RIGHT ELEVATION  
1/4" = 1'-0"



A1 RIGHT ELEVATION  
1/4" = 1'-0"

NO.	DATE	DESCRIPTION
1	12.03.15	ASI #006
0	03.31.15	SCHEMATIC DESIGN

ISSUED FOR CONSTRUCTION  
07.22.15



BSB - MARGINAL WAY  
PORTLAND, MAINE

PROJECT NO:	14-007
CAD DWG FILE:	AE202 EXTERIOR ELEVATIONS.DWG
DRAWN BY:	CRJ
CHK'D BY:	DCM
COPYRIGHT:	2015

EXTERIOR ELEVATIONS

AE202