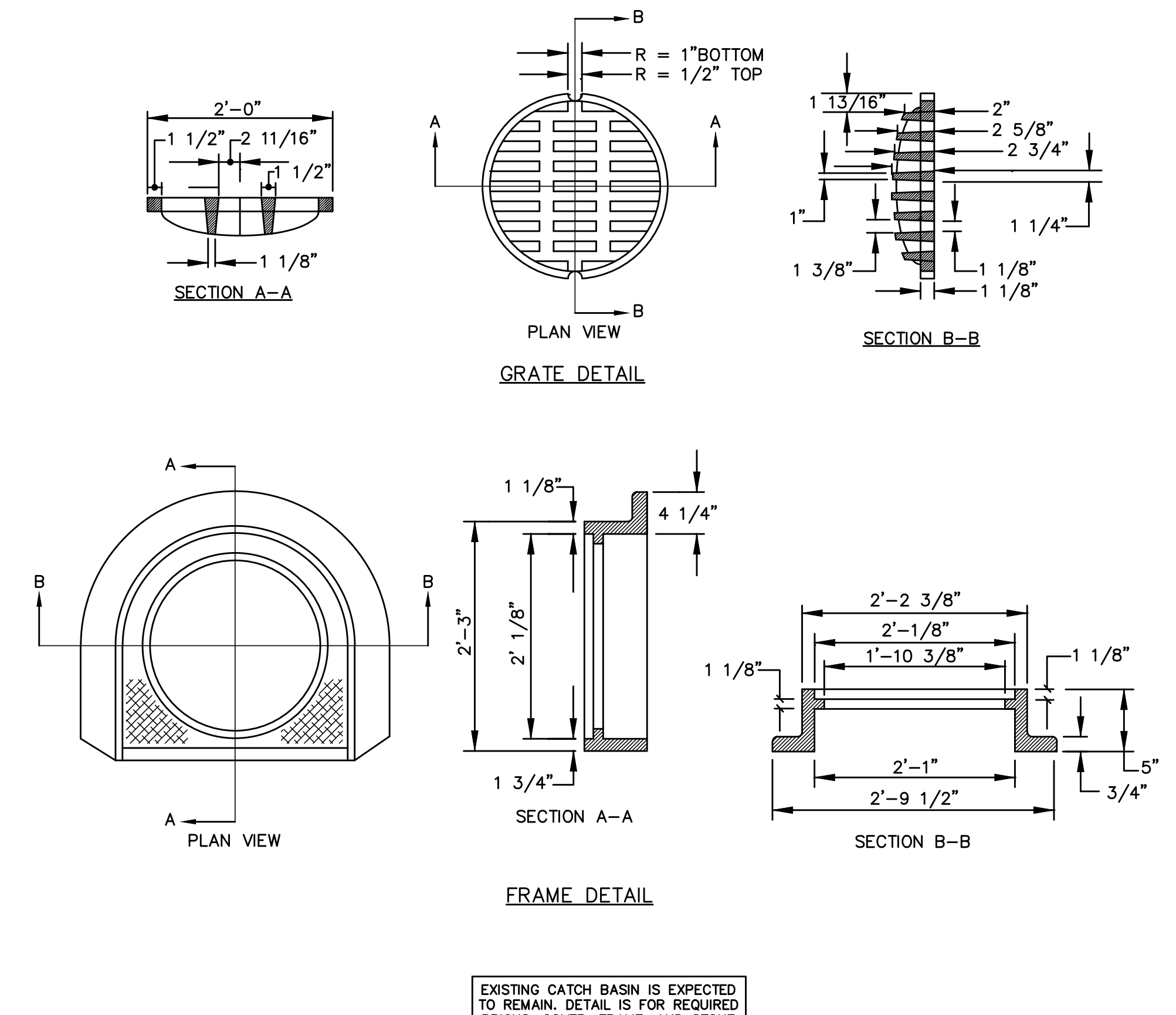
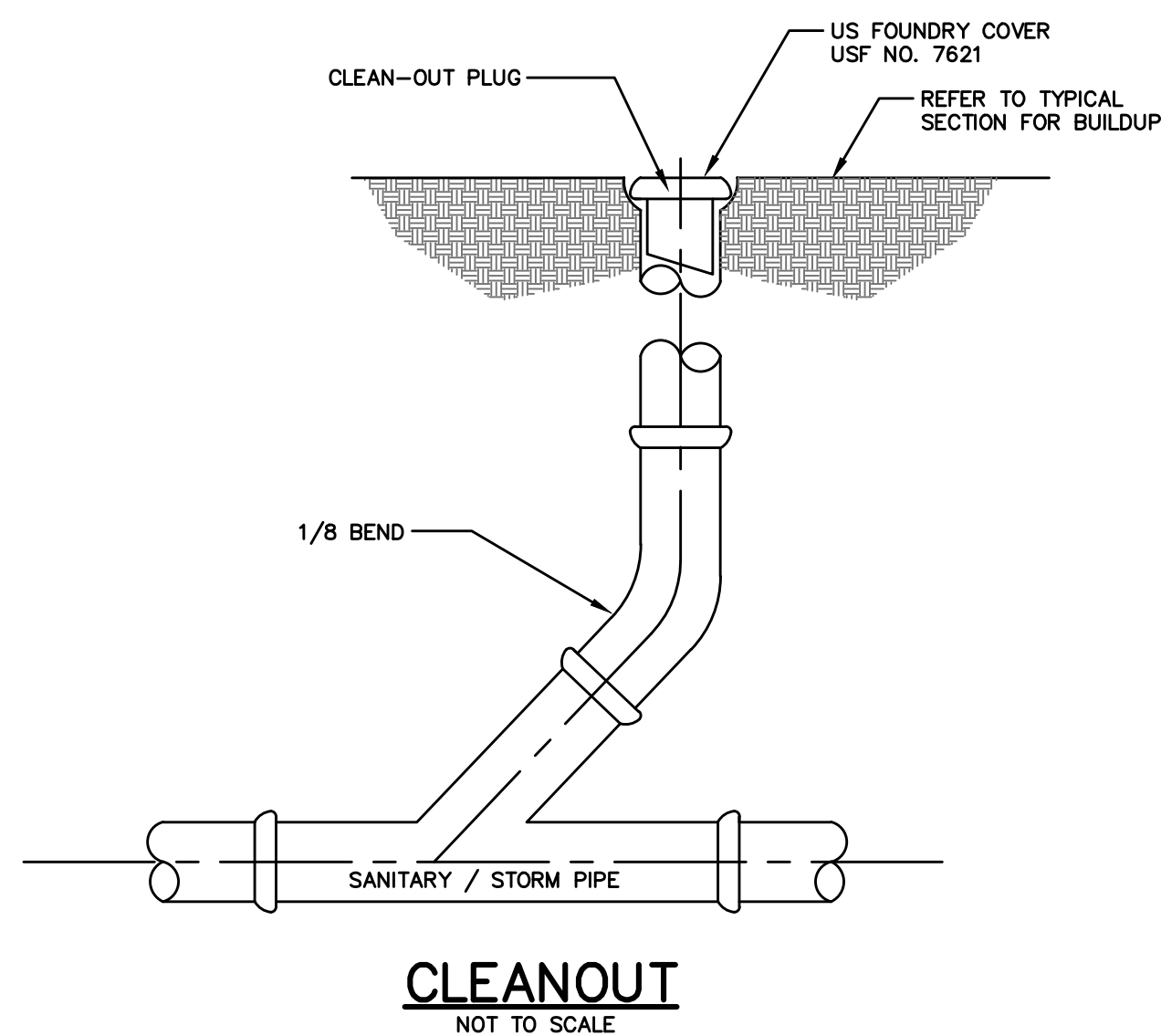


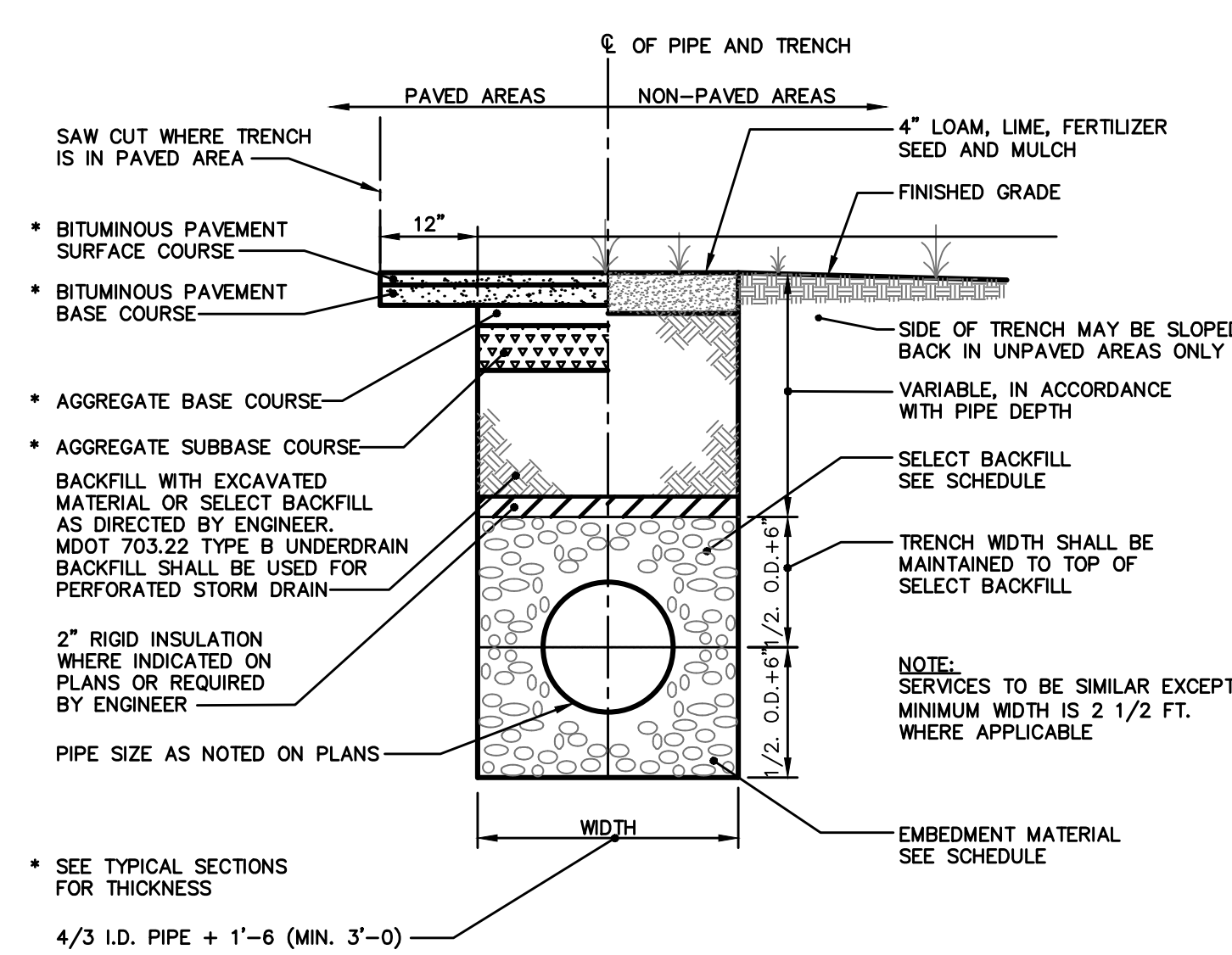
PRECAST CONCRETE CATCH BASIN - TYPE "E"
NOT TO SCALE



CATCH BASIN FRAME & GRATE
NOT TO SCALE



CLEANOUT
NOT TO SCALE



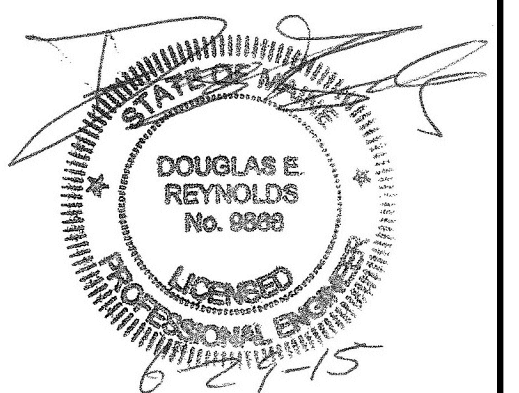
TRENCH SECTION
NOT TO SCALE

SCHEDULE OF TRENCH BACKFILL			
TYPE OF PIPE	EMBEDMENT MATERIAL	SELECT BACKFILL	SELECT BACKFILL ON CITY PROPERTY
CMP DUCTILE IRON RCP	MDOT 703.22 TYPE B UD BACKFILL	MDOT 703.22 TYPE B UD BACKFILL	3/4\"/>
PVC-SDR 35 HDPE	MDOT 703.22 TYPE C 3/4\"/>		
PERFORATED PVC-SDR35 HDPE	MDOT 703.22 TYPE C 3/4\"/>		

NOTE:
1. BRACING AND SHEETING OR OTHER TRENCH PROTECTION TO BE PROVIDED TO MEET APPLICABLE STATE AND O.S.H.A. SAFETY STANDARDS. ALL SUCH TRENCH PROTECTION TO BE THE RESPONSIBILITY OF THE CONTRACTOR.
2. INSTALL WARNING TAPE DIRECTLY ABOVE UTILITIES, 12\"/>

- GENERAL NOTES FOR MANHOLES AND CATCH BASINS
- ALL CONCRETE SHALL HAVE A MINIMUM ULTIMATE COMPRESSIVE STRENGTH OF 4000 lbs. PER SQ. INCH AT THE END OF 28 DAYS, UNLESS OTHERWISE NOTED.
 - MANHOLES MAY BE CONSTRUCTED OF PRECAST REINFORCED CONCRETE, OR CAST IN PLACE.
 - PRECAST REINFORCED CONE BARREL MANUFACTURED PER ASTM SPEC. C-478.
 - ALL STORM AND SEWER MANHOLE COVERS SHALL BE SOLID AND SHALL HAVE ONE 7/8\"/>

NOTE: THIS PLAN SET IS ISSUED FOR PERMITTING PURPOSES AND SHALL NOT BE USED FOR CONSTRUCTION.



C:\Users\CAD\Dropbox\Projects\Gorrill-Palmer\2970 - Marginal Way, Bangor Savings\DWG\2970-DETAILS.dwg - 6/29/2015 2:01 PM

Rev.	Date	Revision

RESPONSE TO CITY COMMENTS	Date	By

Design: AMP	Draft: CG	Date: DEC 2014
Checked: AMP	Scale: 1"=10'	Job No.: 2970
File Name: 2970-DETAILS.dwg		

This plan shall not be modified without written permission from Gorrill-Palmer Consulting Engineers, Inc. (GPCEI). Any alterations, authorized or otherwise, shall be at the user's sole risk and without liability to GPCEI.

GORRILL PALMER

Relationships. Responsiveness. Results.
www.gorrillpalmer.com
207.657.6910

Drawing Name:	Details 3
Project:	Bangor Savings Bank 20 Marginal Way, Portland, Maine
Client:	Bangor Savings Bank 99 Franklin Street, Bangor, Maine 04401

Drawing No.
C403