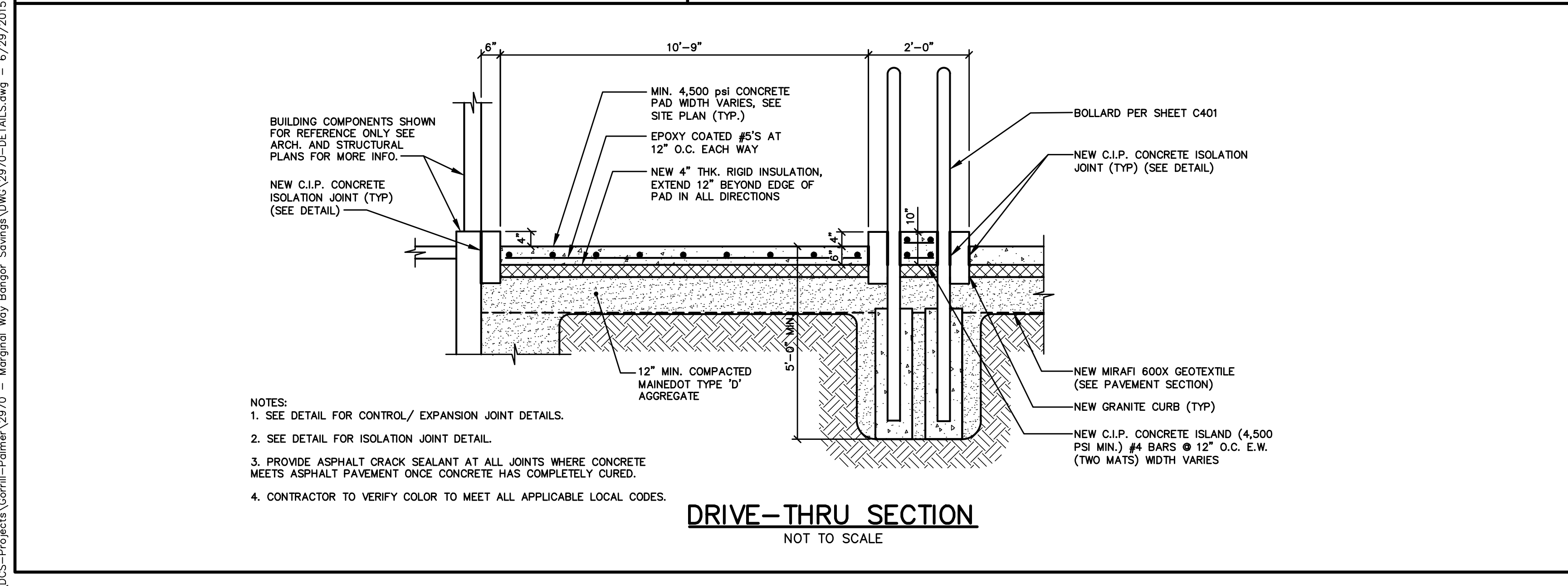
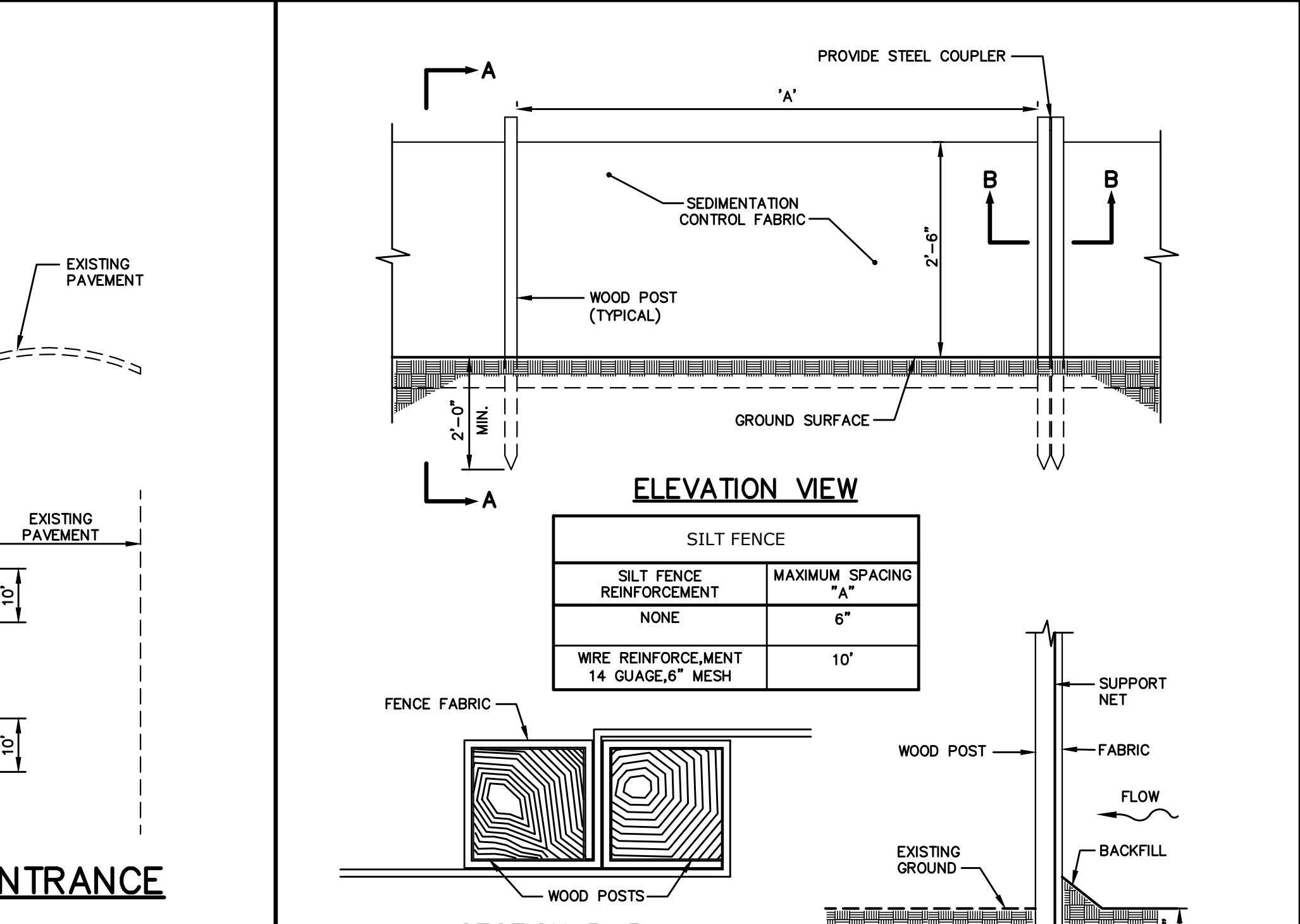
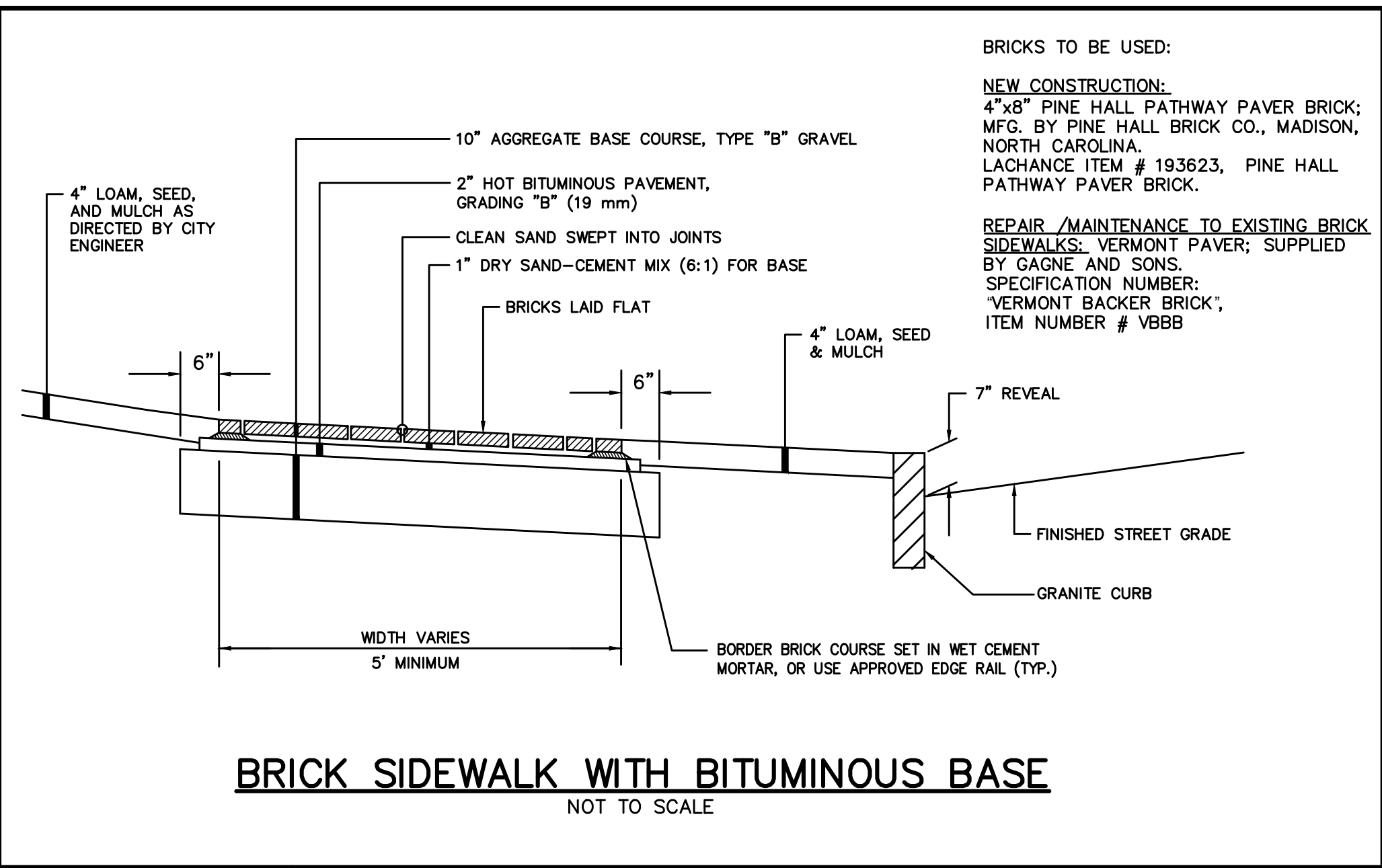
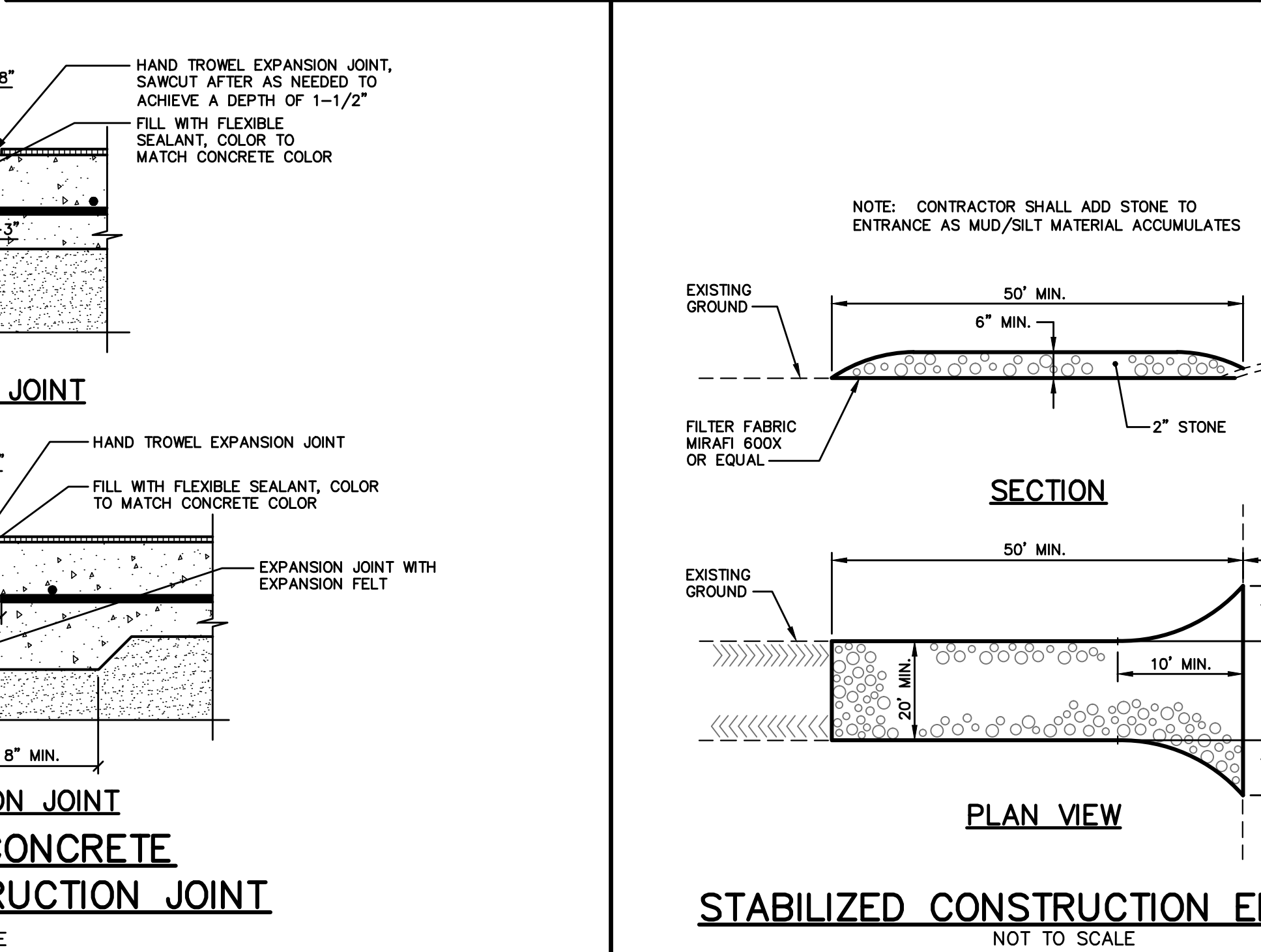
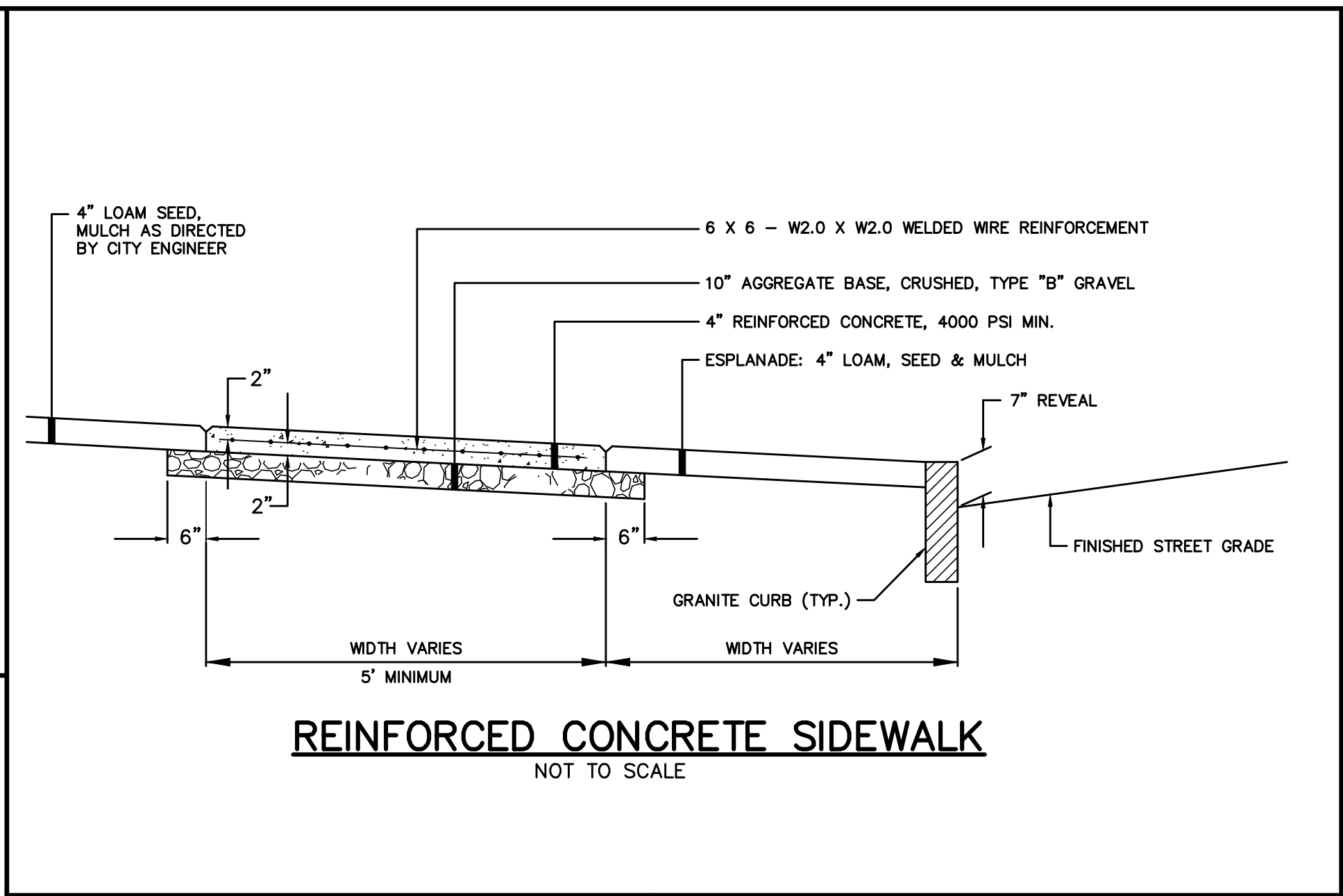
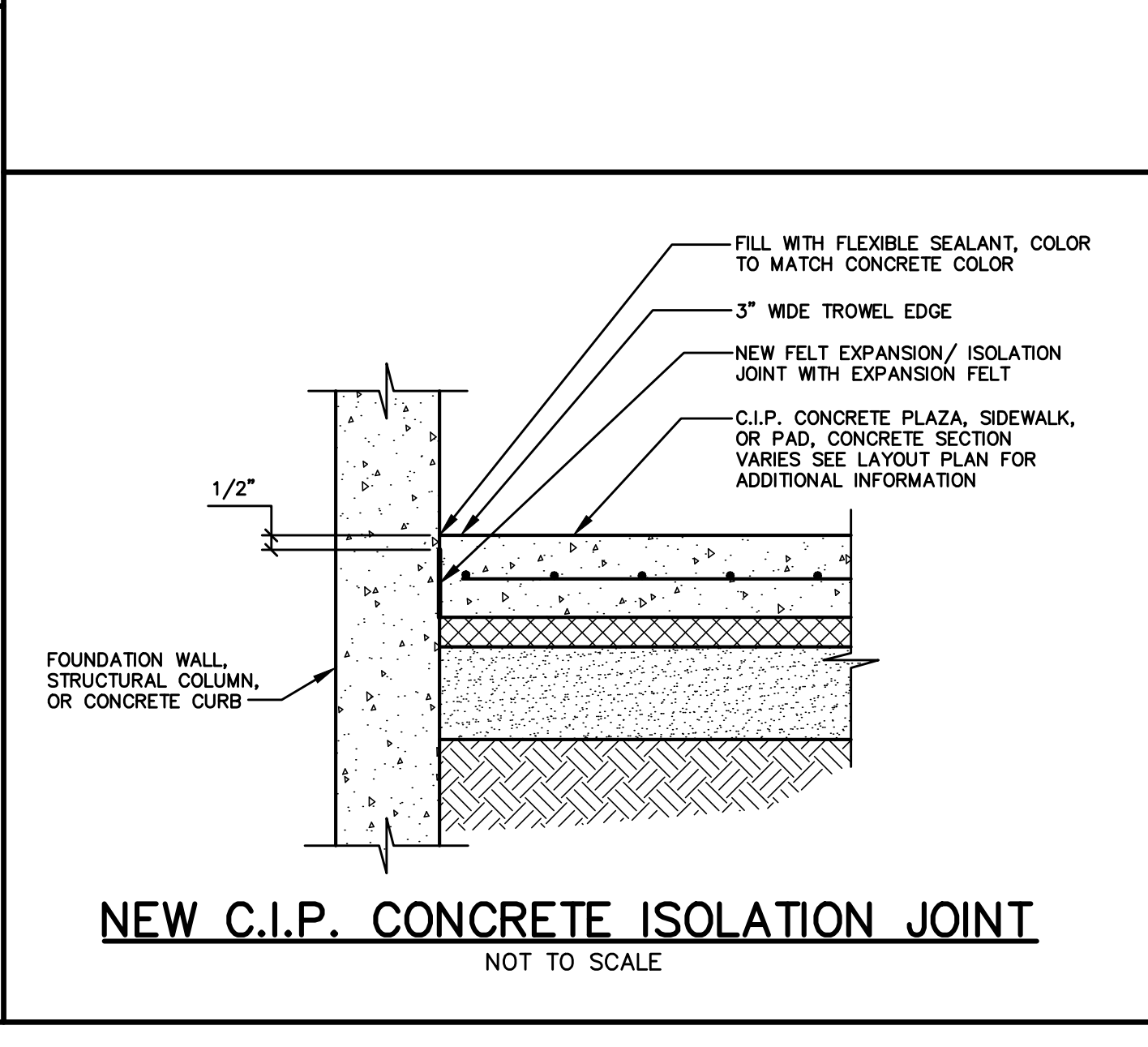


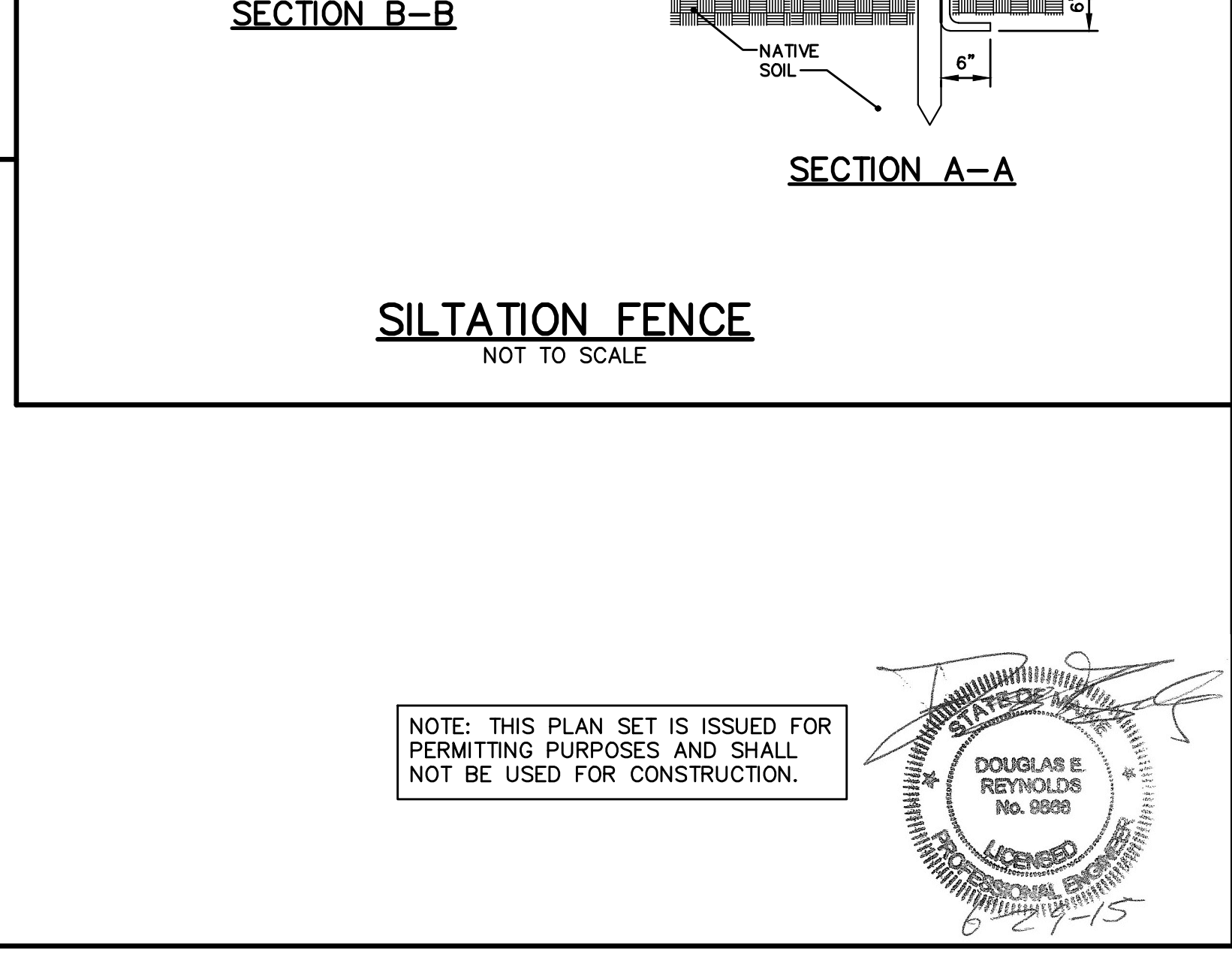
NOTES:
 1. SEE SITE PLAN FOR LOCATION OF CONCRETE DRIVE-THRU.
 2. #5 DIAGONAL BARS SHALL BE PLACED AT ALL OPENINGS.
 3. THE SITE CONTRACTOR SHALL PROVIDE SHOP DRAWINGS SHOWING THE LOCATION OF CONTROL AND CONSTRUCTION JOINTS TO THE ENGINEER FOR REVIEW PRIOR TO REPLACEMENT OF CONCRETE.



NOTES:
 1. SEE DETAIL FOR CONTROL/ EXPANSION JOINT DETAILS.
 2. SEE DETAIL FOR ISOLATION JOINT DETAIL.
 3. PROVIDE ASPHALT CRACK SEALANT AT ALL JOINTS WHERE CONCRETE MEETS ASPHALT PAVEMENT ONCE CONCRETE HAS COMPLETELY CURED.
 4. CONTRACTOR TO VERIFY COLOR TO MEET ALL APPLICABLE LOCAL CODES.



NOTE: THIS PLAN SET IS ISSUED FOR PERMITTING PURPOSES AND SHALL NOT BE USED FOR CONSTRUCTION.



BRICKS TO BE USED:
NEW CONSTRUCTION:
 4"x8" PINE HALL PATHWAY PAVEMENT BRICK; MFG. BY PINE HALL BRICK CO., MADISON, NORTH CAROLINA. LACHANCE ITEM # 193623, PINE HALL PATHWAY PAVEMENT BRICK.
REPAIR / MAINTENANCE TO EXISTING BRICK SIDEWALKS: VERMONT PAVEMENT; SUPPLIED BY GAGNE AND SONS. SPECIFICATION NUMBER: VERMONT BACKER BRICK; ITEM NUMBER # VBBB

C:\Users\CAD\Dropbox\Projects\Projects\Gorrill-Palmer\2970 - Marginal Way Bangor Savings\DWG\2970-DETAILS.dwg - 6/29/2015 2:01 PM

Rev.	Date	Revision

RESPONSE TO CITY COMMENTS	DATE	BY

Design: AMP	Draft: CG	Date: DEC 2014
Checked: AMP	Scale: 1"=10'	Job No.: 2970
File Name: 2970-DETAILS.dwg		



Relationships. Responsiveness. Results.
 www.gorrillpalmer.com
 207.657.6910

Drawing Name:	Details 2
Project:	Bangor Savings Bank 20 Marginal Way, Portland, Maine
Client:	Bangor Savings Bank 99 Franklin Street, Bangor, Maine 04401

Drawing No.
C402