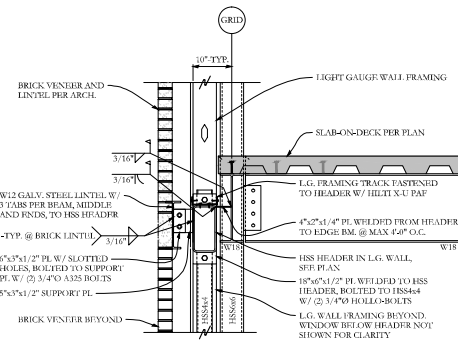
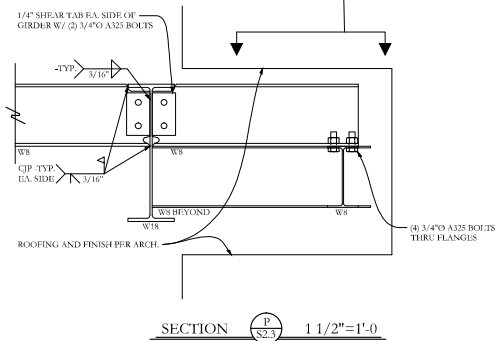
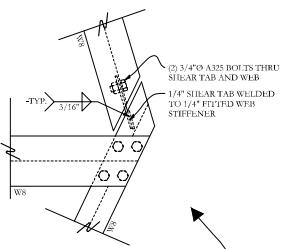


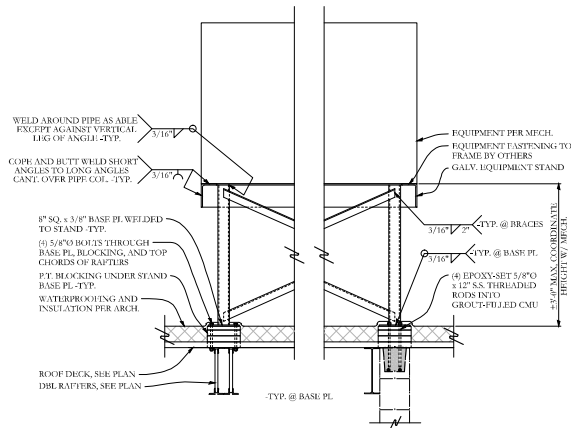
SECTION T S2.3 3/4"=1'-0
BRICK SHELF AT THIRD FLOOR FRAMING



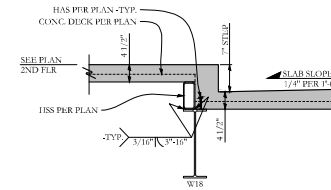
SECTION U S2.3 3/4"=1'-0
TYPICAL HSS WINDOW HEADER



SECTION P S2.3 1 1/2"=1'-0



SECTION R S2.3 3/4"=1'-0



SECTION S S2.3 3/4"=1'-0

Structural Integrity
 Consulting Engineers, Inc.
 7 Oak Street
 Portland, ME 04101
 p 307-774-6414
 f 866-793-2835
 www.structuralintegrity.com
 BUILD WITH CONFIDENCE
 ©2015 Structural Integrity Consulting Engineers, Inc.
 SI# 15-0055

NO.	DATE	DESCRIPTION

ISSUED FOR CONSTRUCTION
 07.22.15

TAC Architectural Group Inc.



BSB - MARGINAL WAY
 PORTLAND, MAINE

PROJECT NO: 1502
 CAD DWG FILE:
 DRAWN BY: BSH
 CHK'D BY: ACJ
 COPYRIGHT: 2015

SHEET TITLE
 DETAILS

S2.3