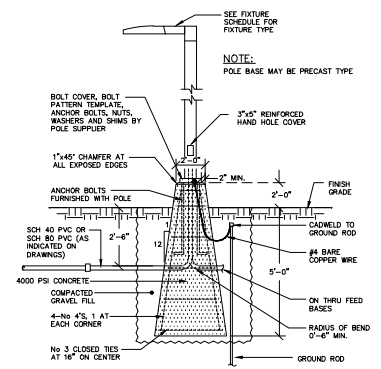


- KEYED NOTES**
- Ⓐ PROVIDE CONDUIT RISER, CONDUCTORS AND WEATHERHEAD ON EXISTING POLE PER CMP STANDARDS. CMP TO MAKE CONNECTIONS.
 - Ⓑ PROVIDE METER SOCKET PER CMP STANDARDS.
 - Ⓒ PROVIDE 1-2" AND 1-4" CONDUIT FOR COMMUNICATIONS, STUB UP 4" INTO ELECTRIC ROOM.
 - Ⓓ PROVIDE SLEEVES THROUGH FOUNDATION, COORDINATE WITH CONCRETE INSTALLER.
 - Ⓔ PROVIDE TWO 1" CONDUITS FOR TANK LEVEL ALARM COMMUNICATION BETWEEN PROpane TANK AND PRESSURE REGULATING VALVE. COORDINATE EXACT LOCATION WITH GAS INSTALLER. PROVIDE IN TRENCH WITH GAS PIPING, MINIMUM 1'-0" SEPARATION FROM GAS PIPING.



Hewlett & Whitney
ENGINEERS & ARCHITECTS
161 MAIN STREET WINTHROP, MAINE
Tel: 207.637.7660 Fax: 207.637.7554
PLOT DATE: Jul 21, 2015

NO.	DATE	DESCRIPTION
ISSUE FOR CONSTRUCTION		
07.22.15		

TAC Architectural Group Inc.



BSB - MARGINAL WAY
PORTLAND, MAINE

PROJECT NO: 1502
CAD DWG FILE: Elec-SitePlan.dwg
DRAWN BY: ELH/CCH
CHK'D BY: CCH
COPYRIGHT: 2015

ELECTRICAL SITE PLAN & DETAILS

ES101