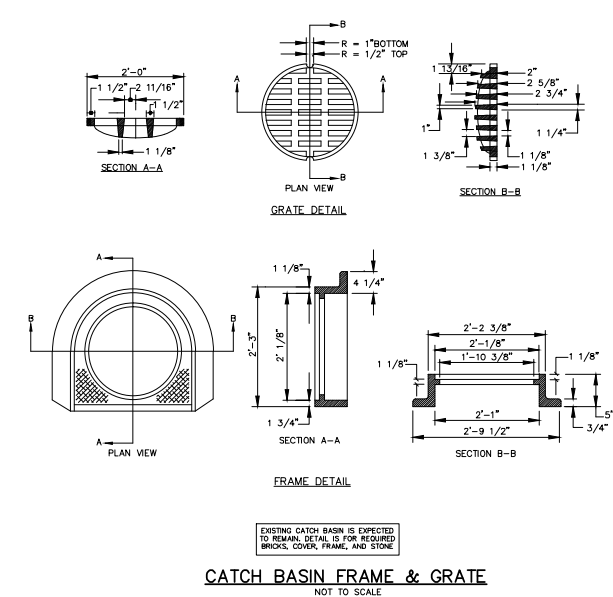
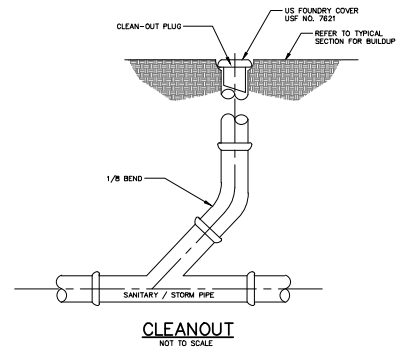


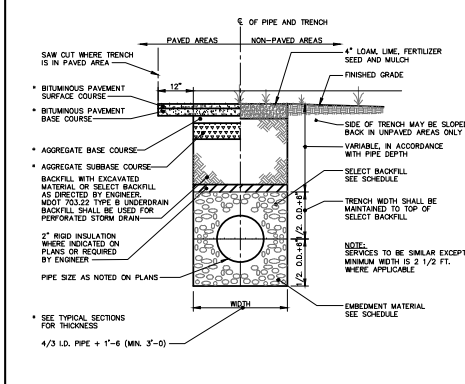
PRECAST CONCRETE CATCH BASIN - TYPE "E"
NOT TO SCALE



CATCH BASIN FRAME & GRATE
NOT TO SCALE



CLEANOUT
NOT TO SCALE



TRENCH SECTION
NOT TO SCALE

SCHEDULE OF TRENCH BACKFILL

TYPE OF PIPE	EMBEDMENT MATERIAL	SELECT BACKFILL	SELECT BACKFILL ON CITY PROPERTY
CMP DUCTILE IRON PIPE	MOOT 703.22 TYPE B UD BACKFILL	MOOT 703.22 TYPE B UD BACKFILL	3/4\"/>
PVC-SDR 35 HOPE	MOOT 703.22 TYPE C 3/4\"/>		
PERFORATED PVC-SDR5 HOPE	MOOT 703.22 TYPE C 3/4\"/>		

NOTE:
1. BRACING AND SHEETING OR OTHER TRENCH PROTECTION TO BE PROVIDED TO MEET APPLICABLE STATE AND OSHA SAFETY STANDARDS. ALL SUCH TRENCH PROTECTION TO BE THE RESPONSIBILITY OF THE CONTRACTOR.
2. INSTALL WARNING TAPE DIRECTLY ABOVE UTILITIES, 12\"/>

MINIMUM COVER

PIPE	COVER
DRINK (D)	(1) COVER BETWEEN 2' AND 3' SHALL INCLUDE 4\"/>
WATER	COVER BETWEEN 3' AND 4' SHALL INCLUDE 2\"/>
SEWER	

GENERAL NOTES FOR MANHOLES AND CATCH BASINS

- ALL CONCRETE SHALL HAVE A MINIMUM ULTIMATE COMPRESSIVE STRENGTH OF 4000 LBS. PER SQ. INCH AT THE END OF 28 DAYS, UNLESS OTHERWISE NOTED.
- MANHOLES MAY BE CONSTRUCTED OF PRECAST REINFORCED CONCRETE, OR CAST IN PLACE.
- PRECAST REINFORCED CONE BARREL MANUFACTURED PER ASTM SPEC. C-478.
- ALL STORM AND SEWER MANHOLE COVERS SHALL BE SOLID AND SHALL HAVE ONE 7/8\"/>

NOTE: THIS PLAN SET IS ISSUED FOR PERMITTING PURPOSES AND SHALL NOT BE USED FOR CONSTRUCTION.



7/23/15

Rev.	Date	Revision

BUILDING PERMIT SUBMISSION	7/23/15	AMP	
RESPONSE TO CONDITIONS OF APPROVAL	7/16/15	AMP	
REMOVED PLANTINGS	7/01/15	DER	
RESPONSE TO CITY COMMENTS	6/29/15	DER	
PRICING	6/05/15	AMP	
SITE PLAN REVIEW	5/13/15	AMP	
CLIENT REVIEW	4/13/15	AMP	
Issued For		Date	By

Design: AMP Draft: DG Date: DEC 2014
 Checked: AMP Scale: 1"=10'
 File Name: 2970-DETAILS.dwg Job No.: 2970
 This plan shall not be modified without written permission from Gorrill-Palmer Consulting Engineers, Inc. (GPCEI). Any alterations, authorized or otherwise, shall be at the user's sole risk and without liability to GPCEI.



Relationships. Responsiveness. Results.
 www.gorrillpalmer.com
 207.657.6910

Drawing Name:	Details 3
Project:	Bangor Savings Bank 20 Marginal Way, Portland, Maine
Client:	Bangor Savings Bank 99 Franklin Street, Bangor, Maine 04401

Drawing No.
C403