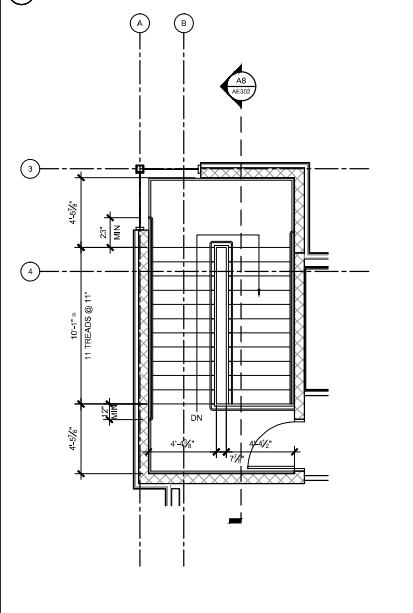


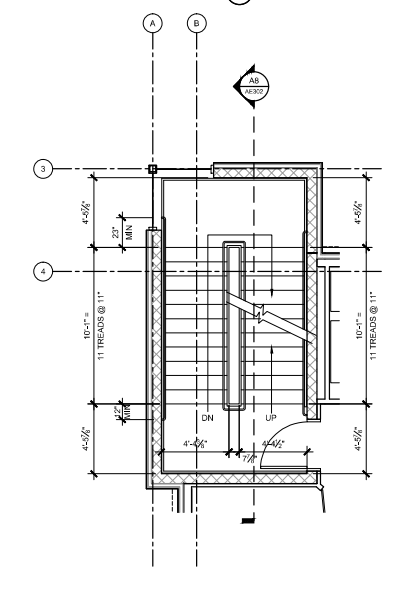
G1 STAIR 1 - THIRD FLOOR ENLARGED PLAN  
1/4" = 1'-0"

G5 STAIR 1 - SECOND FLOOR ENLARGED PLAN  
1/4" = 1'-0"

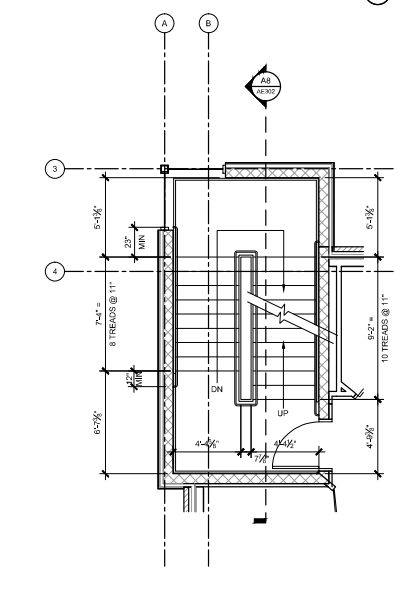
G10 STAIR 1 - FIRST FLOOR ENLARGED PLAN  
1/4" = 1'-0"



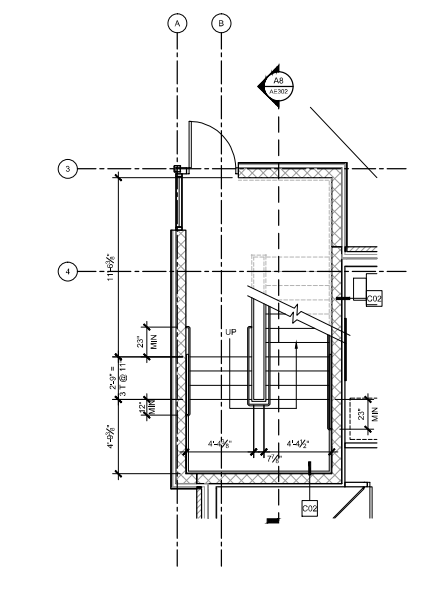
A1 STAIR 2 - MECHANICAL PENTHOUSE ENLARGED PLAN  
3/8" = 1'-0"



A4 STAIR 2 - THIRD FLOOR ENLARGED PLAN  
3/8" = 1'-0"

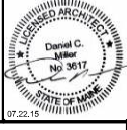


A8 STAIR 2 - SECOND FLOOR ENLARGED PLAN  
3/8" = 1'-0"



A11 STAIR 2 - FIRST FLOOR ENLARGED PLAN  
3/8" = 1'-0"

ISSUED FOR CONSTRUCTION  
07.22.15



BSB - MARGINAL WAY  
PORTLAND, MAINE

PROJECT NO: 14-007  
CAD DWG FILE: AE401 ENLARGED STAIR AND ELEVATOR PLANNING  
DRAWN BY: CRJ  
CHK'D BY: DCW  
COPYRIGHT: 2015

ENLARGED STAIR AND ELEVATOR PLANS

AE401