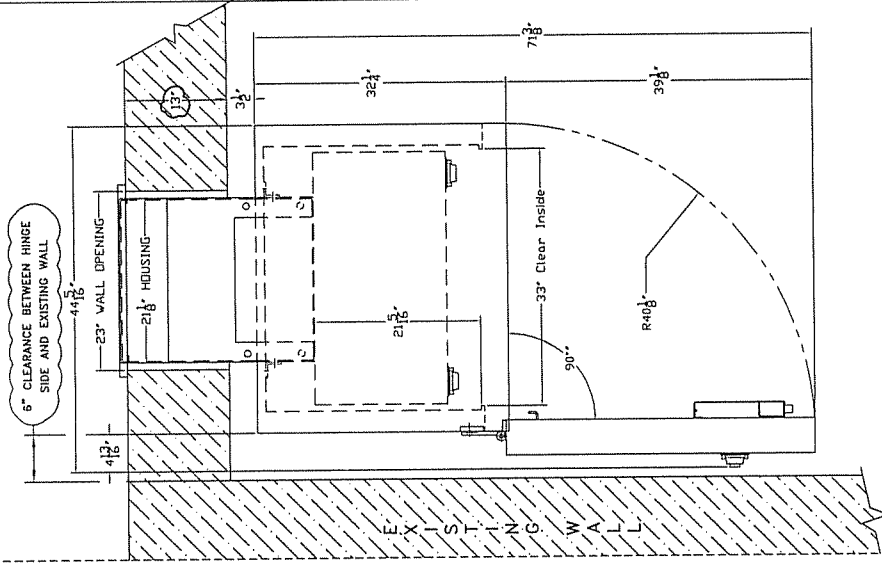


REVISION # 1  
 REVISION # 2  
 REVISION # 3

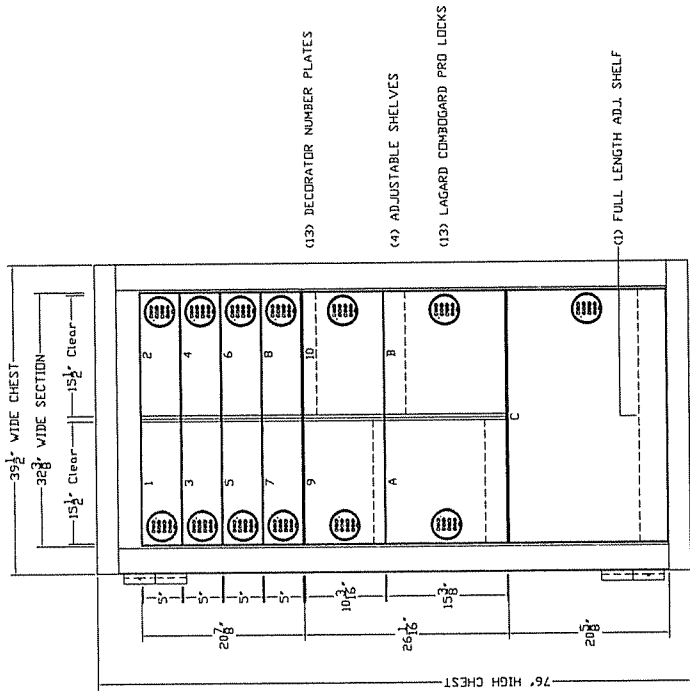


PLAN VIEW WITH DOOR OPEN AT 90°

CPORT CU

DEALER : PORTLAND SAFE  
 DATE : 10/26/11  
 ORDER NUMBER : QUOTE: PS102611  
 DRAWING NUMBER :  
 DRAWN BY :  
 SHEET : 1 of 1

HAMILTON SAFE



- (13) DECORATOR NUMBER PLATES
- (14) ADJUSTABLE SHELVES
- (15) LAGARD CAMBRARD PRO LOCKS
- (15) FULL LENGTH ADJ. SHELF

FRONT ELEVATION

\*EST. WEIGHT OF UNIT: 5,200 LBS\*

DEPOSITORY HEAD:  
 1 = 80UC UL LISTED NIGHT DEPOSITORY HEAD  
 1 = SECURE HOUSING (BOLT ON) (16 1/2" THK.)  
 24 = ADDITIONAL HEAD KEYS

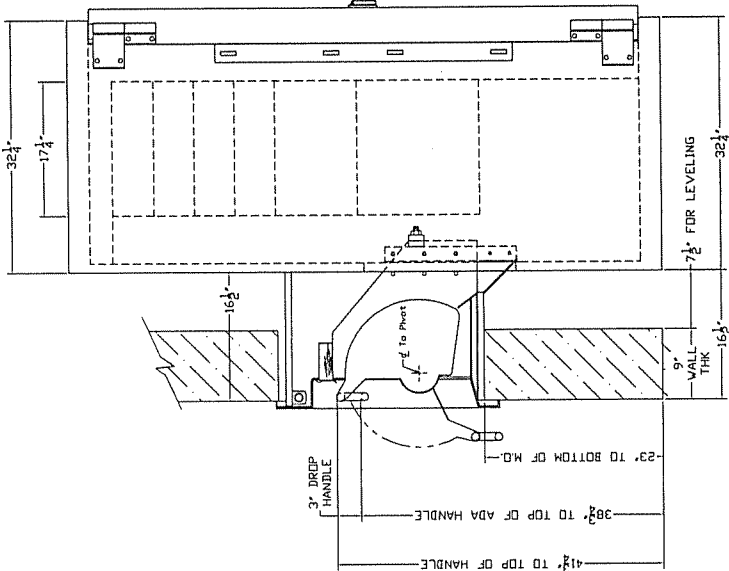
COMPOSITE CHEST - 76"H x 39 1/2"W x 32 1/4"D;  
 TL-30, LEFT SWING

KLD. COMBINATION LOCK ON OUTER CHEST DOOR  
 TWO MOVEMENT TIMELOCK

ALARM:  
 1 = HEAT SENSOR AND DOOR CONTACT  
 1 = ALARM HOLE

BUILT IN LOCKER INTERIOR PAINTED TO MATCH CHEST FINISH

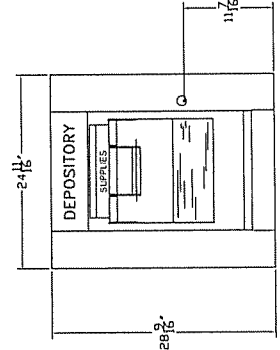
CHEST DOOR STOP  
 COLOR: CHARCOAL GRAY



LEFT SIDE ELEVATION

2 = 1/2" Ø CONDUITS : ONE FOR 110V. ELECTRIC & ONE FOR ALARM (BY OTHERS)

APPROXIMATELY 4" HIGHER THAN THE D.A. HEIGHT OF CHEST



MASONRY DETAIL

EXTERIOR