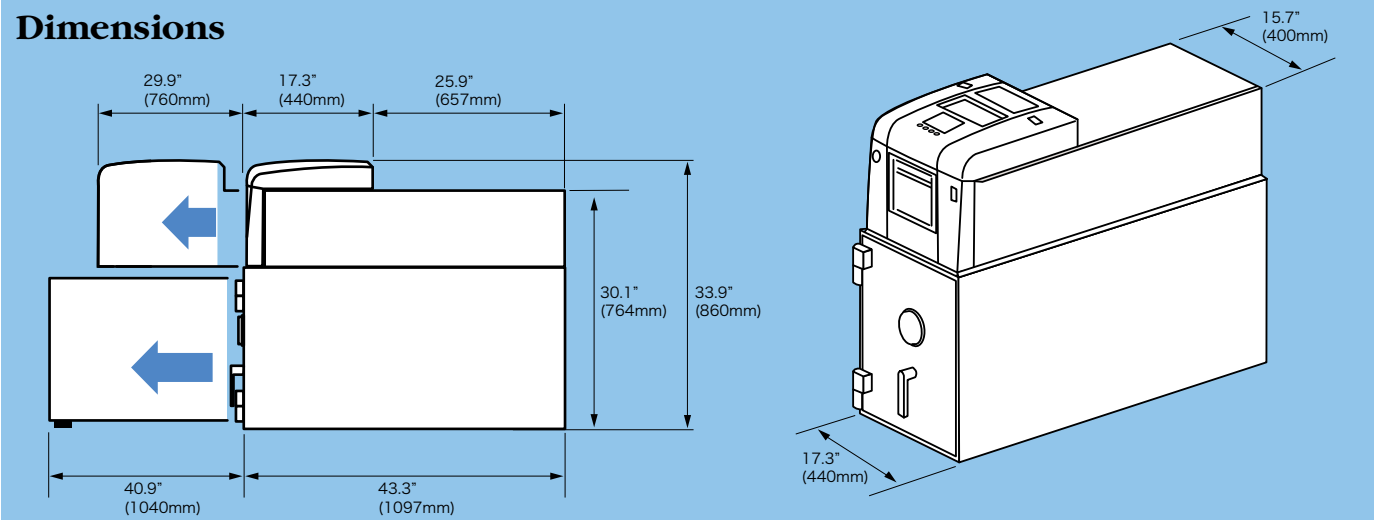


Specifications

Capacity	Deposit	: 150 Notes
	Dispense	: 100 Notes
Speed	Deposit	: 8 Notes Per Second
	Dispense	: 8 Notes Per Second
Escrow Unit		: 400 Notes
Currency Counter/Discriminator		: Uses Escrow Unit / 400 Notes
Storage Units		: 6 Stackers
		: Up to 1,500 Notes Per Stacker
		: Total up to 9,000 Notes
Divert/Reject Bin		: Up to 300 Notes
Dimensions / Weight		: 17.3"(W)×43.3"(D)×33.9"(H) (440×1097×860 mm) /1,003 lbs (455kg)
Security		: UL291 - 24 Hour Safe And Alarm Connectivity
Users		: Dual Tellers
Interface		: Two RS-232C / LAN
Power Supply		: Voltage: AC85 - 264V
		: Frequency: 50/60Hz (47-63Hz)
		: Max. power consumption: approx. 648W

Dimensions



* Specifications are subject to change without notice.
 * Please carefully read the instruction manual to ensure correct equipment usage.
 * Copyright © 2008 by GLORY LTD. All rights reserved.



GLORY (U.S.A.) INC.
<http://www.gloryusainc.com>
Corporate Headquarters
 10 York Avenue, West Caldwell, NJ 07006
 Tel: (800) 999-4510 / Fax: (973) 228-7114

Eastern Region
 10 York Avenue, West Caldwell, NJ 07006
 Tel: (800) 654-4564 / Fax: (973) 228-8796

Western Region
 11205 Knott Avenue, Cypress, CA 90630
 Tel: (800) 762-7824 / Fax: (800) 710-9803

Nevada Region
 2057 E. Maule Avenue, Las Vegas, NV 89119
 Tel: (888) 439-8262 / Fax: (702) 252-0645

Manufactured by
GLORY LTD.
<http://www.glory.co.jp/en>
 Akihabara UDX, 4-14-1 SotoKanda,
 Chiyoda-Ku, Tokyo 101-8977 Japan
 Tel: +81-3-5207-3110 / Fax: +81-3-5207-3030

Distributed by:



CURRENCY RECYCLER
RBU-11

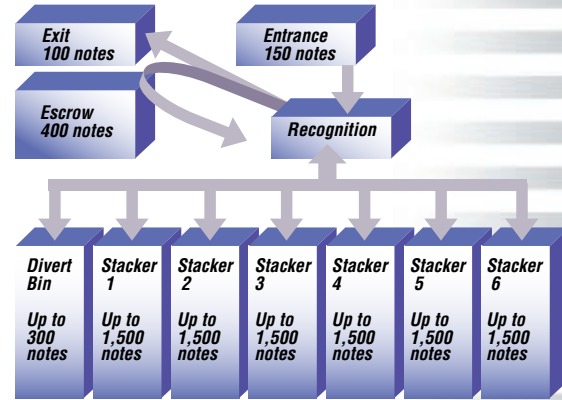


- **Increase Teller Productivity**
- **Reduce Expenses**
- **Improve Cash Optimization**

- **Reduce Teller Differences**
- **Increase Cross-Selling Opportunities**
- **Enhance Branch Security**

Recycling System

Operating cash is replenished and depleted by transactions processed throughout the day.



UL-291 24 hr

The RBU-11 Currency Recycler dispenses, accepts, sorts by denomination and stores currency transactions through a single source, and functions as a teller cash drawer.

Easy Access

Cash can be manually removed from stackers to perform audits or in case of power failure.



6 Stackers in UL 291 Safe

Easy Maintenance

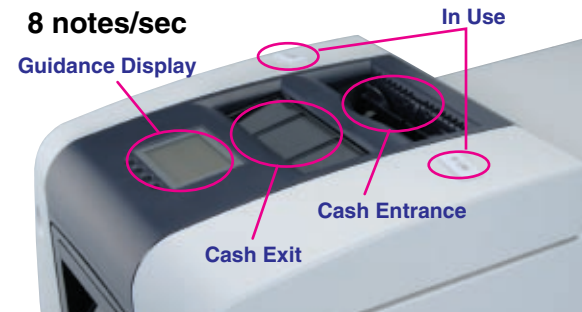
Front-loading stacker units and maintenance area allow easy access for cleaning and maintenance.



Display provides quick view of stacker levels and error codes.

Increase Teller Productivity

Faster speed allows tellers to process more transactions quickly, increasing productivity, and reducing customer wait times.



Increase Productivity and Reduce Expenses

Increase staff productivity by quickly and efficiently processing all currency transactions through the RBU-11

Reduce customer wait times in line to be serviced

Reduce time spent manually verifying incoming shipments and preparing outgoing shipments and customer currency orders

Eliminate dual-manual verification for cash bought and sold between tellers or the cash vault

Increase cross-selling opportunities at the teller window

Reduce staff required for branches open with extended hours and on weekends, eliminating overtime

Increase accuracy and reduce staff turnover due to teller differences

Manage currency inventory levels reducing: Cash-In-Transit; total cash maintained in the branch, and at the individual teller level

Reduce back office expenses associated with cross-shipping of cash orders to and from the branches

Reduce armored courier expenses and increase cash optimization by limiting cross-shipping



UL-291 24 hr

Real Escrow

Bills are stored until the transaction is accepted by the teller. If the transaction is cancelled, the original bills are returned.

Utilizing the Escrow feature, the RBU-11 also functions as a Currency Counter/Discriminator.



Space Saving Solutions

- Fits under standard teller counter configuration.
- Can be placed under or beside a desk.
- Adaptable to kiosk-style, open floor plan environment.
- Two tellers can be assigned to each RBU-11 at one time, in addition to additional tellers using the Vault "Buy/Sell"function.



Alarms and Security

- UL291-24 hour safe allows money to be stored overnight, and alarms to be connected into the bank's alarm monitoring system.
- Maintains an Electronic Journal of all transactions.