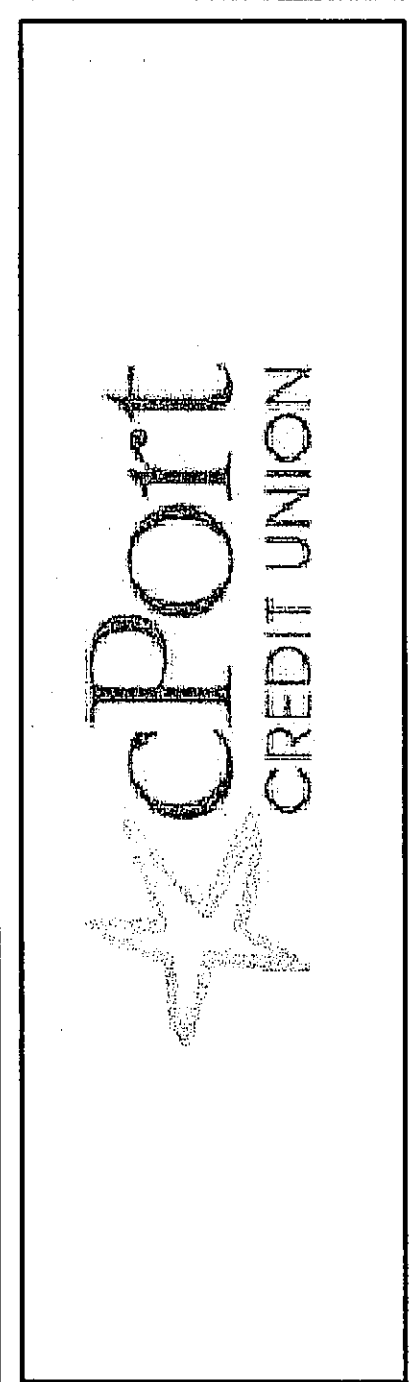


Gawron Turgeon ARCHITECTS
 29 Black Point Road
 Scarborough, Maine 04074
 www.gawronturgen.com
 207-883-8307 tel 207-883-0361 fax



REVISIONS	
#	DESCRIPTION
1	ISSUED FOR PERMITTING ONLY

DATE	10-05-11
PROJECT #	030311
DRAWN BY:	DLP
CHECKED BY:	SWG
DRAWING SCALE	1/4"=1'-0"

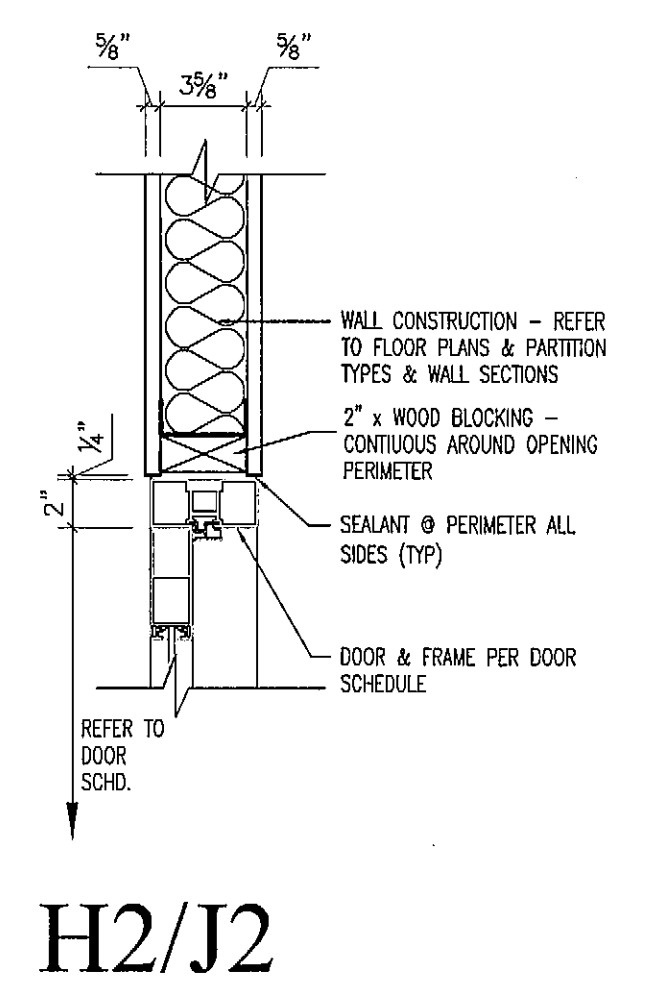
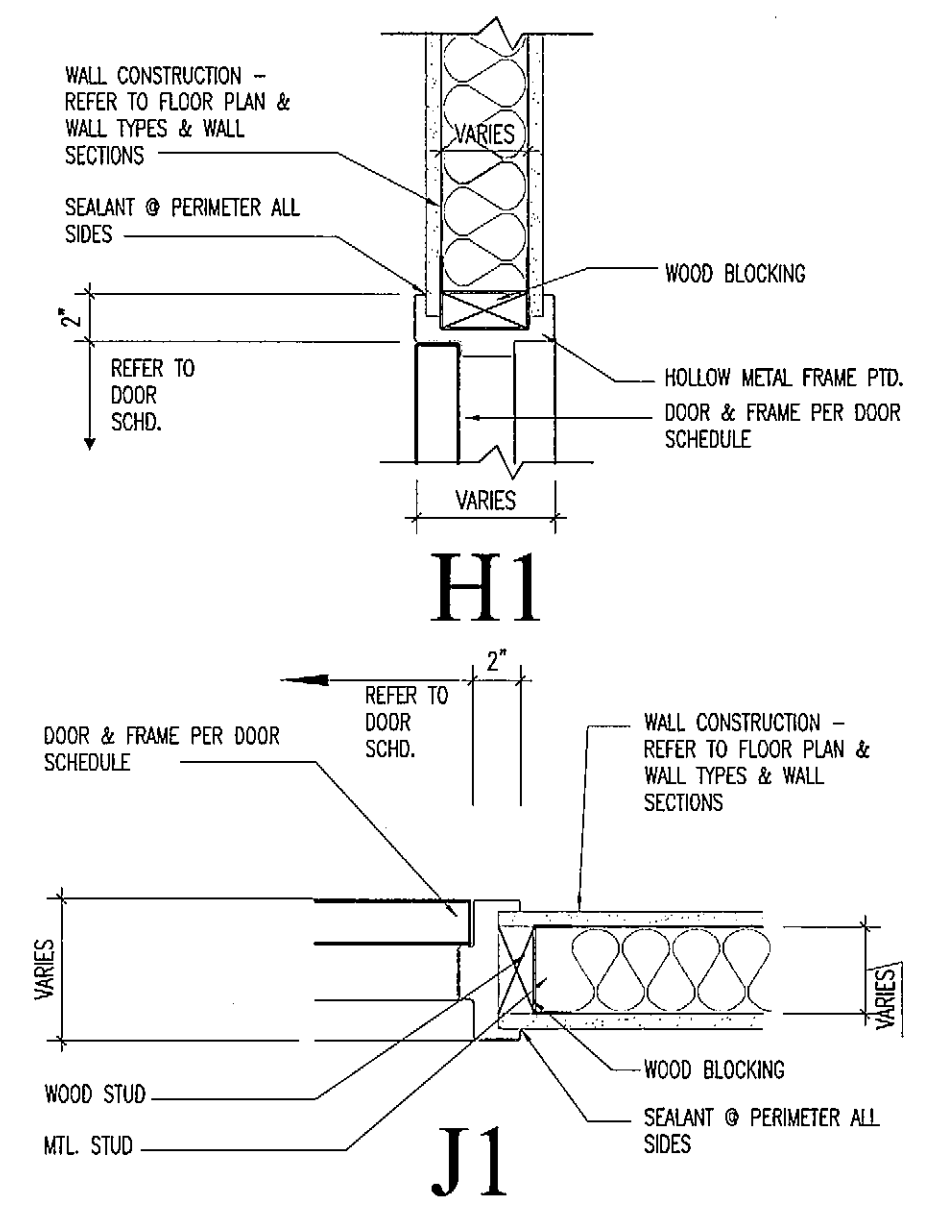
SHEET TITLE
 DOOR SCHEDULE
 HEAD & JAMB DETAILS

A801

© COPYRIGHT 1985-2008
 REPRODUCTION OR RELEASE OF THIS DOCUMENT WITHOUT WRITTEN PERMISSION OF GAWRON TURGEON ARCHITECTS IS PROHIBITED

DOOR SCHEDULE																
DOOR SCHEDULE ABBREVIATIONS																
EHO	ELECTR. HOLD OPENER	NO	NUMBER	VD	WOOD (SOLID)											
HM	HOLLOW METAL	ES	ELECTRIC STRIKE	AL	ALUMINUM STOREFRONT											
INS	INSULATE	TEMP	TEMPERED	VG	WIRE GLASS											
MTL	METAL	THK	THICKNESS	S	STAIN											
DOORS																
NO	TYPE	SIZE	THK.	HOWR SET	FINISH	MAT.	REMARKS	FRAMES				RATING	MAT.	THRESHOLD		NO
								TYPE	MAT.	DETAILS/A800	REMARKS			SILL	HEIGHT	
								HEAD	JAMB							
100A	A	3'-0"x7'-0"	13/4"	-	CLEAR	AL	CLOSER, ADA OPENER, ES, PANIC HARDWARE, LOCK, INSULATED, WEATHERSTRIPPING	3	AL	H2	J2	-	-	-	-	100A
100B	C	3'-0"x7'-0"	13/4"	-	S	WD	CLOSER, ADA OPENER, ES, PANIC HARDWARE, LOCK, INSULATED, KEY PAD	2	HM	H1	J1	-	-	-	-	100B
101	D	3'-0"x7'-0"	13/4"	-	S	WD		9	HM	H1	J1	-	-	-	-	101
102	D	3'-0"x7'-0"	13/4"	-	S	WD		9	HM	H1	J1	-	-	-	-	102
103	D	3'-0"x7'-0"	13/4"	-	S	WD		9	HM	H1	J1	-	-	-	-	103
104		NOT USED														104
105A	C	3'-0"x7'-0"	13/4"	-	S	WD	KEY PAD	2	HM	H1	J1	-	-	-	-	105A
105B	C	3'-0"x7'-0"	13/4"	-	S	WD		8	HM	H1	J1	-	-	-	-	105B
106	D	2'-0"x7'-0"	13/4"	-	S	WD		9	HM	H1	J1	-	-	-	-	106
107A	E	3'-0"x7'-0"	13/4"	-	S	WD	KICK PLATES BOTH SIDES, KEY PAD	9	HM	H1	J1	-	1 HR.	-	-	107A
107B	B	3'-0"x7'-0"	13/4"	-	CLEAR	AL	WEATHERSTRIPPING	4	AL	H2	J2	-	-	-	-	107B
108		NOT USED														108
109	C	3'-0"x7'-0"	13/4"	-	S	WD		5	HM	H1	J1	-	-	-	-	109
110	C	3'-0"x7'-0"	13/4"	-	S	WD		5	HM	H1	J1	-	-	-	-	110
111	C	3'-0"x7'-0"	13/4"	-	S	WD		6	HM	H1	J1	-	-	-	-	111
112A	A	3'-0"x7'-0"	13/4"	-	CLEAR	AL	CLOSER, PANIC HARDWARE, LOCK, INSULATED, WEATHERSTRIPPING	1	AL	H2	J2	-	-	-	-	112A
112B	C	3'-0"x7'-0"	13/4"	-	S	WD		2	HM	H1	J1	-	-	-	-	112B
113	C	3'-0"x7'-0"	13/4"	-	S	WD		6	HM	H1	J1	-	-	-	-	113
114	B	3'-0"x7'-0"	13/4"	-	CLEAR	AL	CLOSER, WEATHERSTRIPPING	4	AL	H2	J2	-	1 HR.	-	-	114
115	C	3'-0"x7'-0"	13/4"	-	S	WD		5	HM	H1	J1	-	-	-	-	115
116		NOT USED														116
117	D	3'-0"x7'-0"	13/4"	-	S	WD		9	HM	H1	J1	-	-	-	-	117
118	C	3'-0"x7'-0"	13/4"	-	S	WD		6	HM	H1	J1	-	-	-	-	118
200	E	3'-0"x7'-0"	13/4"	-	S	WD	KICK PLATES BOTH SIDES	9	HM	H1	J1	-	1 HR.	-	-	200
201		NOT USED														201
202	D	3'-0"x7'-0"	13/4"	-	S	WD		9	HM	H1	J1	-	1 HR.	-	-	202
203	D	3'-0"x7'-0"	13/4"	-	S	WD		9	HM	H1	J1	-	-	-	-	203
204	D	3'-0"x7'-0"	13/4"	-	S	WD		9	HM	H1	J1	-	-	-	-	204
205	C	3'-0"x7'-0"	13/4"	-	S	WD		6	HM	H1	J1	-	-	-	-	205
206	D	2'-0"x7'-0"	13/4"	-	S	WD		9	HM	H1	J1	-	-	-	-	206

- ALL HARDWARE TO BE US26D FINISH - W/ LEVER TYPE HANDLE
- PROVIDE BLOCKING FOR ALL HARDWARE
- PAINT ALL HOLLOW METAL FRAMES P1



AI HEAD & JAMB DETAIL

AII DOOR SCHEDULE