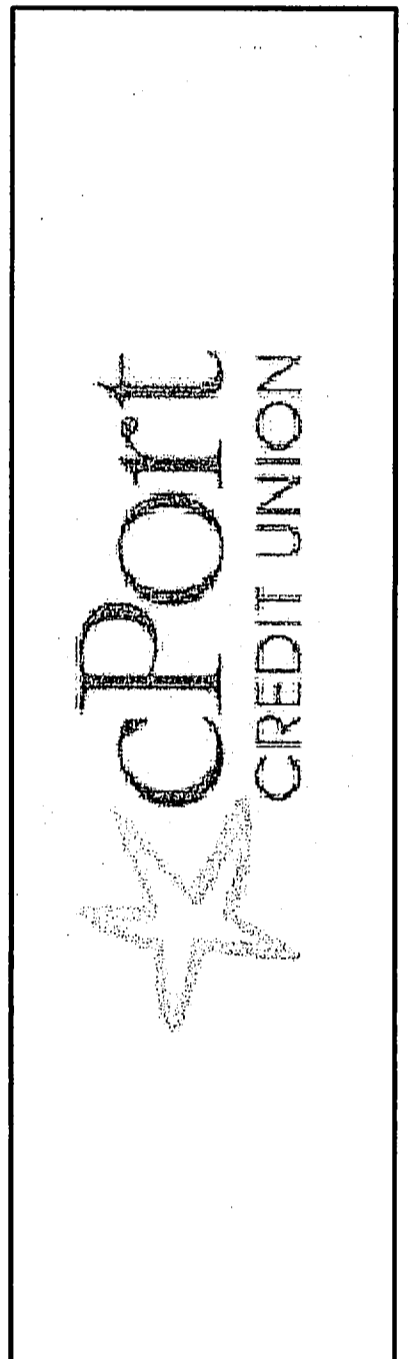


Gawron Turgeon ARCHITECTS
 29 Black Point Road
 Scarborough, Maine 04074
 www.gawronturjeon.com
 207-883-4307 ext. 207-883-0361 fax



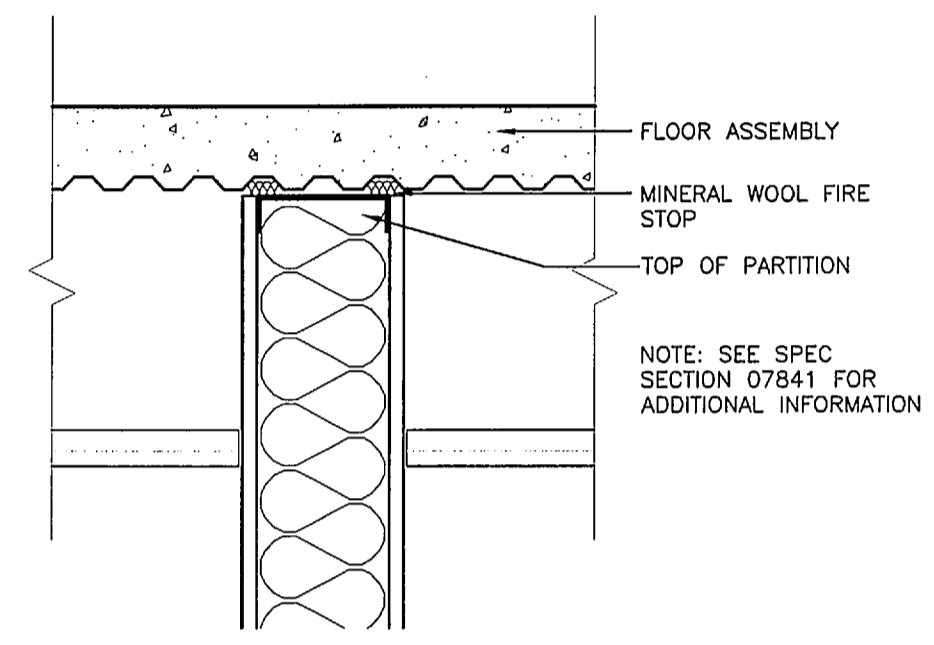
REVISIONS		
#	DATE	DESCRIPTION
1	10/05/11	ISSUED FOR PERMITTING ONLY

DATE	10-05-11
PROJECT #	030311
DRAWN BY:	DLP
CHECKED BY:	SWG
DRAWING SCALE	1/4"=1'-0"

SHEET TITLE
 PARTITION TYPES
 CEILING/FLOOR
 ASSEMBLIES

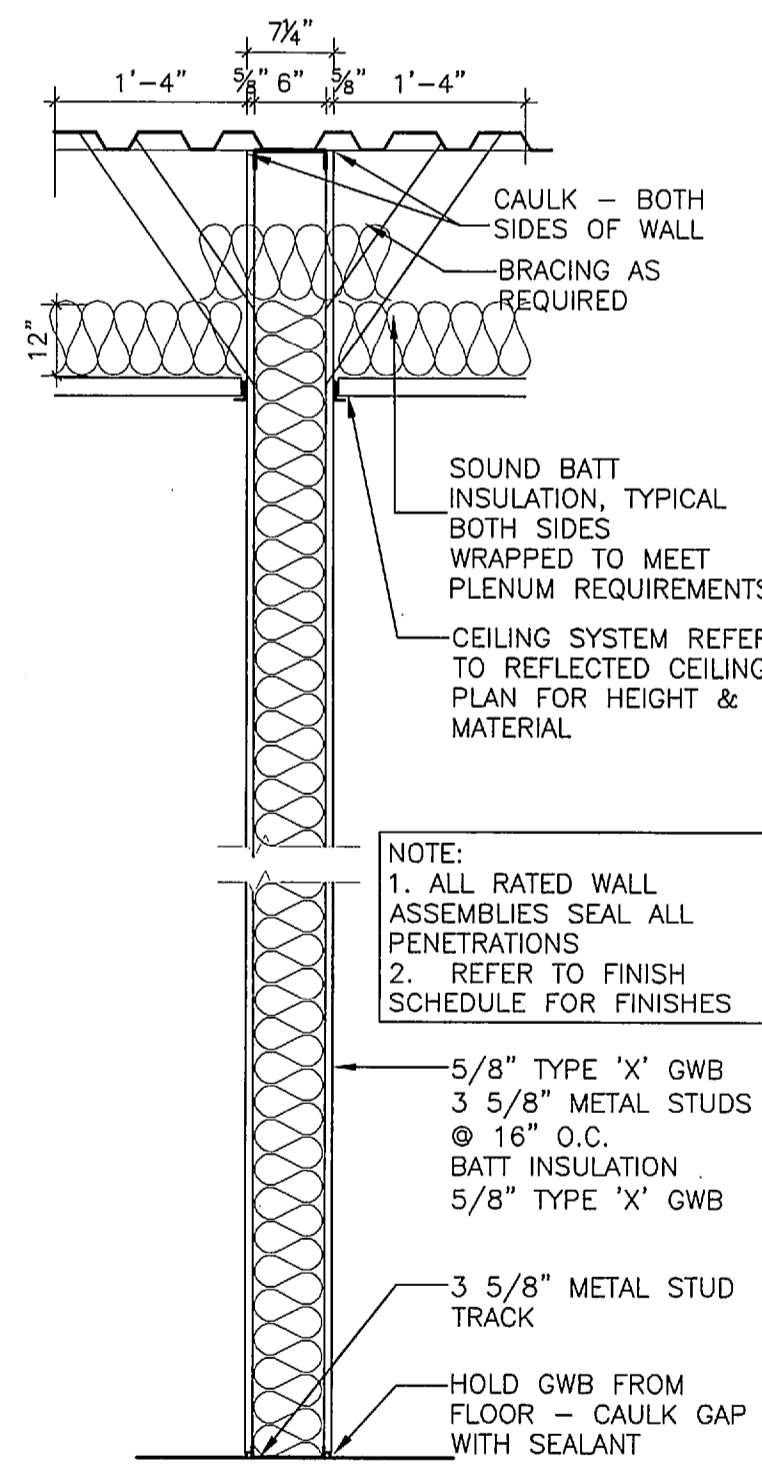
A001

© COPYRIGHT 1985-2008
 REPRODUCTION OR USE OF THIS
 DOCUMENT WITHOUT WRITTEN
 PERMISSION OF GAWRON TURGEON
 ARCHITECTS IS PROHIBITED.

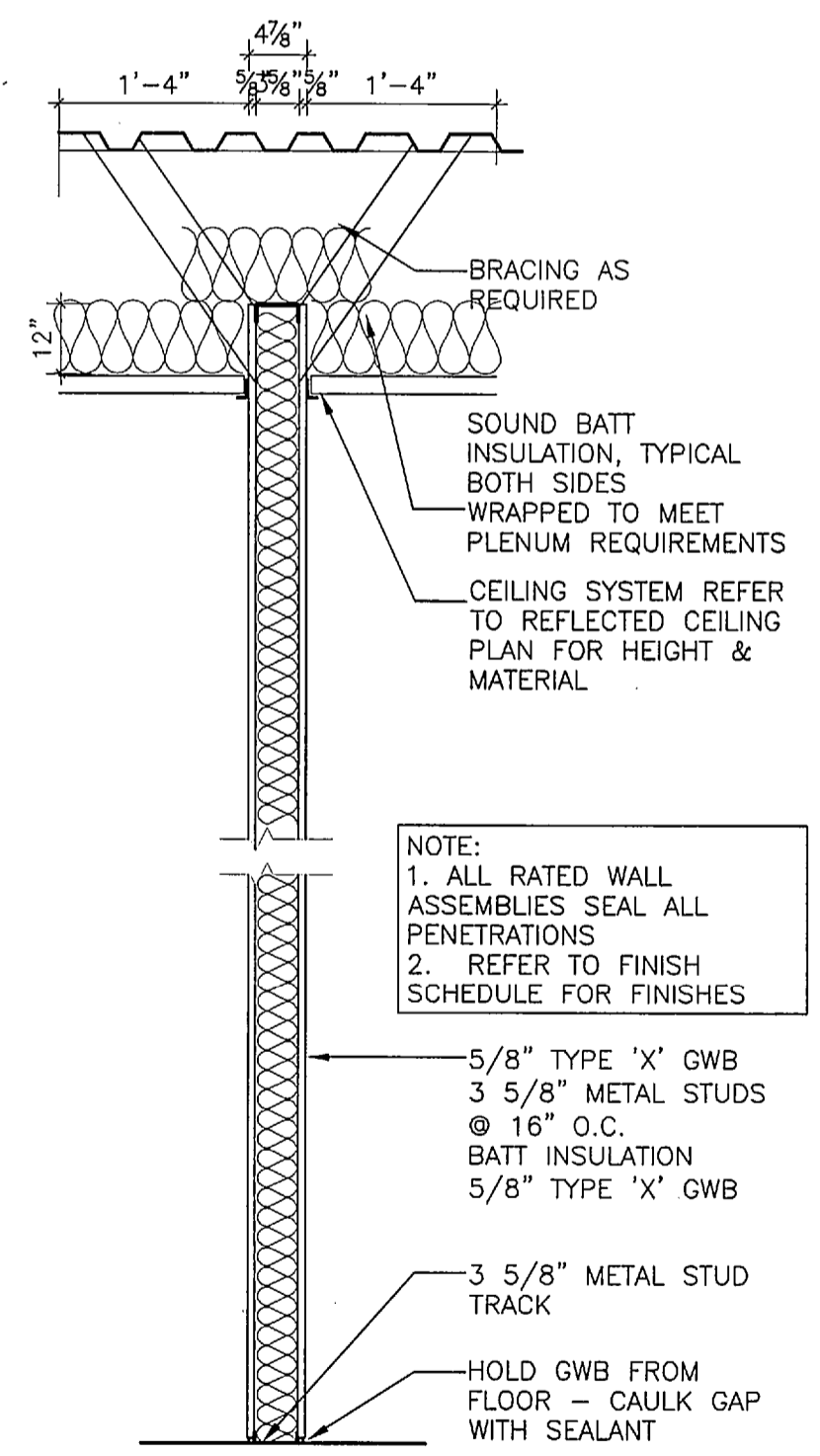


K12 FIRESTOPPING DETAIL

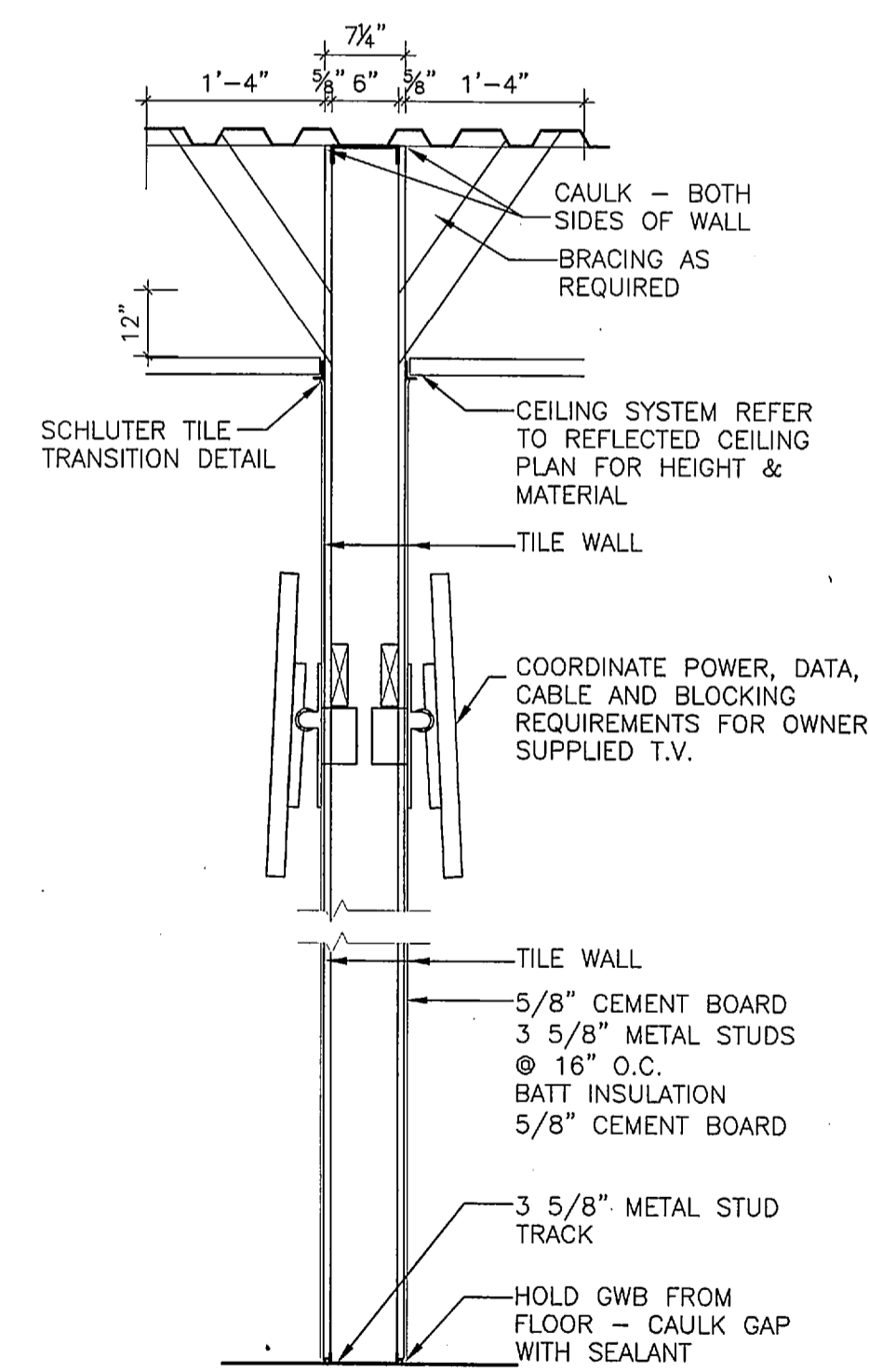
1/2"=1'-0"



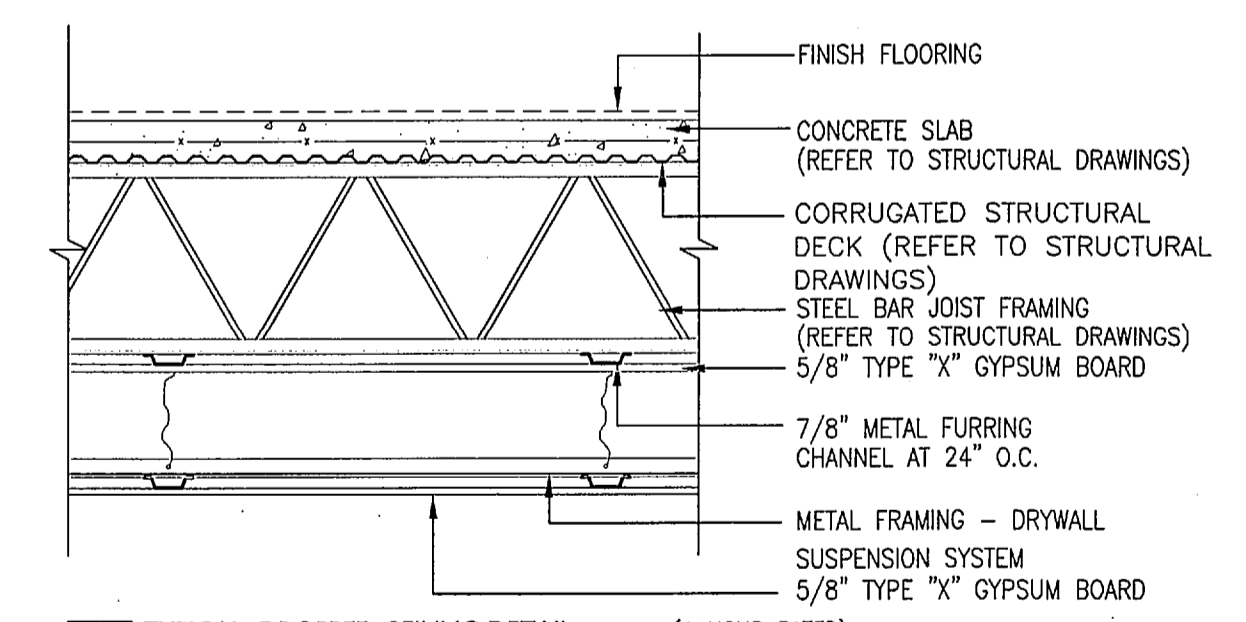
W1 WALL DETAIL (NON RATED)
 SCALE 3/4"=1'-0"
W1A WALL DETAIL (1) HR. RATED
 SCALE 3/4"=1'-0"



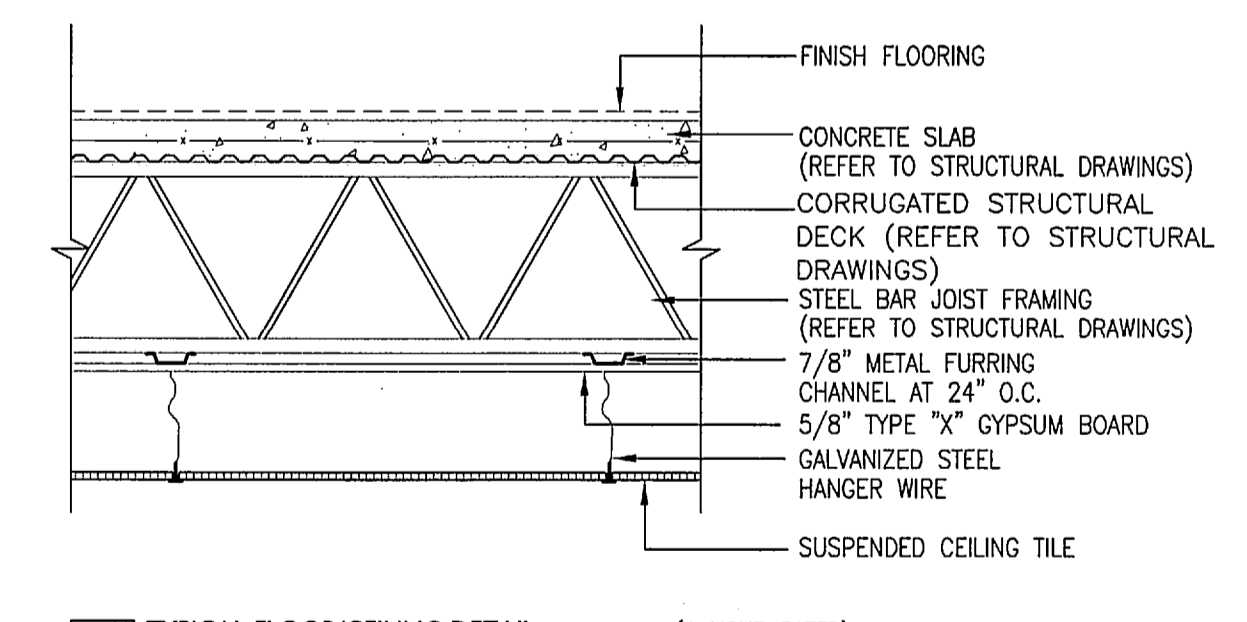
W2 WALL DETAIL (NON RATED)
 SCALE 3/4"=1'-0"



W3 WALL DETAIL (NON RATED)
 SCALE 3/4"=1'-0"



C1 TYPICAL DROPPED CEILING DETAIL (1 HOUR RATED)
 G.W.B. CEILINGS
 U.L. DES: G501 SIM.
 STC: N/A
 SCALE: 3/4"=1'-0"



C2 TYPICAL FLOOR/CEILING DETAIL (1 HOUR RATED)
 SUSPENDED CEILINGS
 U.L. DES: G501 SIM.
 STC: N/A
 SCALE: 3/4"=1'-0"

AI CEILING ASSEMBLIES

3/4"=1'-0"

AI PARTITION TYPES

3/4"=1'-0"