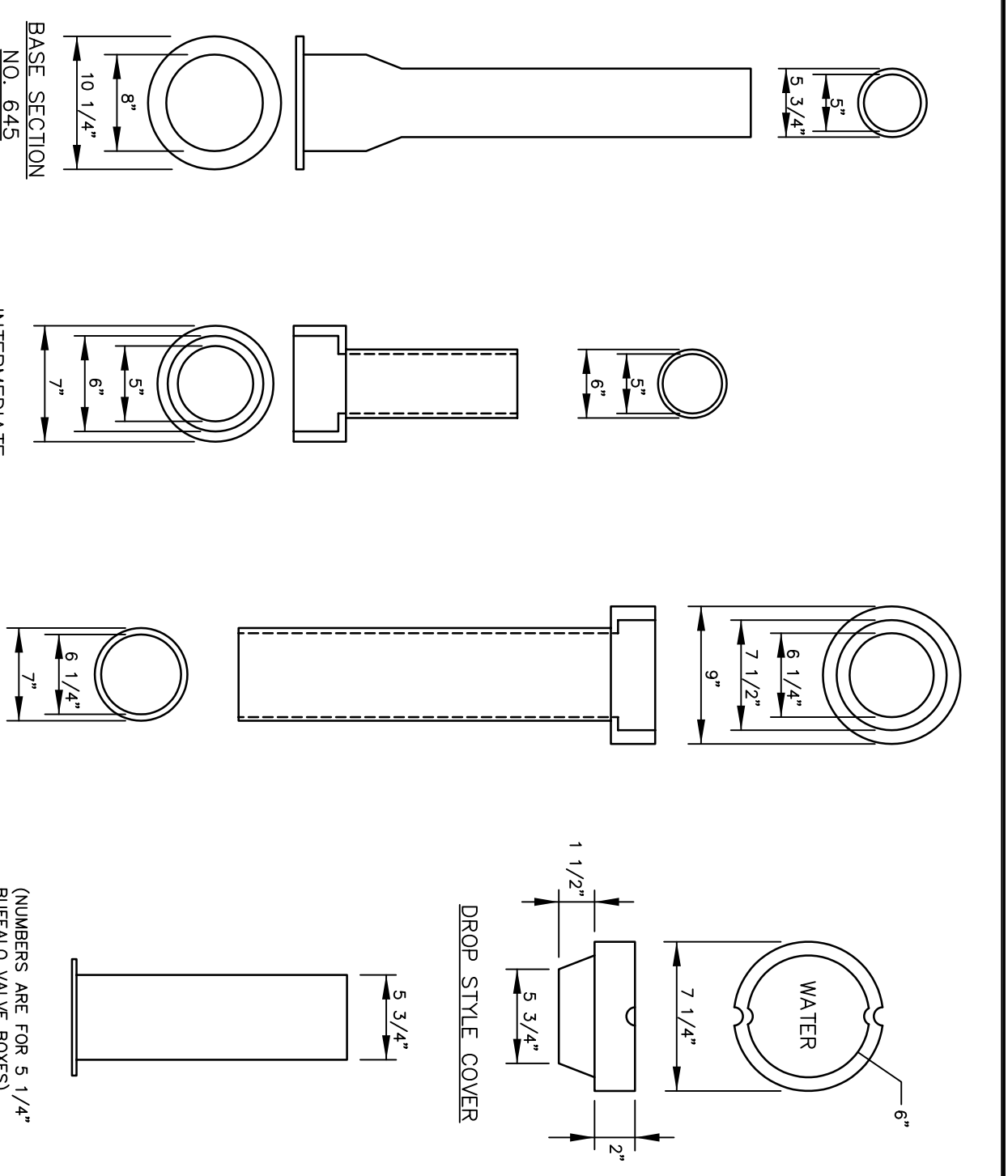
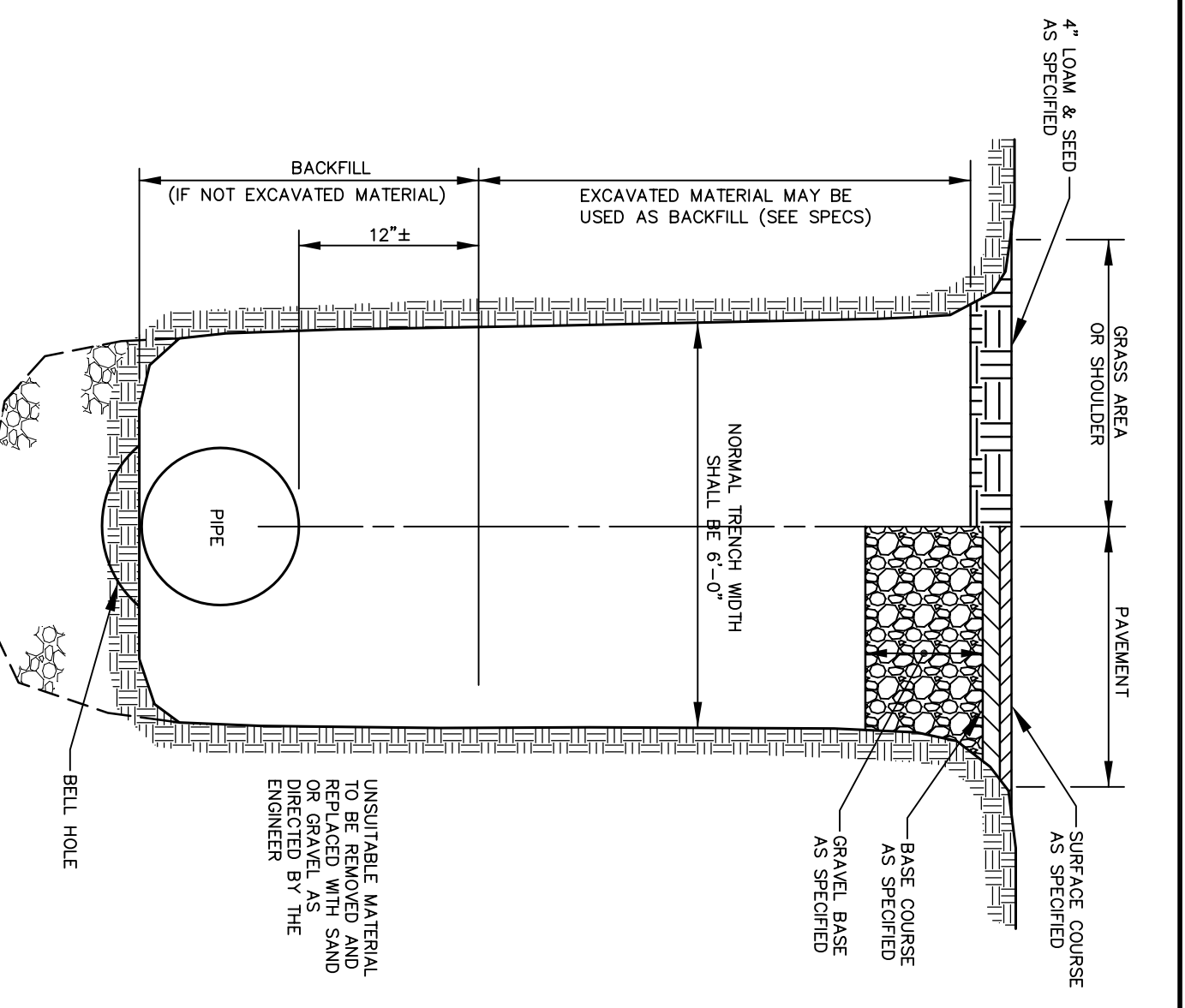


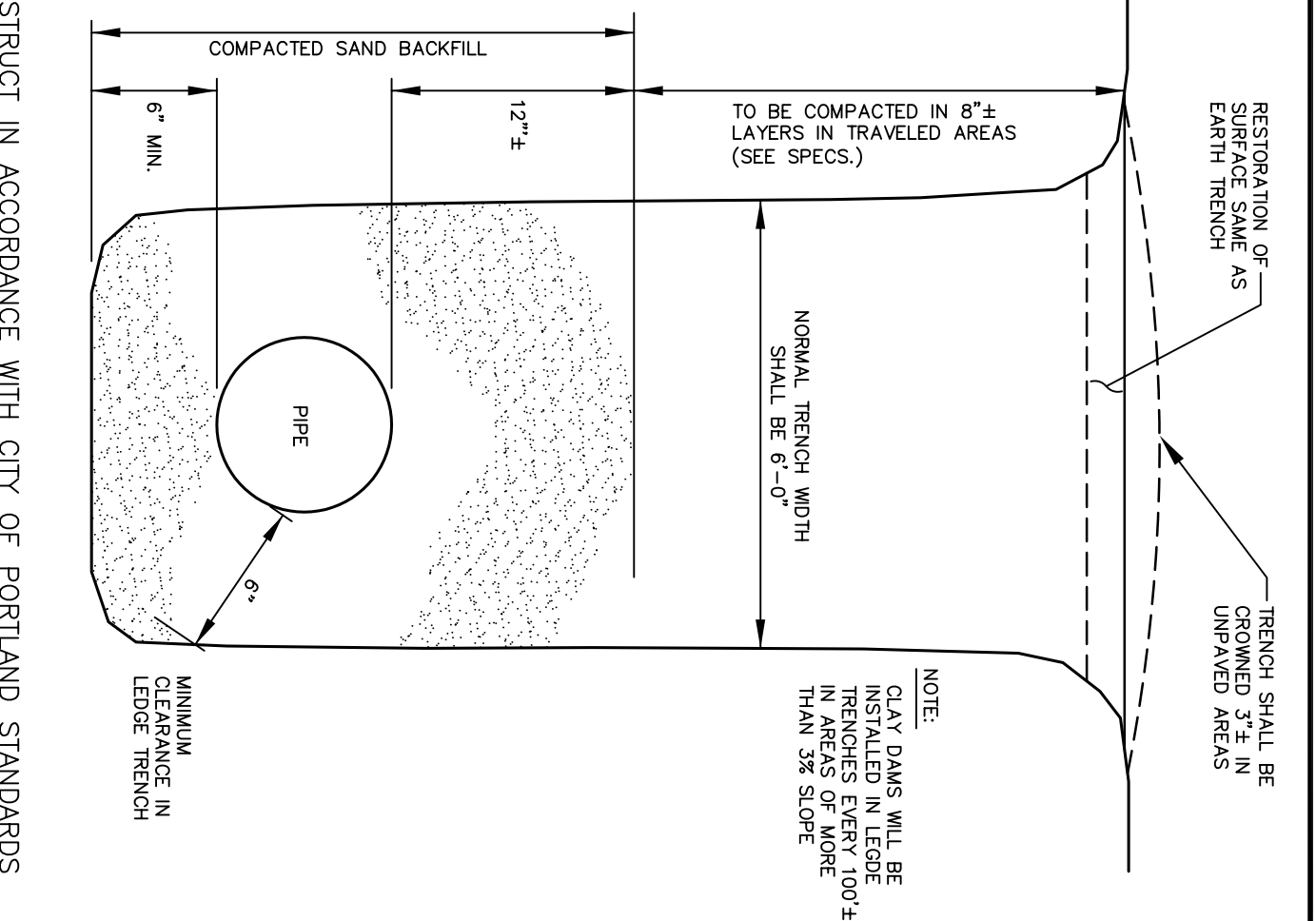
CONSTRUCT IN ACCORDANCE WITH CITY OF PORTLAND STANDARDS



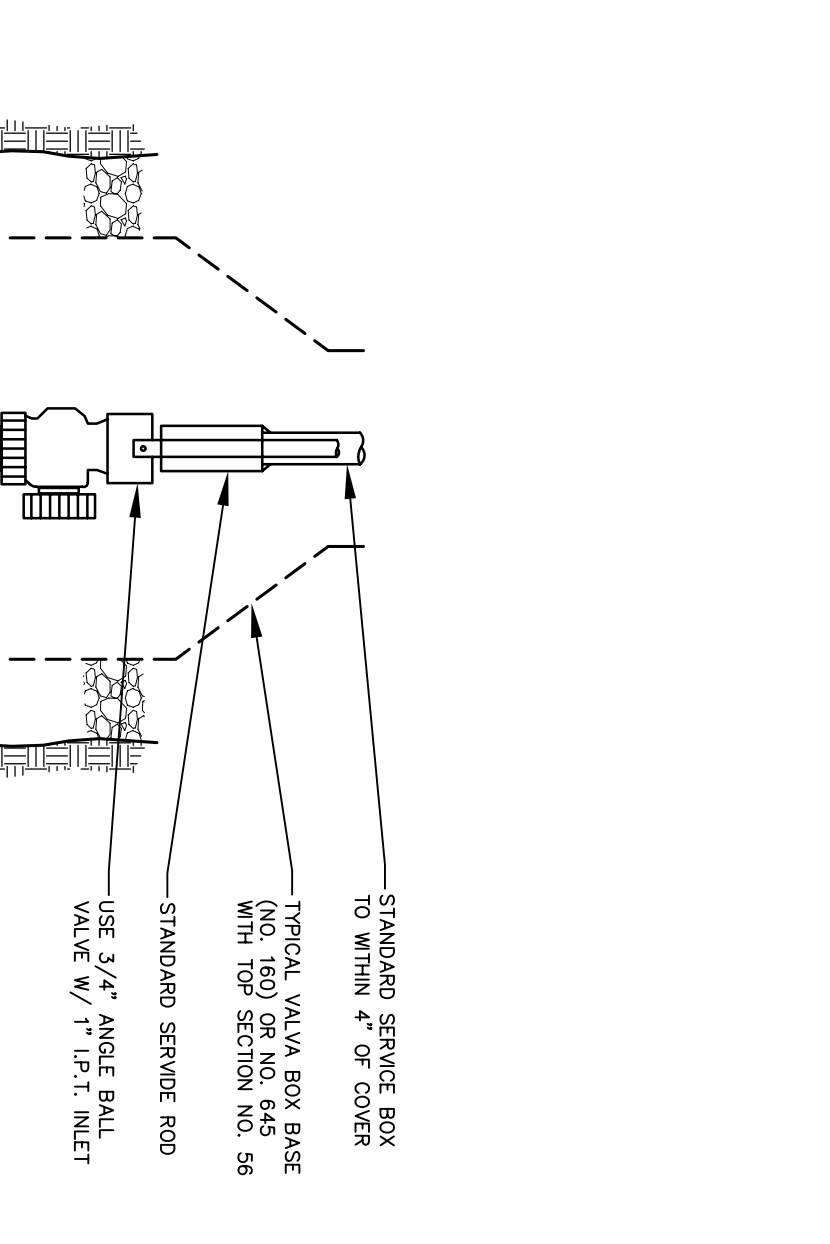
CONSTRUCT IN ACCORDANCE WITH CITY OF PORTLAND STANDARDS



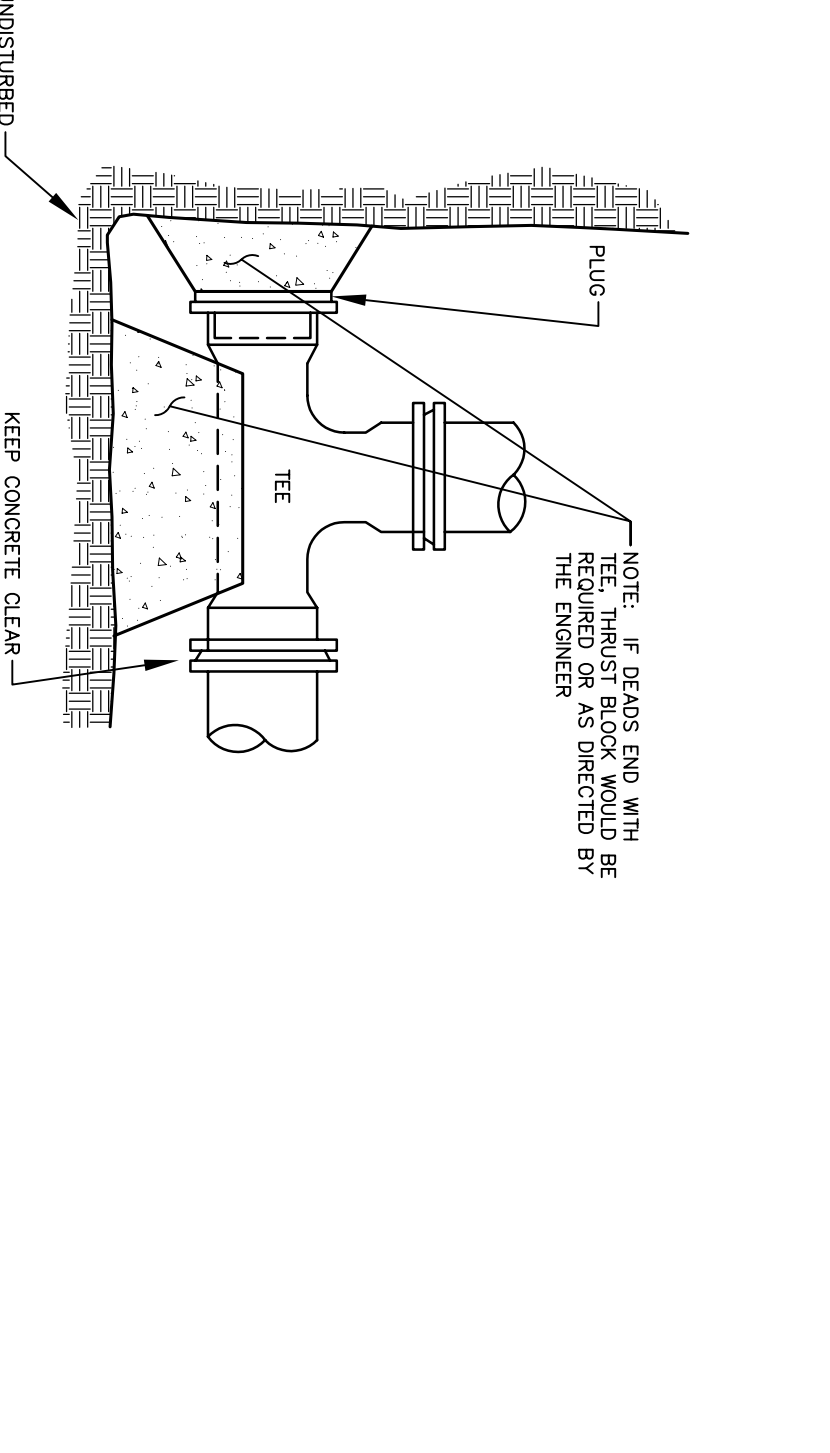
CONSTRUCT IN ACCORDANCE WITH CITY OF PORTLAND STANDARDS



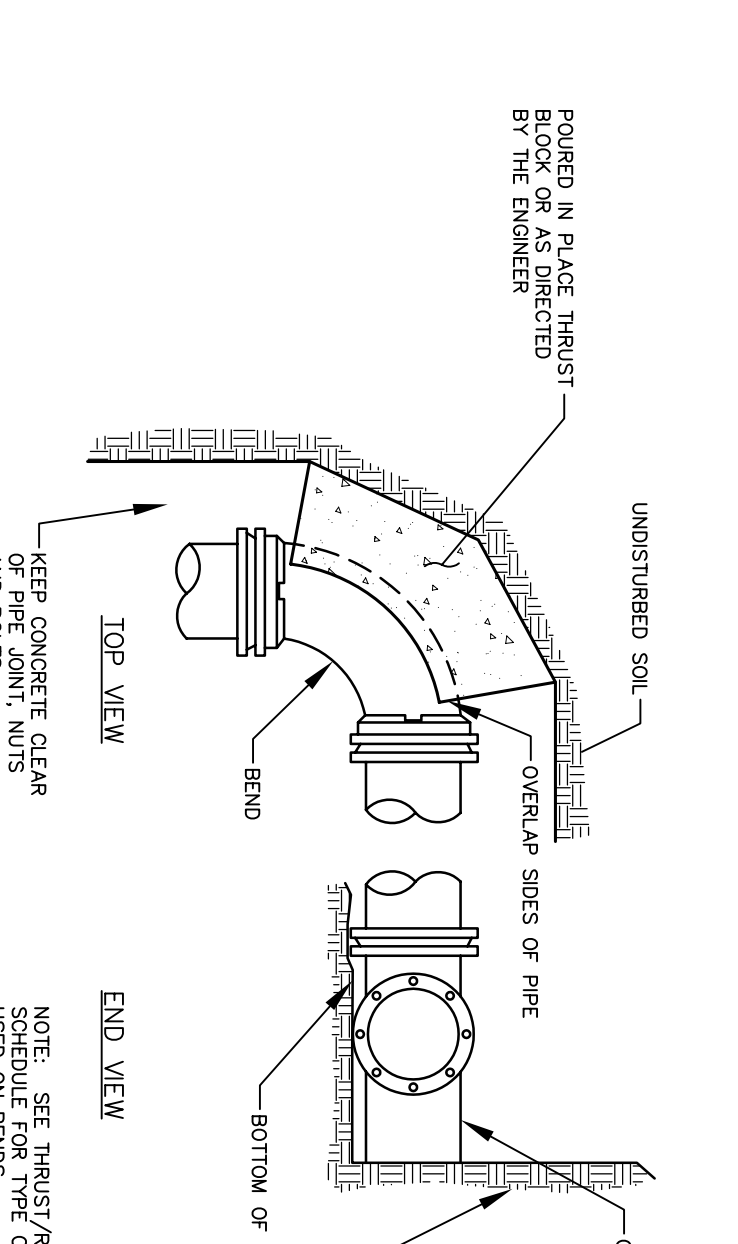
CONSTRUCT IN ACCORDANCE WITH CITY OF PORTLAND STANDARDS



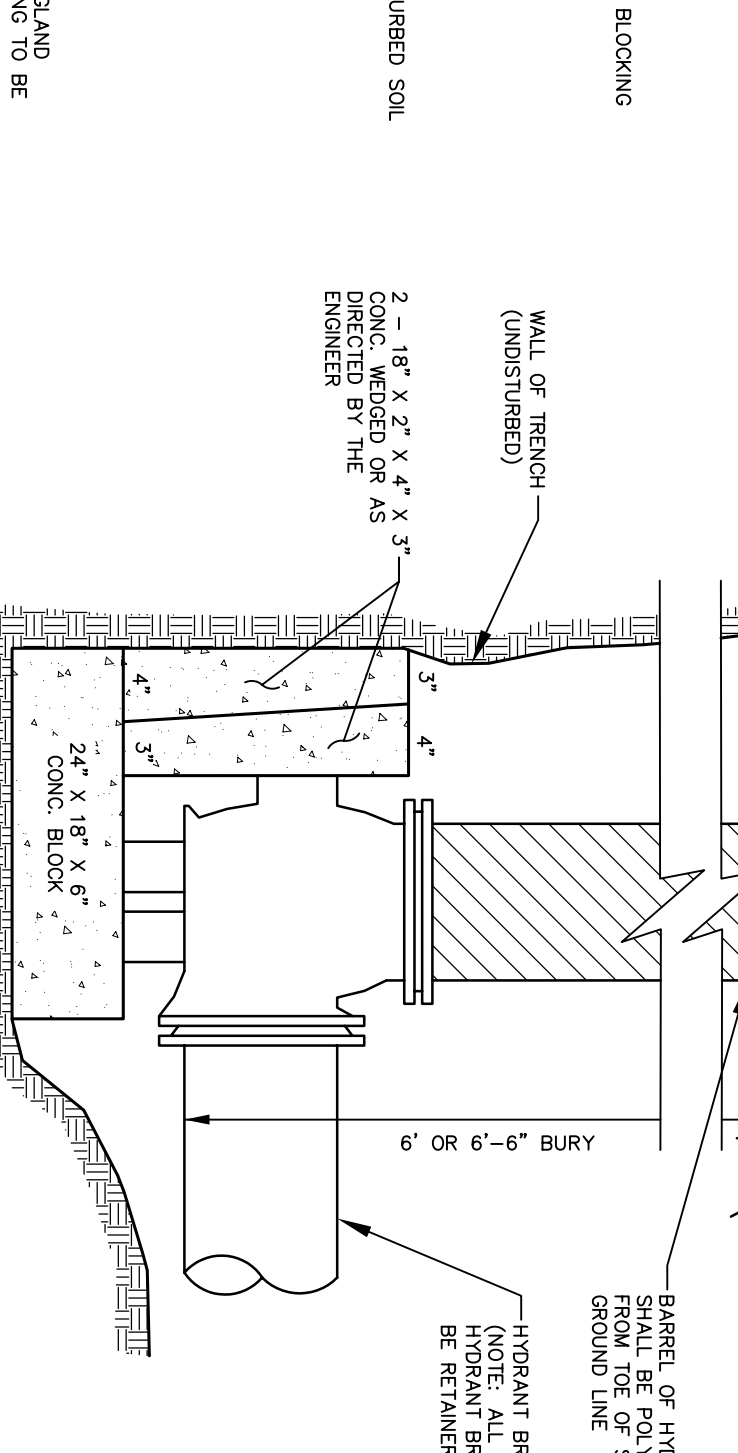
CONSTRUCT IN ACCORDANCE WITH CITY OF PORTLAND STANDARDS



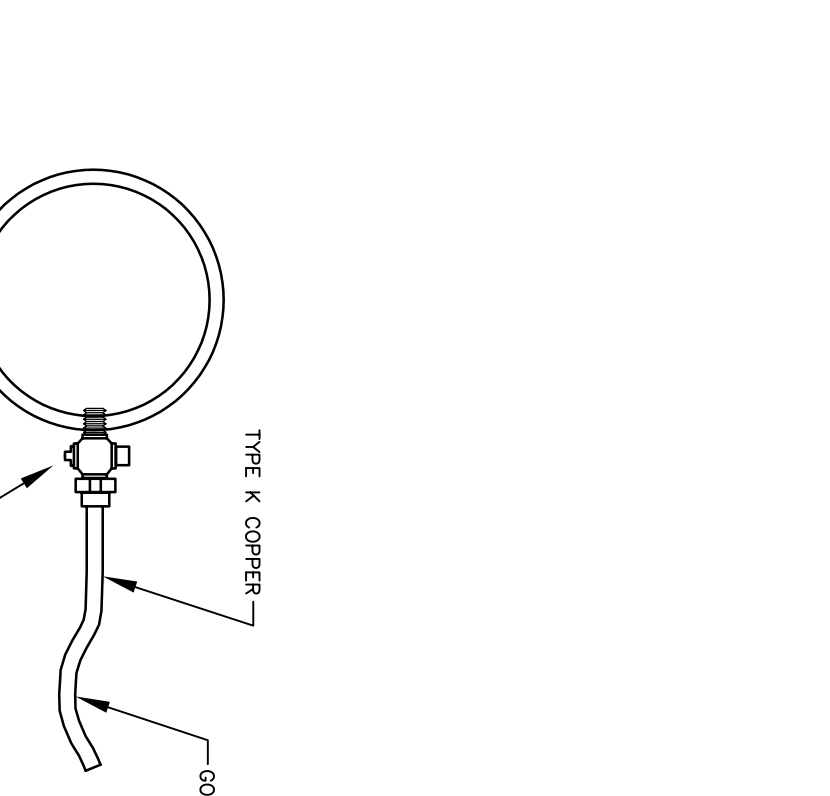
CONSTRUCT IN ACCORDANCE WITH CITY OF PORTLAND STANDARDS



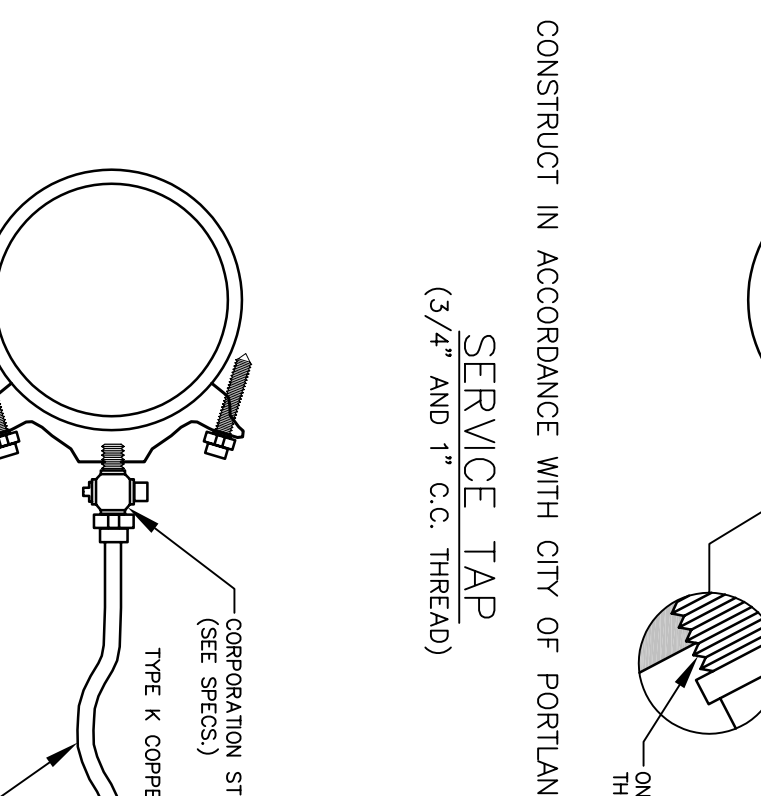
CONSTRUCT IN ACCORDANCE WITH CITY OF PORTLAND STANDARDS



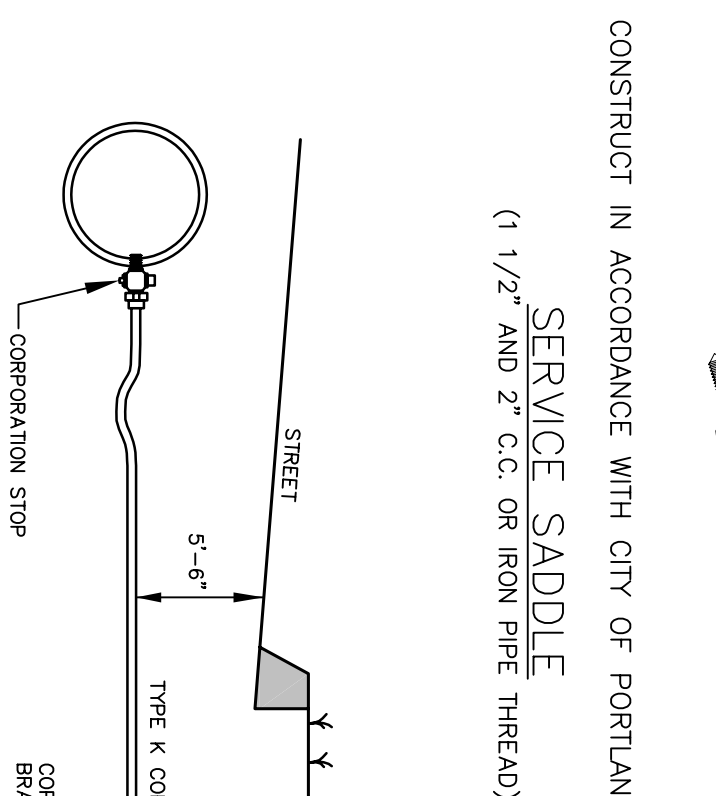
CONSTRUCT IN ACCORDANCE WITH CITY OF PORTLAND STANDARDS



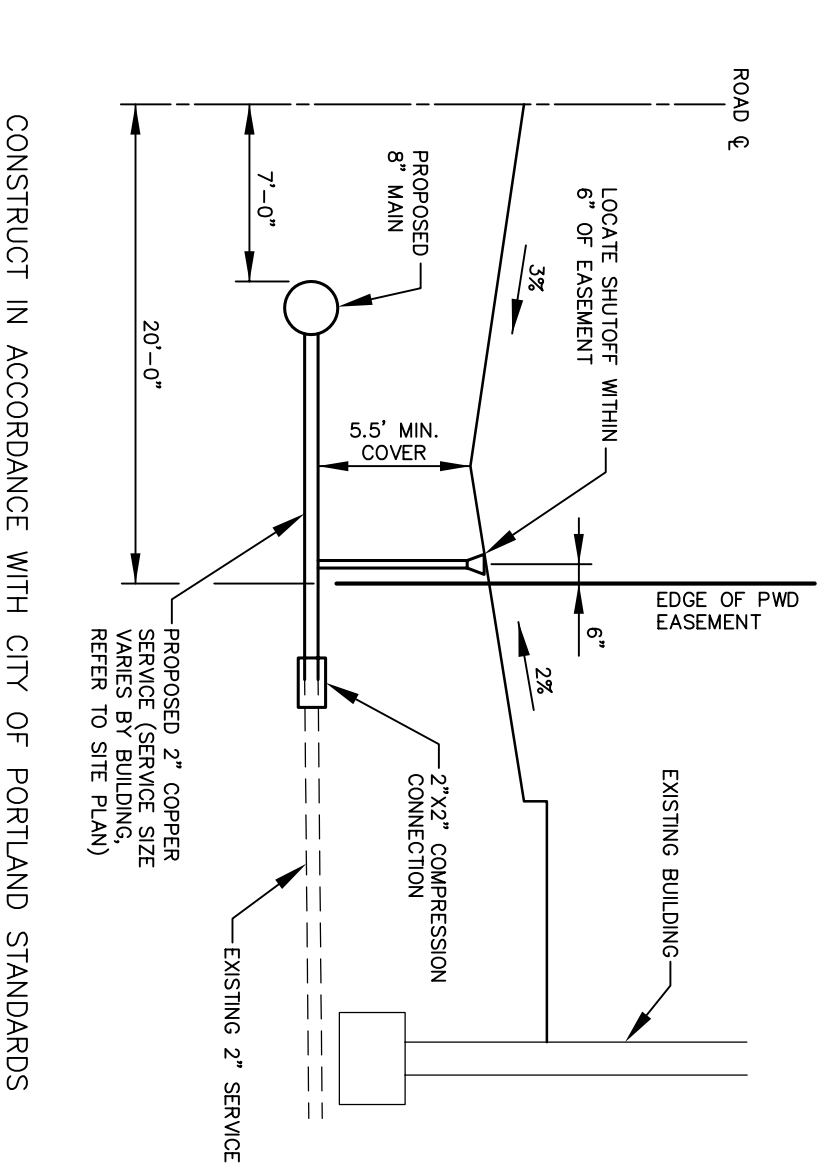
CONSTRUCT IN ACCORDANCE WITH CITY OF PORTLAND STANDARDS



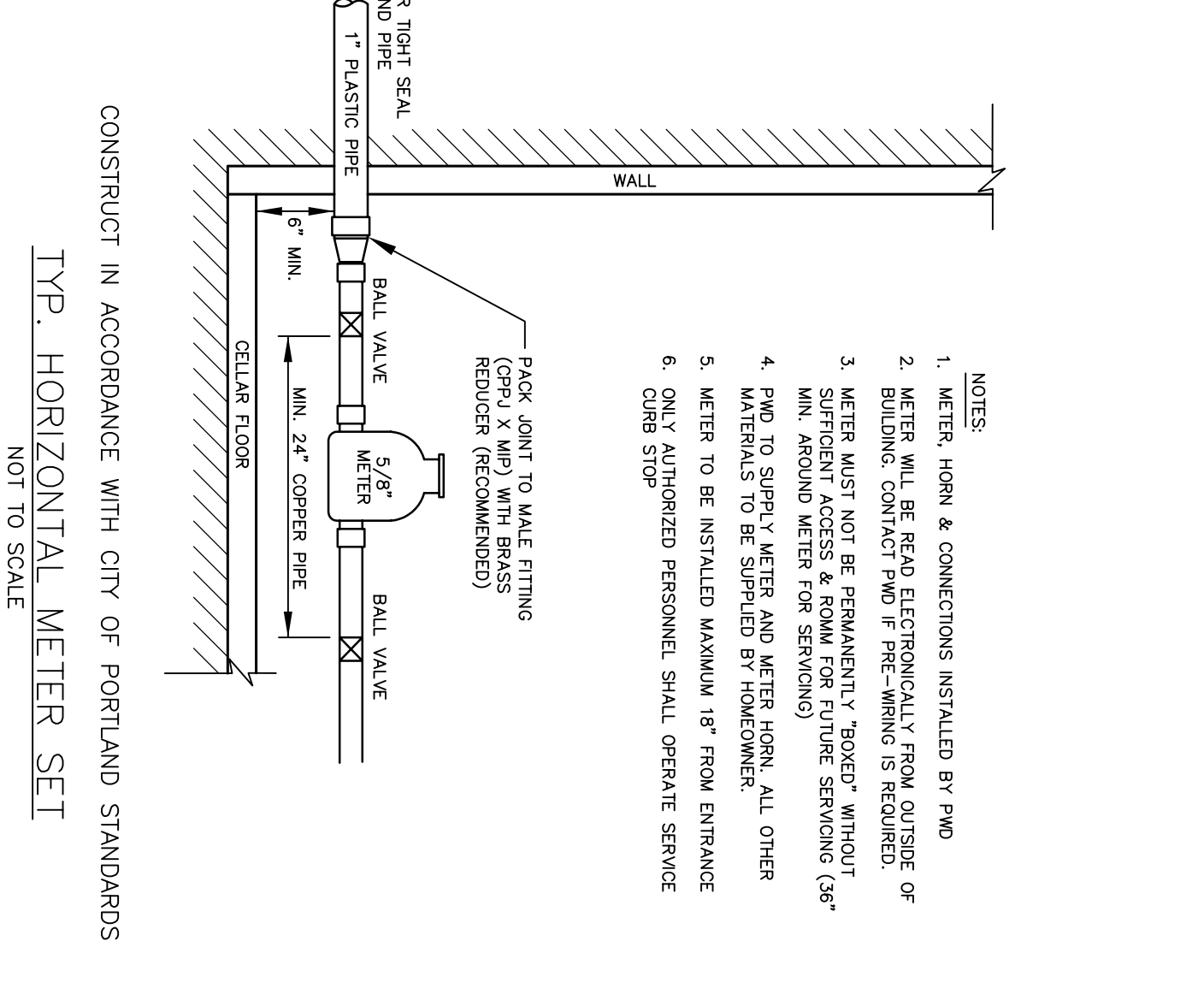
CONSTRUCT IN ACCORDANCE WITH CITY OF PORTLAND STANDARDS



CONSTRUCT IN ACCORDANCE WITH CITY OF PORTLAND STANDARDS



CONSTRUCT IN ACCORDANCE WITH CITY OF PORTLAND STANDARDS



CONSTRUCT IN ACCORDANCE WITH CITY OF PORTLAND STANDARDS

**NCS** Northeast Civil Solutions  
 SURVEYING ENGINEERING LAND PLANNING ARCHITECTS  
 153 US ROUTE 1, SCARBOROUGH, MAINE 04074  
 Tel: 207.883.1200 Fax: 207.883.1001  
 Email: info@nesteastcivilsolutions.com

**Gawron Turgeon ARCHITECTS**  
 202 Brook Road, Portland, ME 04106  
 Tel: 207-883-8307 Fax: 207-883-0341

**cPORT CREDIT UNION**  
 285 FOREST AVE  
 PORTLAND, MAINE

**REVISIONS**

#	DATE	DESCRIPTION

DATE: \_\_\_\_\_  
 PROJECT # \_\_\_\_\_  
 DRAWN BY: \_\_\_\_\_  
 CHECKED BY: \_\_\_\_\_  
 DRAWING SCALE: AS NOTED

**SHEET TITLE**  
 WATER DETAILS

**C-10**

© COPYRIGHT 1985-2008  
 REPRODUCTION OR USE OF THIS DRAWING WITHOUT THE WRITTEN PERMISSION OF GAWRON TURGEON ARCHITECTS IS PROHIBITED.