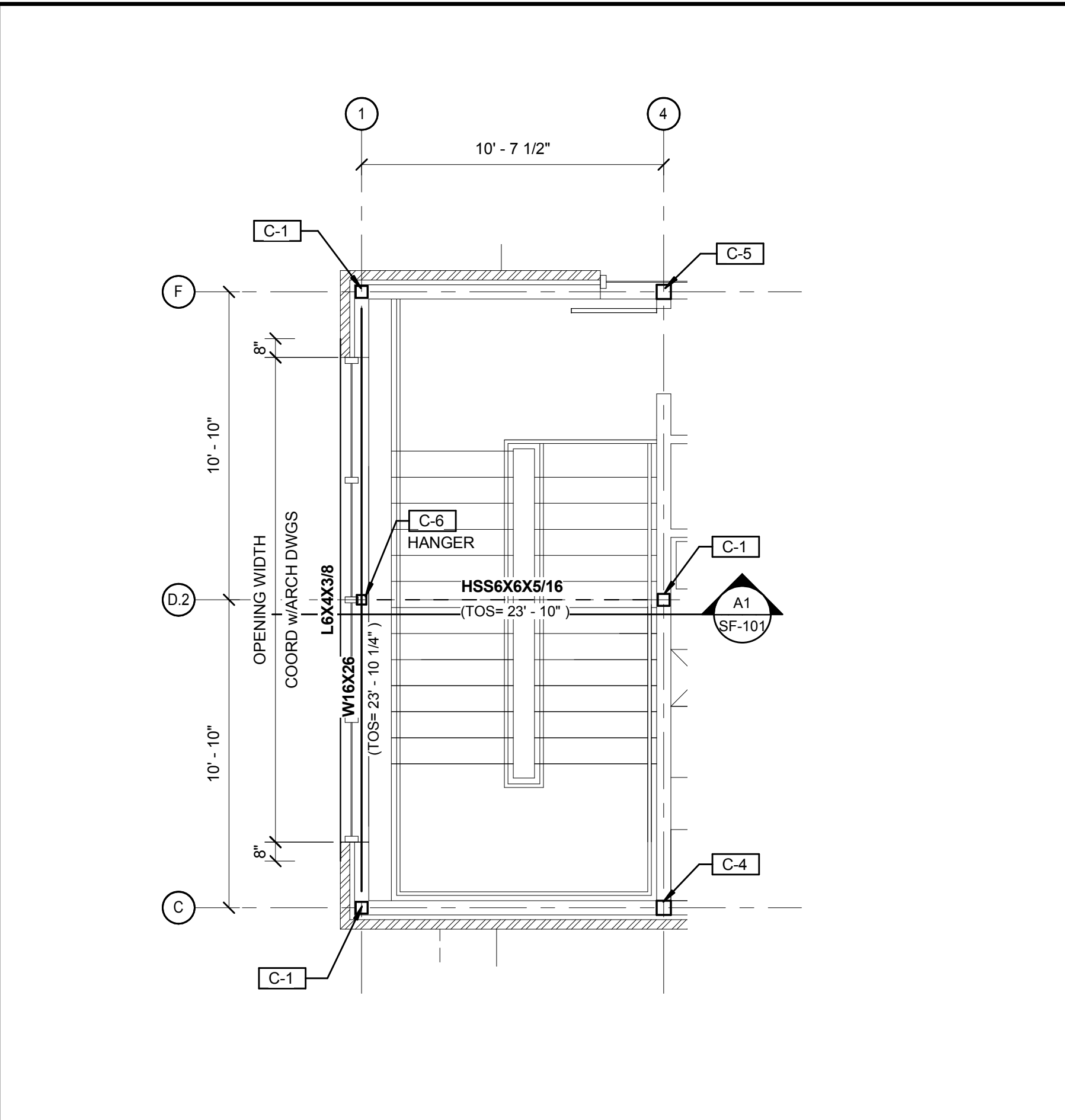
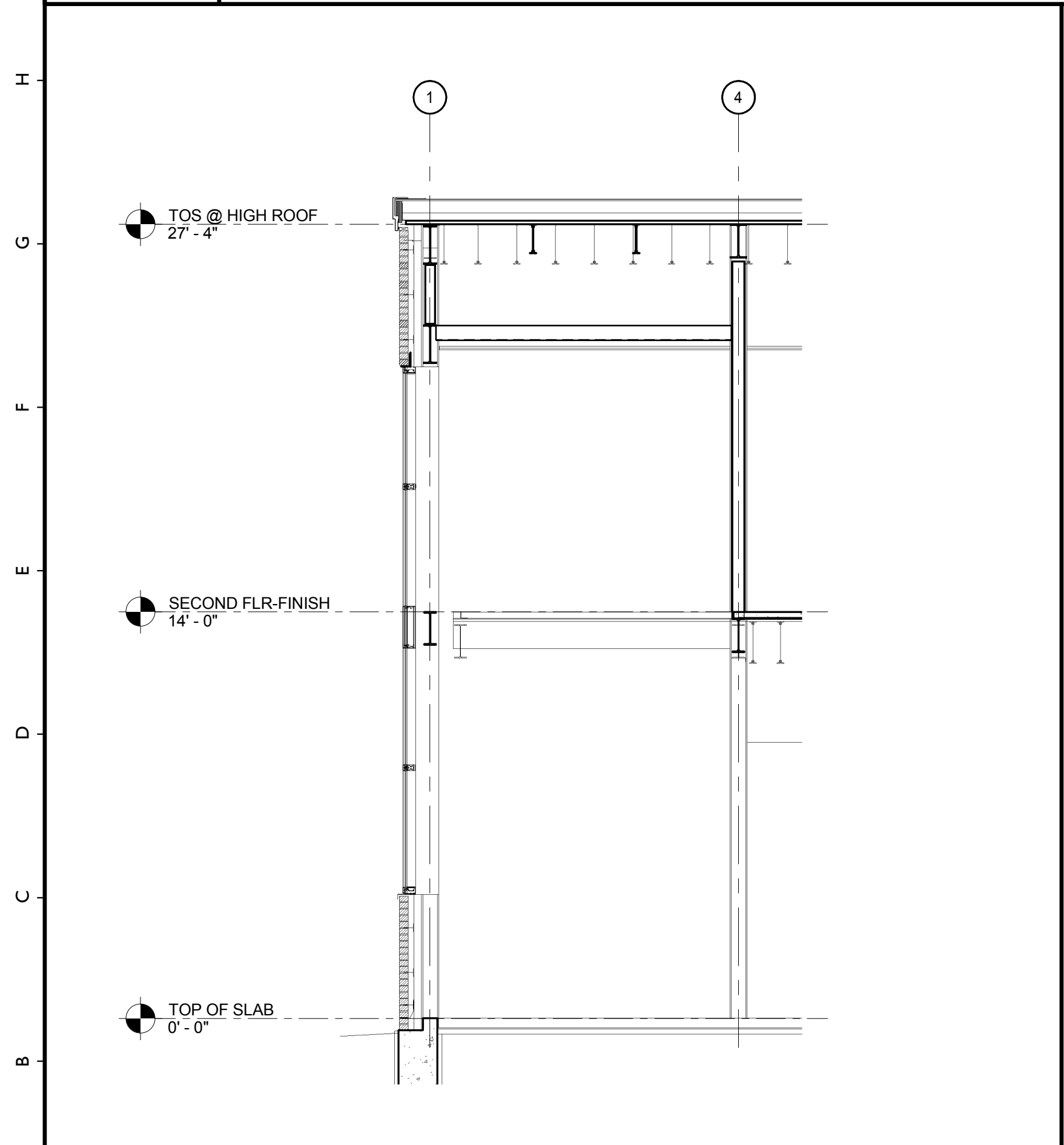


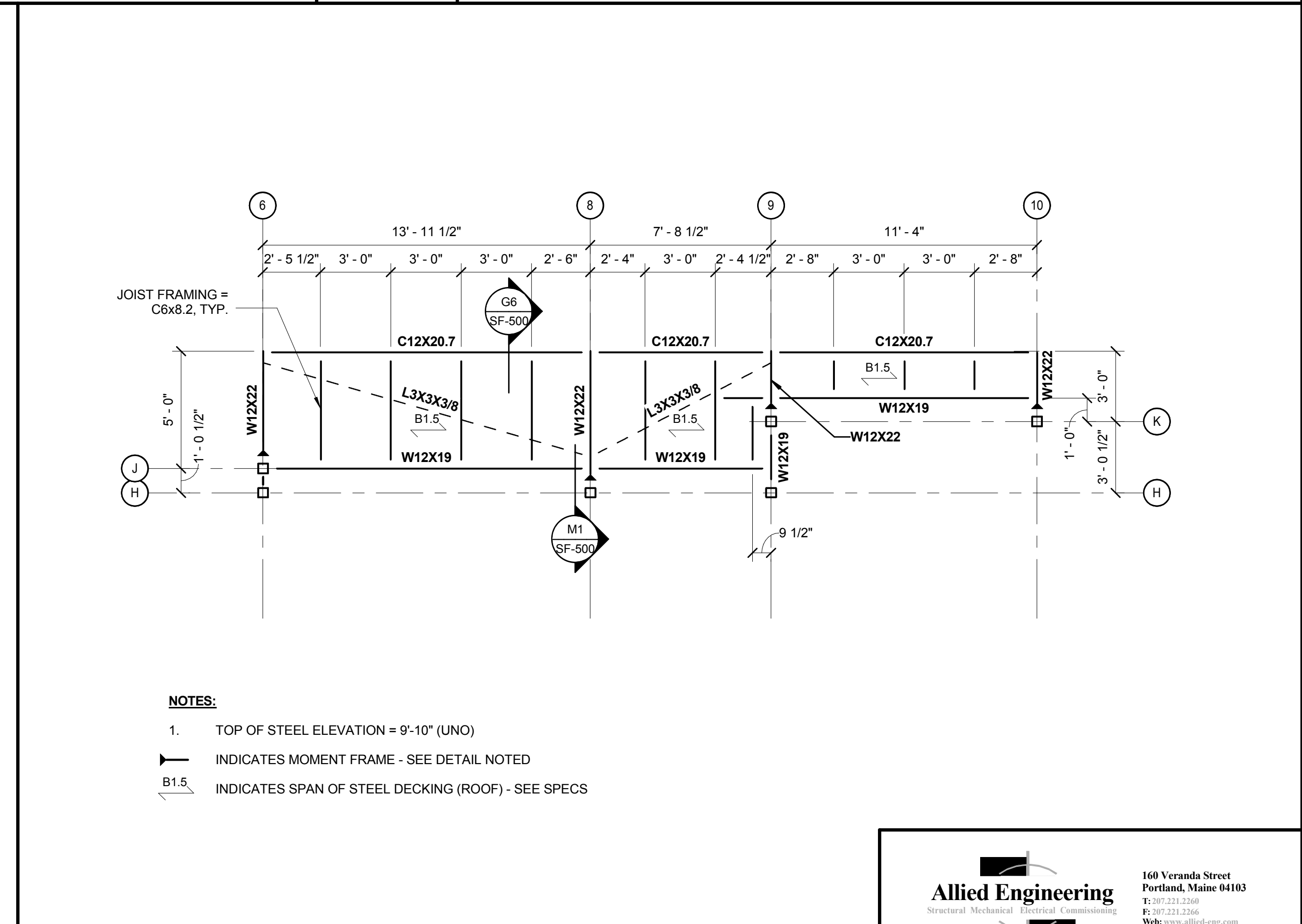
J1 HIGH ROOF FRAMING PLAN  
1/4" = 1'-0"

J14 CLERESTORY FRAMING PLAN  
1/4" = 1'-0"



A1 SECTION AT HORIZONTAL TIE BACK  
1/4" = 1'-0"

A7 PLANVIEW OF HORIZONTAL TIE BACK  
1/4" = 1'-0"



A13 LOW CANOPY FRAMING PLAN  
1/4" = 1'-0"



REVISIONS		
#	DATE	DESCRIPTION

DATE	08.02.2011
PROJECT #	030311
DRAWN BY:	PED
CHECKED BY:	WPF
DRAWING SCALE	1/4" = 1'-0"

SHEET TITLE  
AUDITORIUM  
STRUCTURAL -  
FRAMING PART PLANS  
AND SECTIONS

SF-101

© COPYRIGHT 1985-2009  
REPRODUCTION OR RESALE OF  
THIS DOCUMENT WITHOUT  
WRITTEN PERMISSION FROM  
GAWRON ARCHITECTS IS PROHIBITED

**Allied Engineering**  
Structural Mechanical Electrical Commissioning

160 Veranda Street  
Portland, Maine 04103  
P: 207.221.2266  
F: 207.221.2266  
Web: www.allied-eng.com

AEI PROJECT NO: 11086 CAD FILE: 110865.rvt

90% REVIEW SET - 23 SEPTEMBER 2011 - NOT FOR CONSTRUCTION