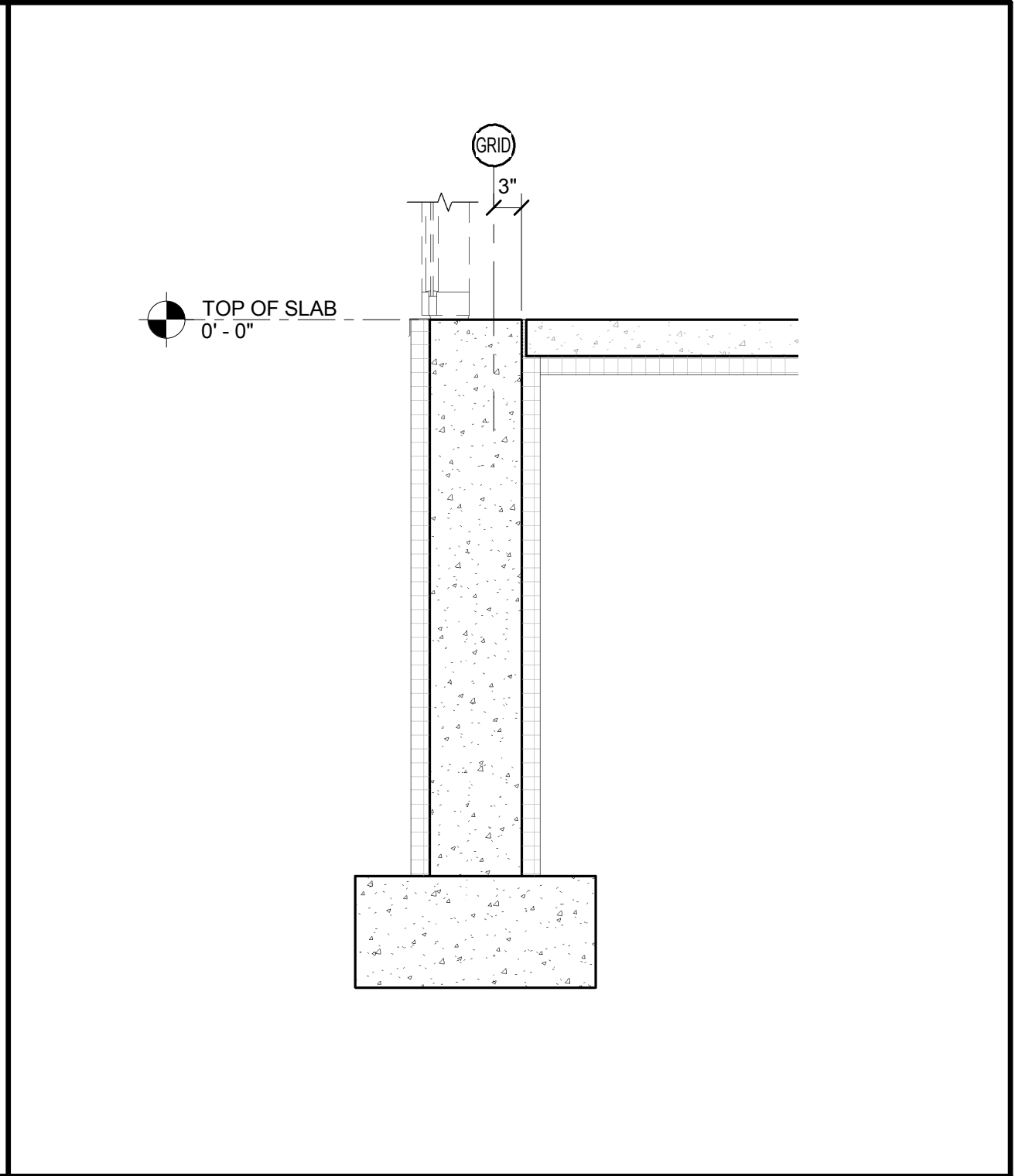
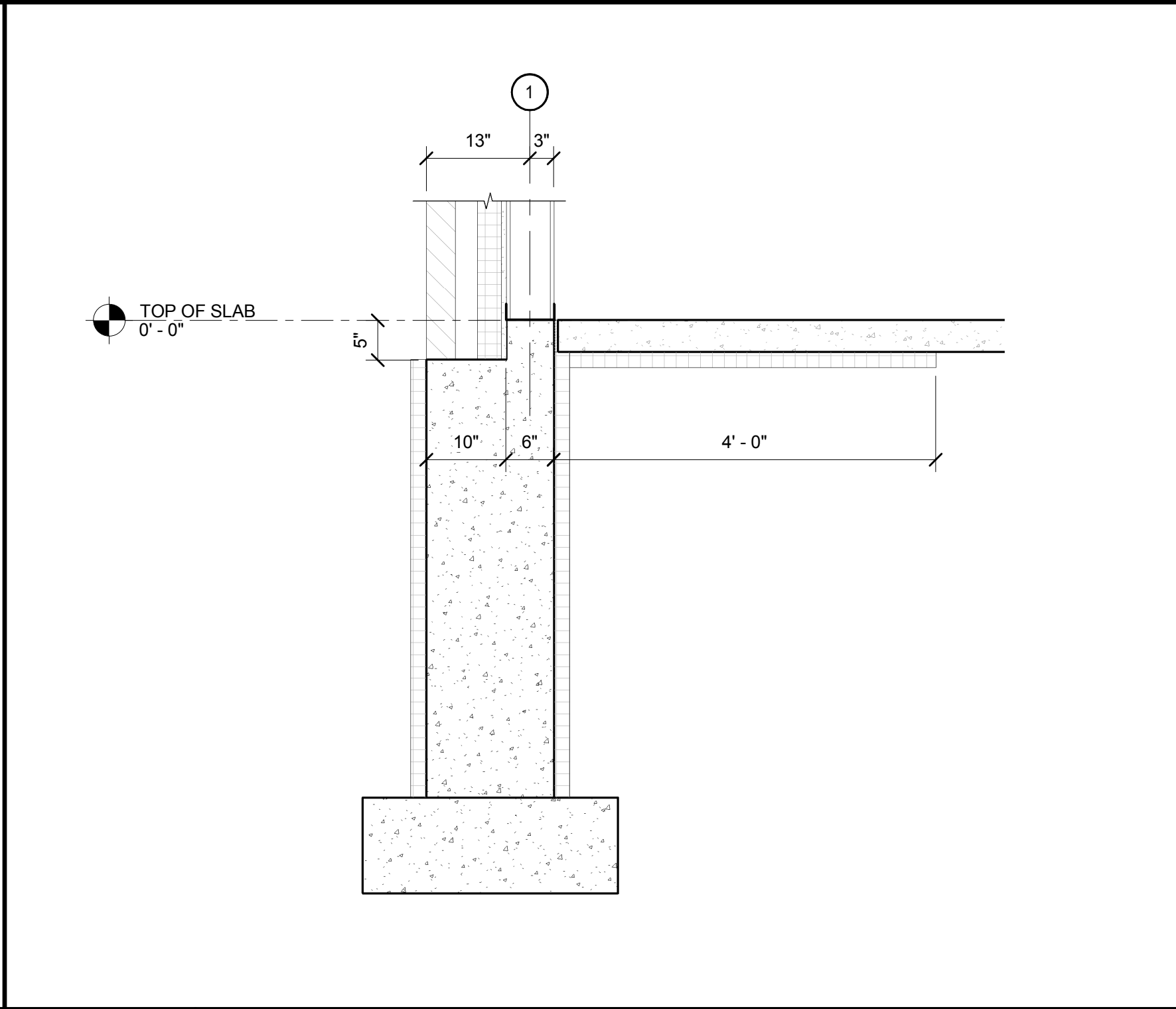
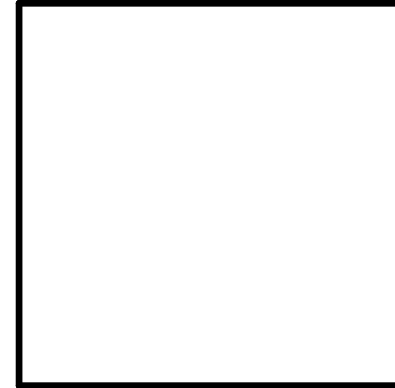


R  
O  
P  
O  
N  
M  
J  
K  
J  
H  
G  
F  
E  
D  
C  
B  
A



L11 TYPICAL 16" WALL w/BRICK SHELF DETAIL  
3/4" = 1'-0"

L17 TYPICAL FOUNDATION WALL DETAIL  
3/4" = 1'-0"



REVISIONS		
#	DATE	DESCRIPTION

DATE	08.02.2011
PROJECT #	030311
DRAWN BY:	PED
CHECKED BY:	WFF
DRAWING SCALE	3/4" = 1'-0"

SHEET TITLE  
AUDITORIUM  
STRUCTURAL  
FOUNDATION DETAILS

**SB-500**

© COPYRIGHT 1985-2009  
REPRODUCTION OR RELEASE  
OF THIS DOCUMENT WITHOUT  
THE WRITTEN PERMISSION OF  
GAWRON ARCHITECTS IS PROHIBITED

**Allied Engineering**  
Structural Mechanical Electrical Commissioning

160 Veranda Street  
Portland, Maine 04103  
Tel: 207.221.2266  
Fax: 207.221.2266  
Web: www.allied-eng.com

AEI PROJECT NO: 11086 CAD FILE: 110865.rvt

2 3 4 5 6 7 8 9 10 11 12 13 14 15 16 17 18 19 20

90% REVIEW SET ~ 23 SEPTEMBER 2011 ~ NOT FOR CONSTRUCTION