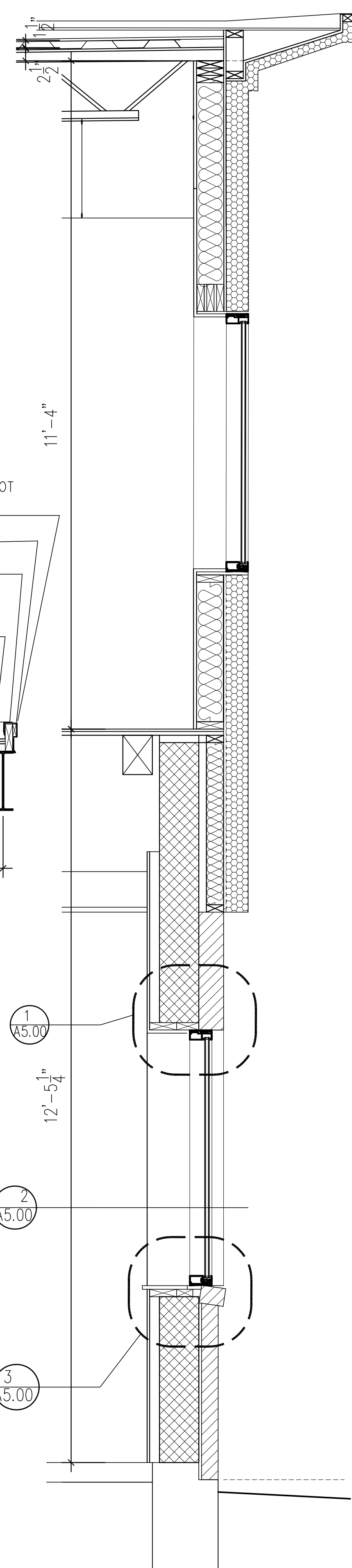
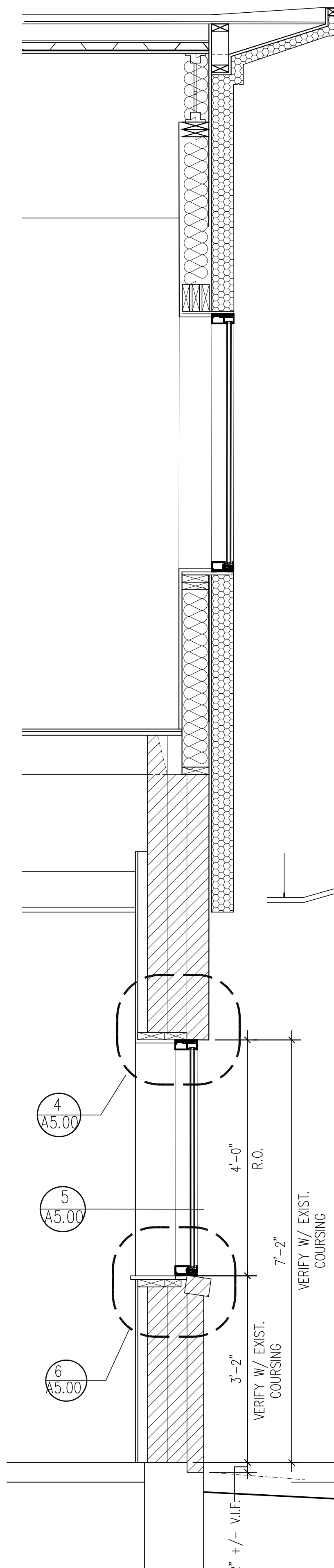


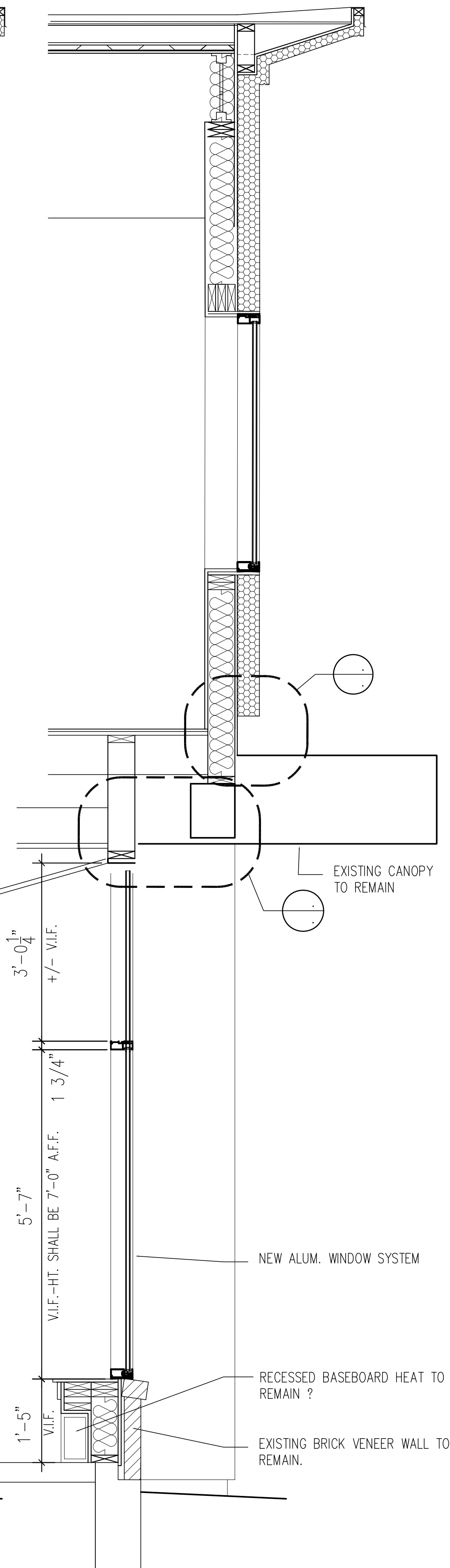
⑤ FRONT BLDG. @ DRIVE & LAWN
SCALE: 3/4" = 1'-0"



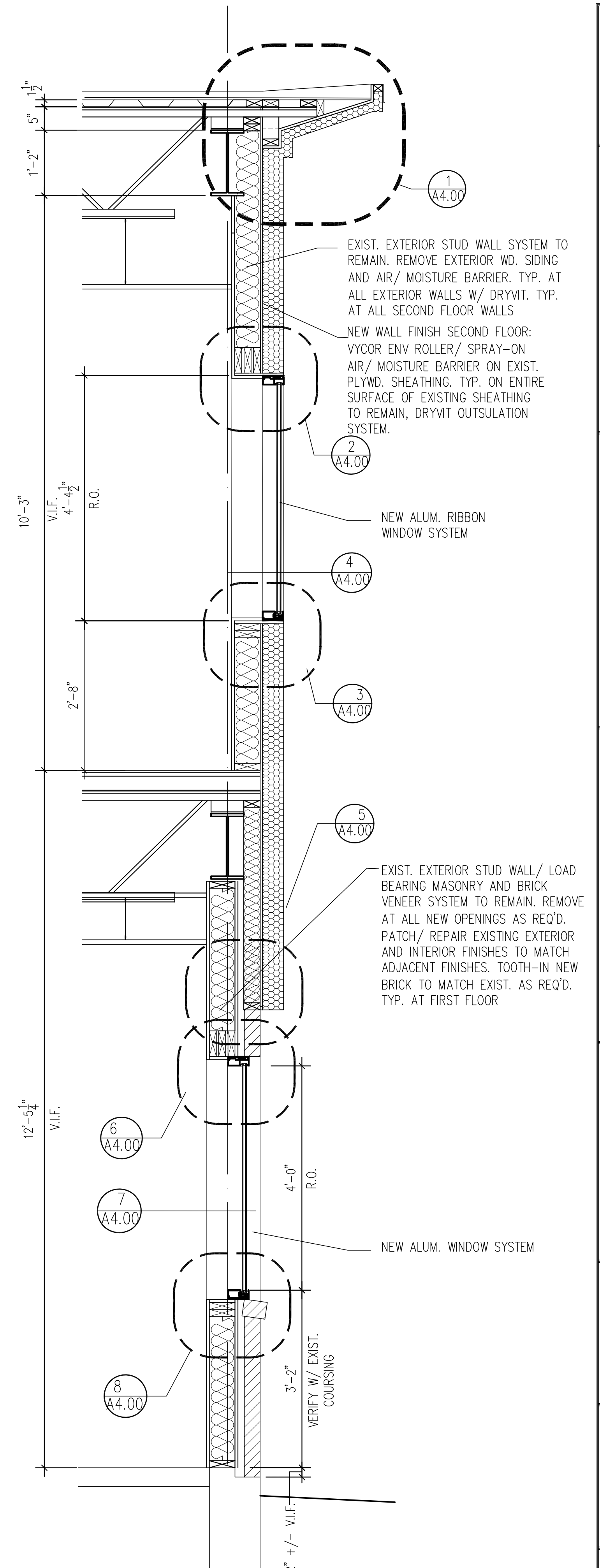
④ FRONT BLDG. @ DRIVE SIDE & SIDE
SCALE: 3/4" = 1'-0"



③ FRONT BLDG. - BAXTER BLVD
SCALE: 3/4" = 1'-0"



② FRONT BLDG. @ BAXTER BLVD RECESS
SCALE: 3/4" = 1'-0"



① REAR BLDG. @ PARKING
SCALE: 3/4" = 1'-0"

OWNER: CHABOT ST. LLC 100 Silver Street Portland, Maine 04101	
PROJECT: 43 BAXTER BLVD. PORTLAND, MAINE	
ARCHITECTS: ARCHETYPE, P.A. ARCHITECTS 48 Union Wharf Portland, Maine 04101 (207) 772-6022 Fax (207) 772-4056	REVISIONS: 5/15/10 - PRELIM. PRICING 06/28/10 - PERMIT
DATE: MAY 15, 2010	SCALE: 3/4" = 1'-0"
BUILDING SECTIONS	
A3.00	