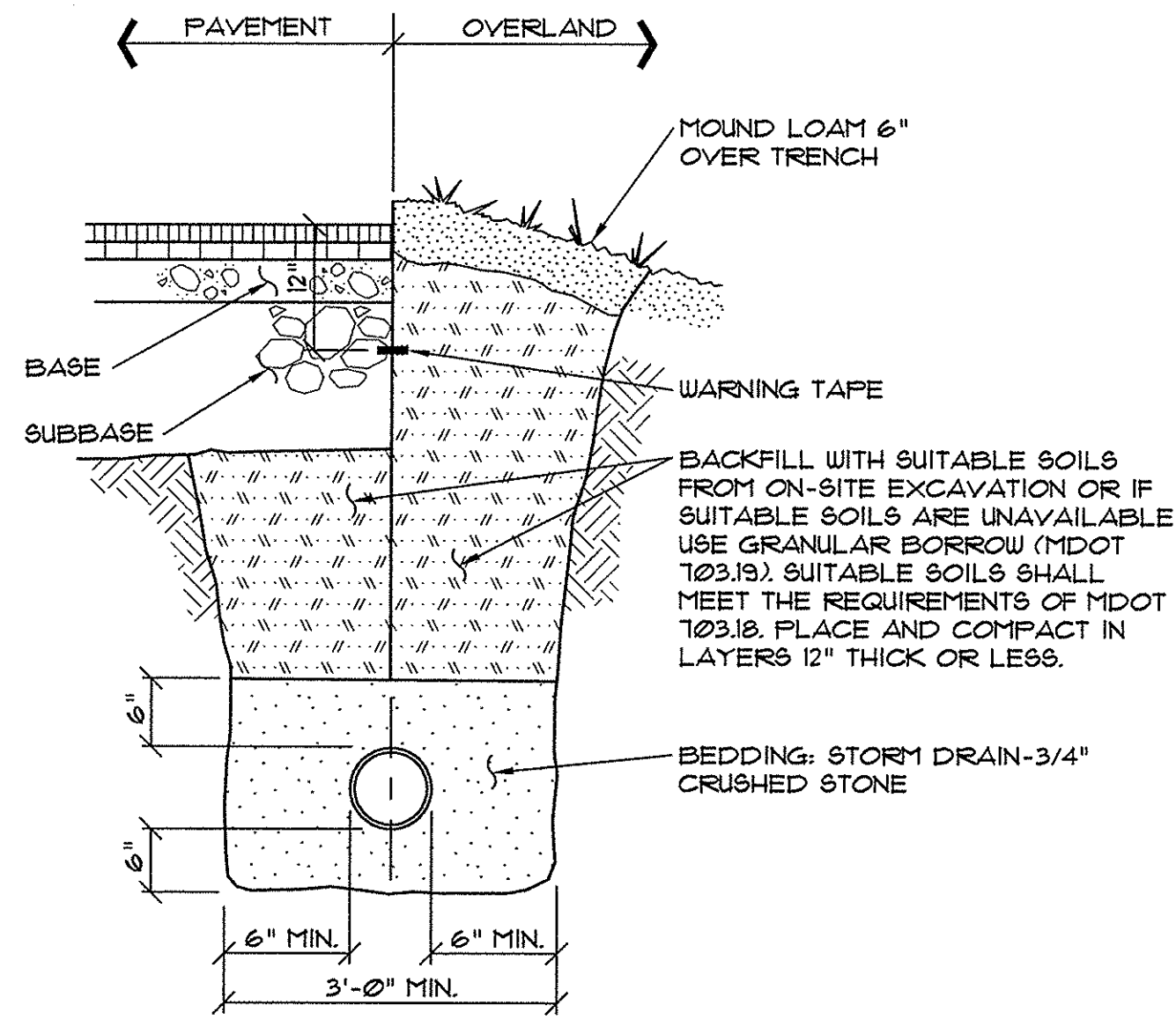
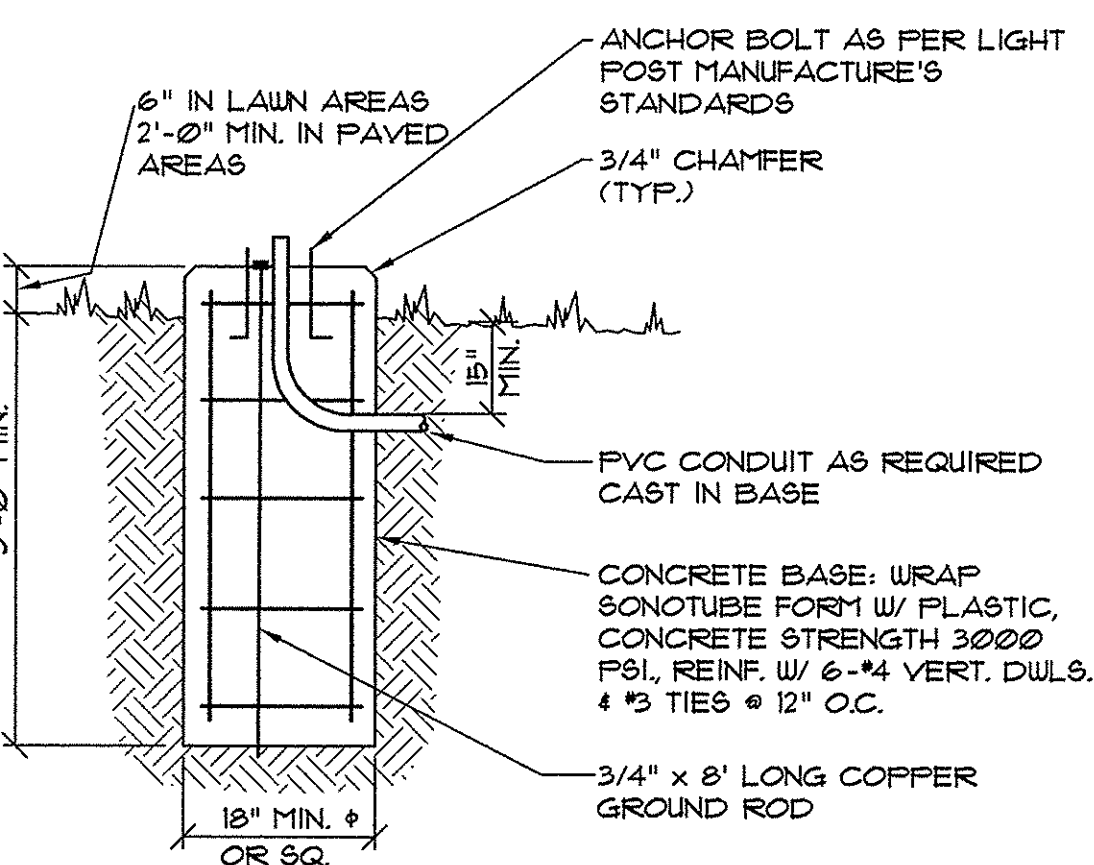


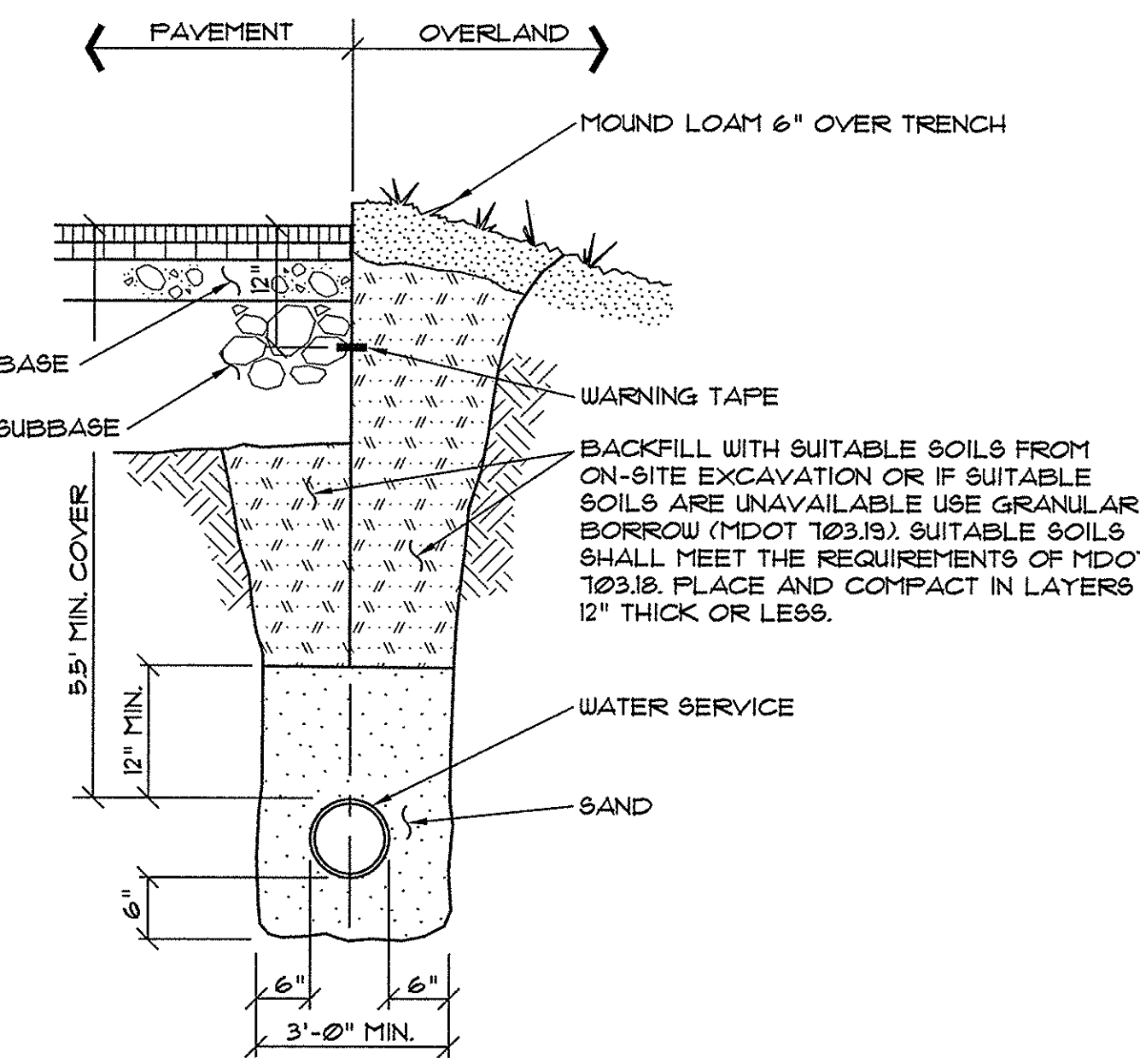
10 STEEL BOLLARD DETAIL
NOT TO SCALE



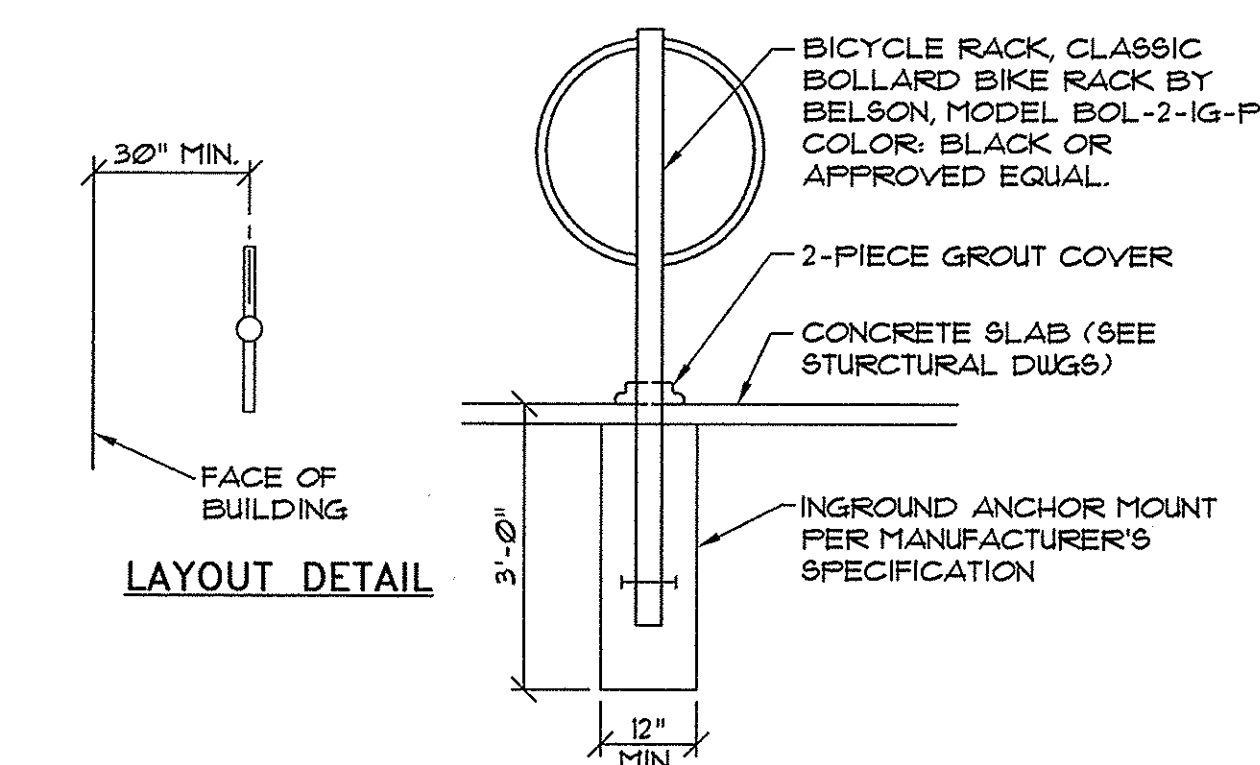
7 TYPICAL TRENCH SECTION
NOT TO SCALE



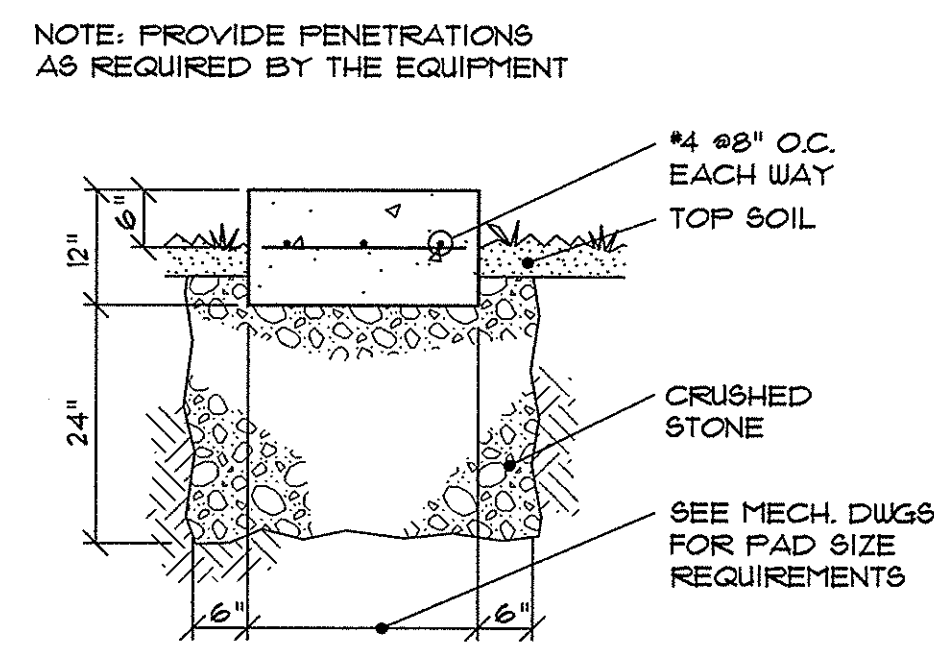
11 LIGHT POLE BASE DETAIL
NOT TO SCALE



8 TYPICAL WATER MAIN SECTION
NOT TO SCALE



12 BIKE RACK DETAIL
NOT TO SCALE

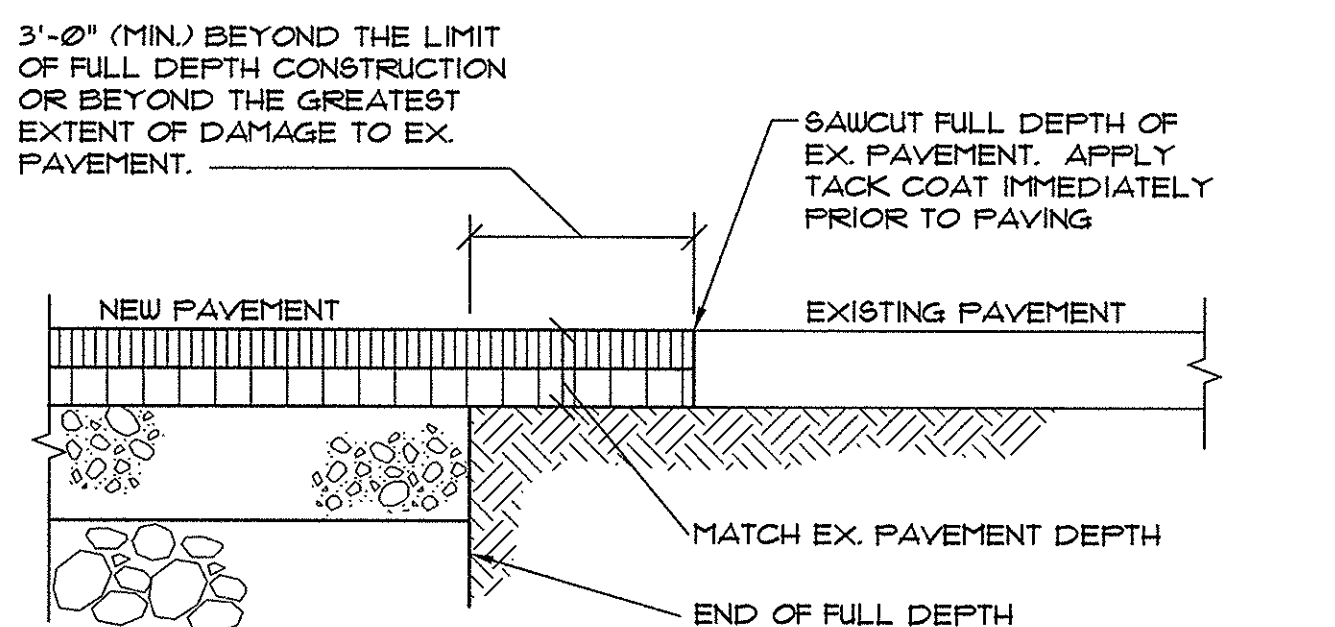


9 EQUIPMENT PAD DETAIL
NOT TO SCALE

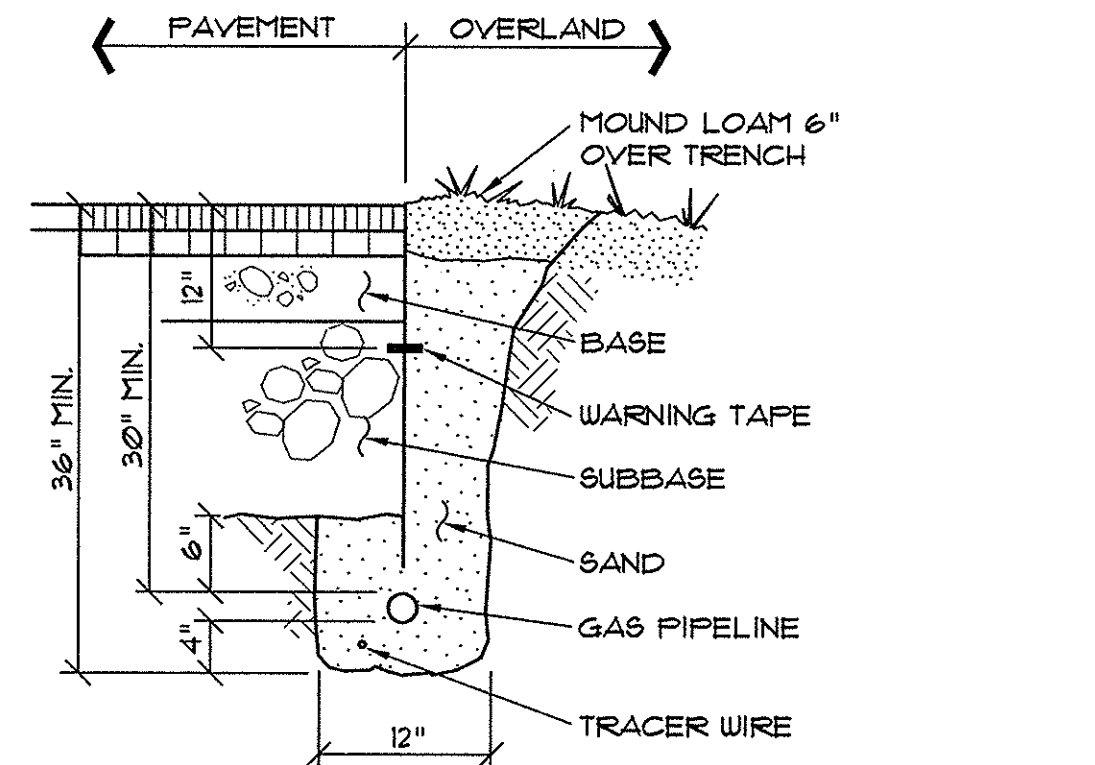
CONSTRUCTION	USE
<ul style="list-style-type: none"> 1 1/4" HMA MDOT 9.5mm 2 1/4" HMA MDOT 19.0mm EX. BASE, SHAPED AS REQUIRED TO DRAIN TO EX. CATCHBASINS EX. SUBBASE 	BITUMINOUS RECONSTRUCTION
<ul style="list-style-type: none"> 1 1/4" HMA MDOT 9.5mm 2 1/4" HMA MDOT 19.0mm 4" COMPACTED AGGREGATE BASE, MDOT 103.06(a) TYPE A 12" COMPACTED AGGREGATE SUBBASE, MDOT 103.06(b) TYPE D COMPACTED SUBGRADE 	BITUMINOUS FULL DEPTH CONSTRUCTION
<ul style="list-style-type: none"> 2 - 1" LAYERS OF HMA MDOT 9.5mm 12" COMPACTED AGGREGATE BASE, MDOT 103.06(a) TYPE A EX. SUBBASE 	BITUMINOUS SIDEWALKS
<ul style="list-style-type: none"> 1 1/4" HMA MDOT 9.5mm, THICKEN TO MATCH PAVEMENTS CONCRETE PAVERS 3 1/8" SAND FILLED JOINTS, 1/16" MIN. 3/16" MAX. 3/4" COMPACT BIT. SETTING BED 2 1/4" HMA MDOT 19.0mm EX. BASE, SHAPED AS REQUIRED TO INSTALL CONCRETE PAVERS EX. SUBBASE 	CONCRETE PAVERS WALKWAYS
<ul style="list-style-type: none"> 4" TOPSOIL, NO STONES OVER 3/4" DIA. GRANULAR MATERIAL IN FILL AREAS COMPACTED SUBGRADE 	GRASS DISTURBED AREAS
<ul style="list-style-type: none"> 3" SHREDDED DARK BARKMULCH PREPARED SUBGRADE 	PLANT BED BARKMULCH

NOTES:
 1. HMA = HOT MIX ASPHALT.
 MDOT = MAINE DEPARTMENT OF TRANSPORTATION.
 2. ALL COURSE THICKNESS AFTER FINAL COMPACTION.

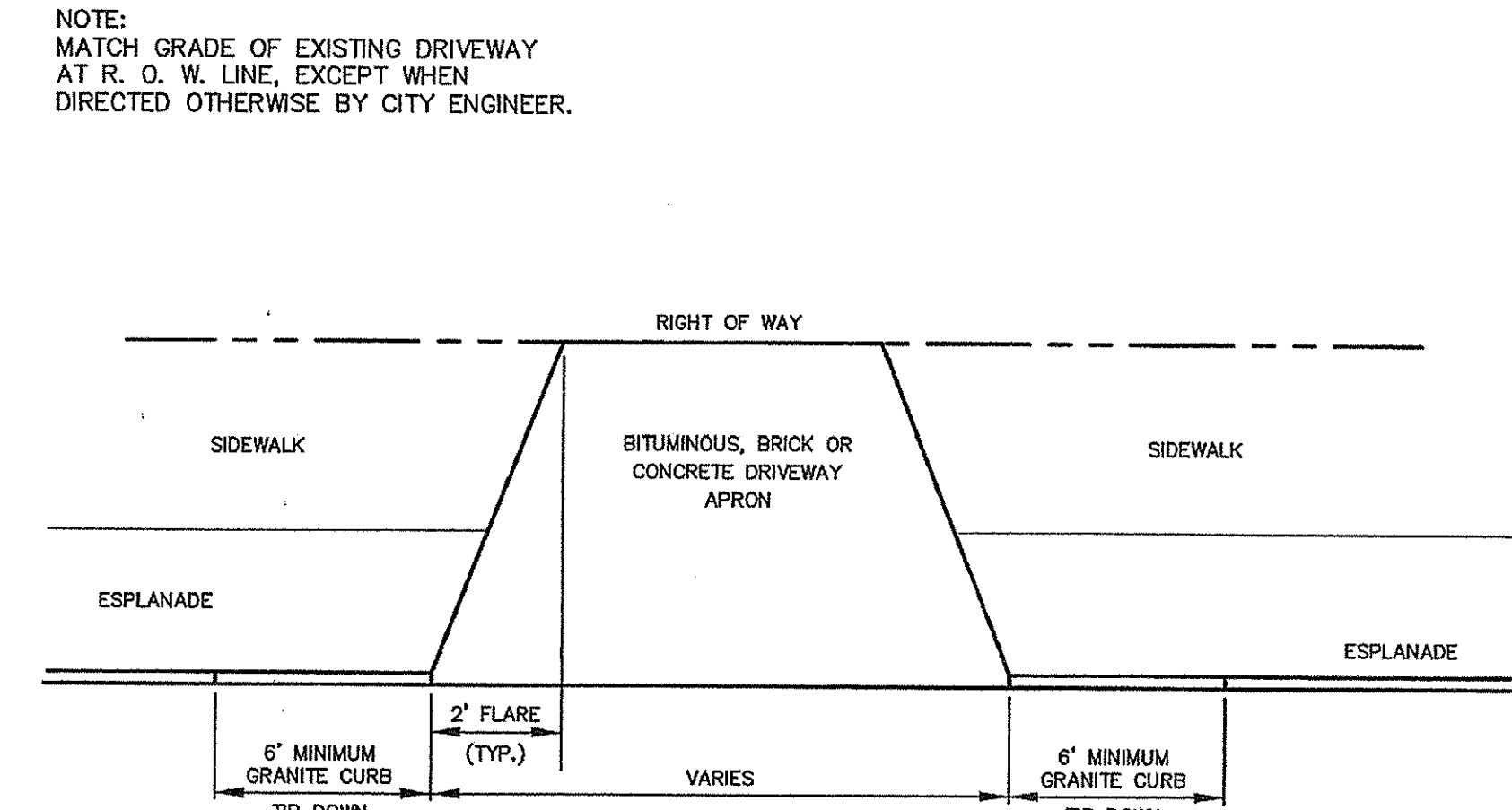
4 SCHEDULE OF SURFACE FINISHES
NOT TO SCALE



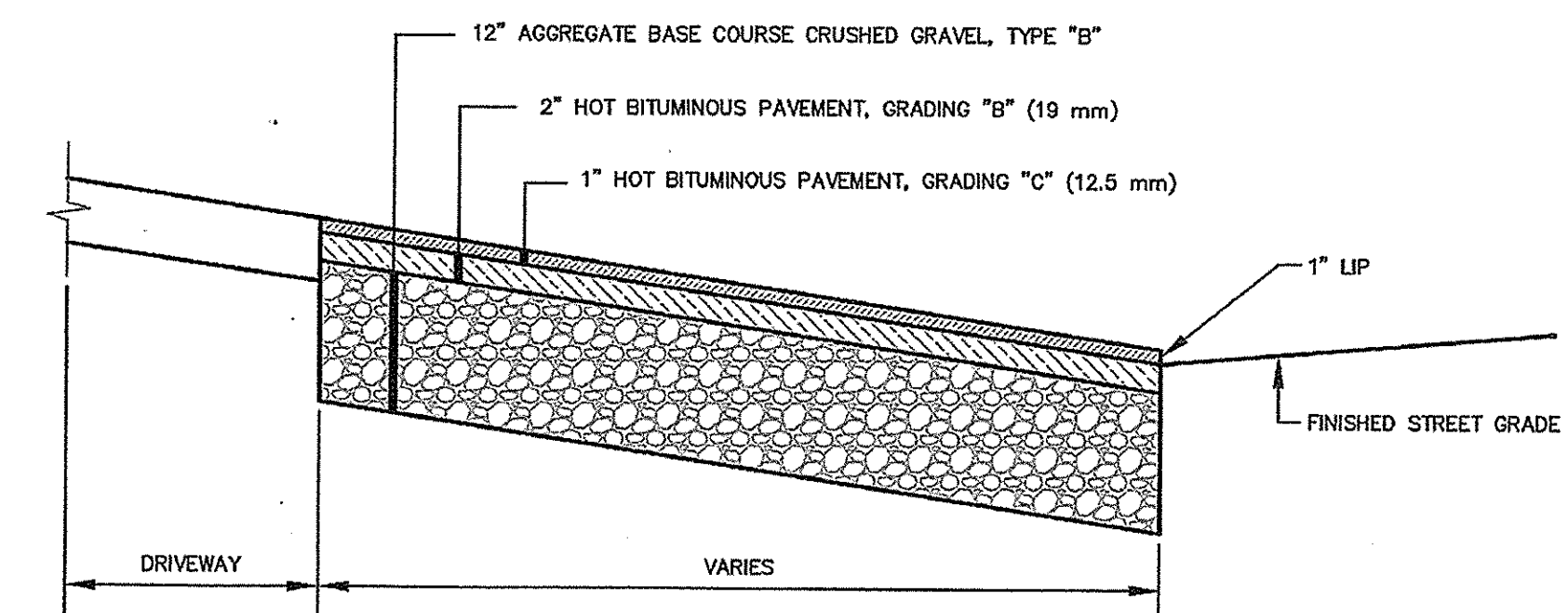
5 PAVEMENT CUTTING & MATCHING SECTION
NOT TO SCALE



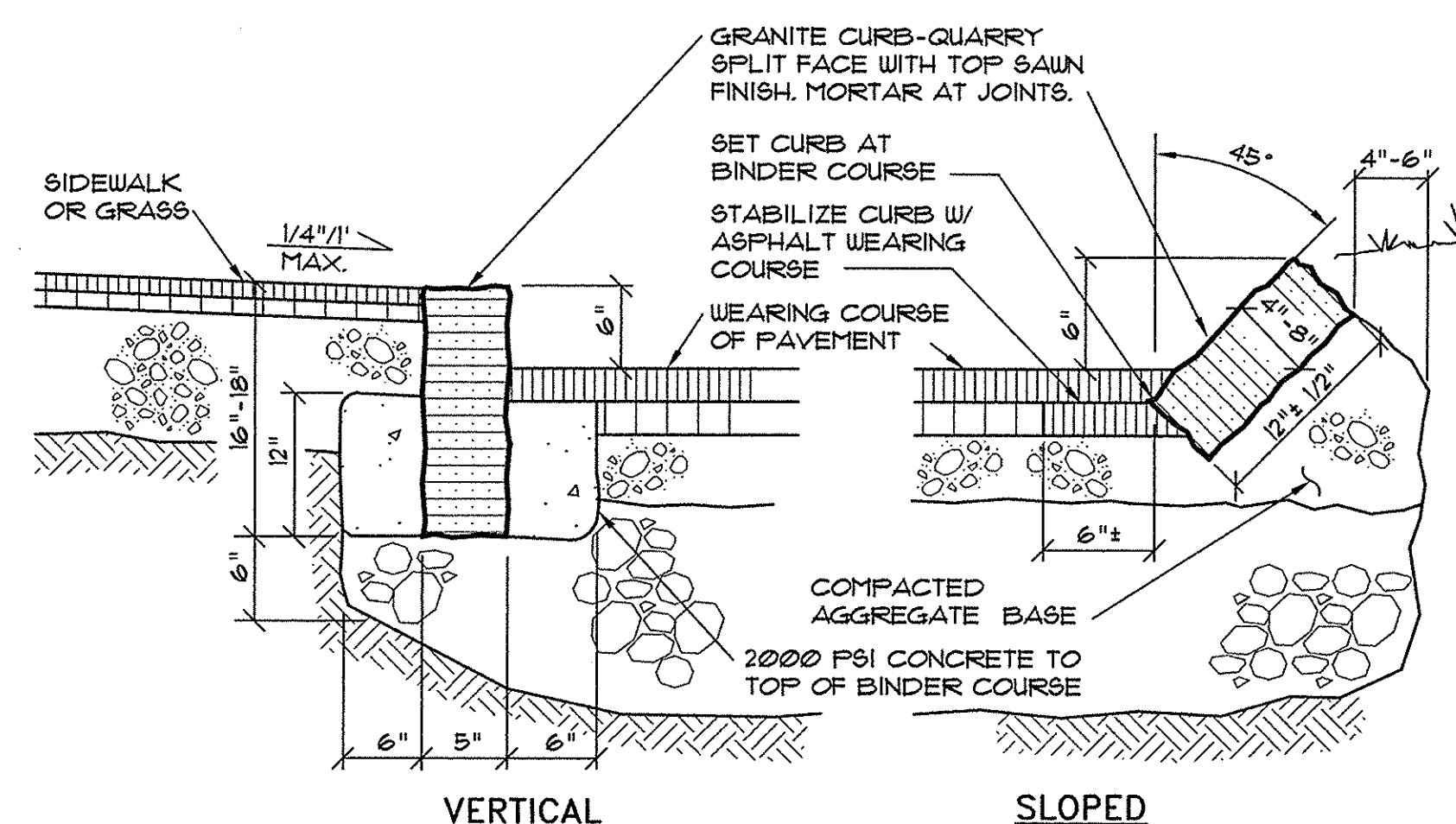
6 GAS PIPING TRENCH SECTION
NOT TO SCALE



1 DRIVEWAY APRON LAYOUT (1-9)
NOT TO SCALE



2 BITUMINOUS DRIVEWAY APRON (1-13)
NOT TO SCALE



3 GRANITE CURB SECTIONS
NOT TO SCALE

3 GRANITE CURB SECTIONS
NOT TO SCALE

PINKHAM & GREER
 CIVIL ENGINEERS
 28 HANNA AVE. PORTLAND, ME. 04103
 TEL: 207.761.6242 FAX: 207.761.6245

THOMAS GREEN
 No. 4236
 PROFESSIONAL ENGINEER
 LICENSE NO. 10001
 6/30/16

CHABOT STREET, LLC (RECORD OWNER)
 100 SILVER STREET
 PORTLAND, ME 04101

SCALE: AS SHOWN
 DATE: AUGUST 30, 2016
 PROJECT: 151750

DRN BY: RJS
 DESG BY: TSG
 CHK BY: TSG

INFINITY CREDIT UNION (APPLICANT)
 202 LARRABEE ROAD
 WESTBROOK, ME 04092

BAXTER BOULEVARD

DETAILS
 C2.1
 MAPLOT 112/F11/1