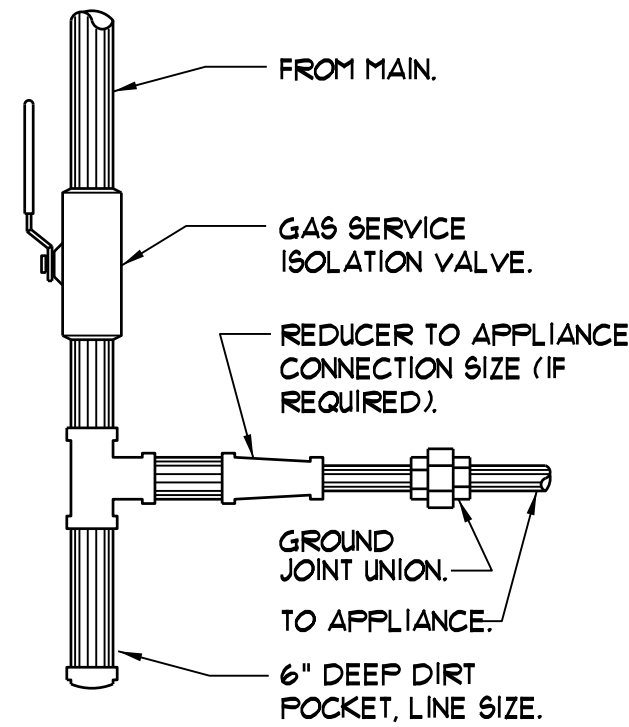


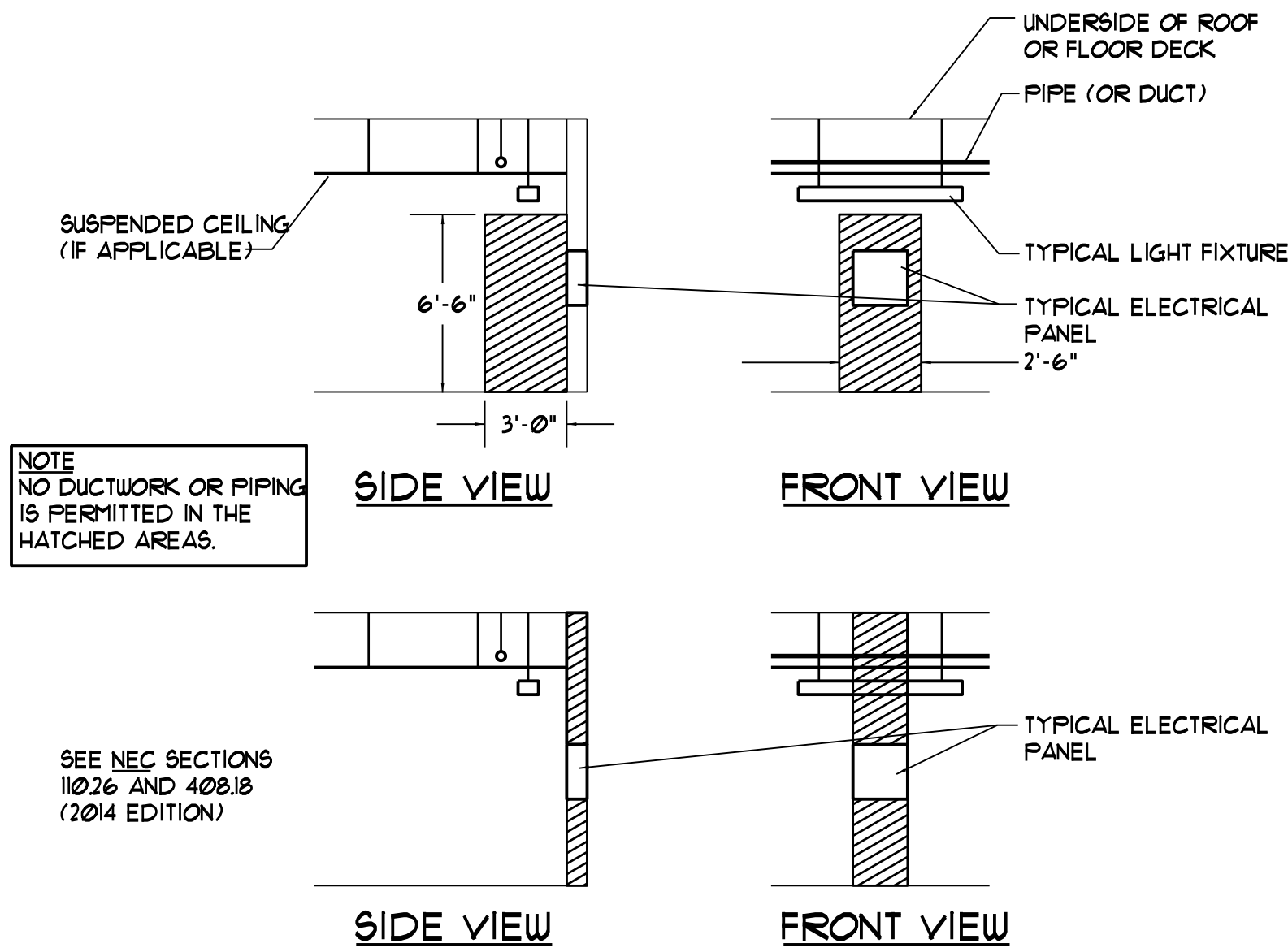
UPFEED GAS PIPING CONNECTION DETAIL

NTS
NOTE APPLIANCES WITH REGULATORS LOCATE PIPING SHOWN HEREIN UPSTREAM OF THE APPLIANCE REGULATOR. PROVIDE A TEST PLUG DOWNSTREAM OF THE APPLIANCE REGULATOR.



DOWNFEEED GAS PIPING CONNECTION DETAIL

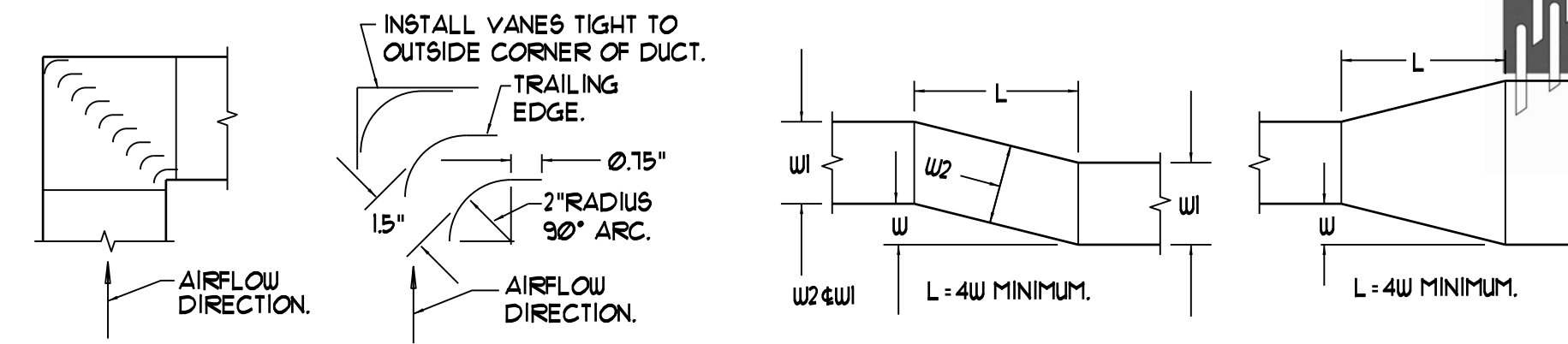
NTS
NOTE APPLIANCES WITH REGULATORS LOCATE PIPING SHOWN HEREIN UPSTREAM OF THE APPLIANCE REGULATOR. PROVIDE A TEST PLUG DOWNSTREAM OF THE APPLIANCE REGULATOR.



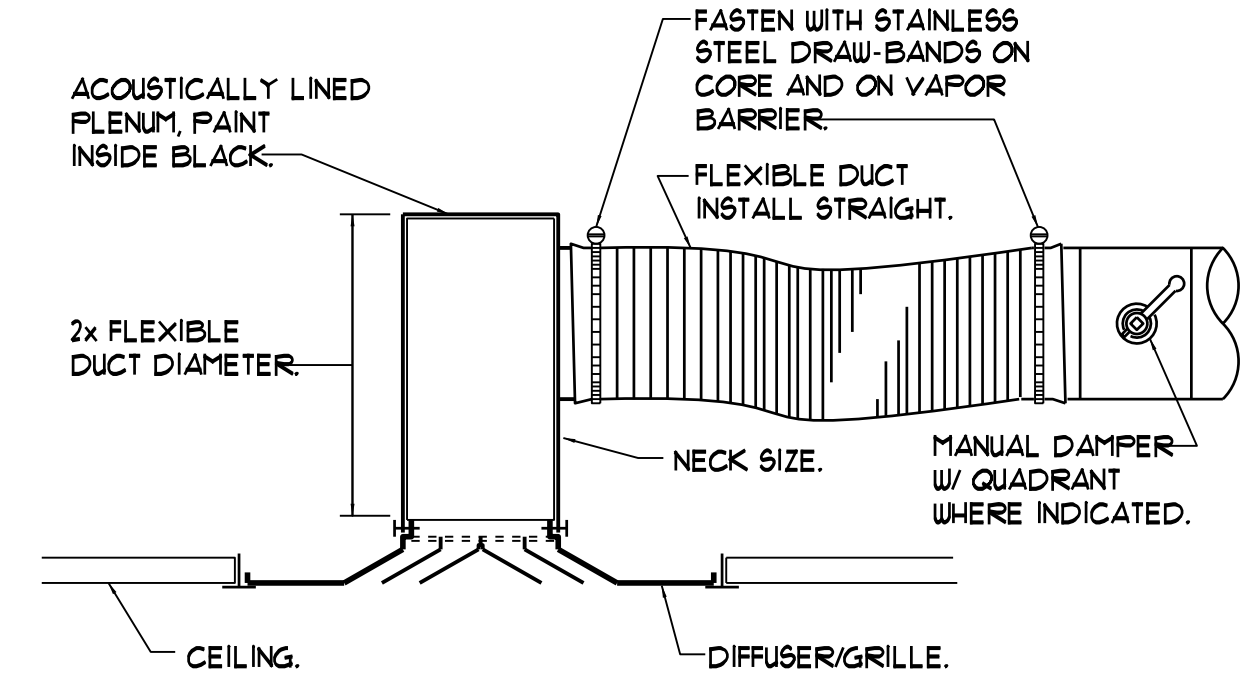
CLEARANCES AT ELECTRICAL PANELS

NOTE NO DUCTWORK OR PIPING IS PERMITTED IN THE HATCHED AREAS.

SEE NEC SECTIONS 110.26 AND 408.18 (2014 EDITION)

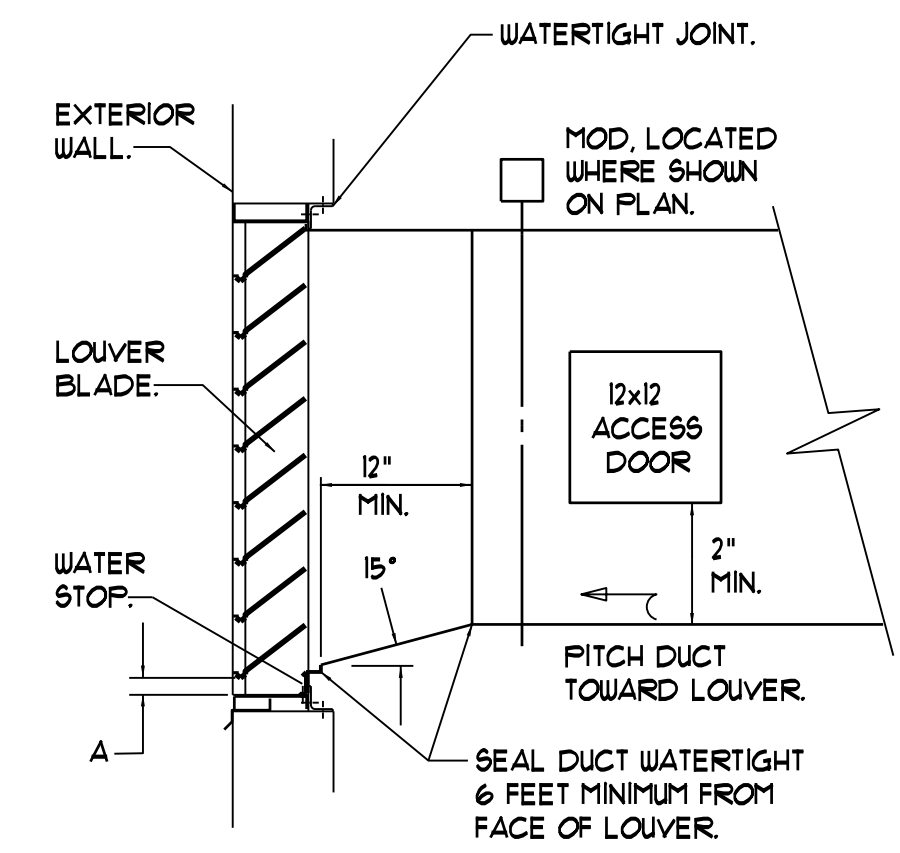


LOW PRESSURE DUCT CONSTRUCTION DETAILS - TYPICAL



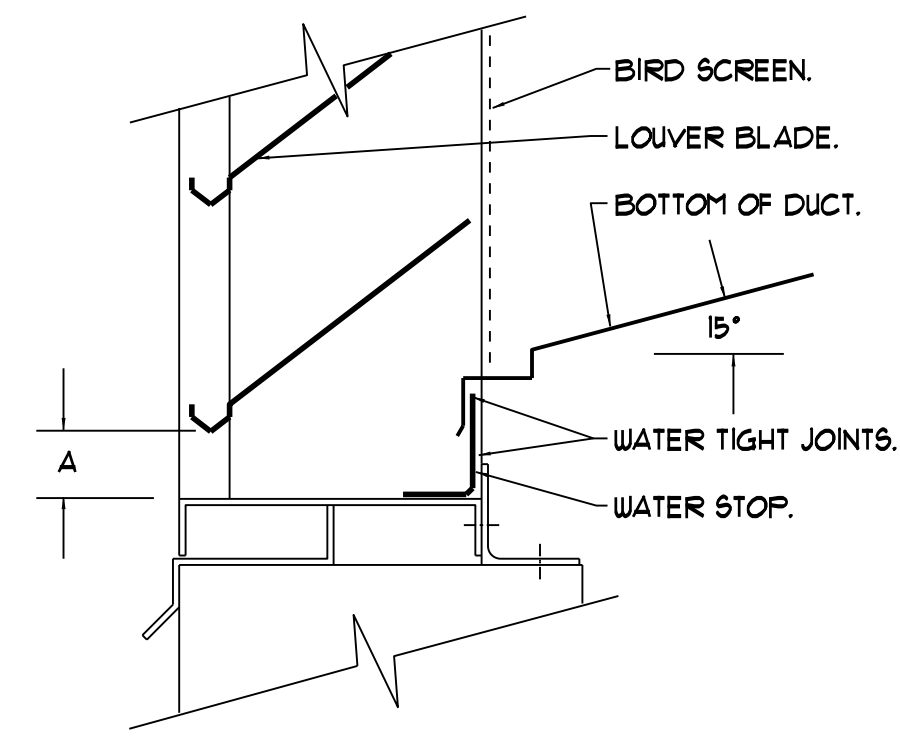
DIFFUSER/RETURN CONNECTION DETAIL

NTS
NOTE DETAIL TYPICAL FOR CEILING GRILLES, REGISTERS AND LINEAR DIFFUSERS. FOR SURFACE-MOUNT DEVICES, SUPPORT PLENUM FROM CEILING GRID WITH STEEL ANGLES FASTENED TO PLENUM.



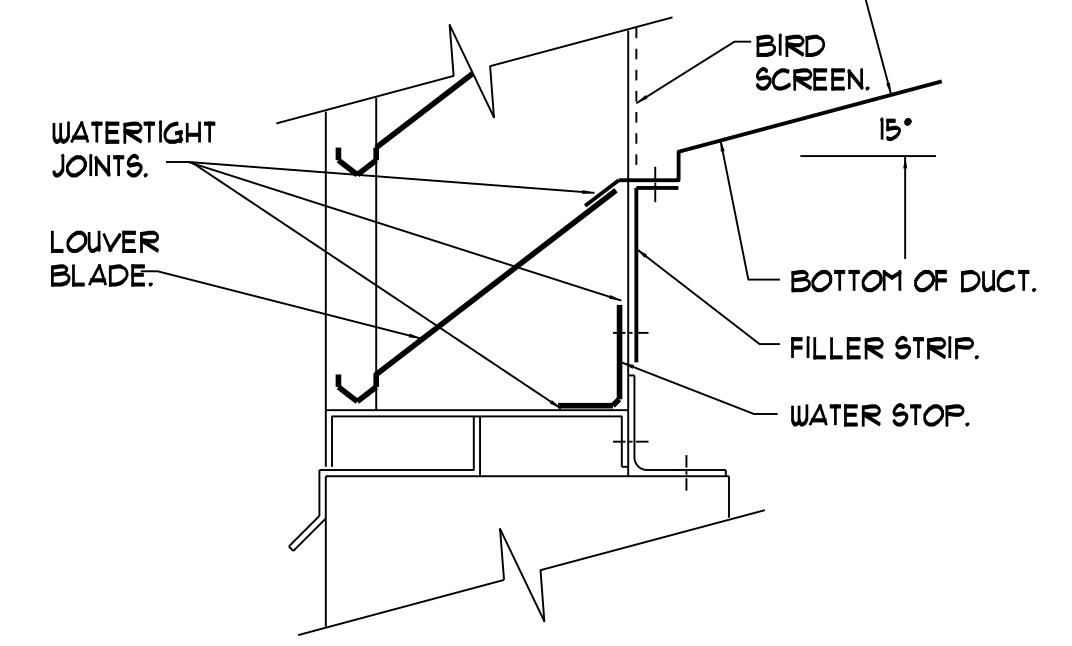
LOUVER DETAIL WITH HORIZONTAL DUCT

NOTE IF DIMENSION "A" IS LESS THAN 1 INCH SEE MODIFIED LOUVER DETAIL THIS SHEET.



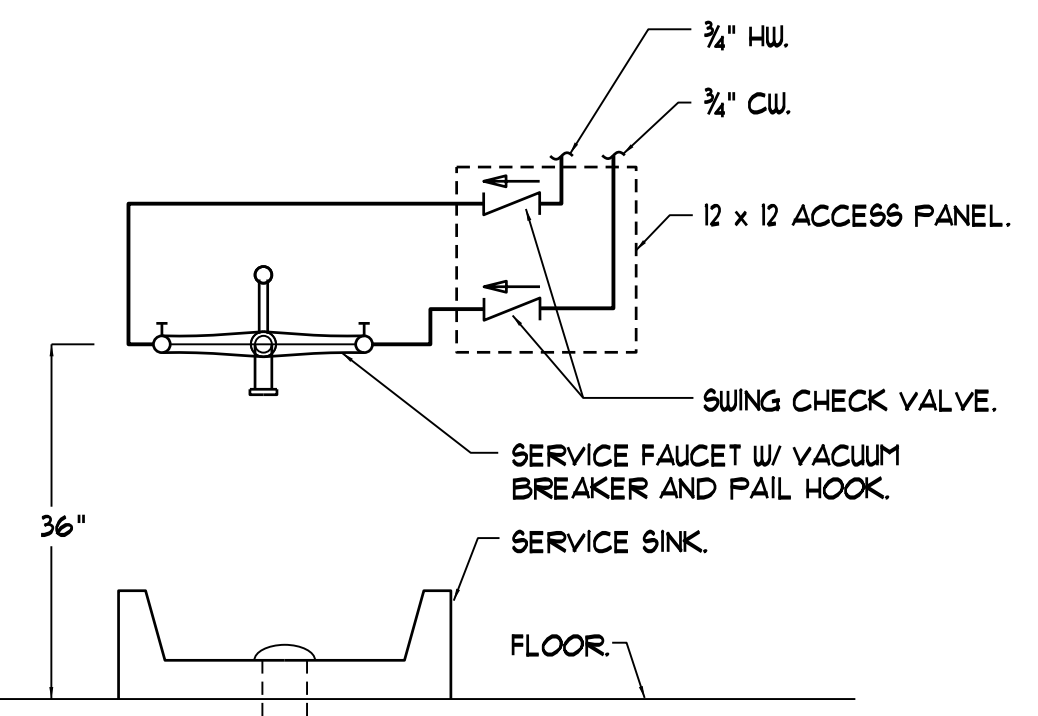
LOUVER CONNECTION DETAIL

NTS
NOTE TYPICAL FOR LOUVERS AND BLOCK VENTS. IF DIMENSION "A" IS LESS THAN 1 INCH SEE MODIFIED LOUVER DETAIL AT RIGHT (LOUVERS ONLY).



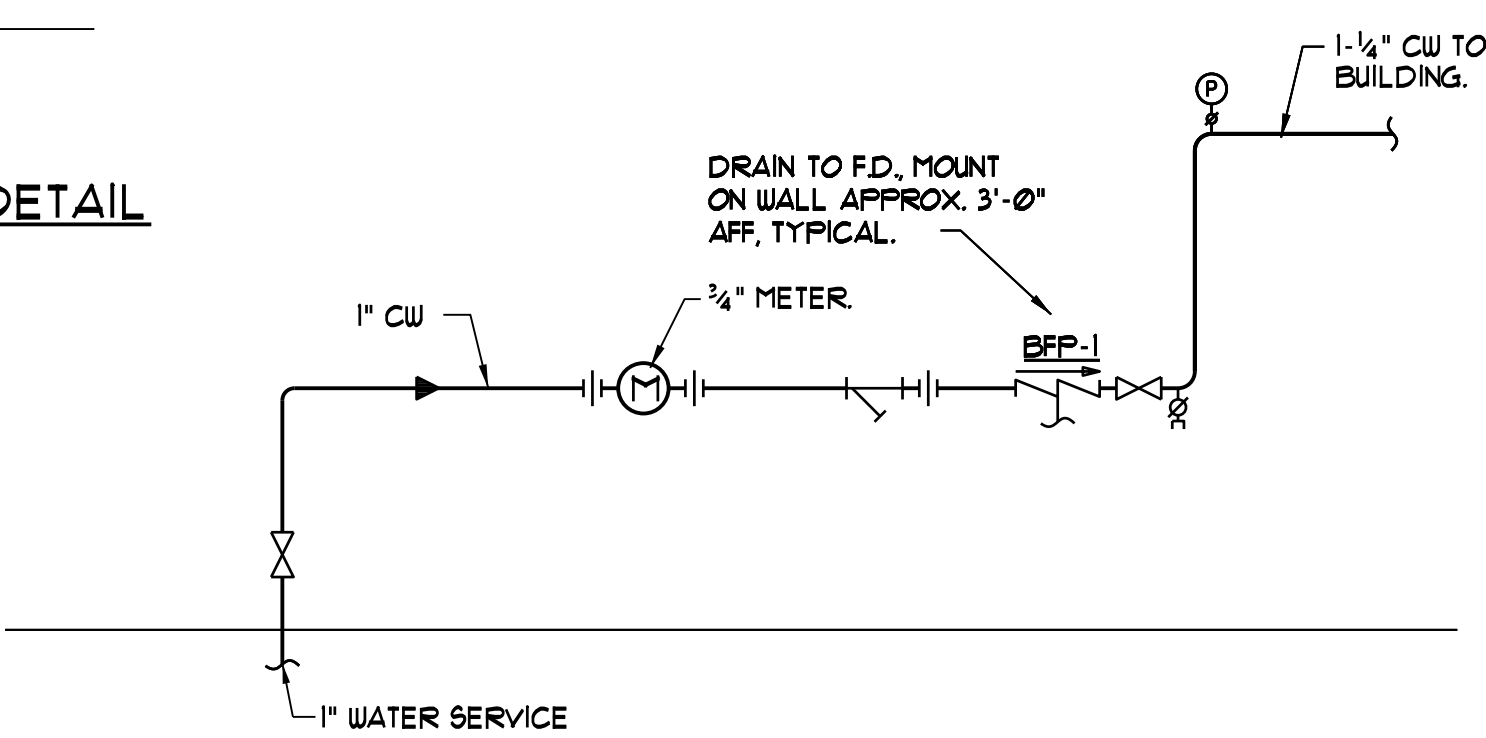
MODIFIED LOUVER DETAIL

NTS



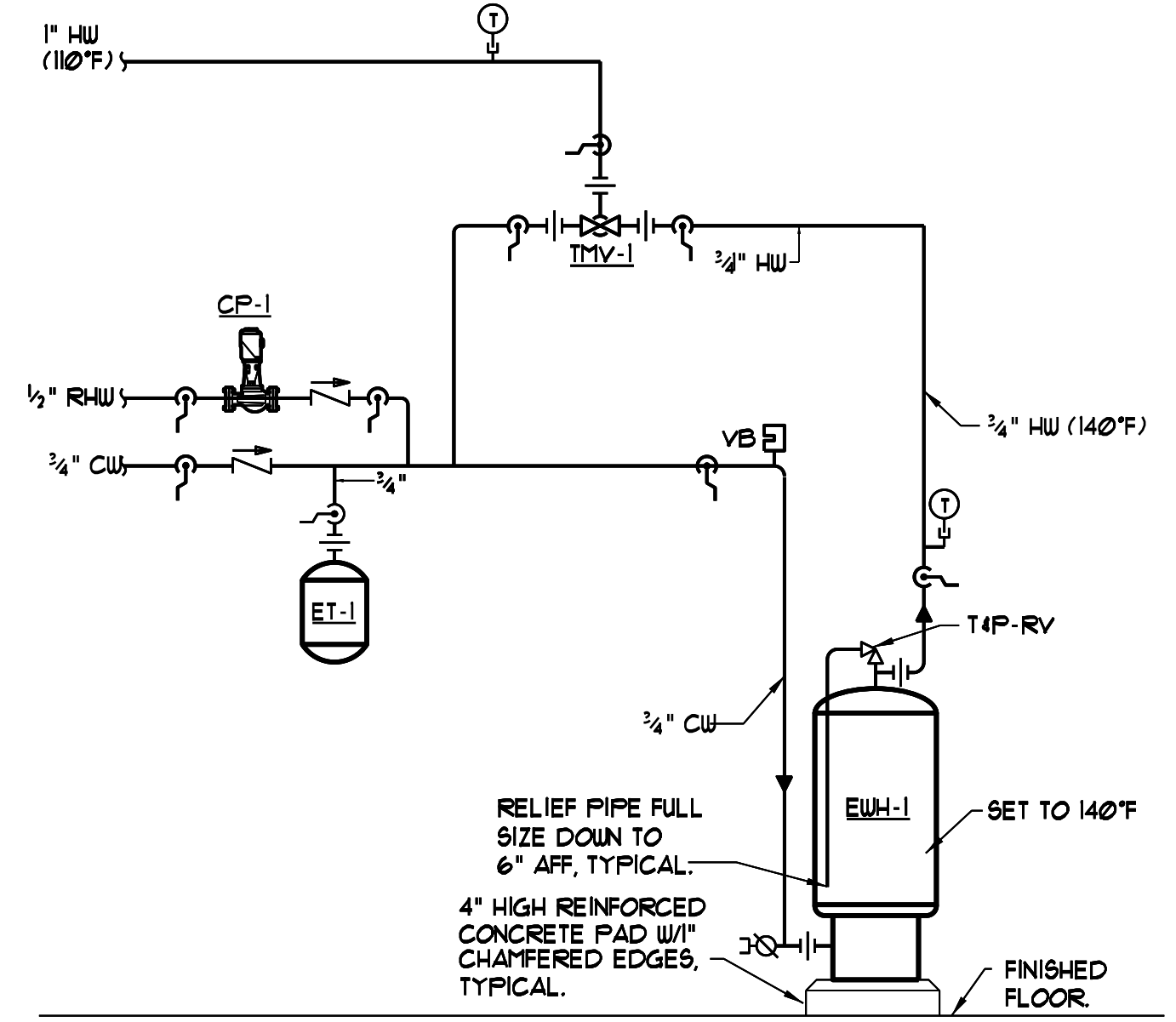
MOP BASIN INSTALLATION DETAIL

NTS



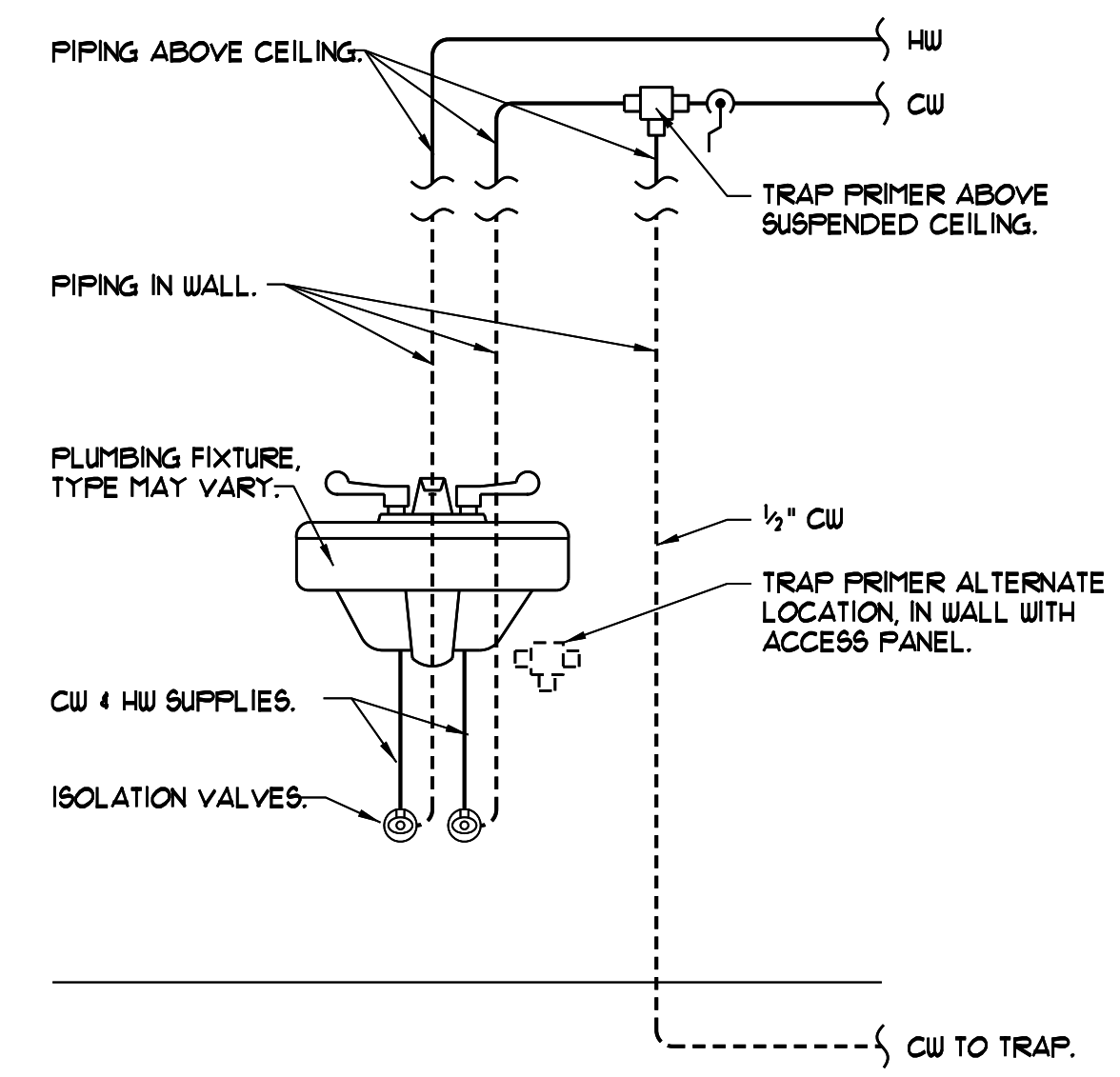
WATER ENTRANCE DETAIL

NTS



DOMESTIC HOT WATER PIPING SCHEMATIC

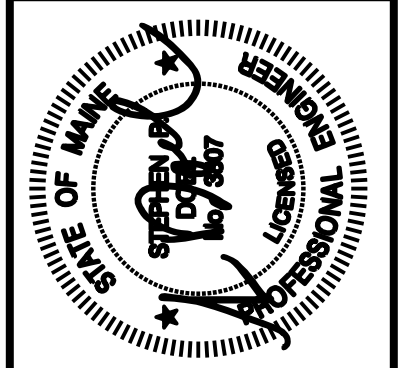
NTS



TRAP PRIMER CONNECTION DETAIL

NTS

NOTE - ALL FLOOR DRAINS SHALL HAVE TRAP PRIMERS. CONNECT TO NEAREST FIXTURE.



400 US Route One, Suite A South
Falmouth, ME 04105
Tel: (207) 842-6260
Fax: (207) 842-6271
1 (800) 232-2253



Rev. No.	Date	Description	Drawn by: JFD

Infinity Credit Union
Portland, ME
29 Baxter Boulevard
MECHANICAL DETAILS

M3.2
sheet number
issued: 10-17-16
project no.