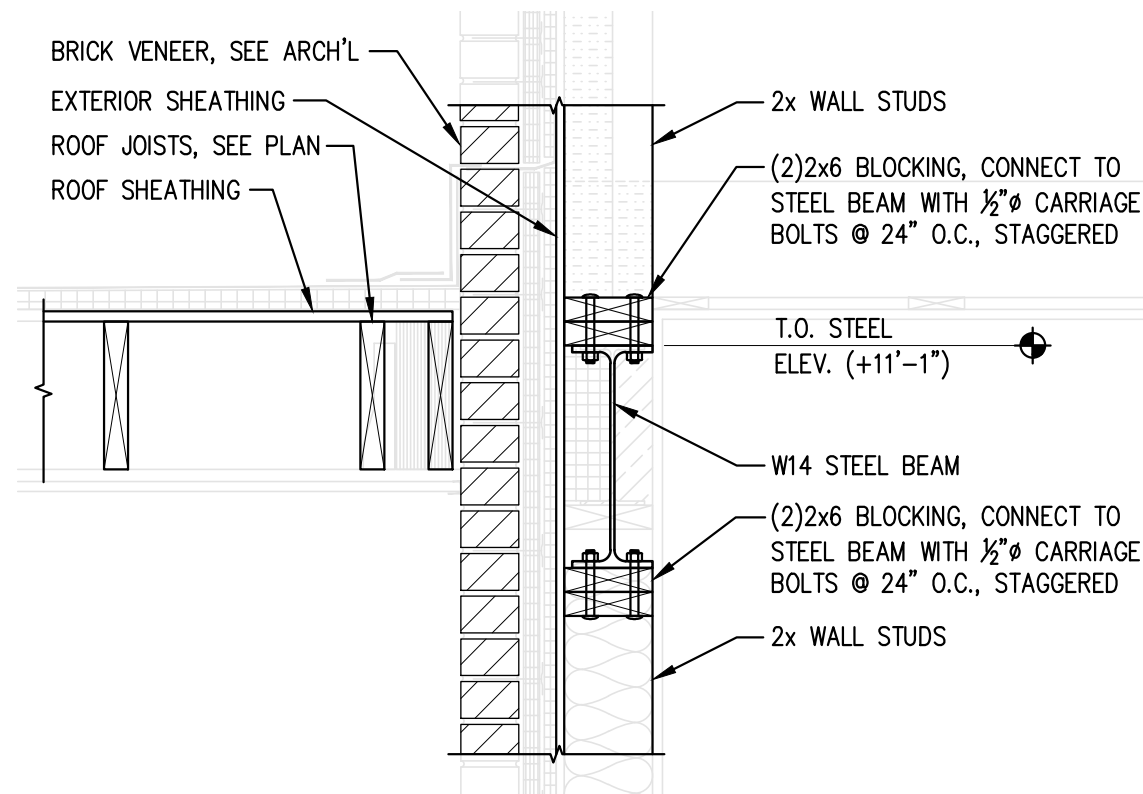
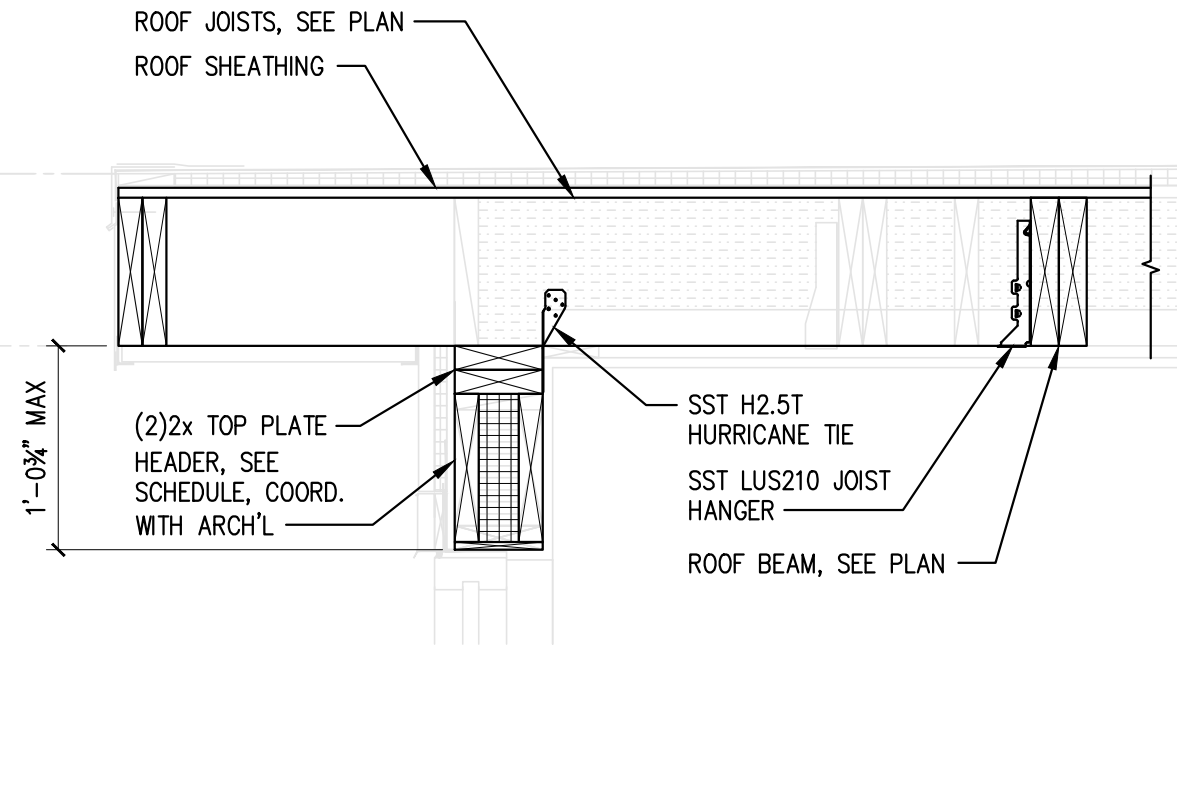


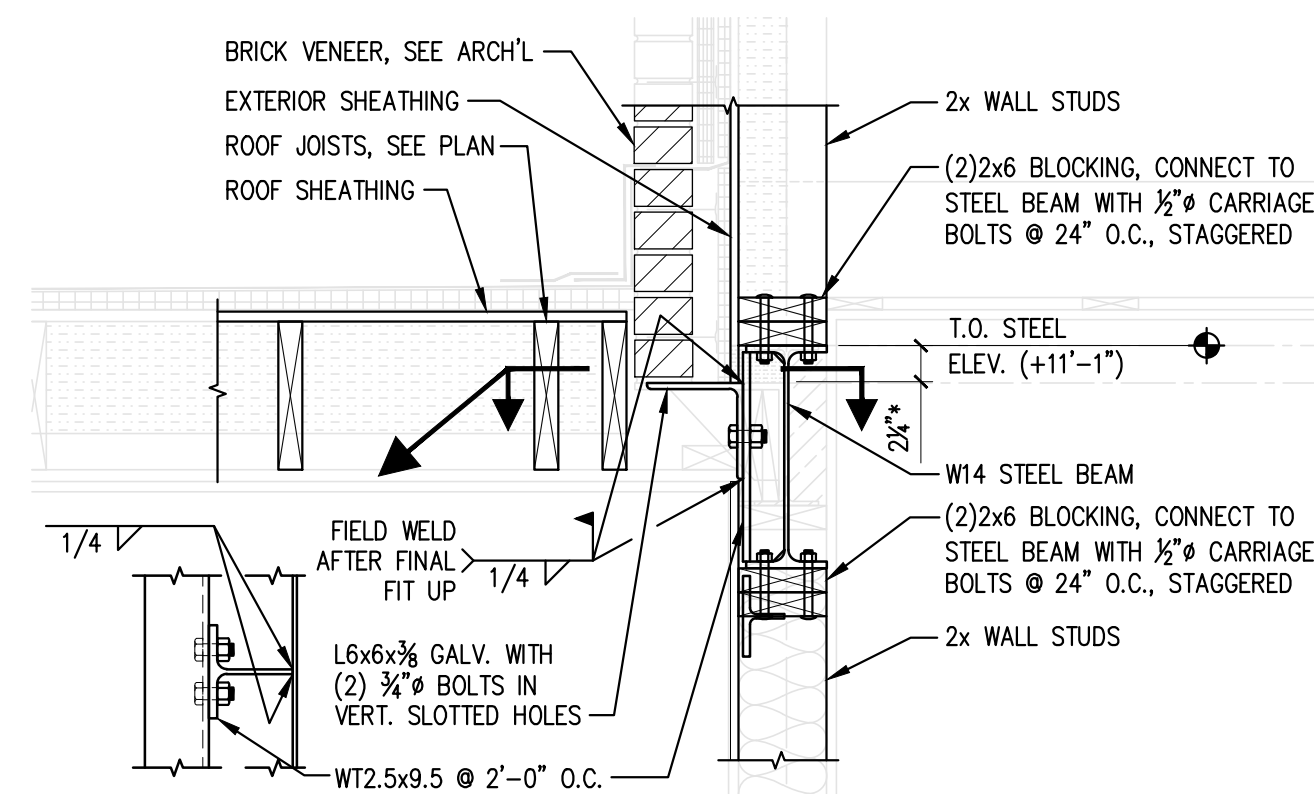
PRINTED: Oct 21, 2016



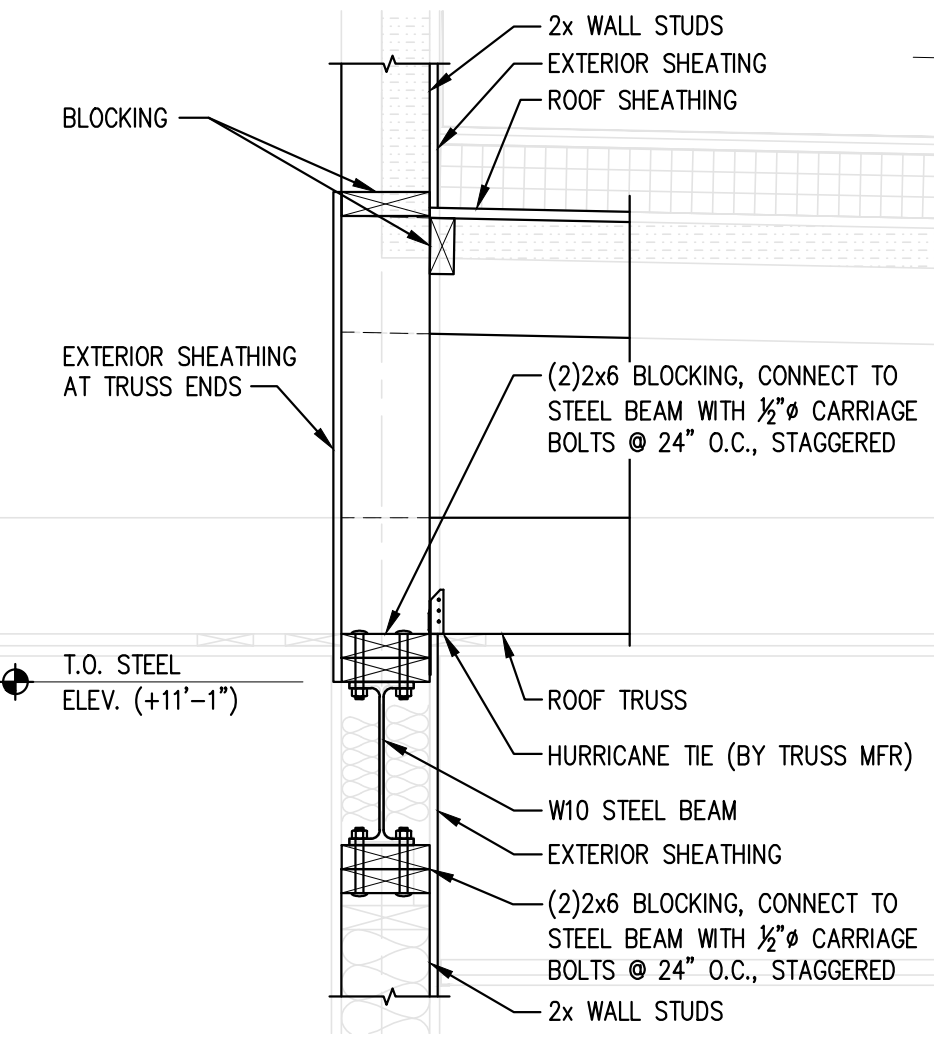
1 SECTION
1" = 1'-0"



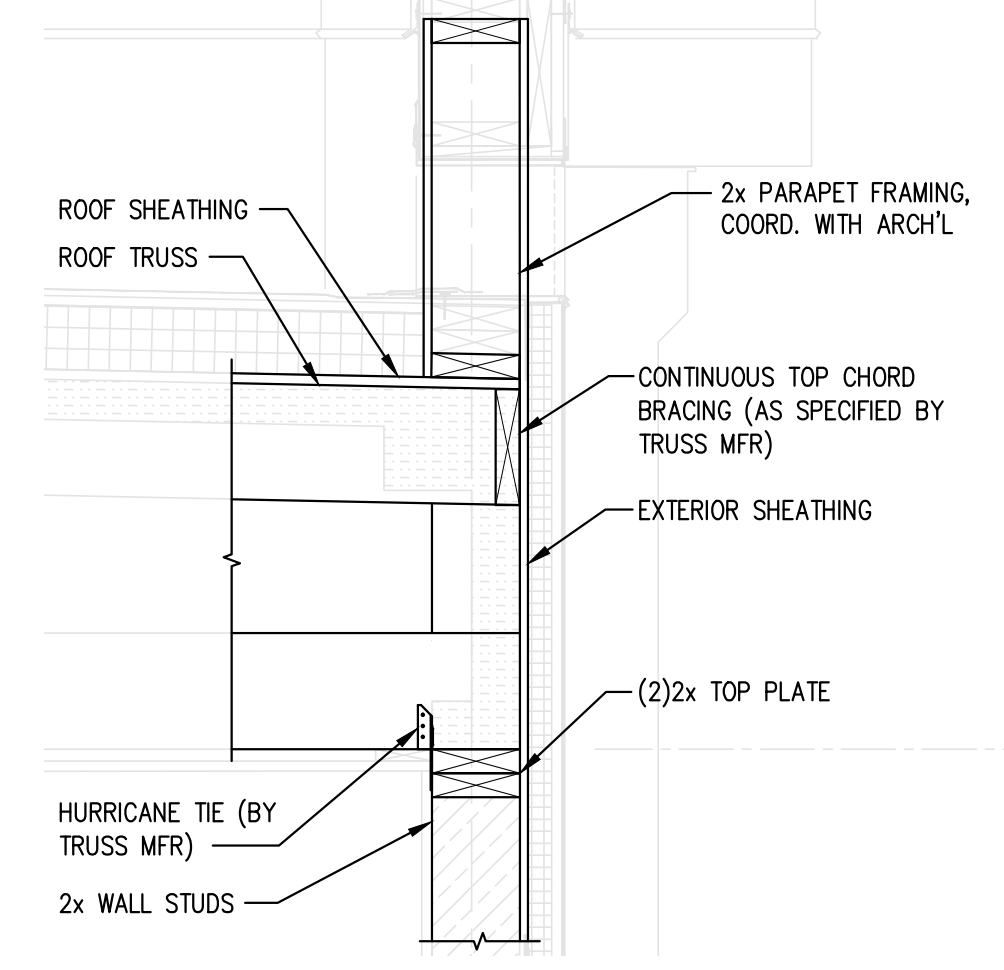
2 SECTION
1" = 1'-0"



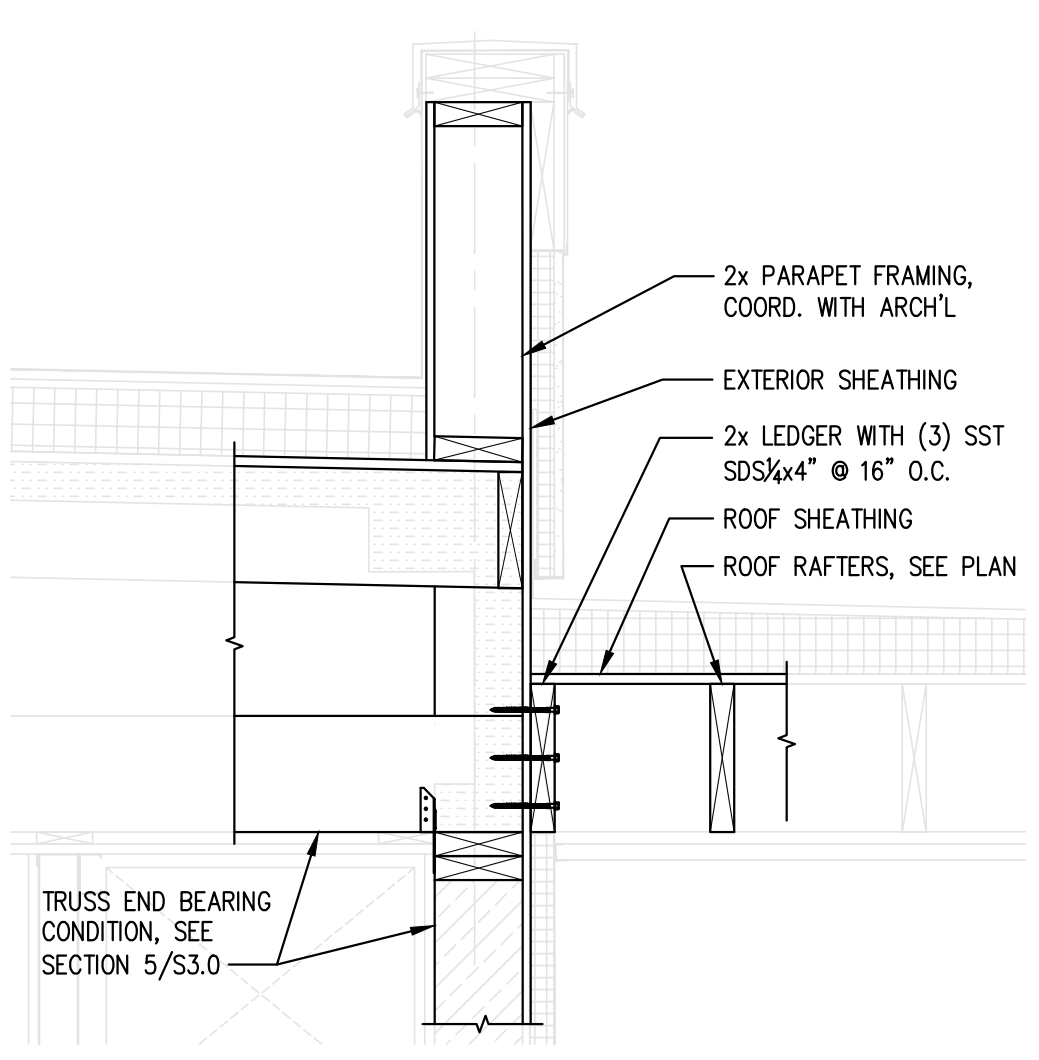
3 SECTION
1" = 1'-0"



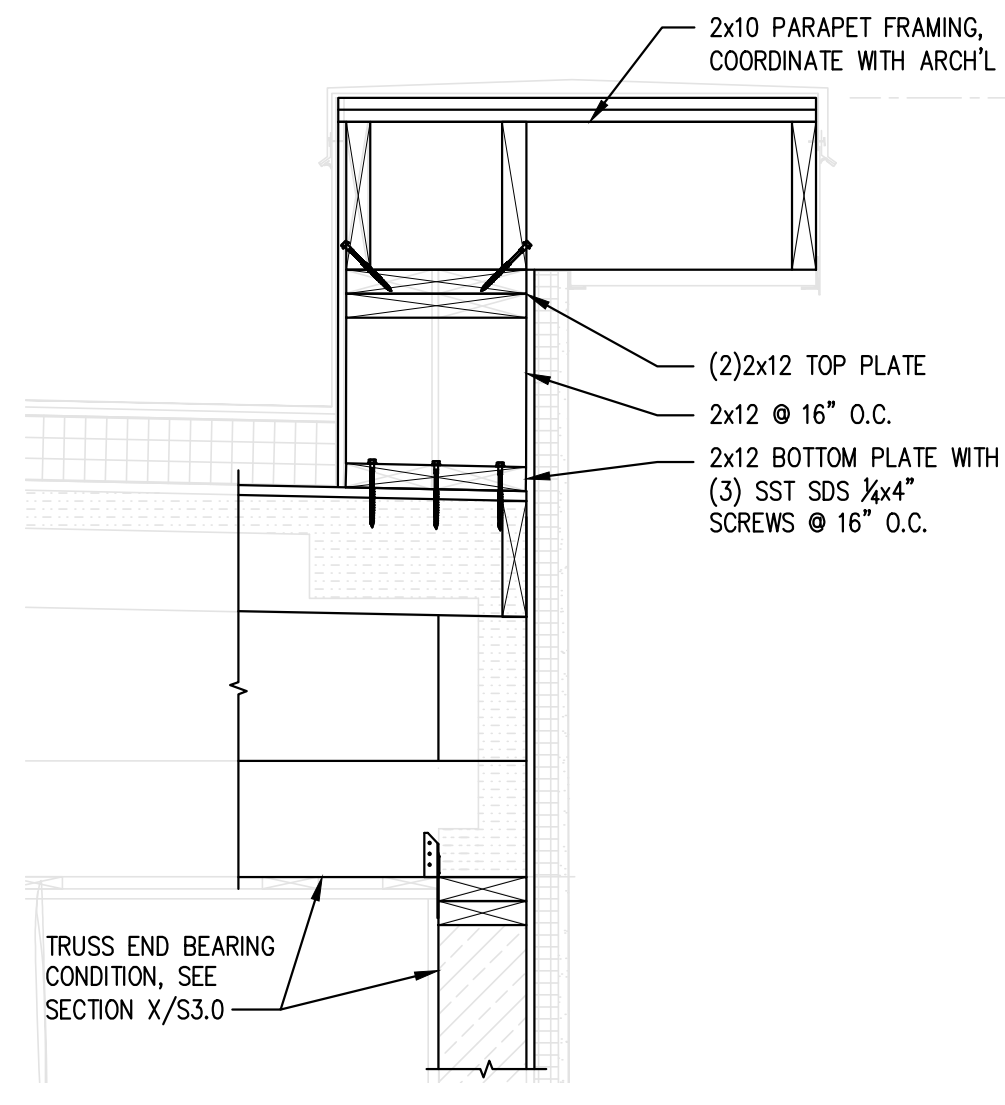
4 SECTION
1" = 1'-0"



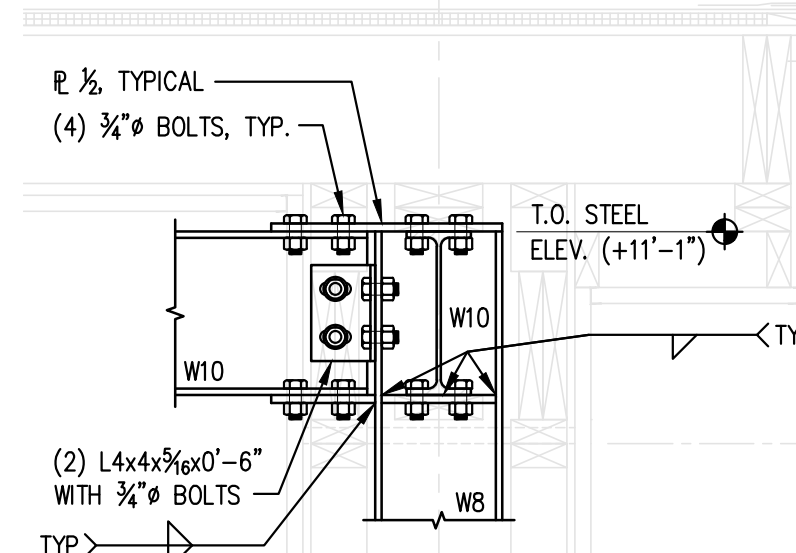
5 SECTION
1" = 1'-0"



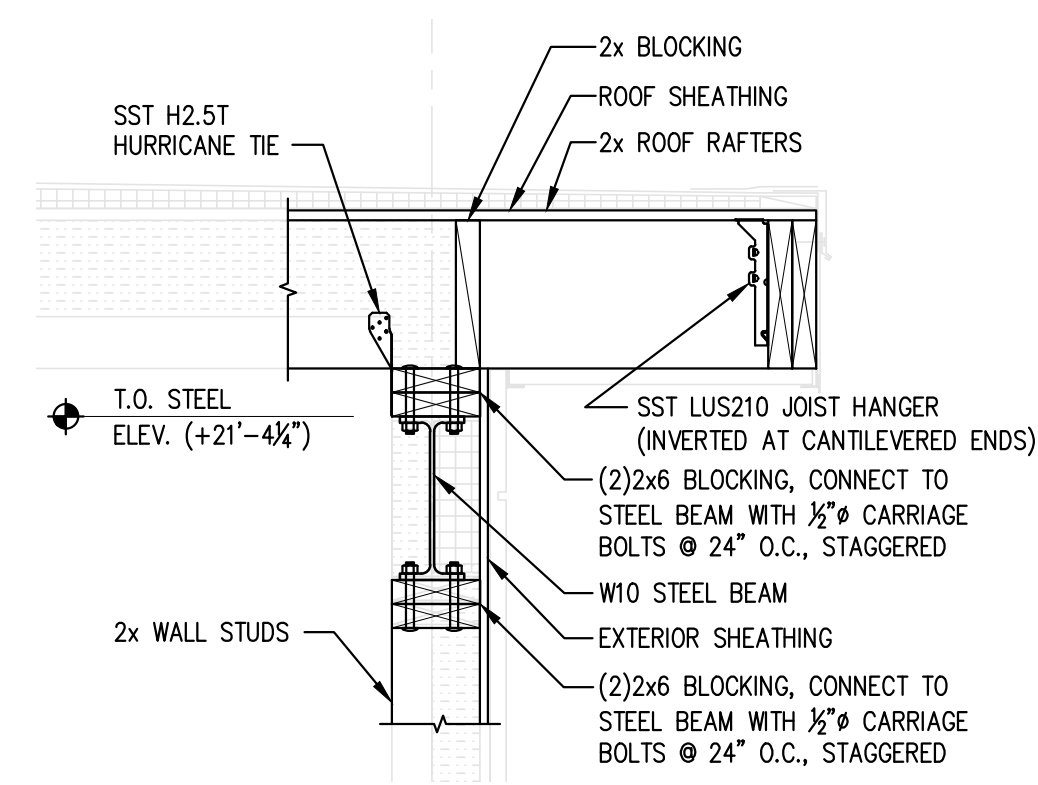
6 SECTION
1" = 1'-0"



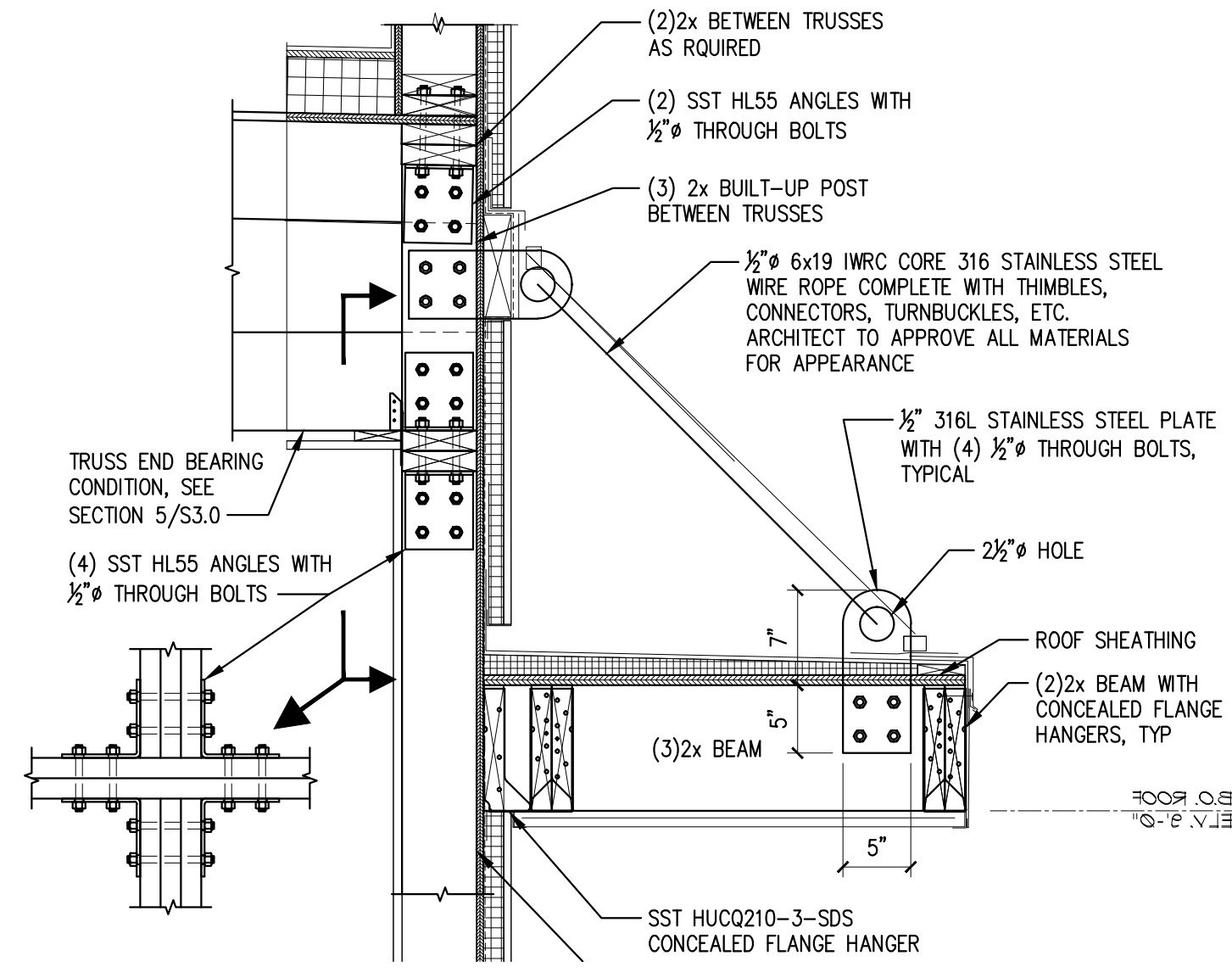
7 SECTION
1" = 1'-0"



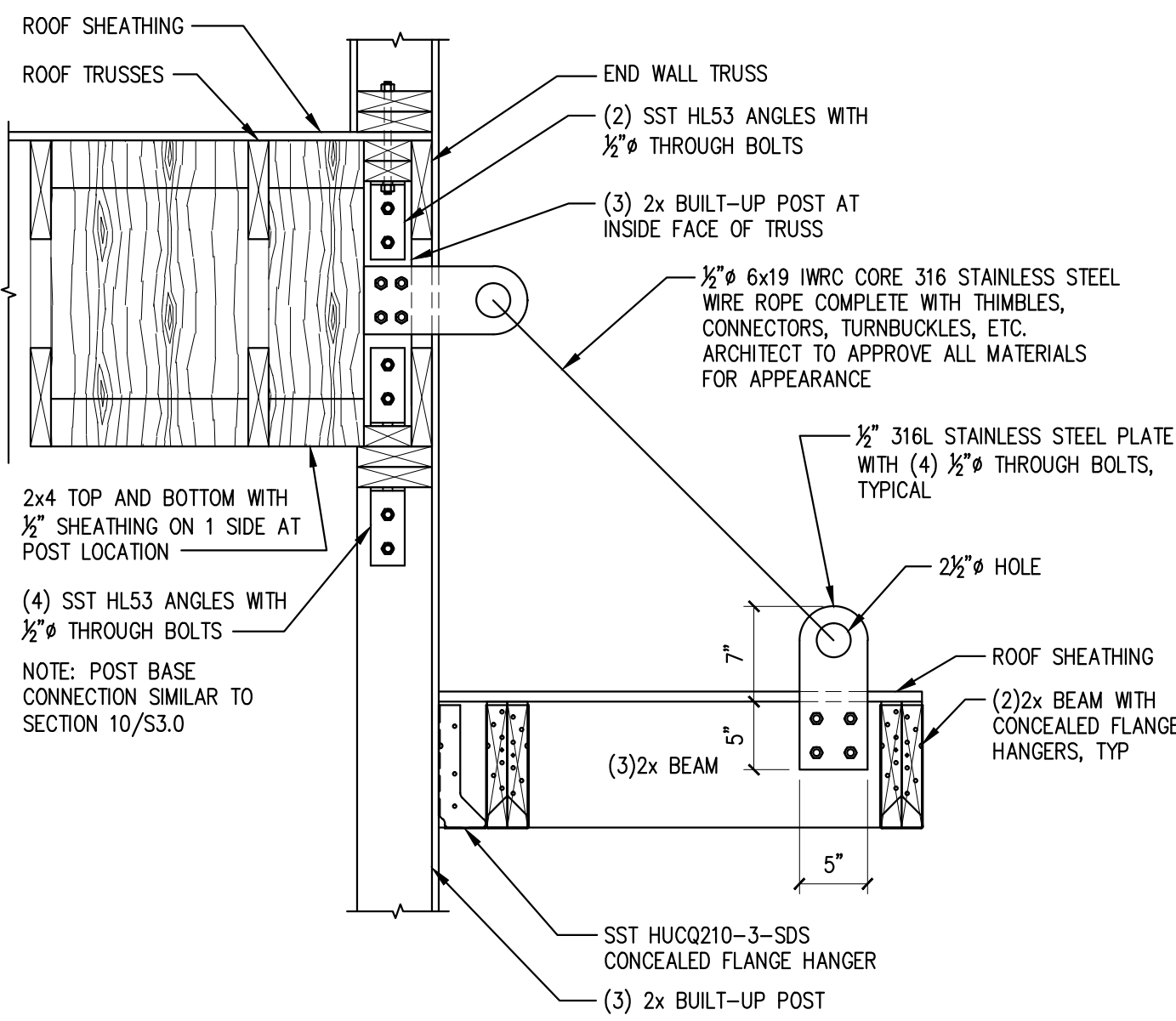
8 SECTION
1" = 1'-0"



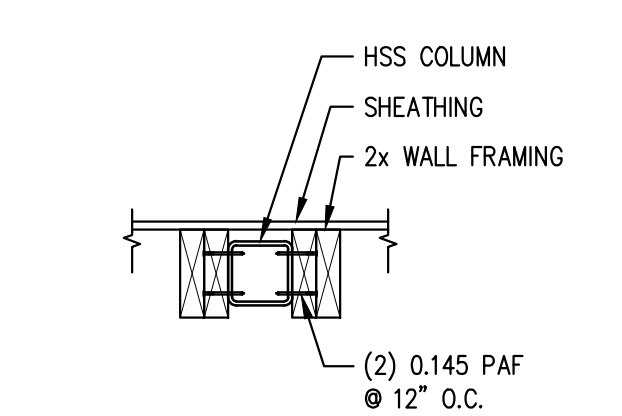
9 SECTION
1" = 1'-0"



10 SECTION
1" = 1'-0"



11 SECTION
1" = 1'-0"



A DETAIL
1" = 1'-0"

No.	DESCRIPTION	ISSUED FOR	DATE	
			BY	ED
A	90% ISSUED FOR CLIENT REVIEW	ISSUED FOR CONSTRUCTION	10-17-16	10-24-16
0				

SHEET TITLE:

FRAMING DETAILS

DESIGNED:	PR
DRAWN:	PR
DATE:	08-29-16
PROJECT NUMBER:	16-090