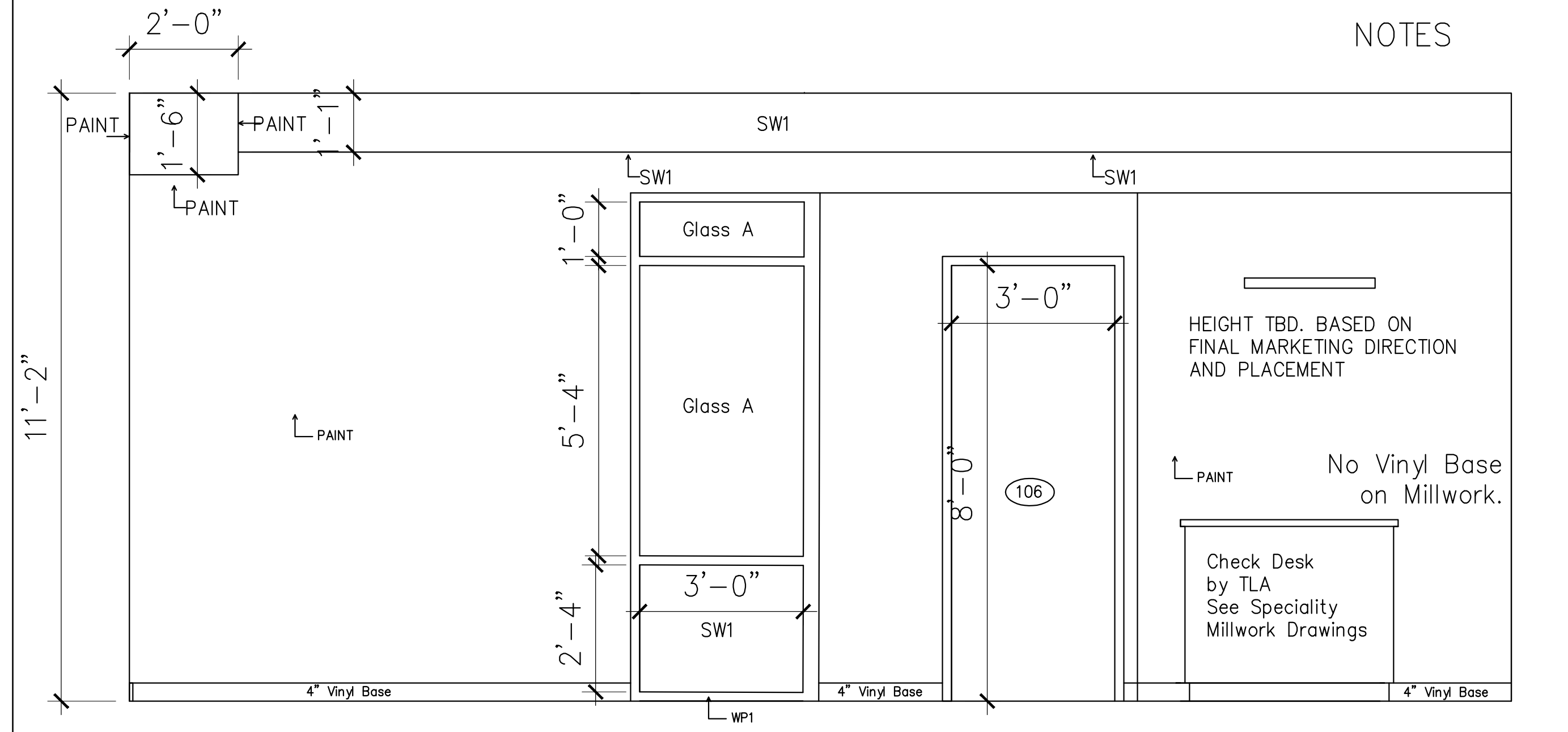


LOBBY-Offices/Waiting
SCALE: 1/2" = 1'-0"
C1



LOBBY
SCALE: 1/2" = 1'-0"
B3

NOTES

WP1 WILSON PARTITIONS STORE FRONT SYSTEM.SERIES 487-(WALL DEPTH 4 7/8") 2" TRIM PRIMED AND READY TO PAINT. SUPPLIED AND INSTALLED BY G.C.- SPECS BY TLA

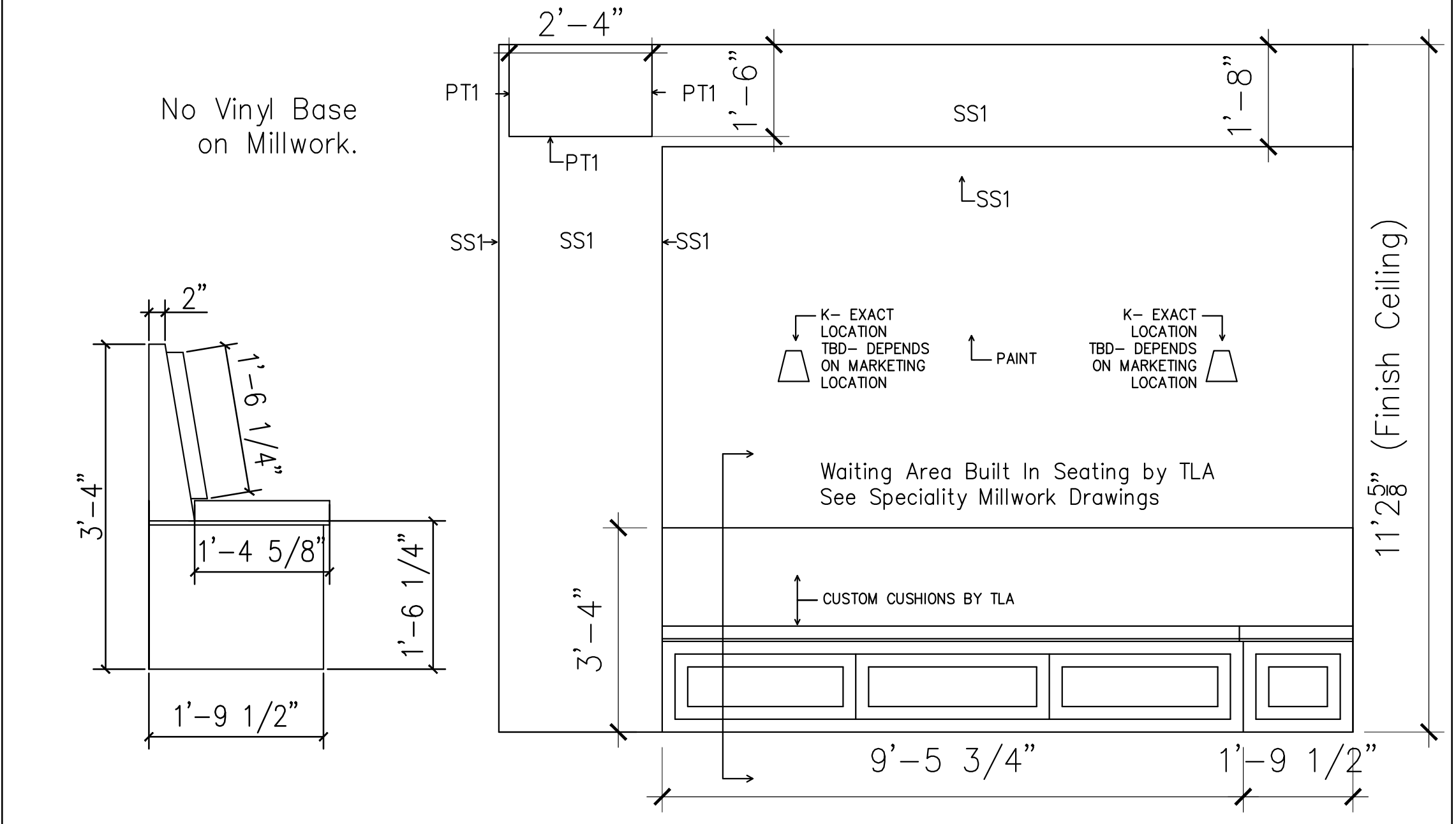
SW1 TERRAMAI - Color:Dirty Face Location:Lobby & Office Side in the Wilson partitions

Material B Stone-Boston Blend (Mosaic)

HPL1 Laminate - Surface Materials Aged Oak VN210

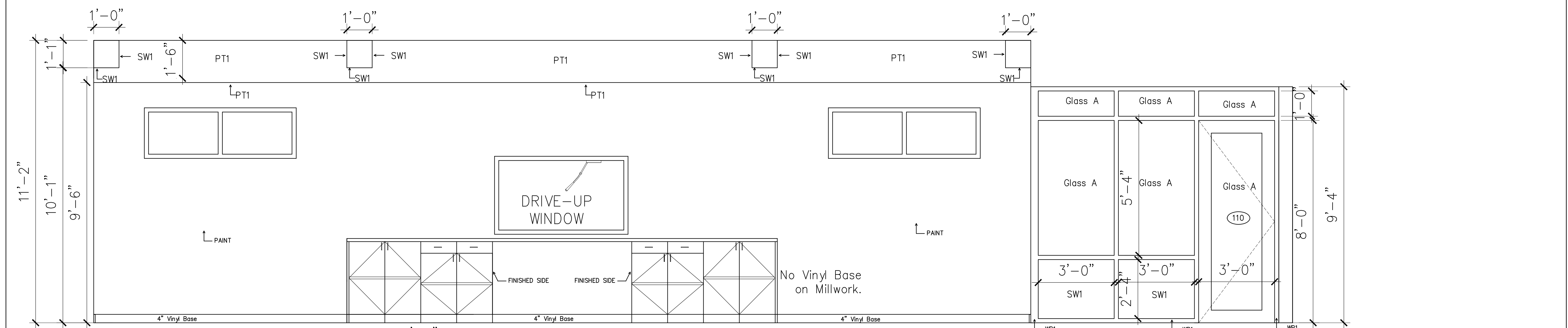
Glass A Clear Tempered Glass

SS1 STONEYARD.COM BOSTON BLEND (MOOSAIC)



BANQUETTE SECTION
SCALE: NTS
B4

LOBBY - Waiting Area
SCALE: 1/2" = 1'-0"
B4



LOBBY-Drive-Up Wall
SCALE: 1/2" = 1'-0"
A1

Drive Up by TLA See Speciality Millwork Drawings- NO VINLY BASE ON MILLWORK

Joe DiDonato
2124

400 US Route One, Suite A South
Falmouth, ME 04105
Tel: (207) 842-6260
Fax: (207) 842-6271
1 (800) 232-2253



Rev. No.	Date	Description	Drawn by: JFD

FOR CONSTRUCTION
Infinity Credit Union
29 Baxter Boulevard
Portland, ME
Elevations

A5.2
sheet number
issued: 10.24.2016
project no. 1605