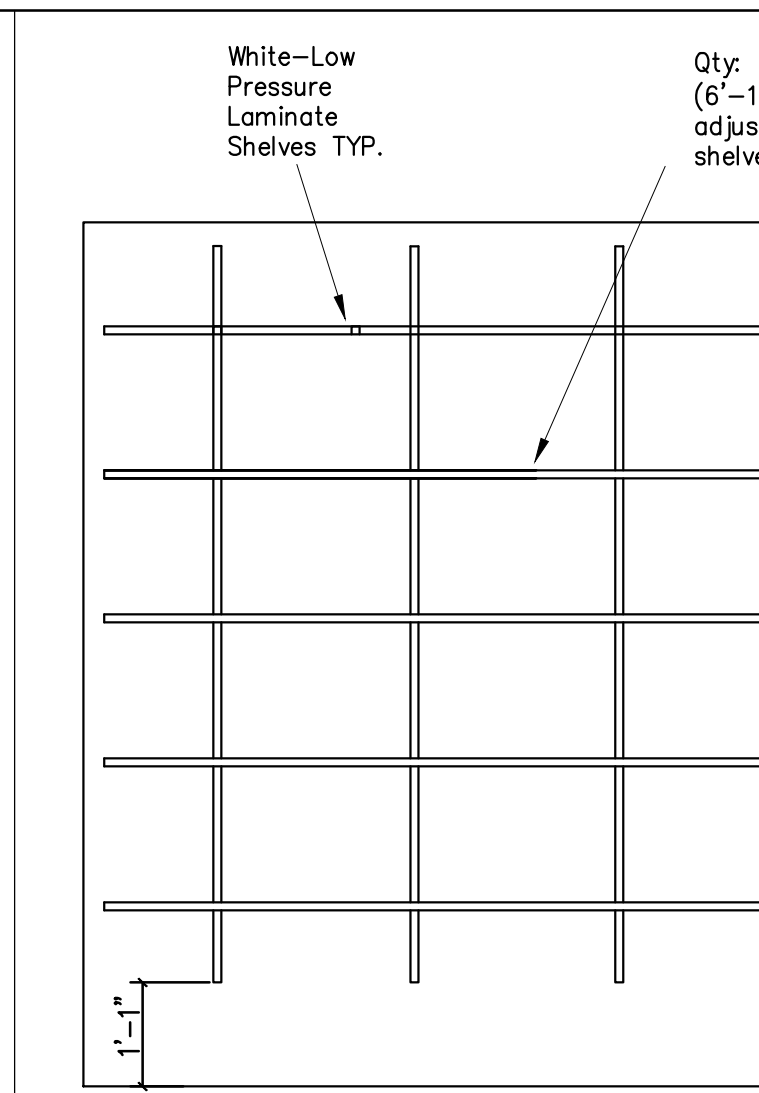
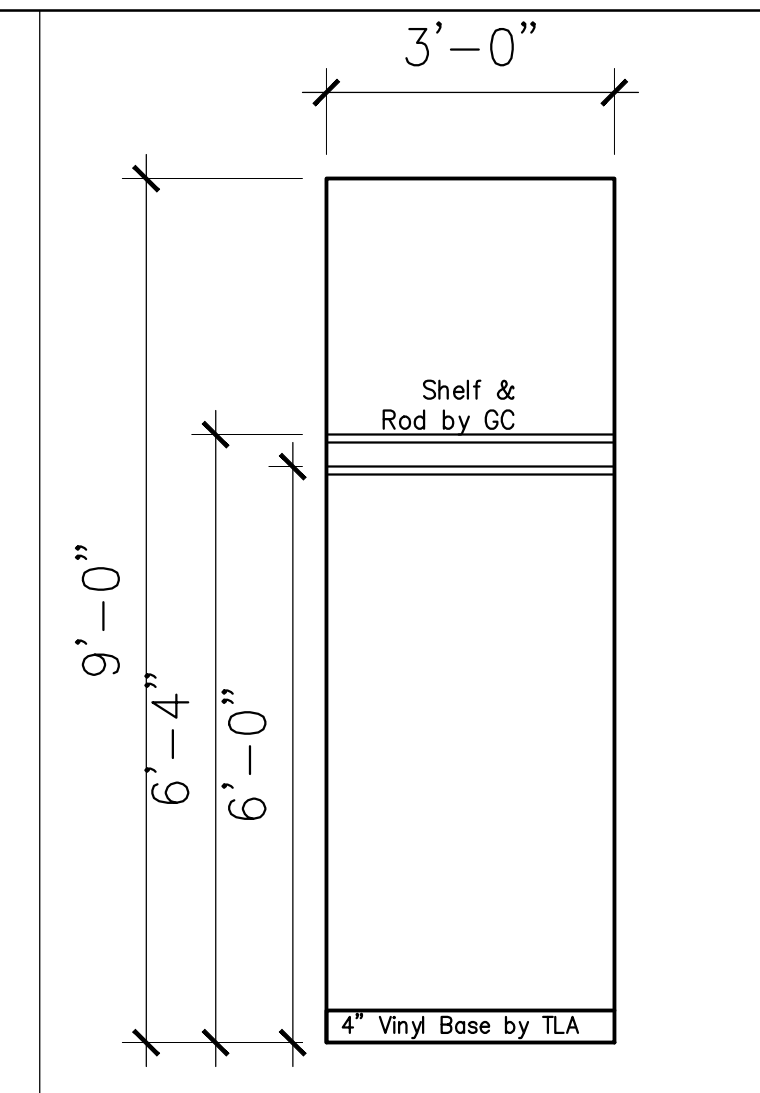


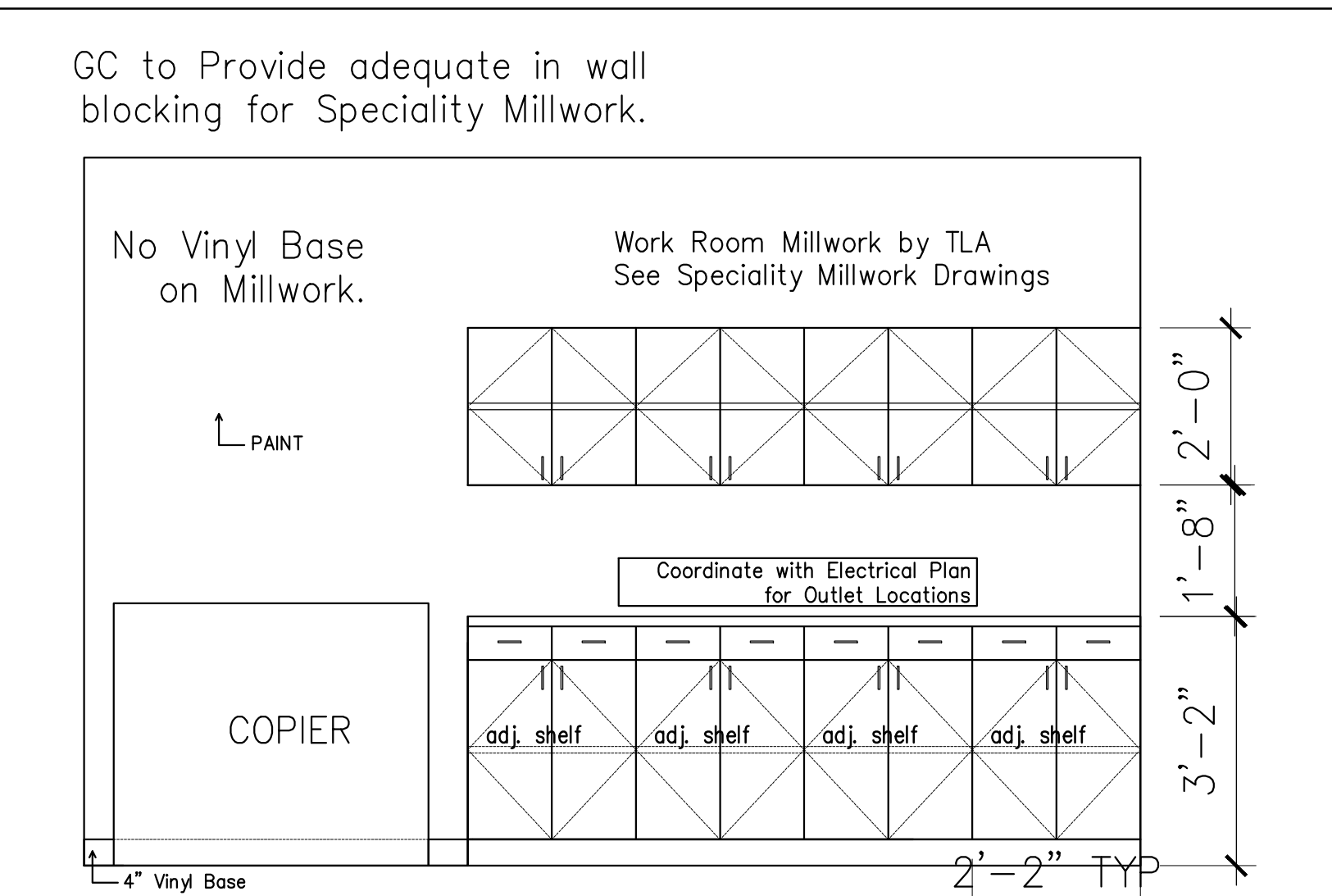
Supply CLOS 107
SCALE: 1/2" = 1'-0"



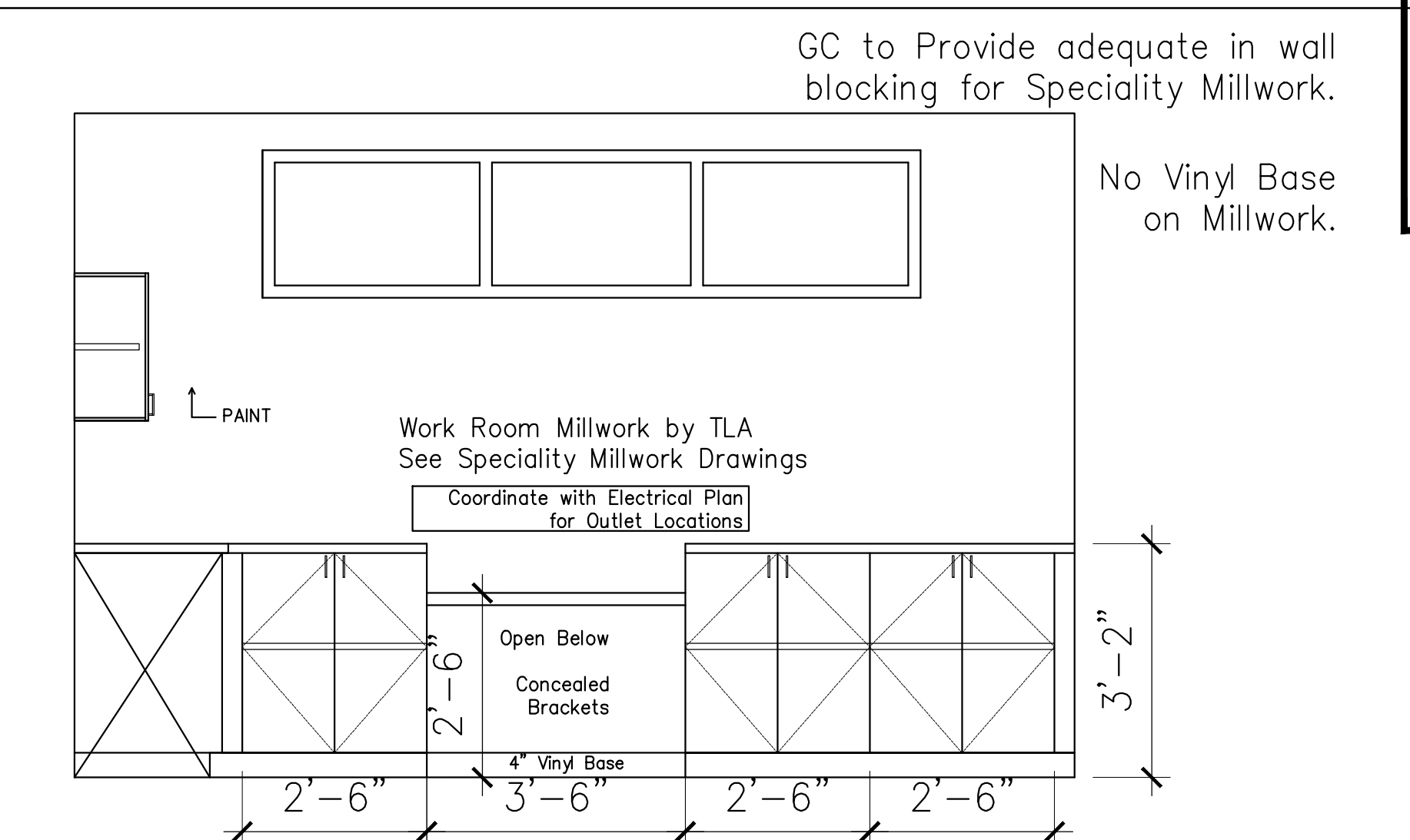
Supply CLOS 107
SCALE: 1/2" = 1'-0"



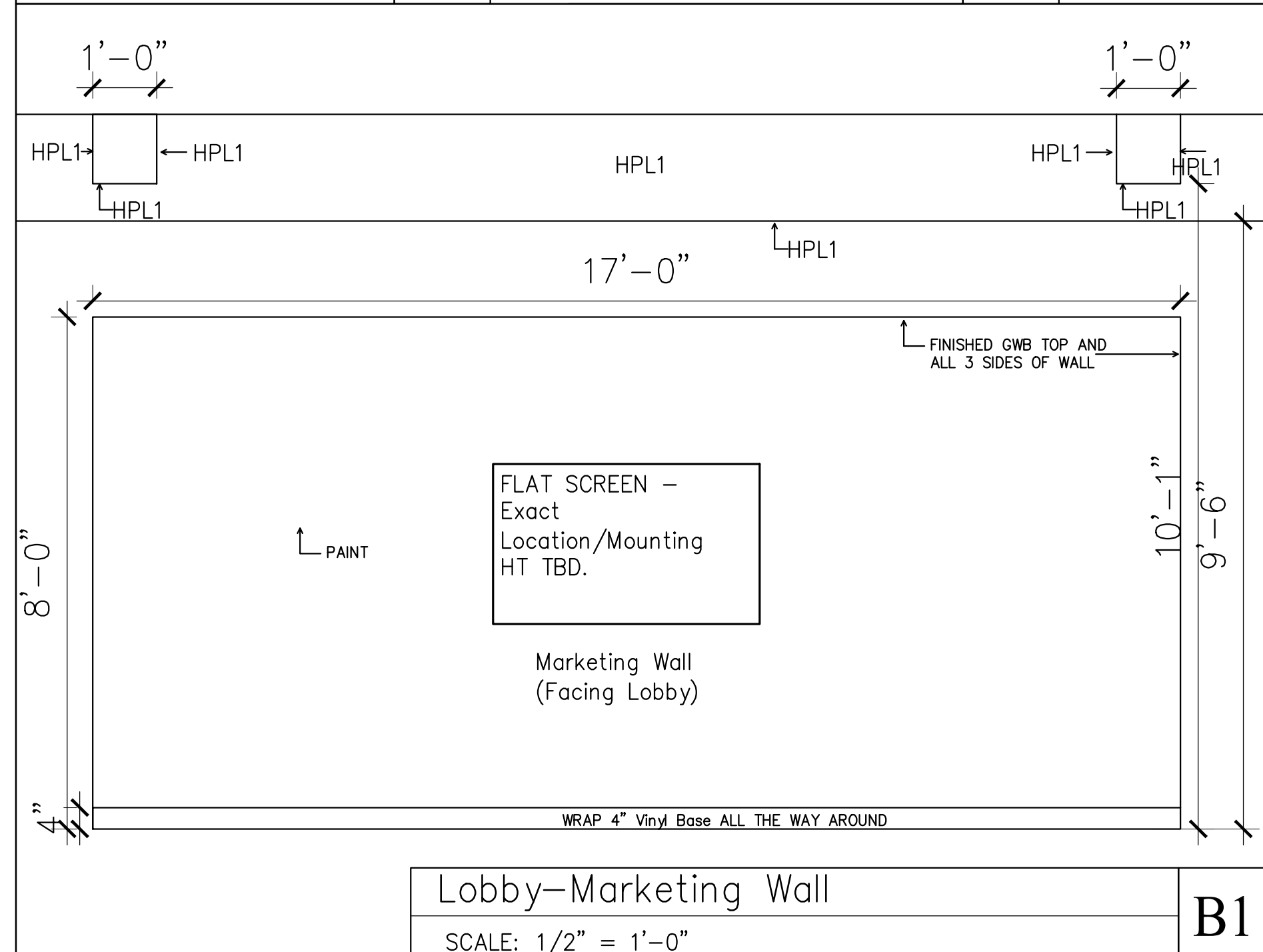
CLOS 105
SCALE: 1/2" = 1'-0"



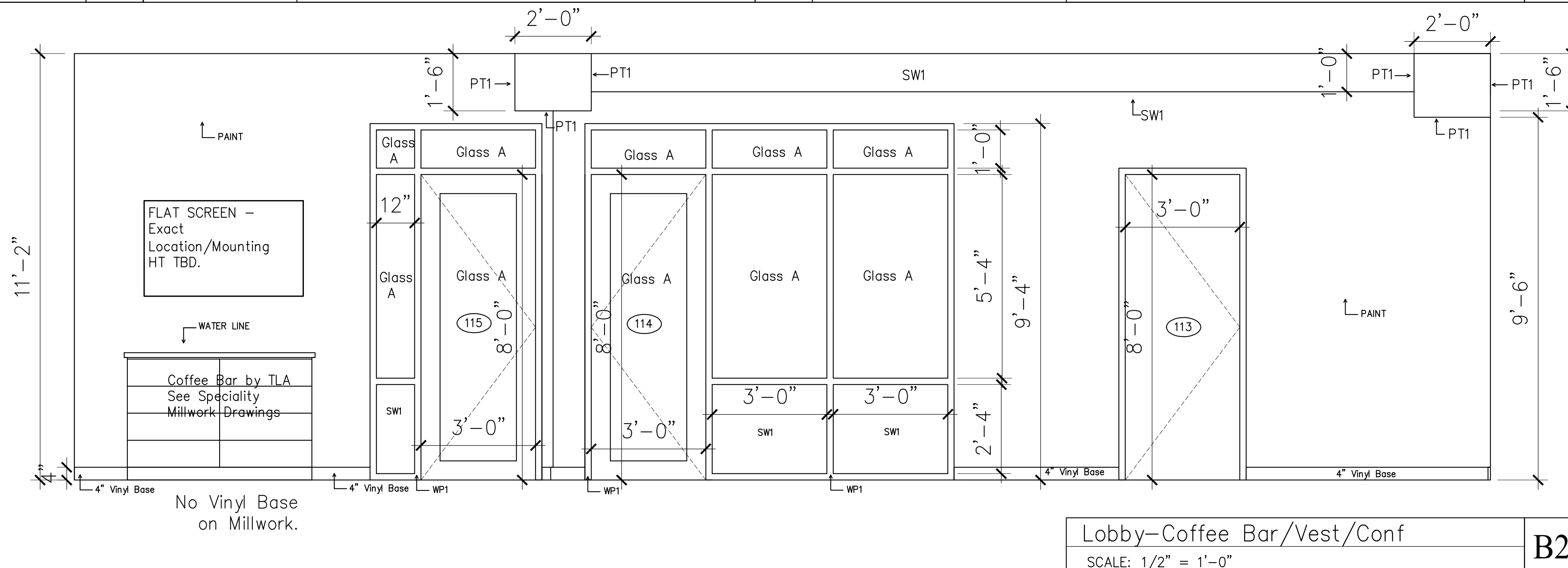
Work Rm
SCALE: 1/2" = 1'-0"



Work Rm
SCALE: 1/2" = 1'-0"



Lobby-Marketing Wall
SCALE: 1/2" = 1'-0"

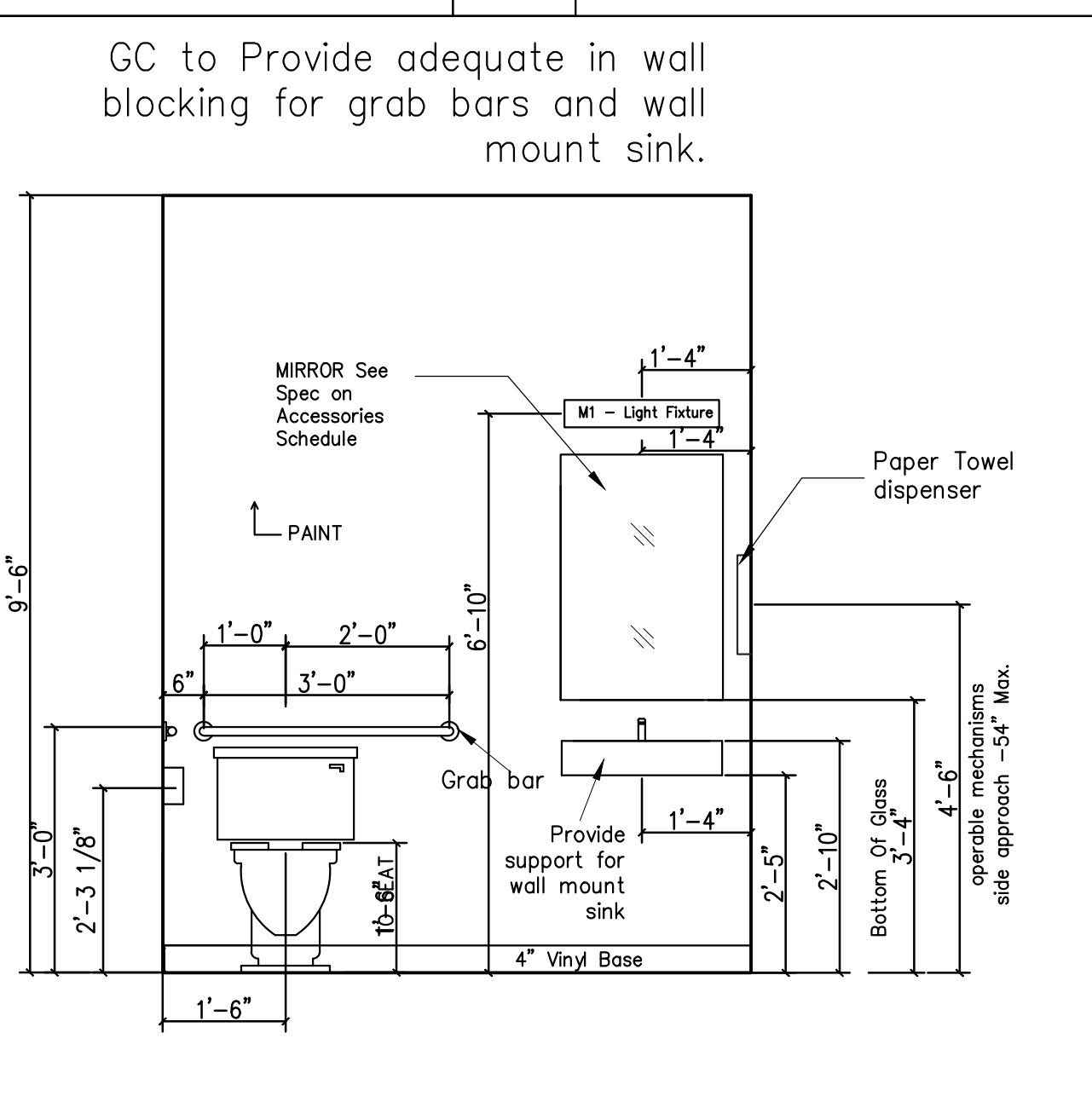


Lobby-Coffee Bar/Vest/Conf
SCALE: 1/2" = 1'-0"

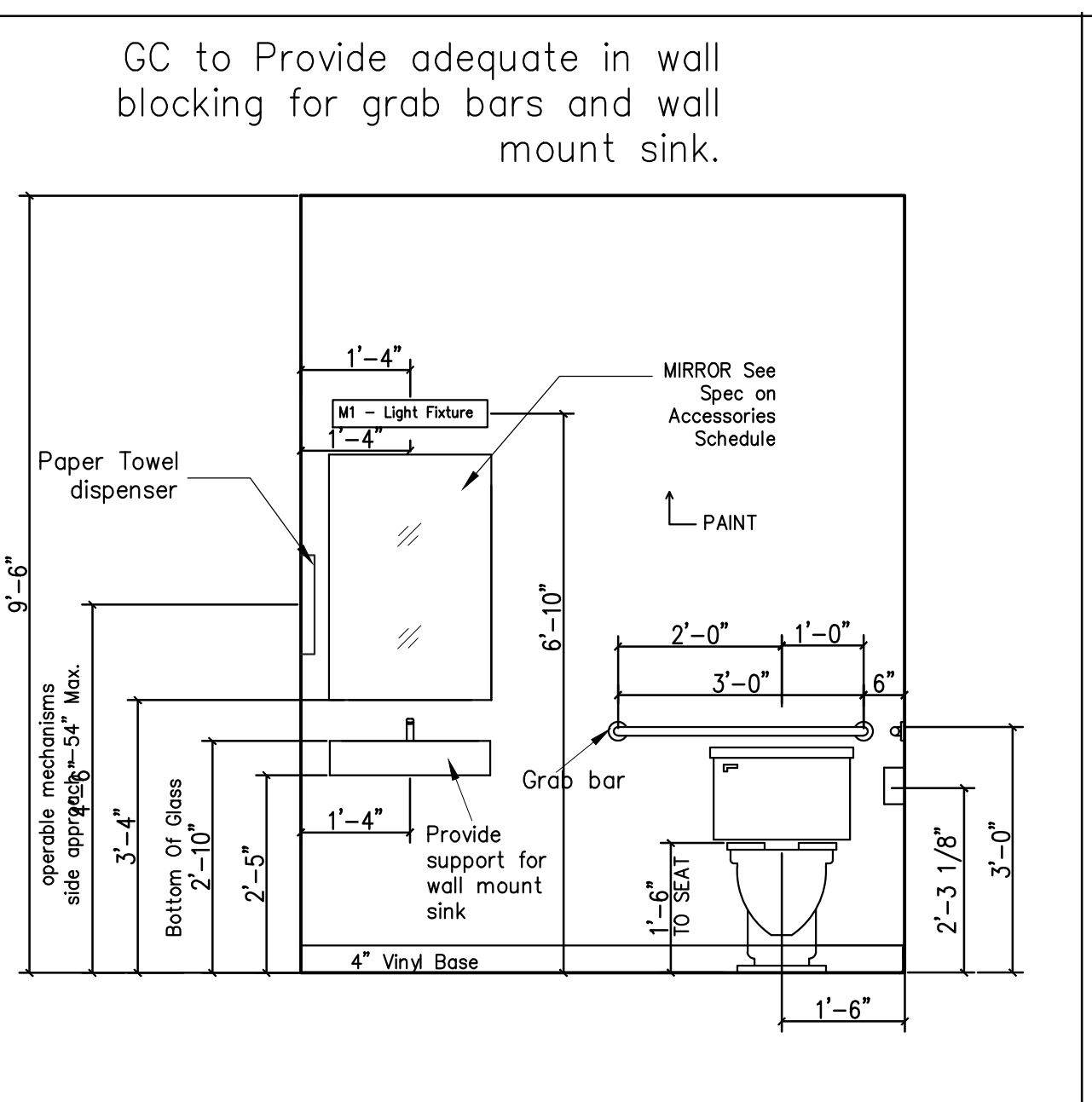
Toilet Accessories - Toilet 109 & 110

Quantity	Item No.	Description
2	Palmer Fixture T245WH WHITE	Paper Towel Dispenser
2	By Owner	Toilet Paper Holder
2	AS01-3801-42P	Grab Bar
2	AS01-3801-36P	Grab Bar
2	Palmer Fixture SF2150-17 WHITE	Soap Dispenser
2	AS01-7345-B	Robe Hook
2	Duravit Vero 24" Wall Mount (ADA Compliant Version)	Bathroom Sink
2	Moen Premium 90 Degree Lav Sgl Mnt Chr Chrome S6700	Bathroom Faucet
(CONTACT TLA 207-842-6260 W/Questions on SINK SPEC or FAUCET SPEC)		
2	Granger Framed Mirror SST, Aluminum, 24x36"	Mirror
Janitor		
1	AS01-7345-B	Robe Hook
1	AS01-8215-3	Map Rack
Break Rm 107		
1	Palmer Fixture T245WH WHITE	Paper Towel Dispenser
1	Palmer Fixture SF2150-17 WHITE	Soap Dispenser

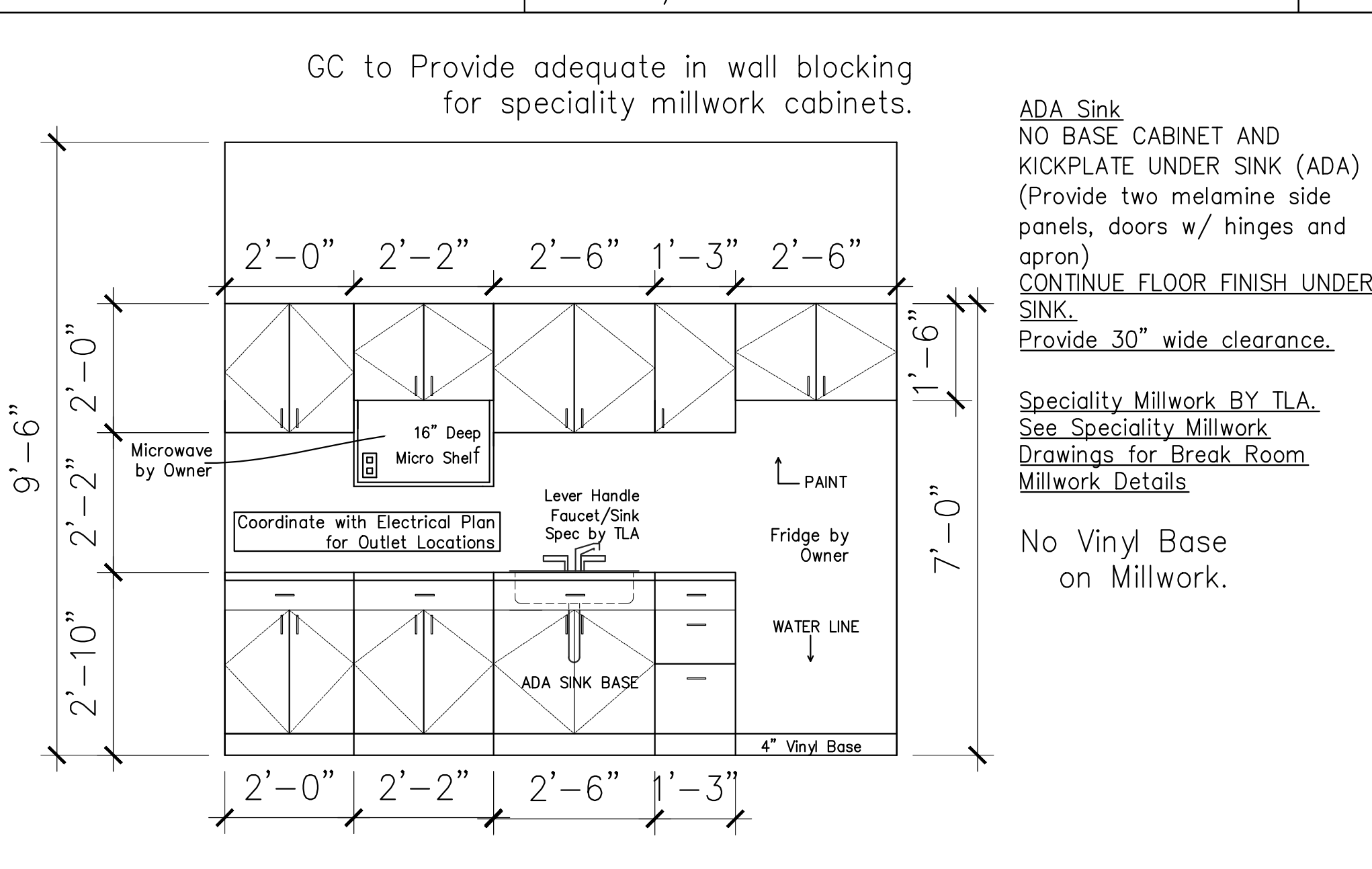
Toilet Accessories
SCALE: 1/2" = 1'-0"



Toilet 109
SCALE: 1/2" = 1'-0"



Toilet 108
SCALE: 1/2" = 1'-0"



Break Rm
SCALE: 1/2" = 1'-0"

Joe DiDonato
2124

400 US Route One, Suite A South
Falmouth, ME 04105
Tel: (207) 842-6260
Fax: (207) 842-6271
1 (800) 232-2253
tlg inc.
creative ■ design ■ solutions

Rev. No.	Date	Description	Drawn by: JFD

FOR CONSTRUCTION
Infinity Credit Union
Portland, ME
29 Baxter Boulevard
Elevations

A5.1
sheet number
issued: 10.24.2016
project no. 1605