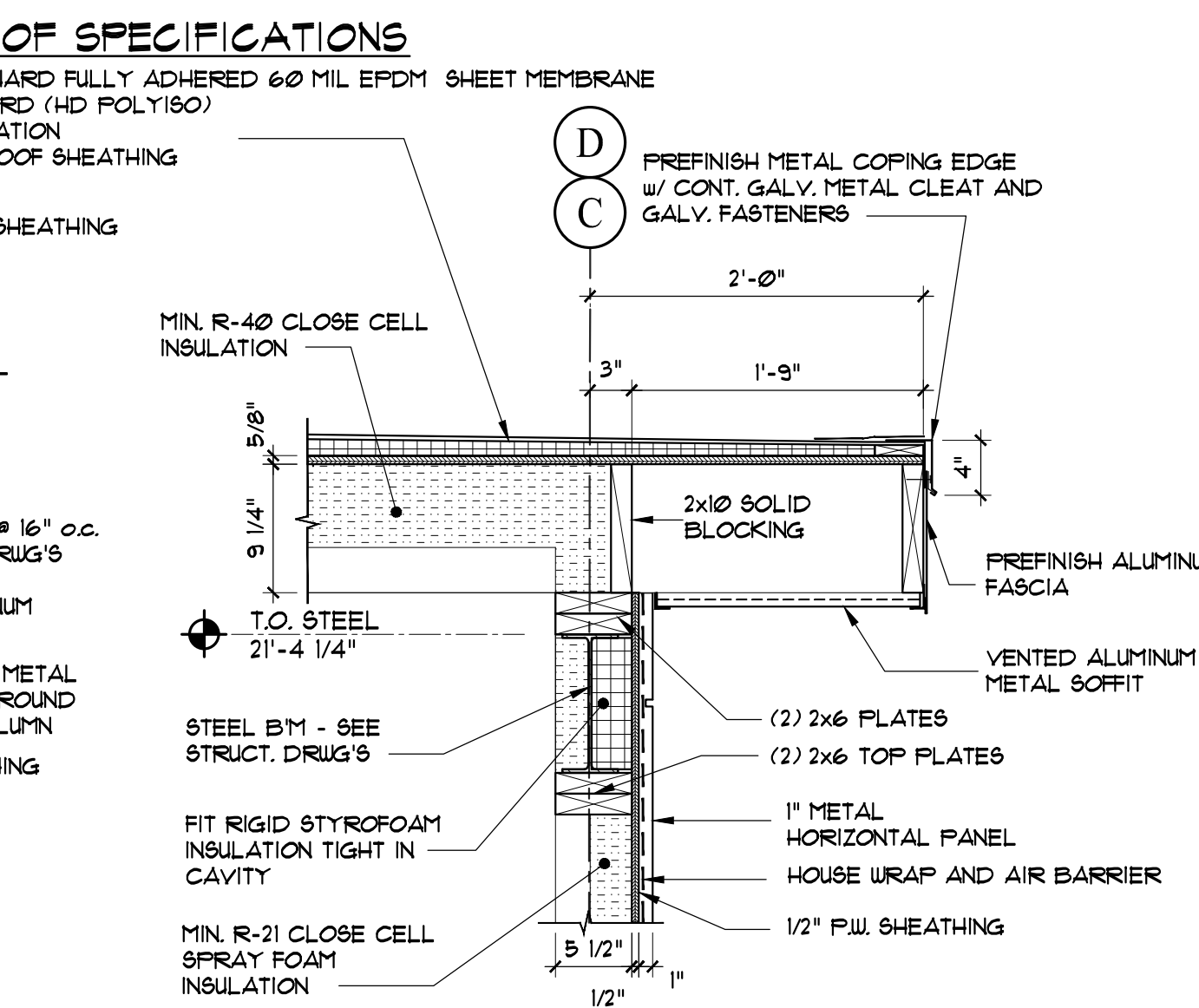
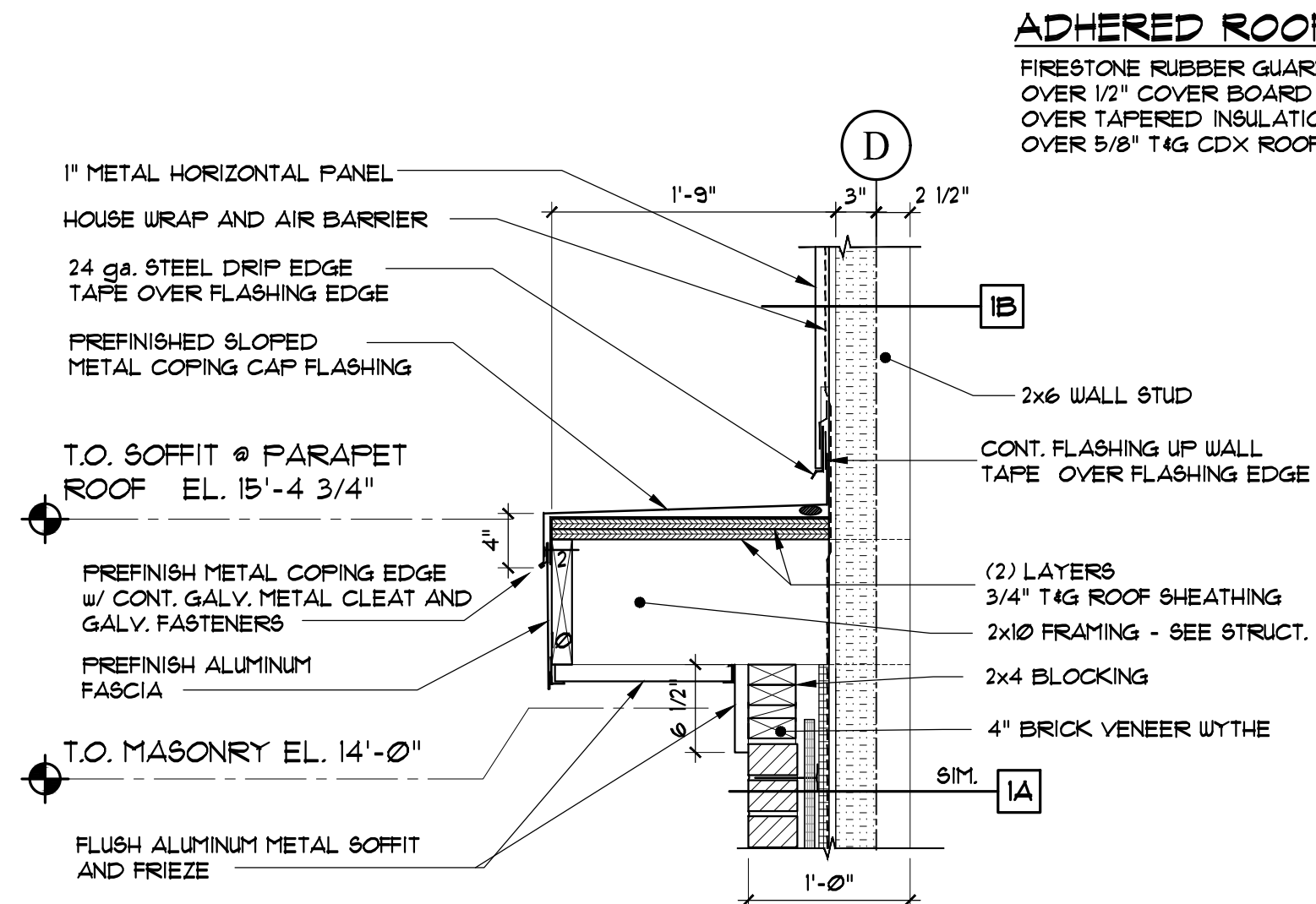


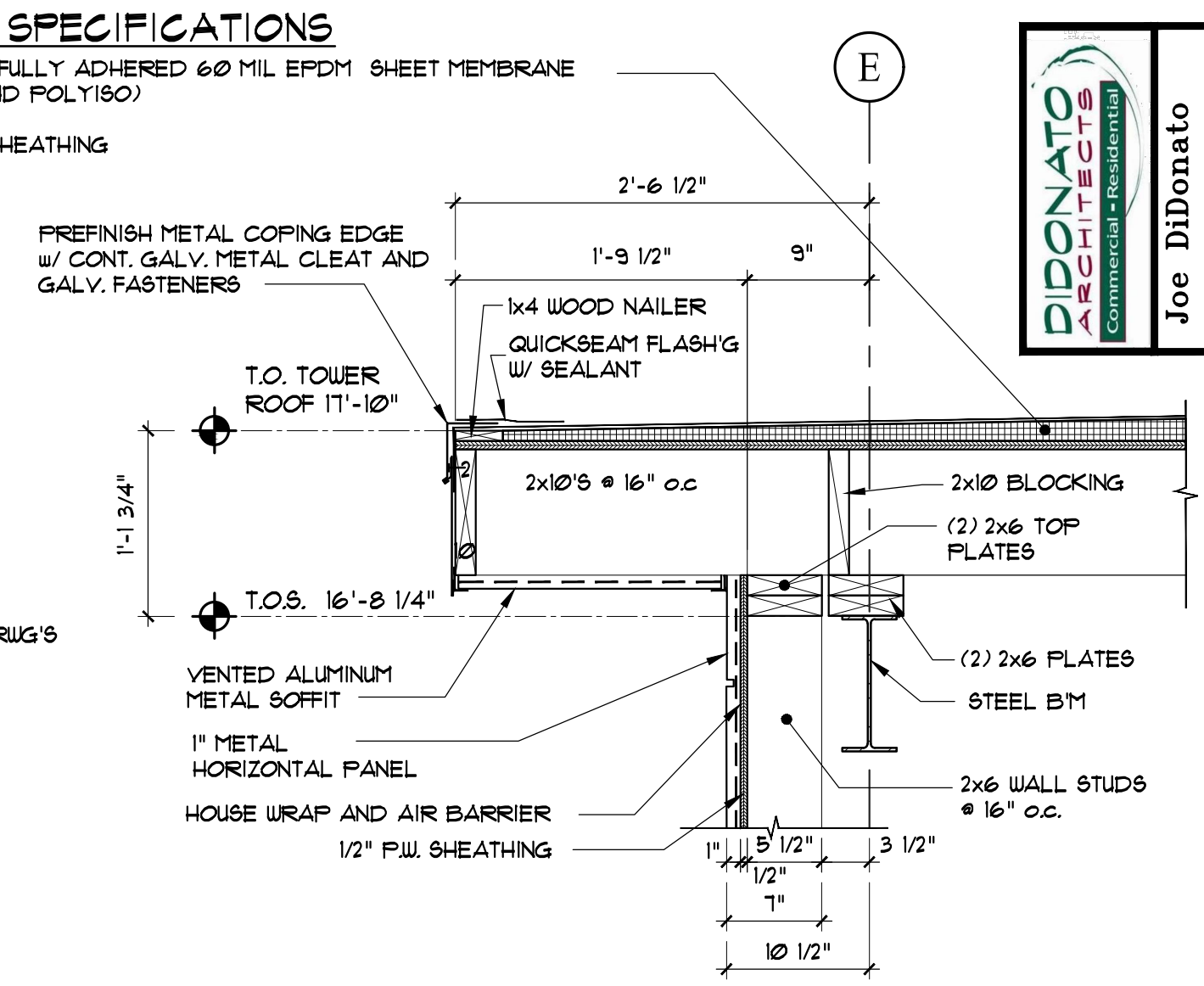
7 BEAM DETAIL @ STREET ENTRANCE
Scale: 1" = 1'-0"



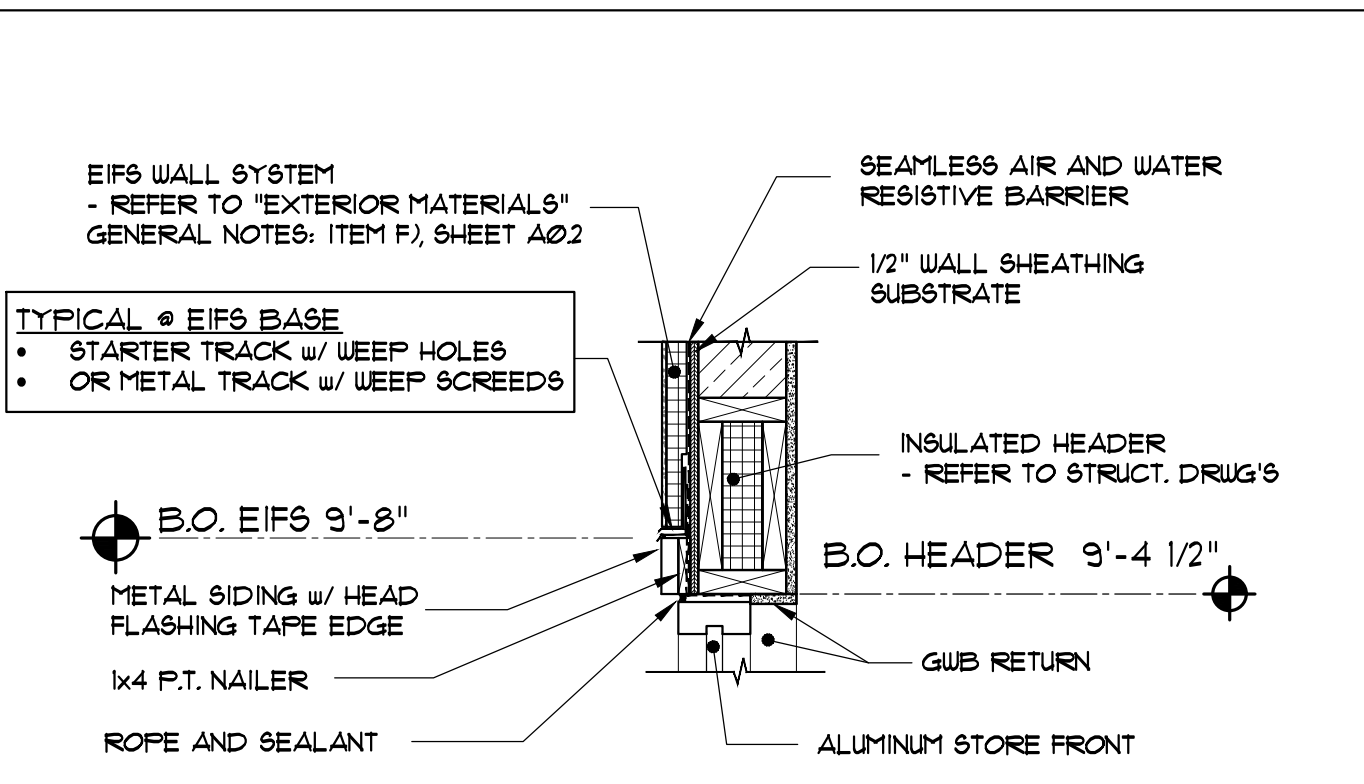
8 SOFFIT DETAIL @ TOWER ROOF
Scale: 1" = 1'-0"



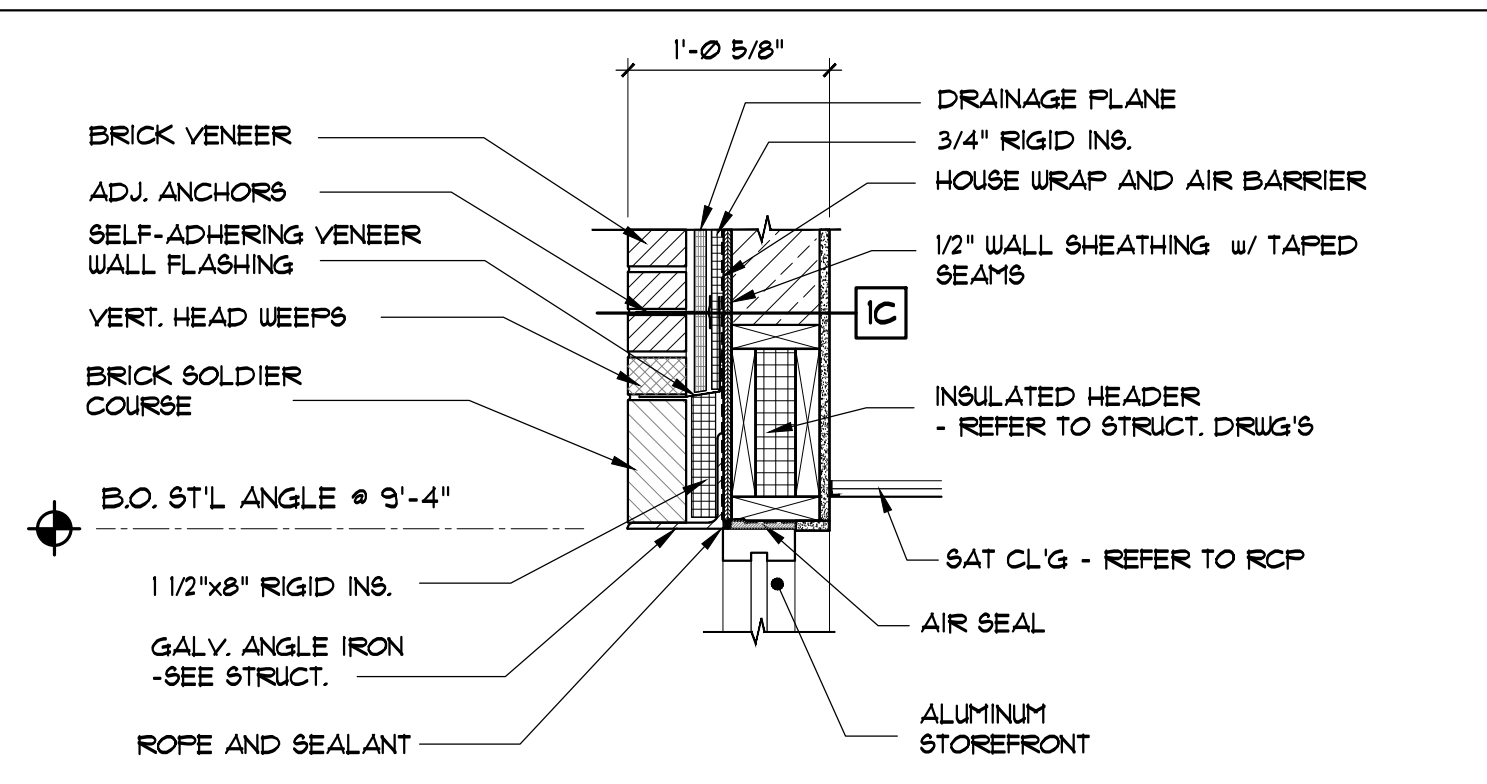
9 SOFFIT DETAIL @ TOWER ROOF
Scale: 1" = 1'-0"



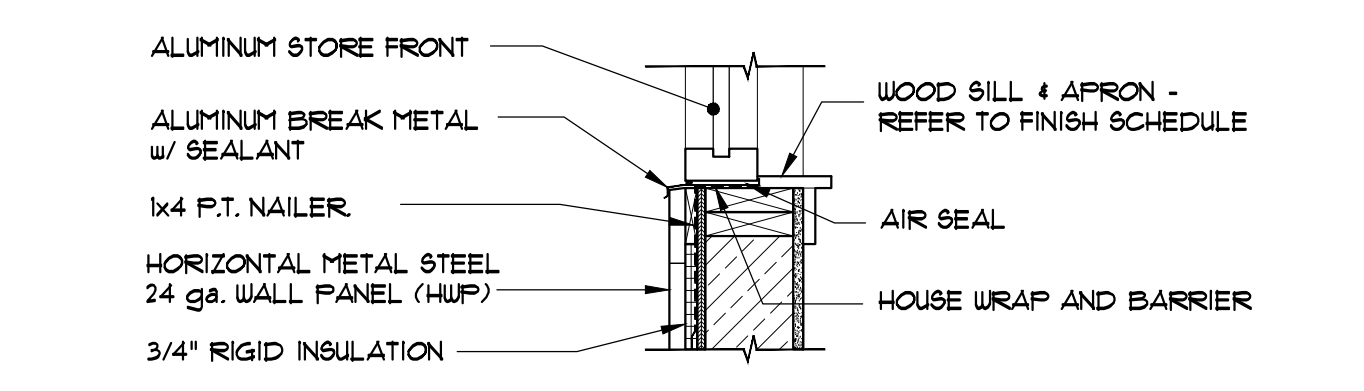
10 SOFFIT DETAIL @ TOWER ROOF
Scale: 1" = 1'-0"



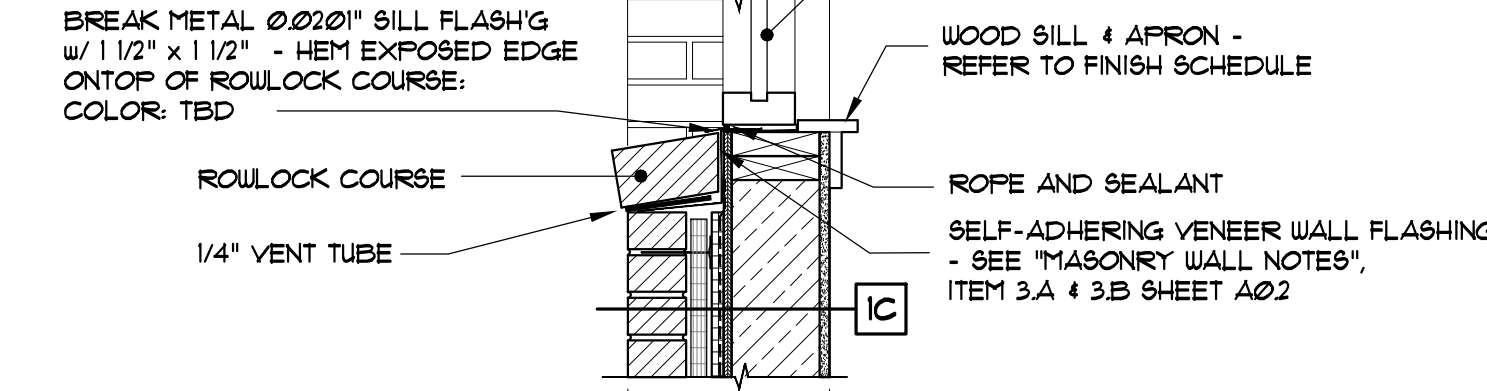
3 WINDOW HEAD DETAIL
Scale: 1" = 1'-0"



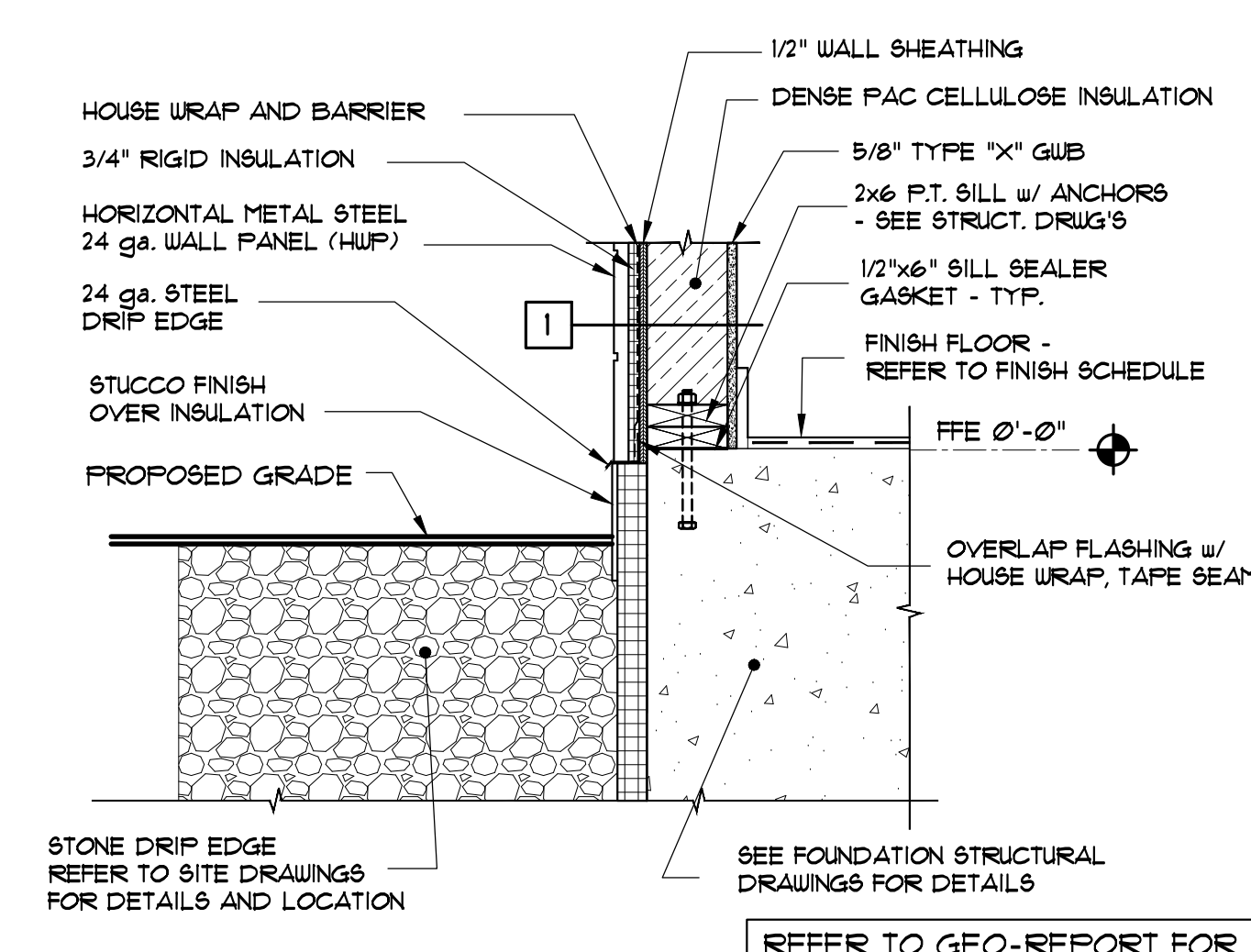
6 WINDOW HEAD DETAIL
Scale: 1" = 1'-0"



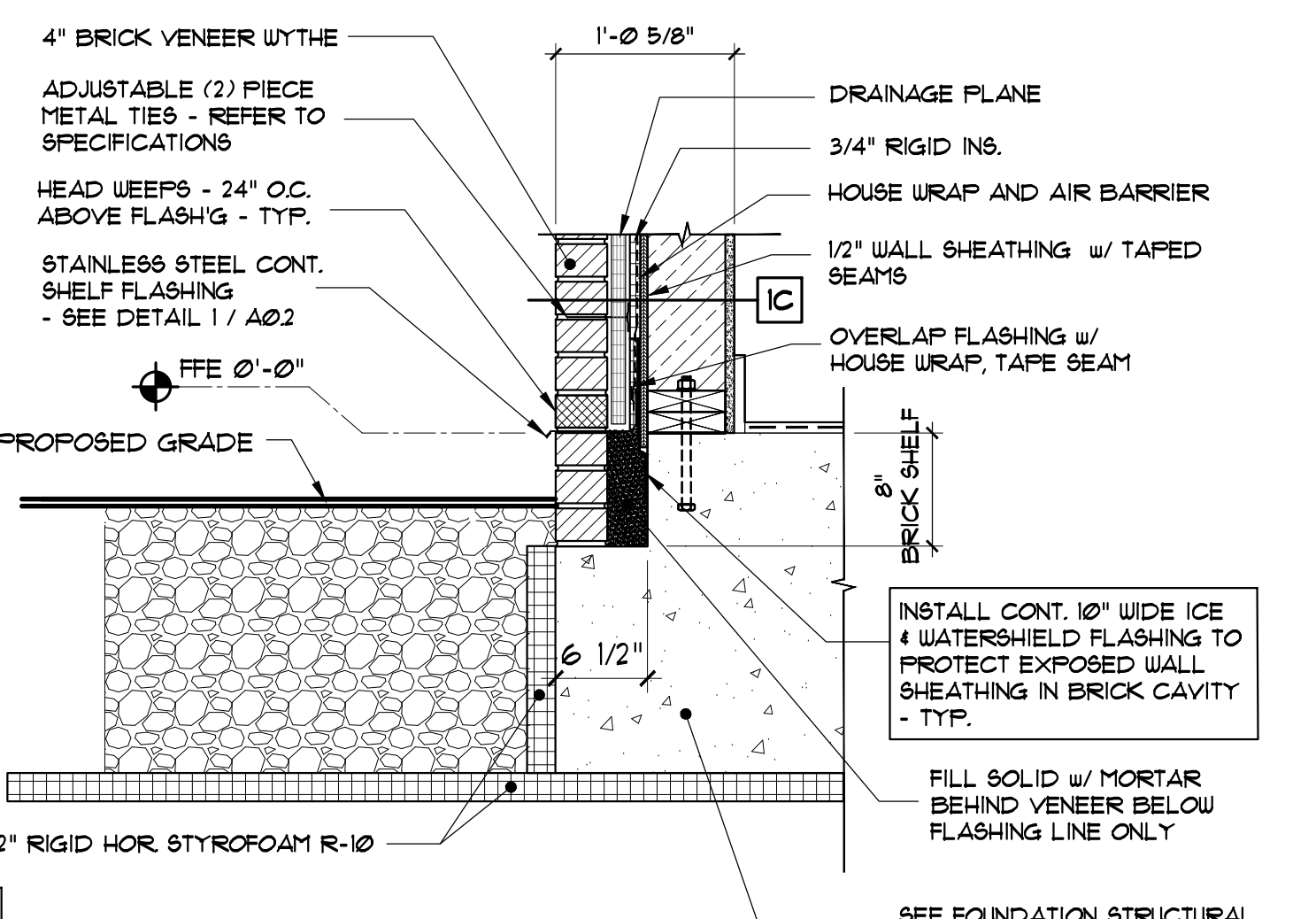
2 WINDOW SILL DETAIL
Scale: 1" = 1'-0"



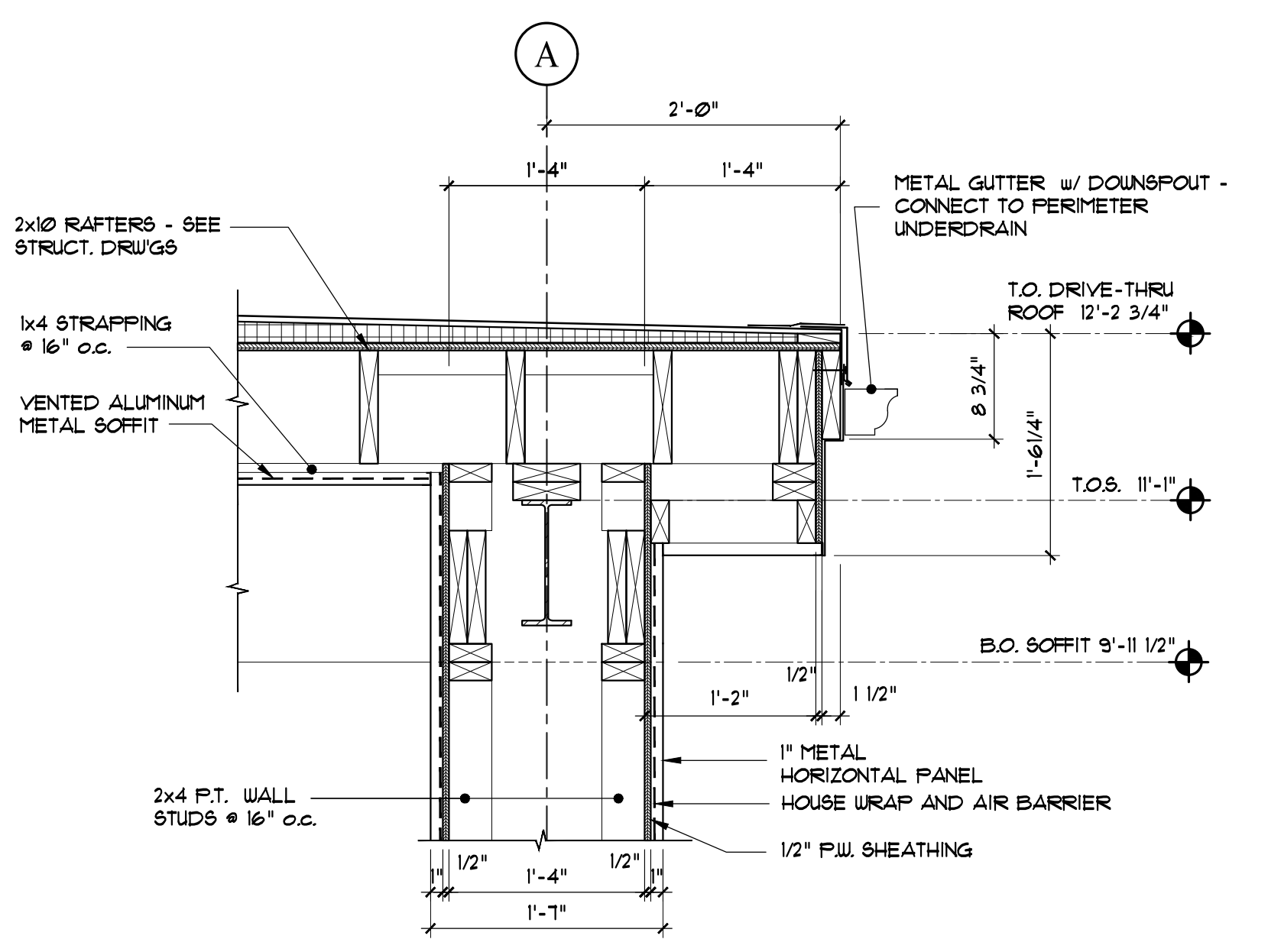
5 WINDOW SILL DETAIL
Scale: 1" = 1'-0"



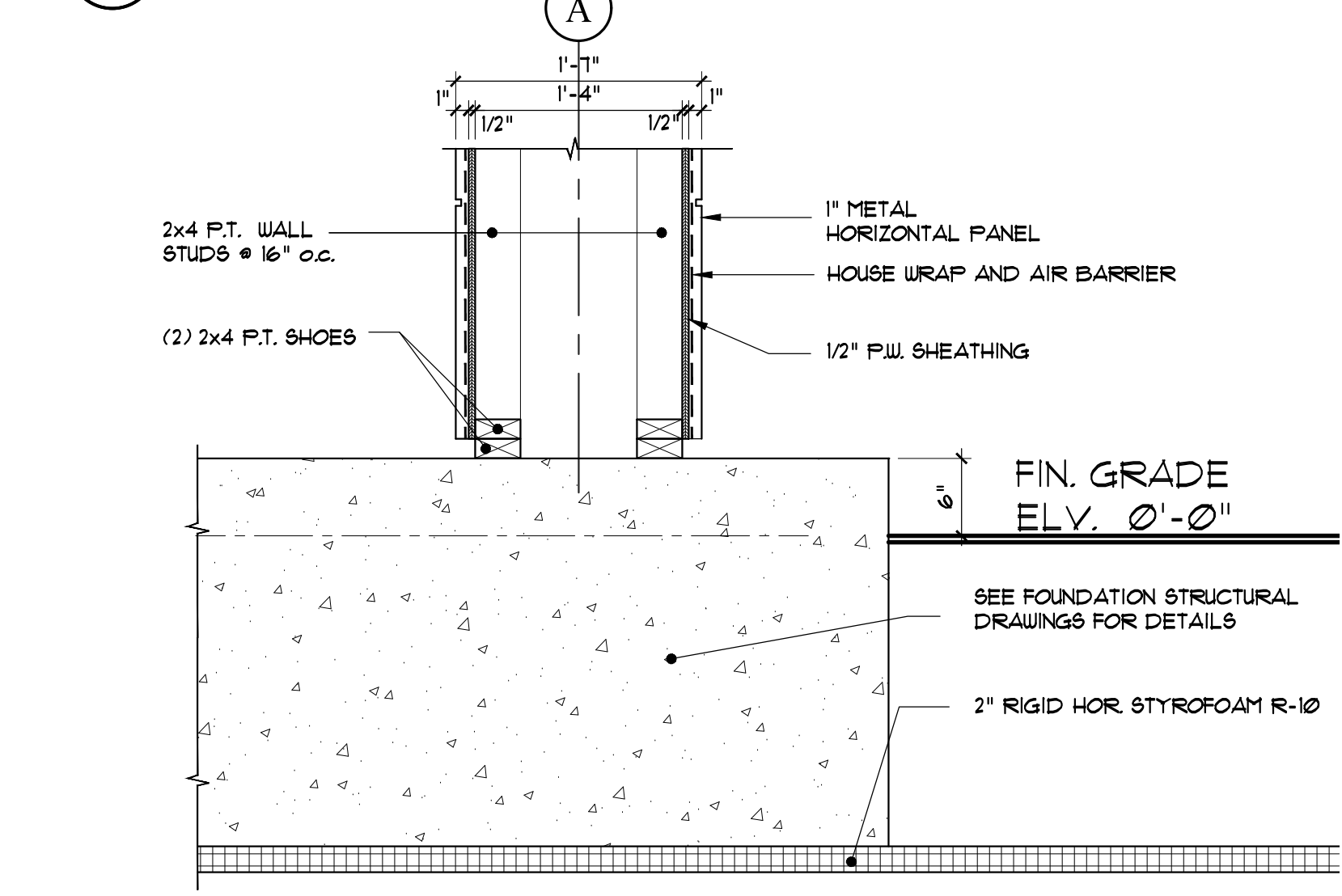
1 FOUNDATION DETAIL
Scale: 1" = 1'-0"



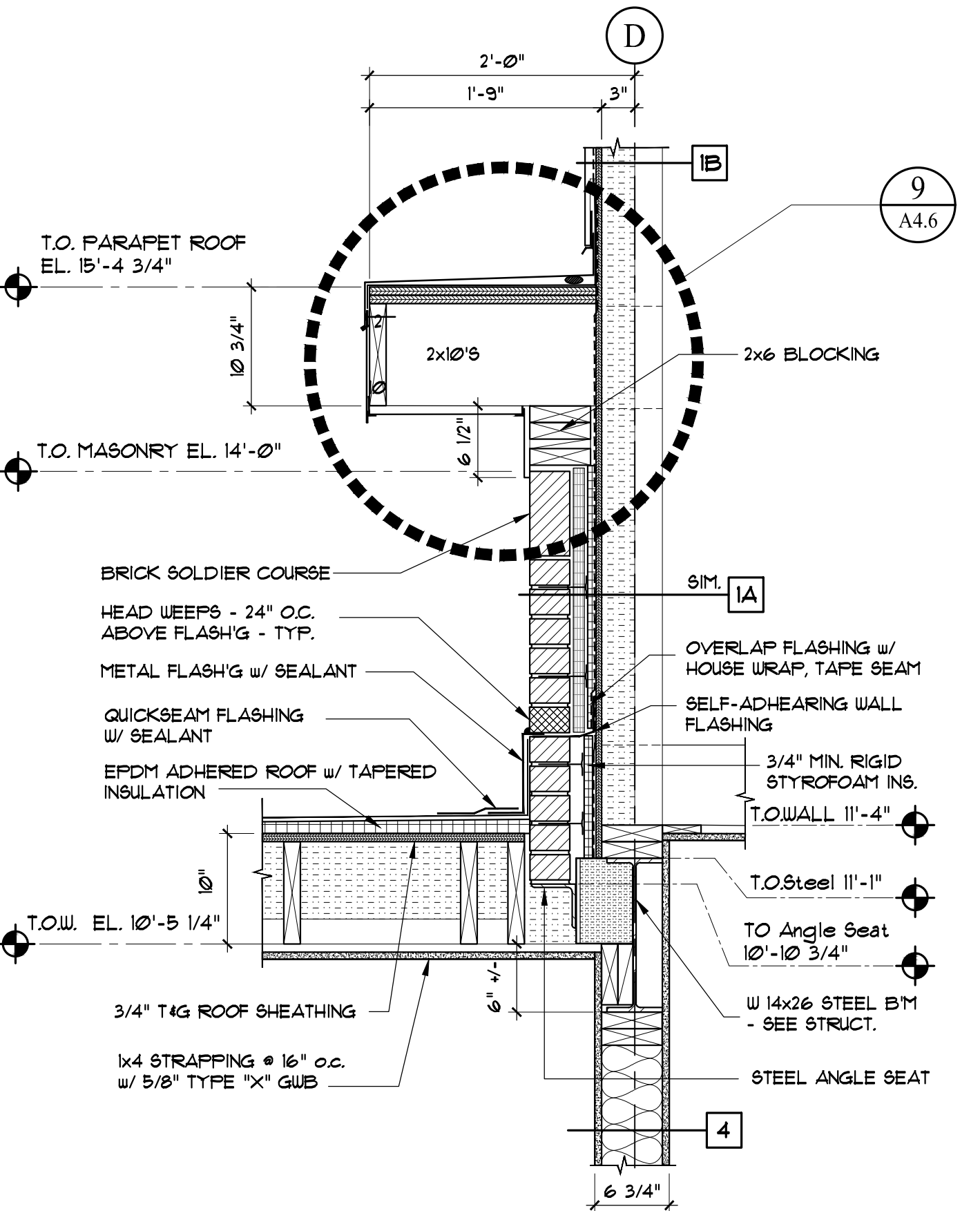
4 FOUNDATION DETAIL
Scale: 1" = 1'-0"



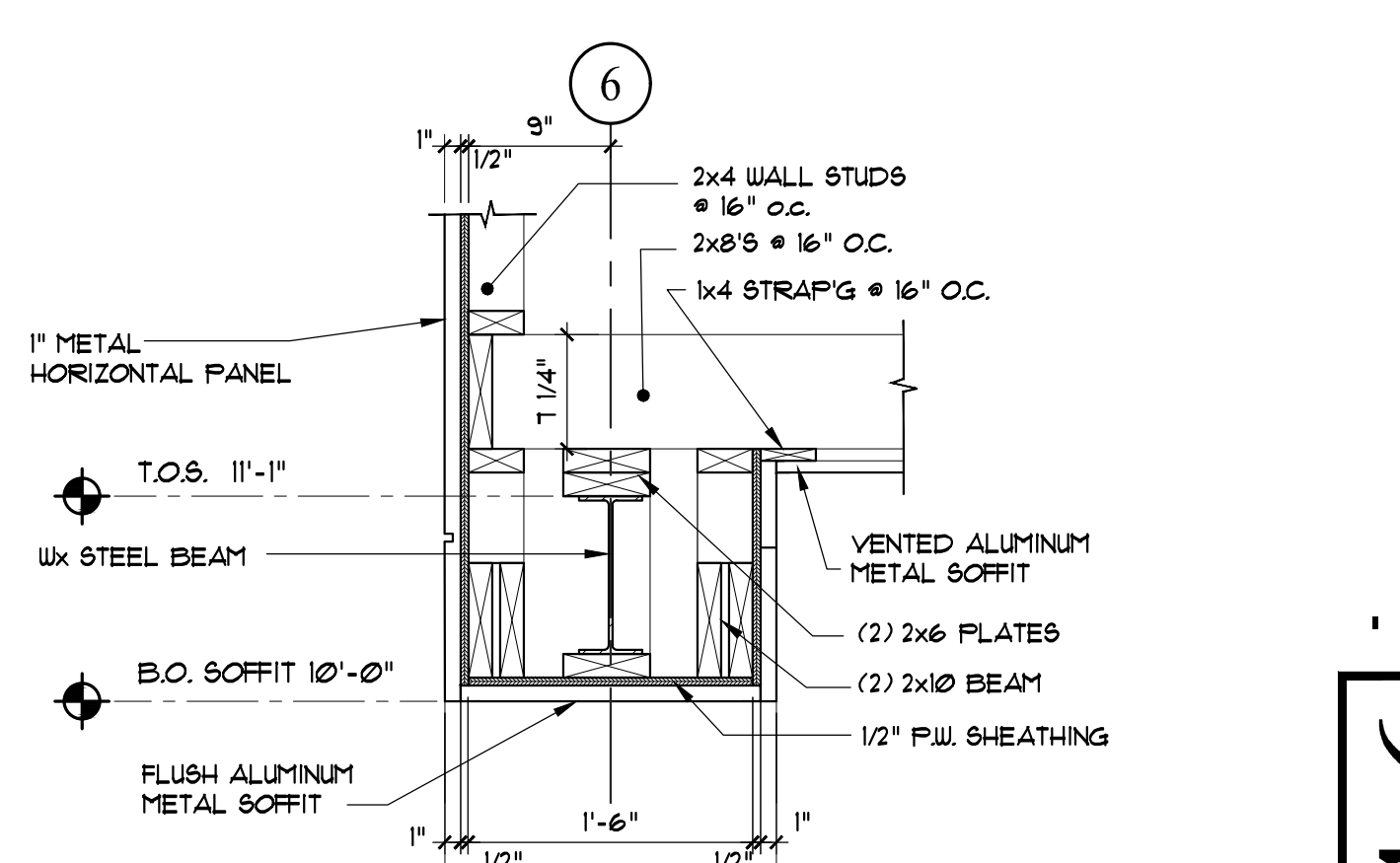
11 SOFFIT / COLUMN DETAIL @ DRIVE-THRU
Scale: 1" = 1'-0"



12 COLUMN BASE DETAIL @ DRIVE-THRU
Scale: 1" = 1'-0"



13 SOFFIT / ROOF DETAIL
Scale: 1" = 1'-0"



14 SOFFIT @ MAIN ENTRANCE
Scale: 1" = 1'-0"

PIDONATO
COMMERCIAL RESIDENTIAL
Joe DiDonato

400 US Route One, Suite A South
Falmouth, ME 04105
Tel: (207) 842-6260
Fax: (207) 842-6271
1 (800) 232-2253

tlg inc.
creative ■ design ■ solutions

Rev. No.	Date	Description	Drawn by: JFD

Infinity Credit Union
Portland, ME
29 Baxter Boulevard
DETAILS

A4.6
sheet number
issued: -
project no. 1605

99% PROGRESS SET 10-21-16