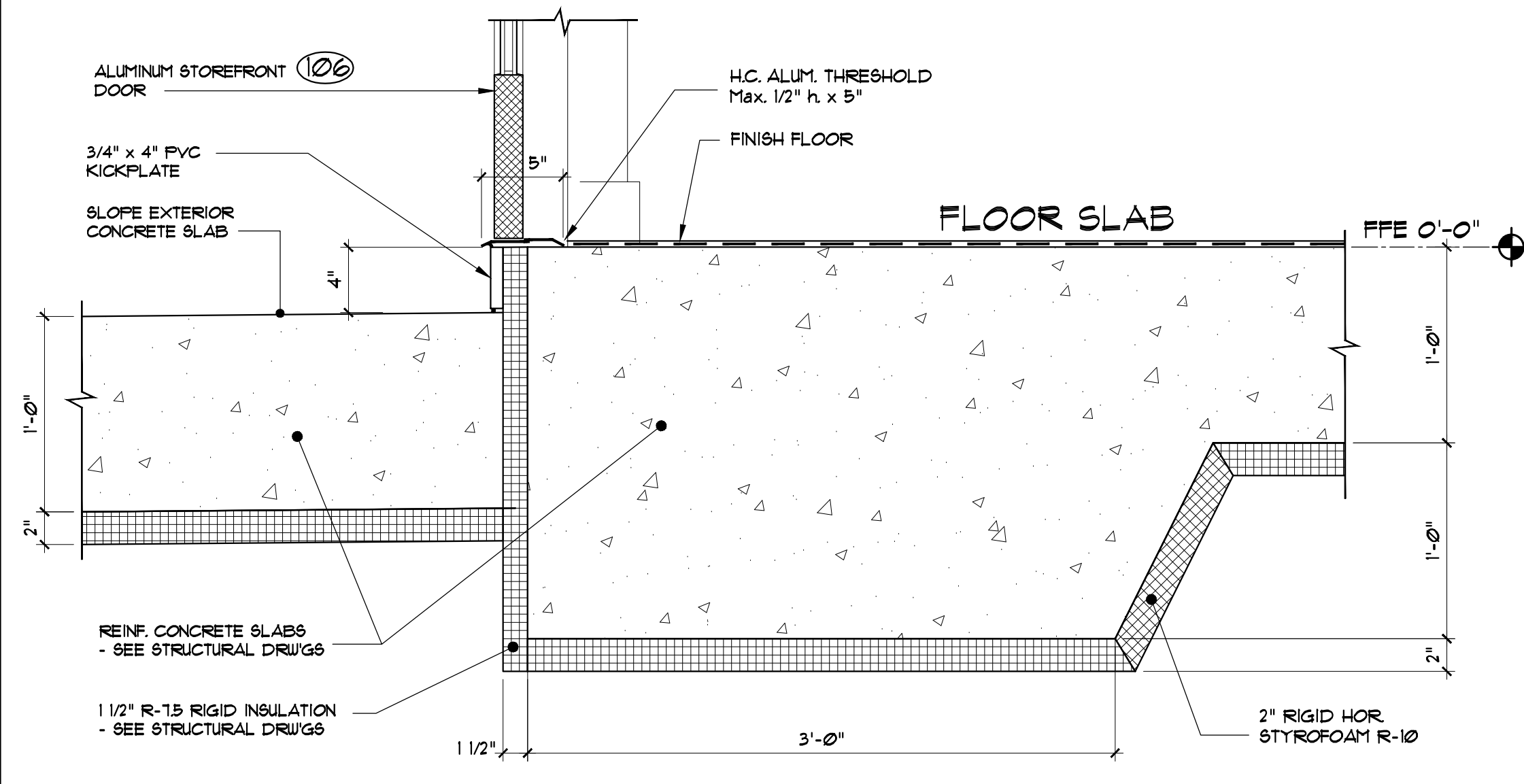
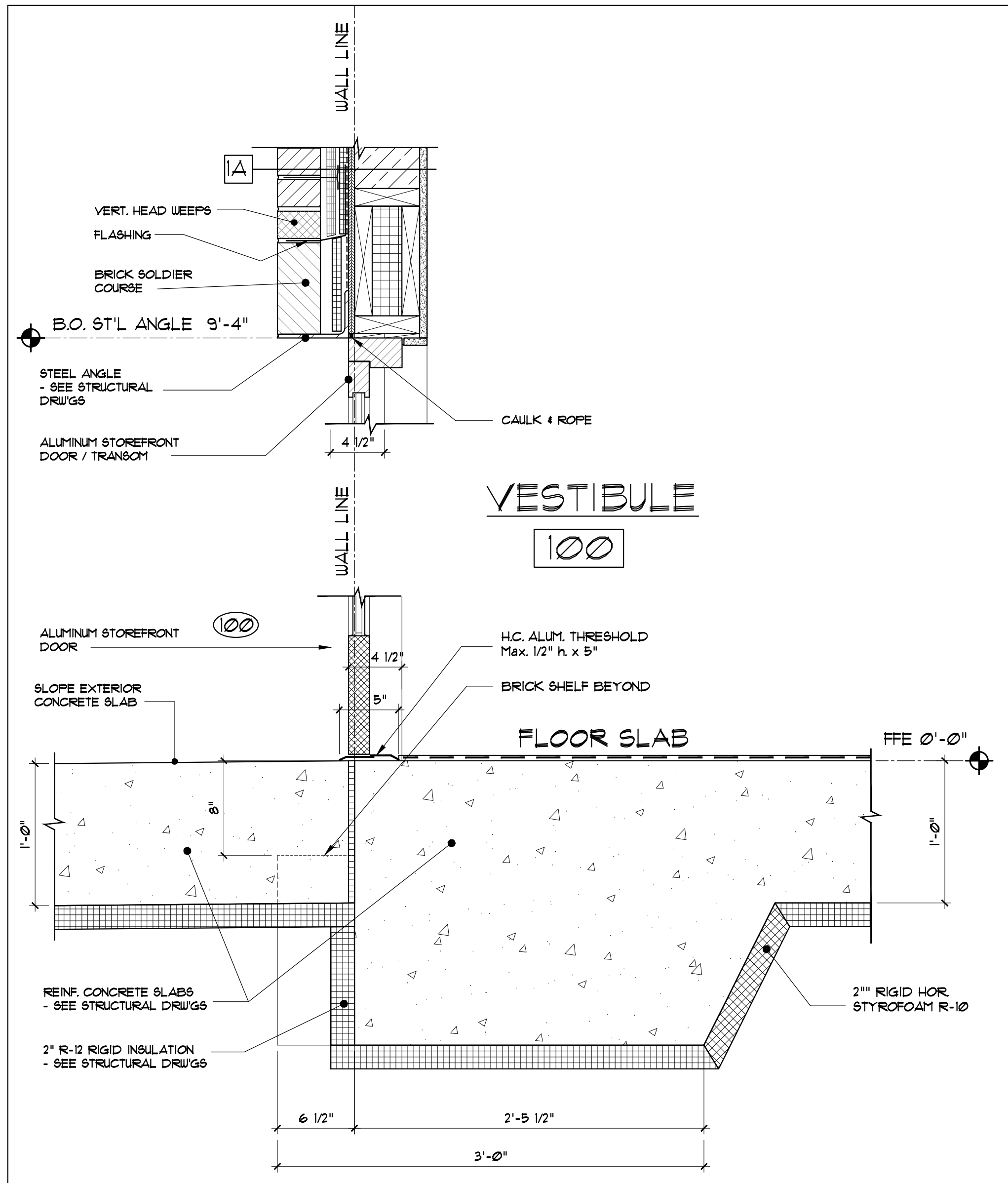


VESTIBULE
115

2 SILL / HEAD DETAIL @ DOOR #115
Scale: 1/2" = 1'-0"

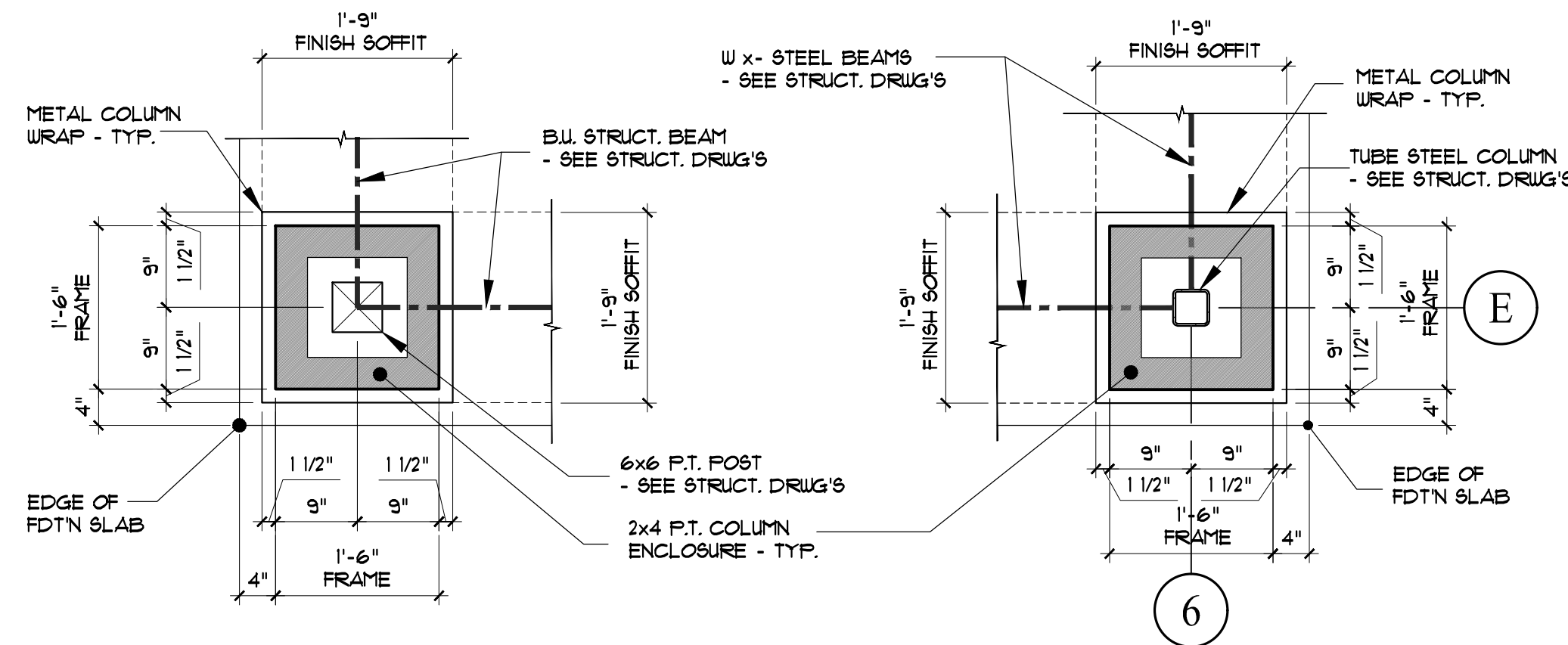


1 SILL / HEAD DETAIL @ DOOR #106
Scale: 1/2" = 1'-0"

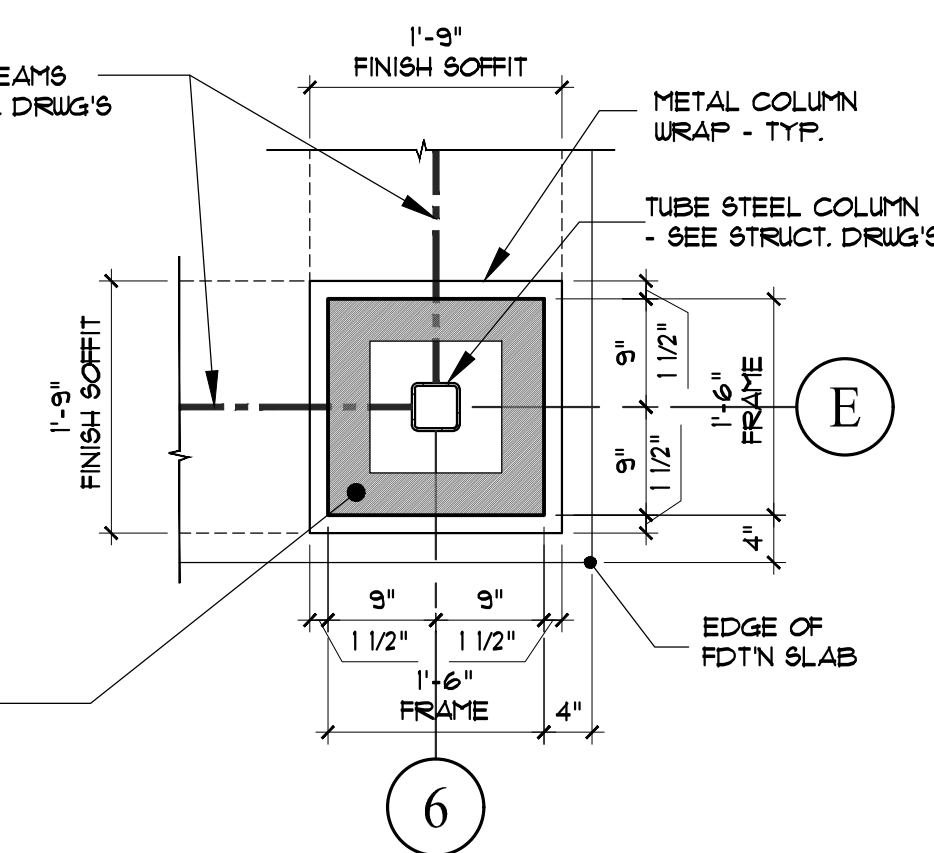


VESTIBULE
100

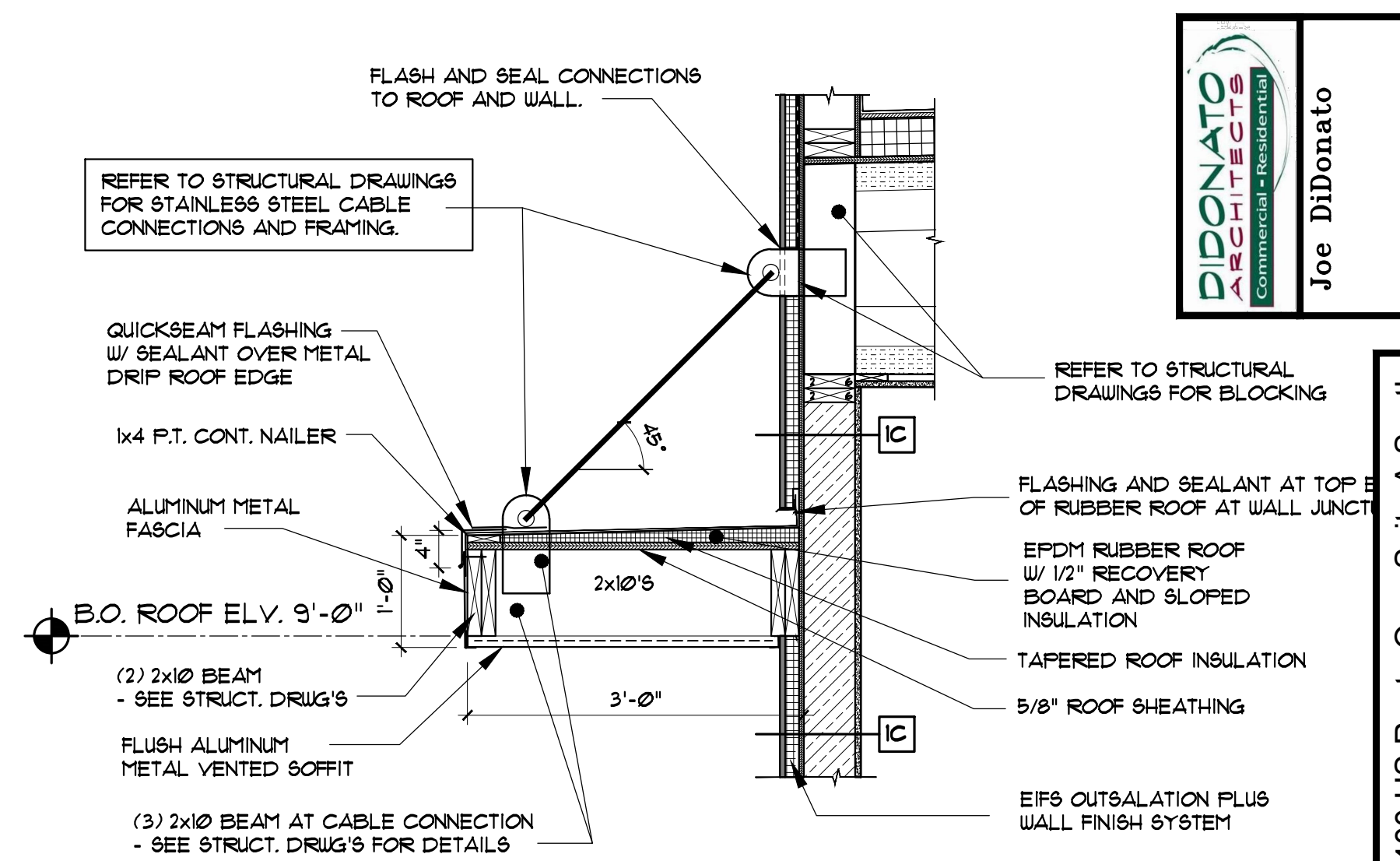
3 SILL / HEAD DETAIL @ DOOR #100
Scale: 1/2" = 1'-0"



4 COLUMN DETAIL
Scale: 3/4" = 1'-0"
(STREET ENTRANCE)

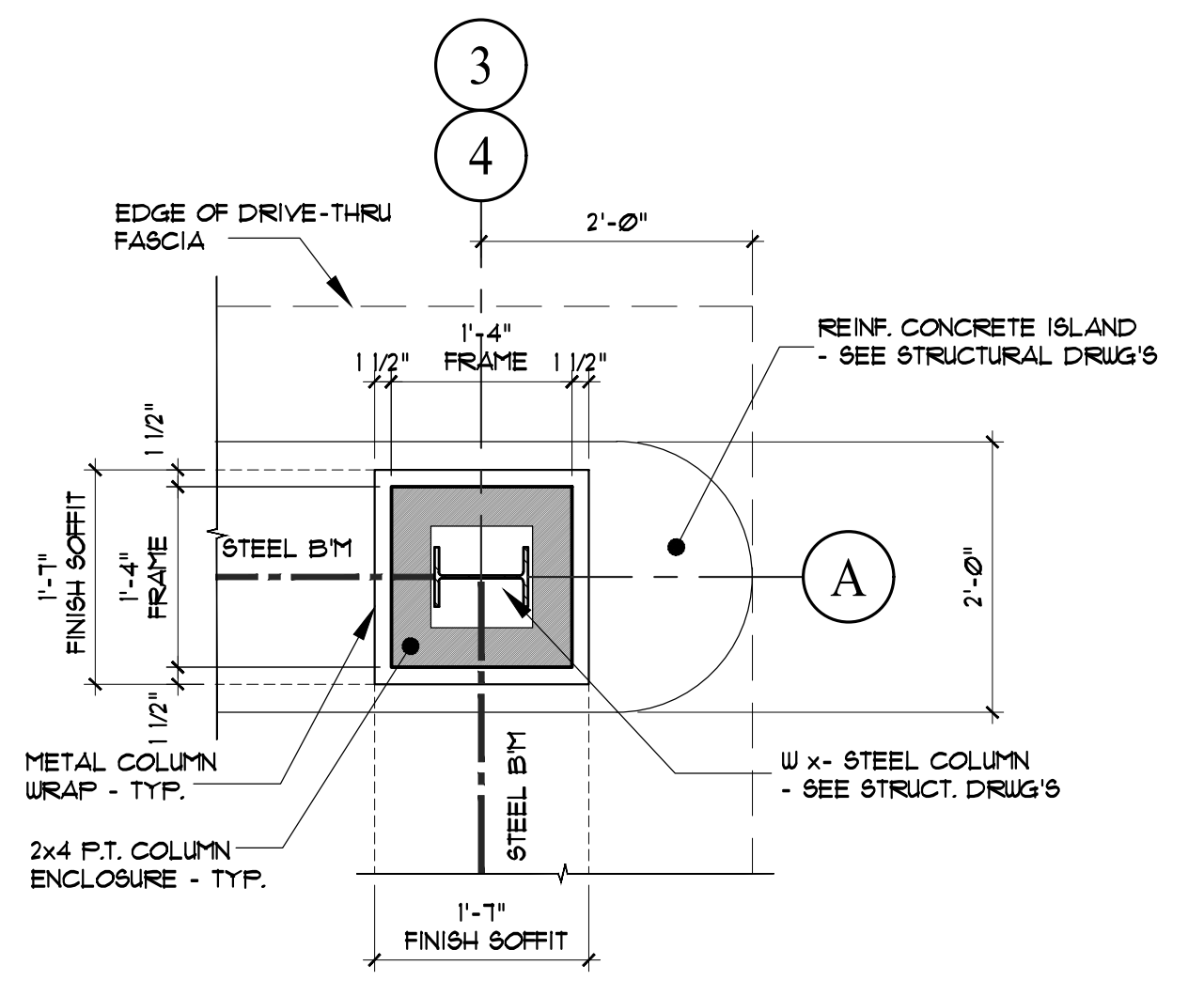


5 COLUMN DETAIL
Scale: 3/4" = 1'-0"
(MAIN ENTRANCE)



7 FLAT ROOF COVER @ ATM
SCALE: 1/2" = 1'-0"

99% PROGRESS SET 10-21-16



6 COLUMN DETAIL
Scale: 3/4" = 1'-0"
(DRIVE-THRU)

Rev. No.	Date	Description	Drawn by: JFD